



US00D736210S

(12) **United States Design Patent**  
**Paradise et al.**

(10) **Patent No.:** **US D736,210 S**

(45) **Date of Patent:** **\*\* Aug. 11, 2015**

(54) **DEVICE DOCK**

(71) Applicant: **Google Technology Holdings LLC**,  
Mountain View, CA (US)

(72) Inventors: **Michael F Paradise**, Chicago, IL (US);  
**Daniel T Berg**, Gilroy, CA (US); **Kent Campbell**,  
Chicago, IL (US); **Eric Dayringer**, Chicago, IL (US);  
**Ricky J Hoobler**, Lake Bluff, IL (US); **Dickon Isaacs**,  
Chicago, IL (US)

(73) Assignee: **Google Technology Holdings LLC**,  
Mountain View, CA (US)

(\*\*) Term: **14 Years**

(21) Appl. No.: **29/485,233**

(22) Filed: **Mar. 17, 2014**

(51) **LOC (10) Cl.** ..... **14-02**

(52) **U.S. Cl.**  
USPC ..... **D14/434**

(58) **Field of Classification Search**  
USPC ..... D14/432-434, 314, 204, 420, 421, 447,  
D14/217, 358, 138 R, 140, 142, 253;  
D13/107, 108, 146; D8/373;  
248/346.03, 176.1; 361/679.41,  
361/679.31, 679.32, 679.4, 679.43, 679.55,  
361/679.58, 679.33; 320/107, 109,  
320/112-115; 710/15, 303; 455/557;  
439/347, 534  
CPC ..... H02J 7/0042; H02J 7/00; H01R 31/065;  
H01M 10/44; F16M 11/10

See application file for complete search history.

(56) **References Cited**

U.S. PATENT DOCUMENTS

D460,971 S \* 7/2002 Sica et al. .... D14/434  
D621,347 S \* 8/2010 Aulwes et al. .... D13/108  
D687,437 S \* 8/2013 Hagenauer ..... D14/434

*Primary Examiner* — Freda S Nunn

(74) *Attorney, Agent, or Firm* — Finnegan, Henderson,  
Farabow, Garrett & Dunner, LLP

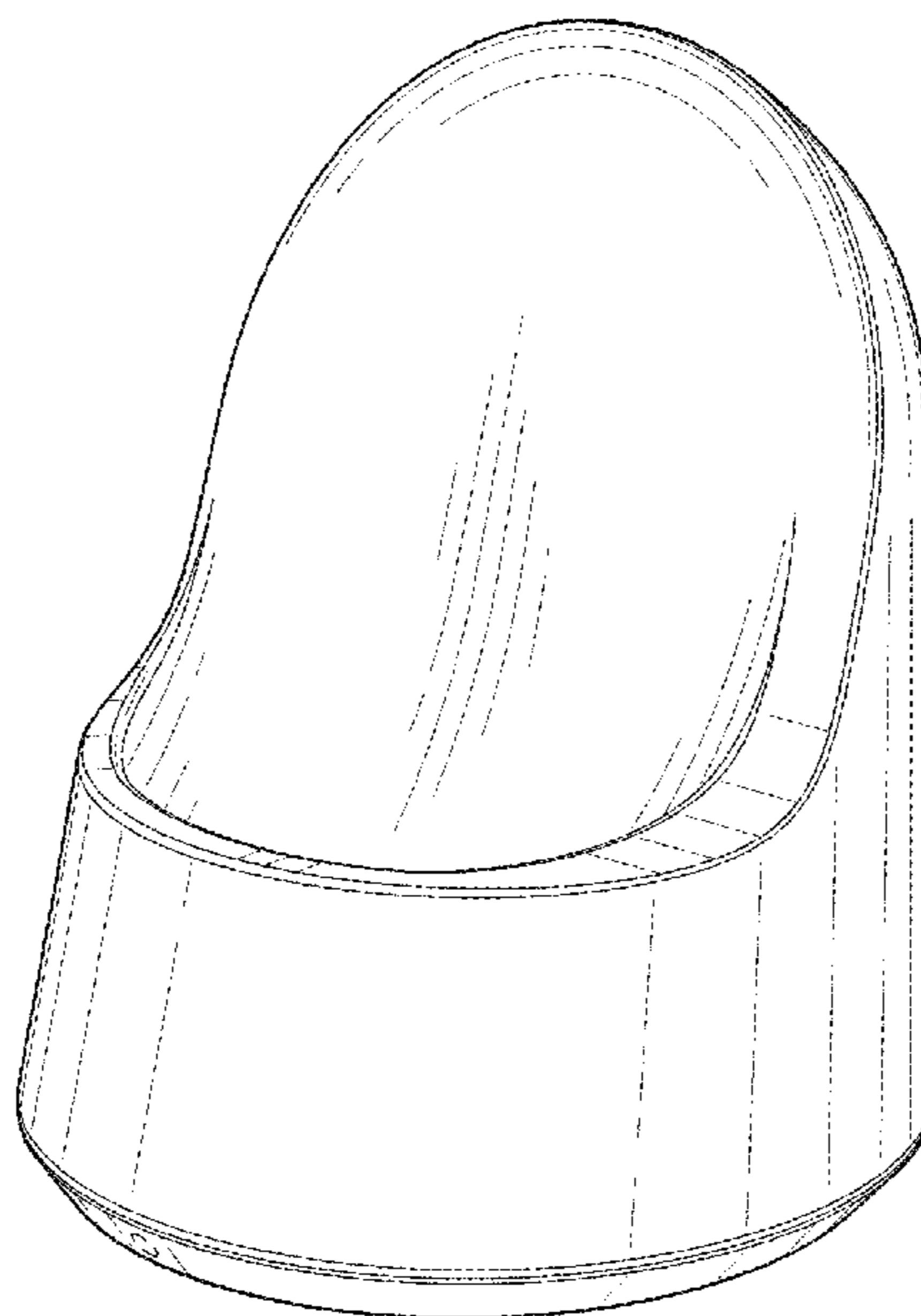
(57) **CLAIM**

The ornamental design for a device dock, as shown and  
described.

**DESCRIPTION**

FIG. 1 is a front perspective view of a first embodiment of an  
ornamental design for a device dock;  
FIG. 2 is a rear perspective view of the first embodiment  
thereof;  
FIG. 3 is a front view of the first embodiment thereof;  
FIG. 4 is a rear view of the first embodiment thereof;  
FIG. 5 is a first side view of the first embodiment thereof;  
FIG. 6 is a second side view of the first embodiment thereof;  
FIG. 7 is a top view of the first embodiment thereof; and  
FIG. 8 is a bottom view of the first embodiment thereof.  
FIG. 9 is a front perspective view of a second embodiment of  
an ornamental design for a device dock;  
FIG. 10 is a rear perspective view of the second embodiment  
thereof;  
FIG. 11 is a front view of the second embodiment thereof;  
FIG. 12 is a rear view of the second embodiment thereof;  
FIG. 13 is a first side view of the second embodiment thereof;  
FIG. 14 is a second side view of the second embodiment  
thereof;  
FIG. 15 is a top view of the second embodiment thereof; and,  
FIG. 16 is a bottom view of the second embodiment thereof.  
Broken lines shown in the drawings illustrate portions of the  
device dock and form no part of the claimed design.

**1 Claim, 14 Drawing Sheets**



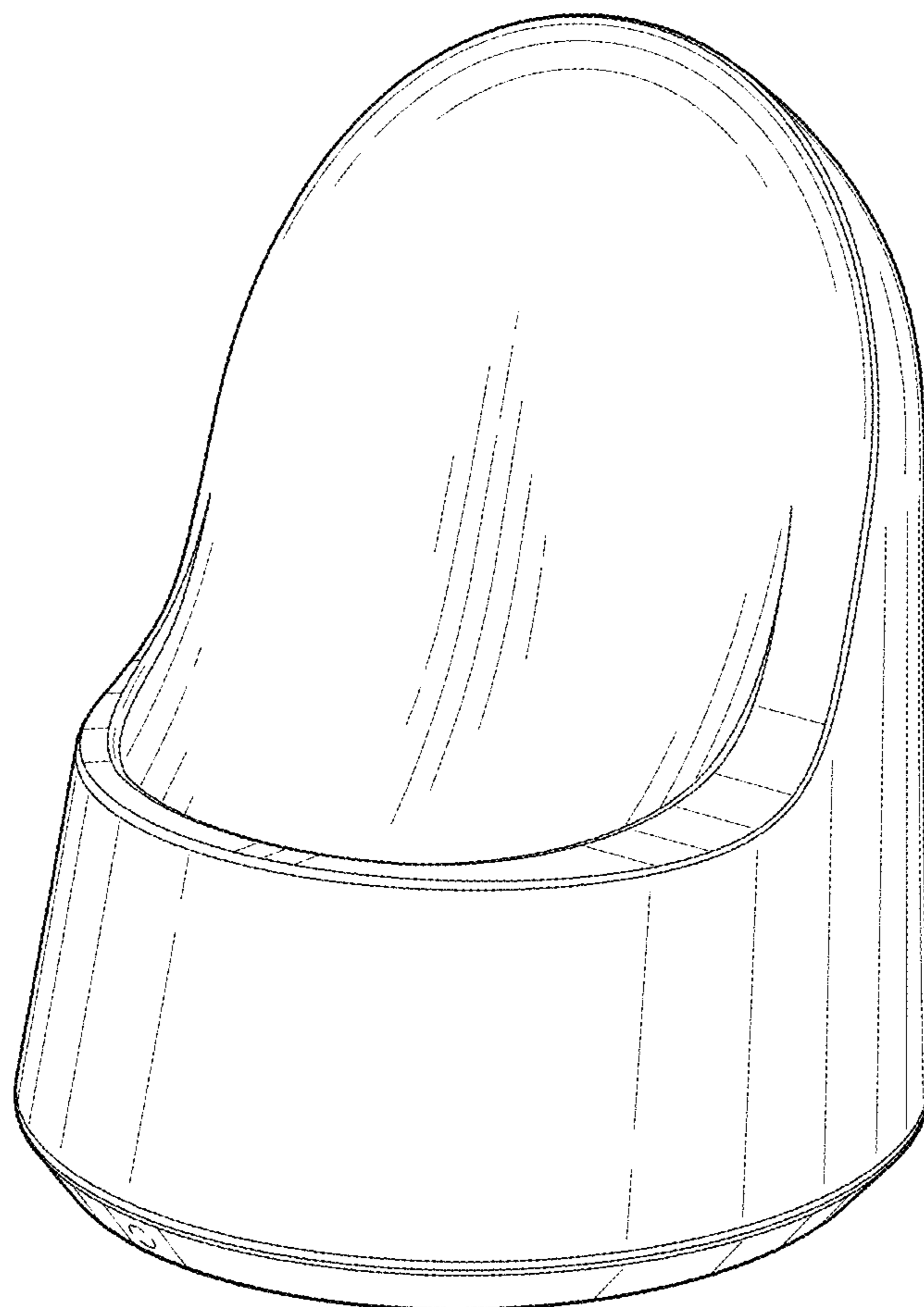


FIG. 1

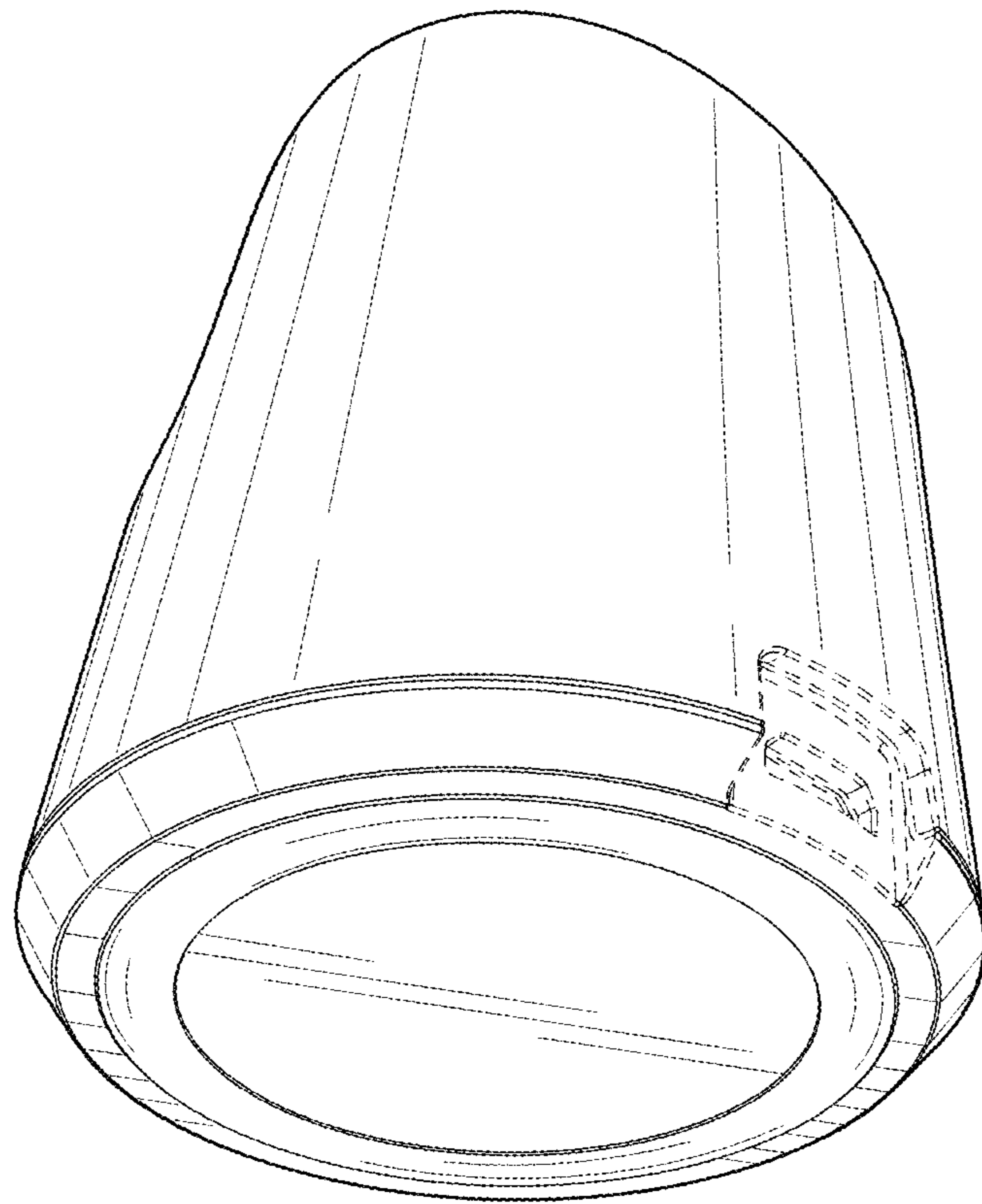


FIG. 2

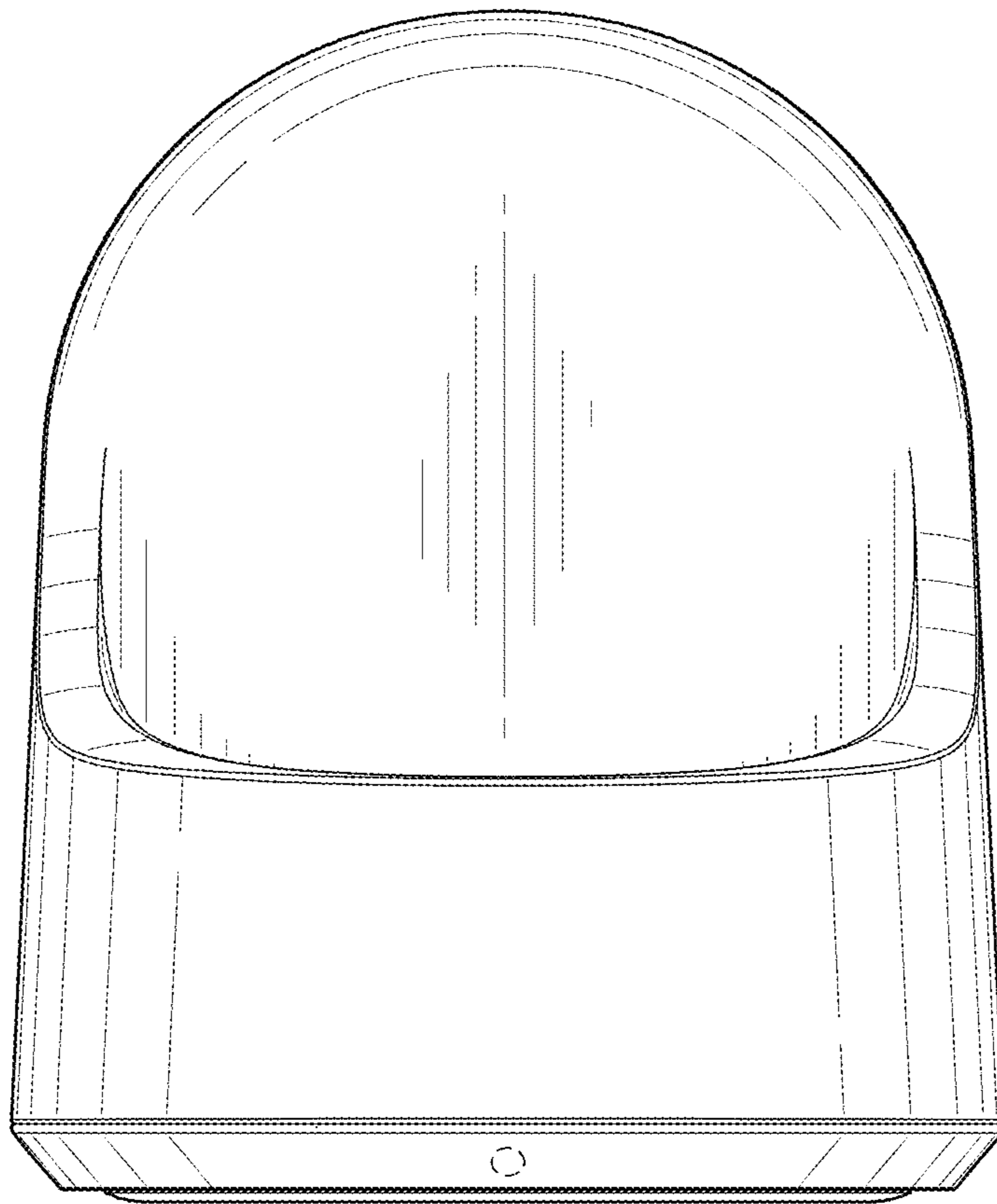


FIG. 3

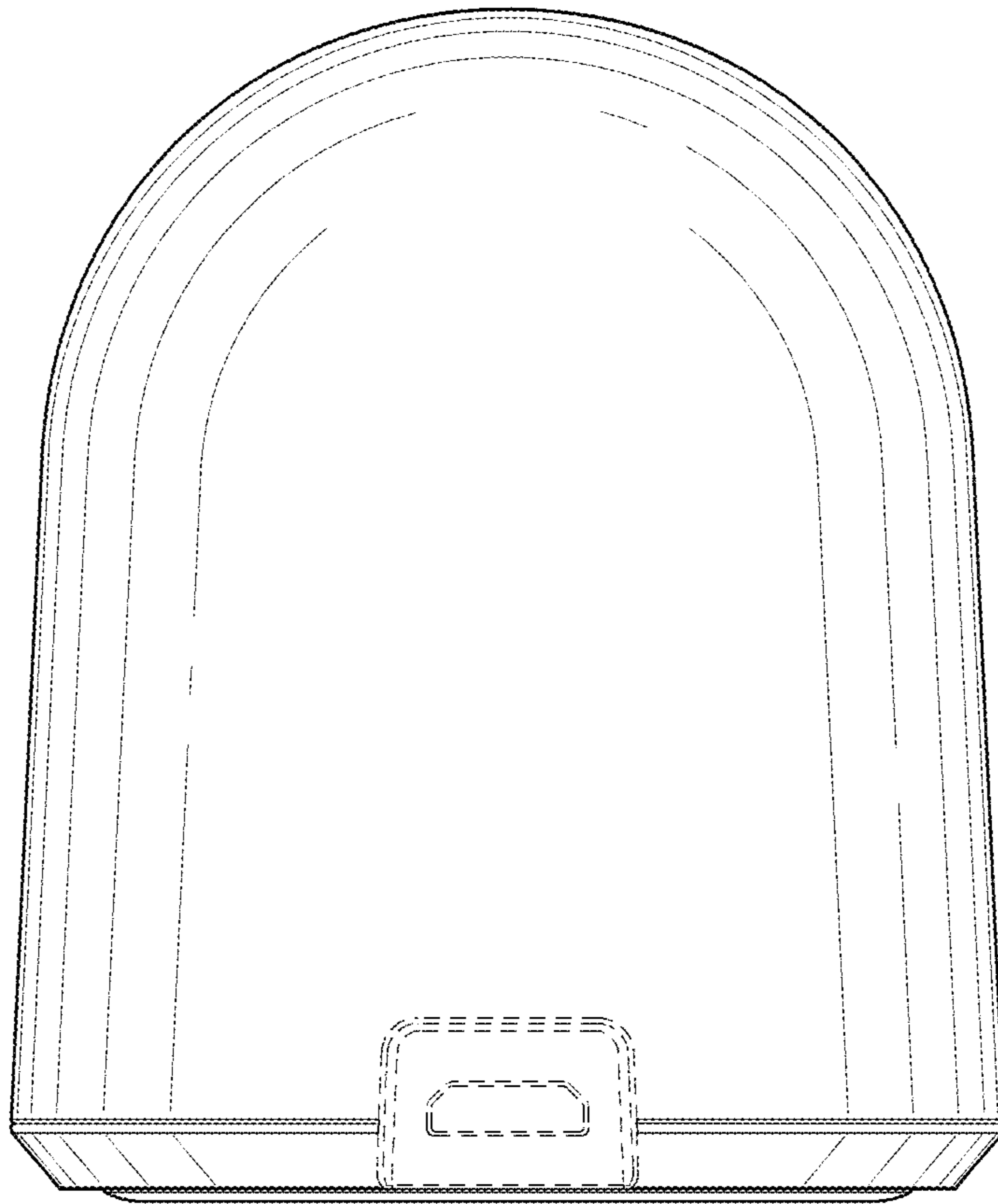


FIG. 4

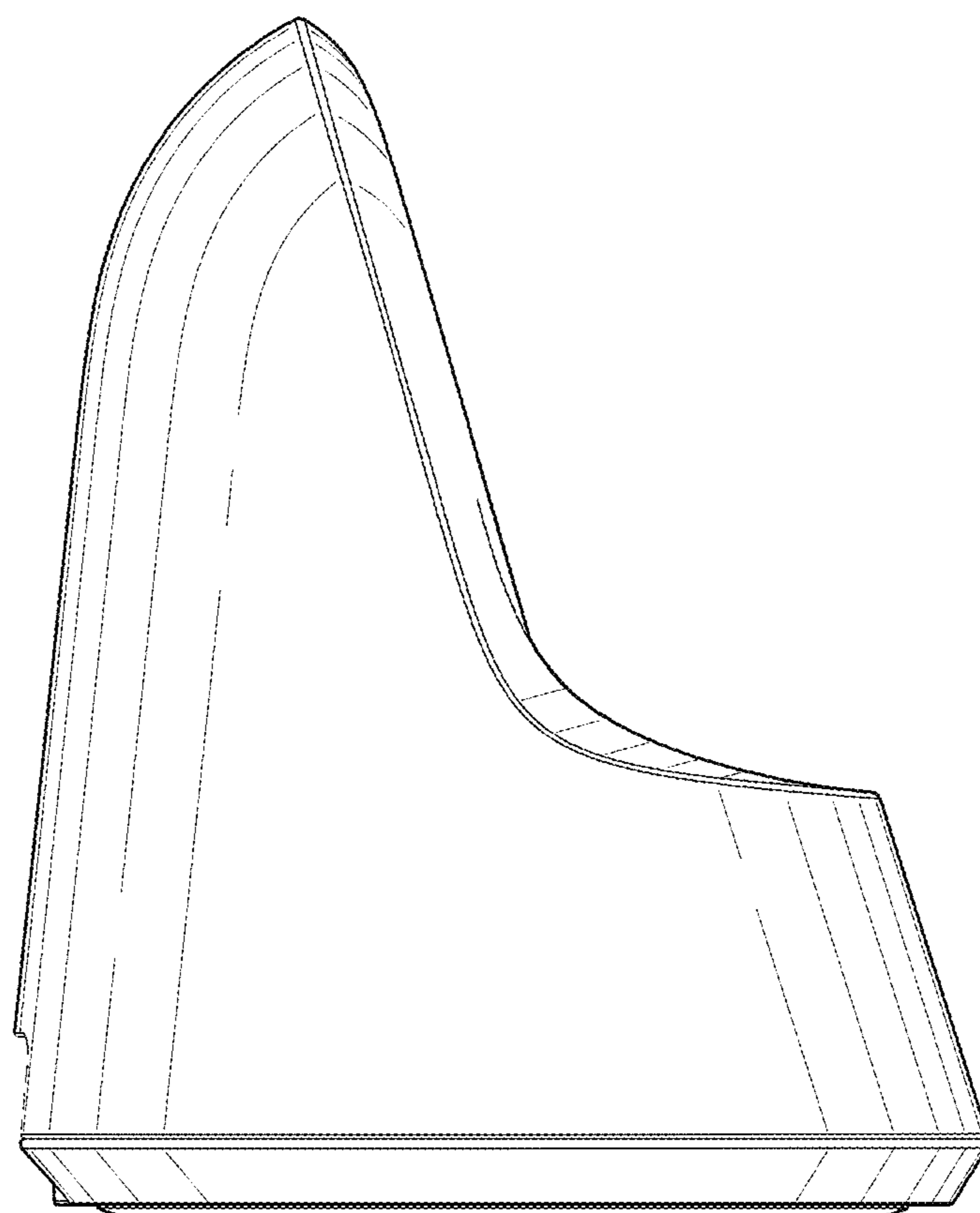


FIG. 5



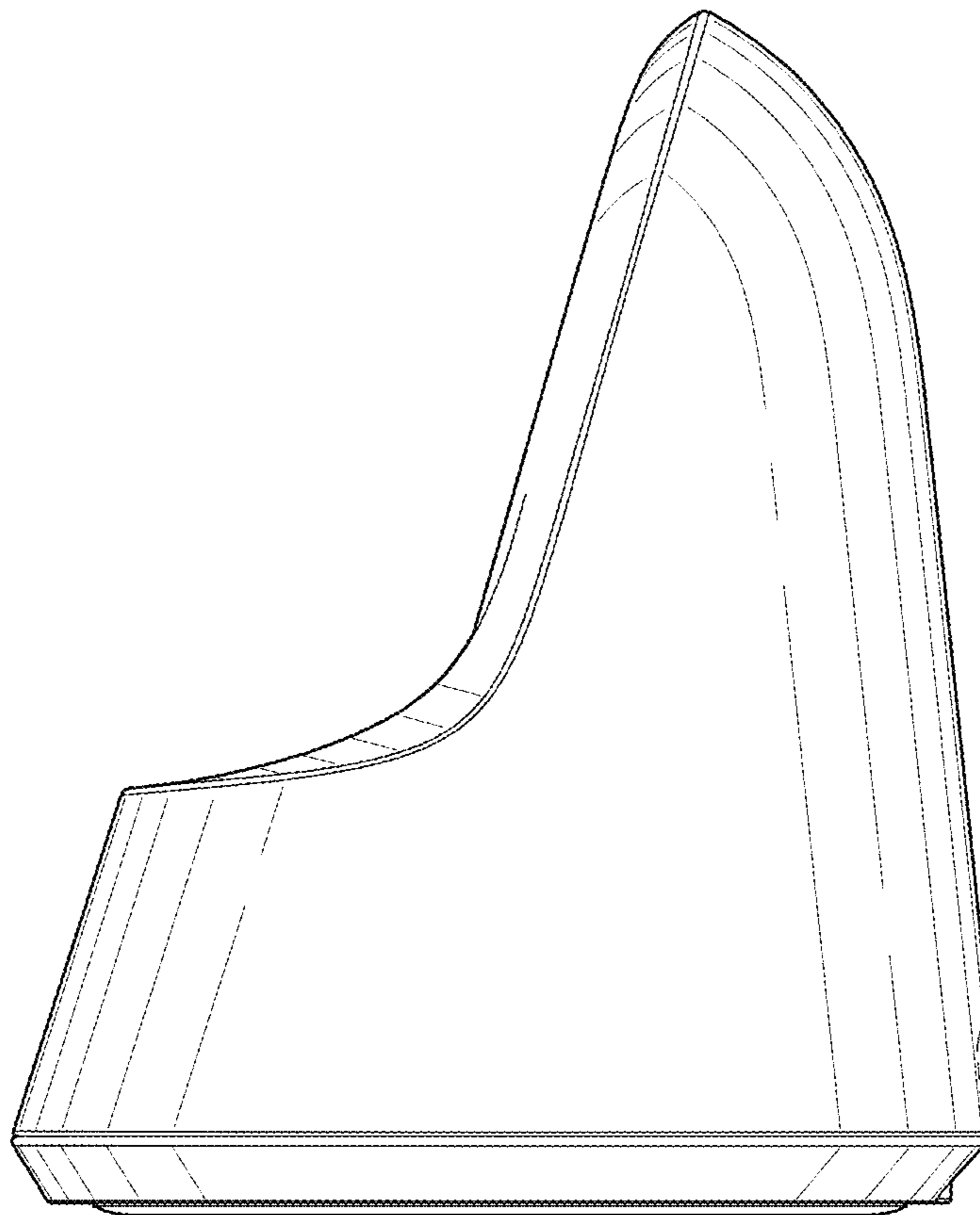


FIG. 6

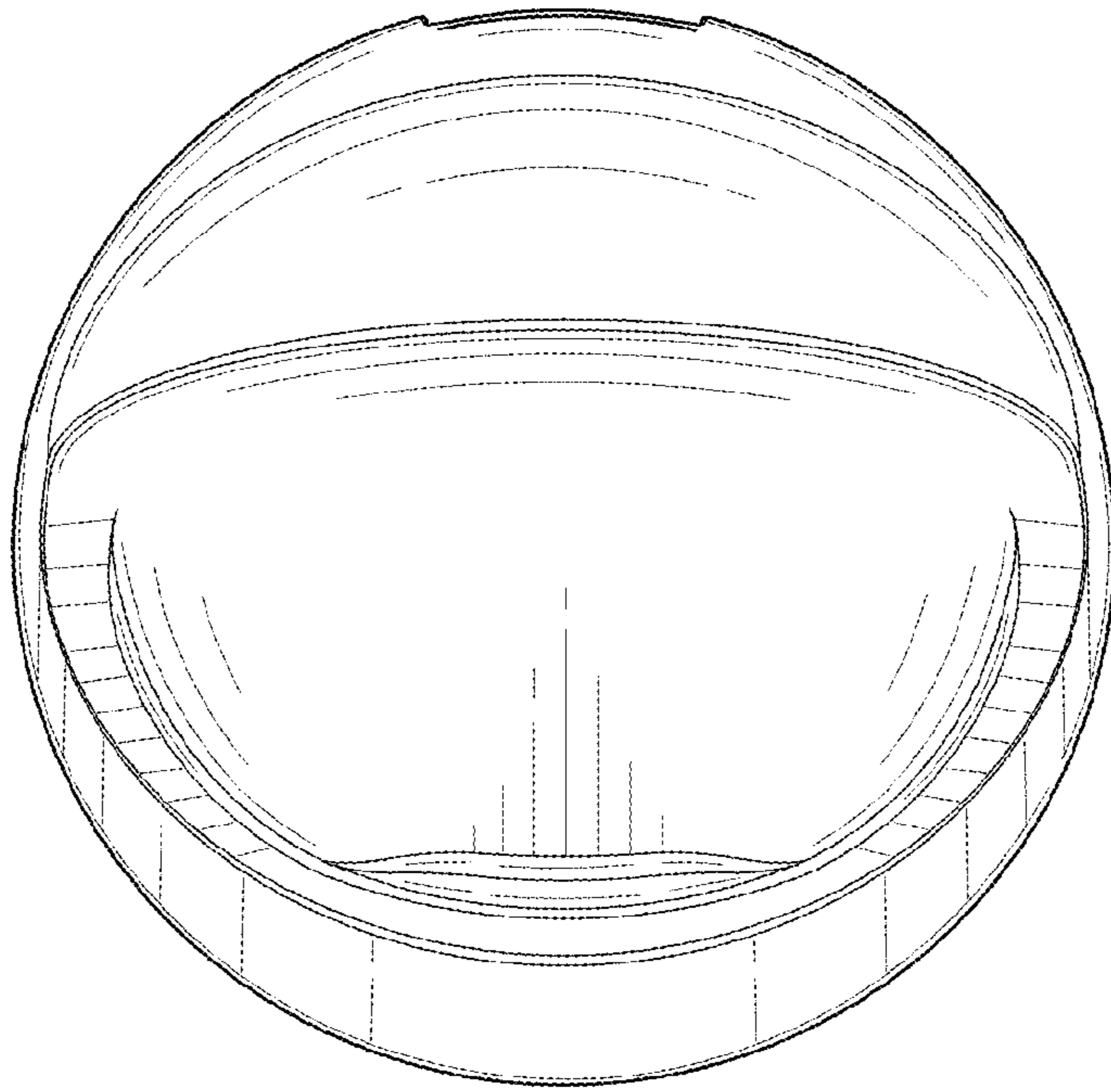


FIG. 7

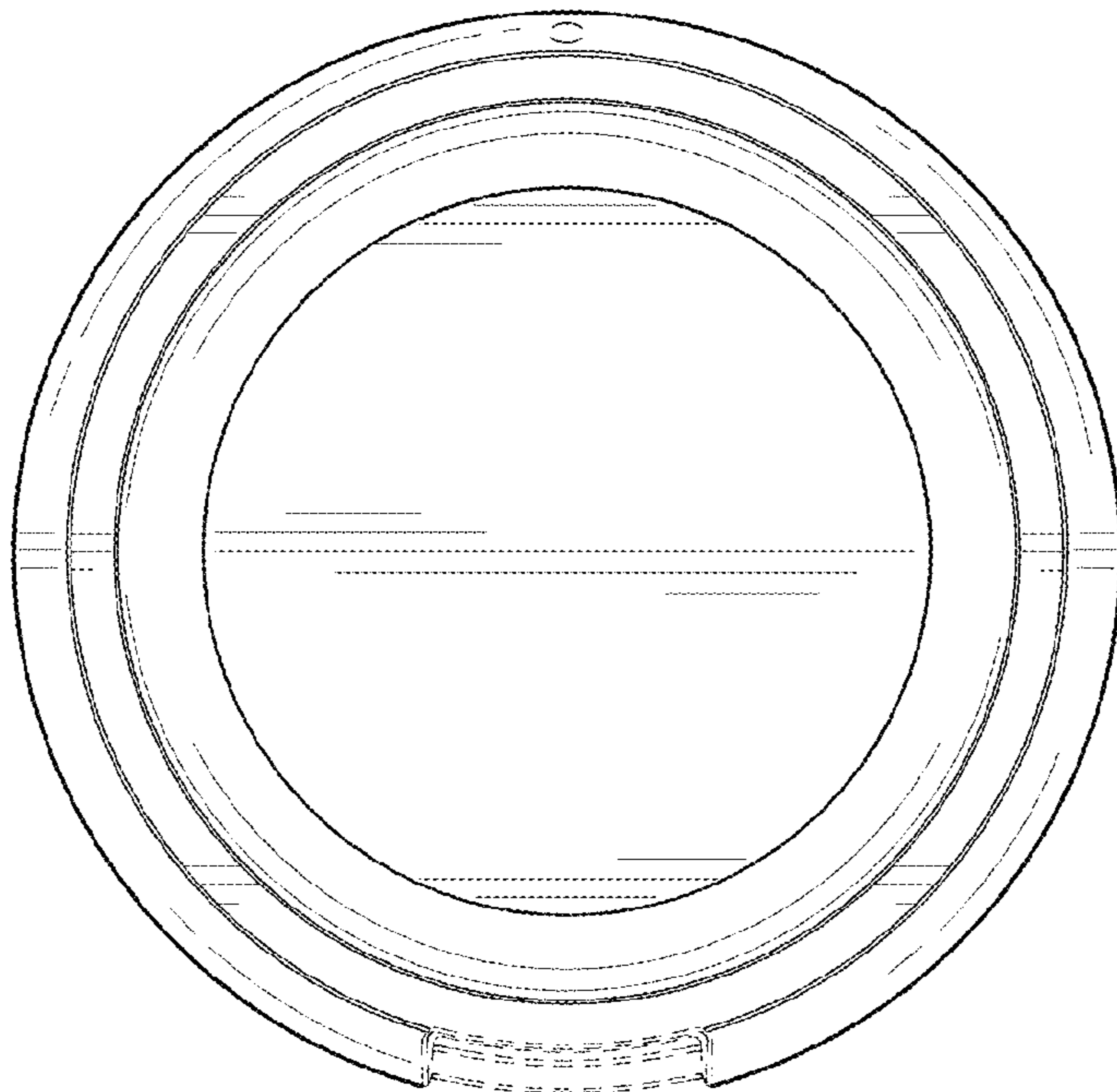


FIG. 8



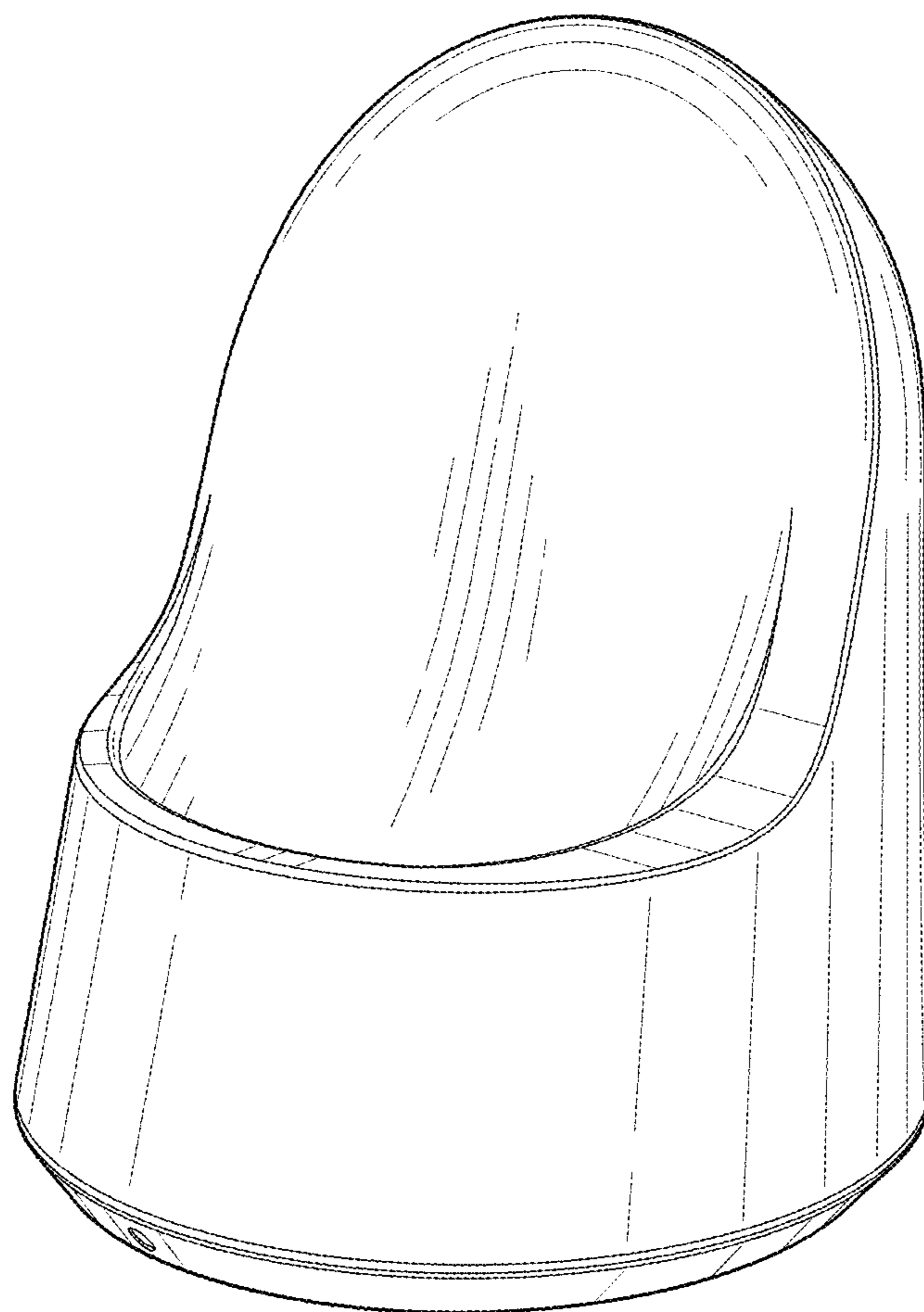


FIG. 9

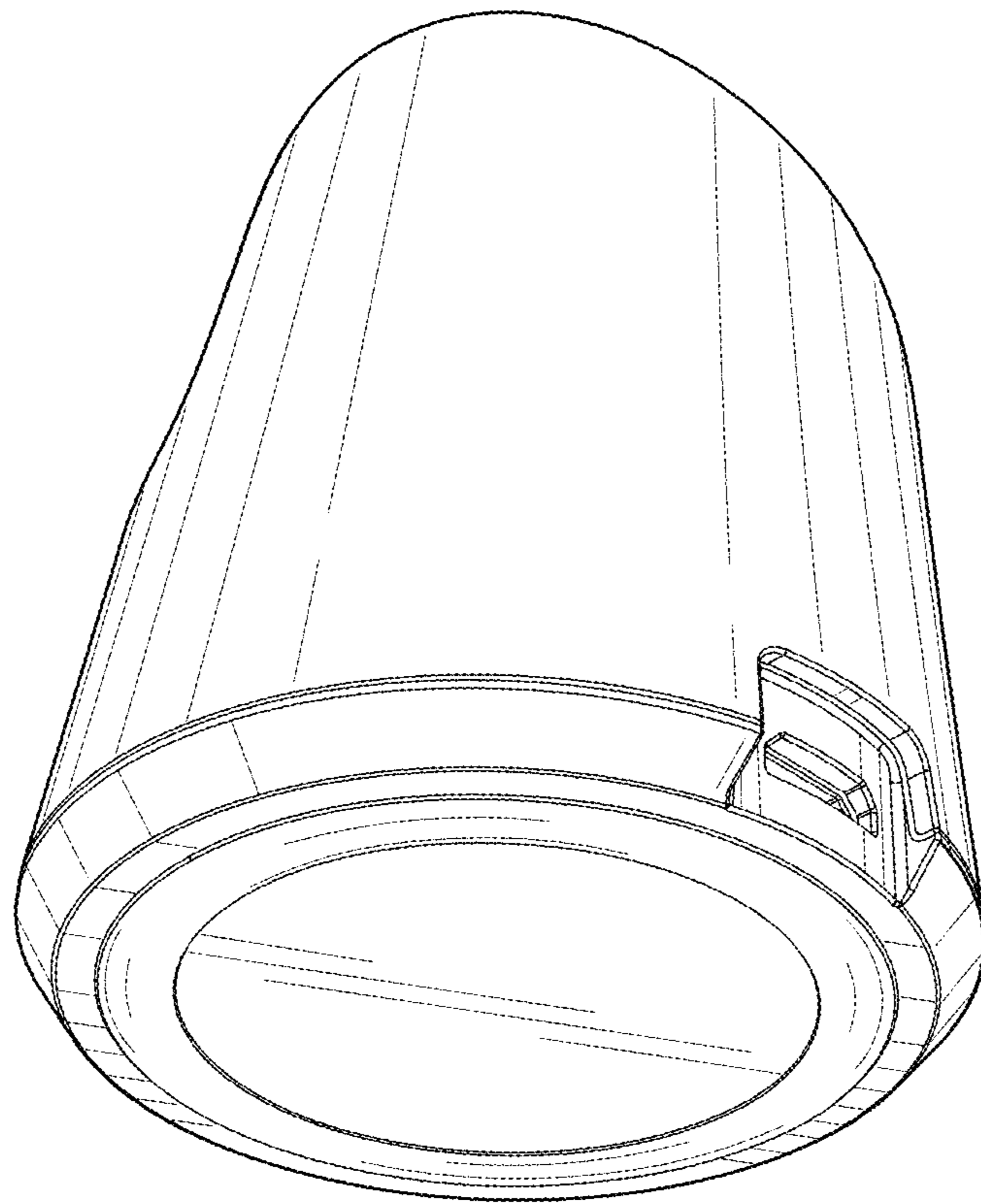


FIG. 10

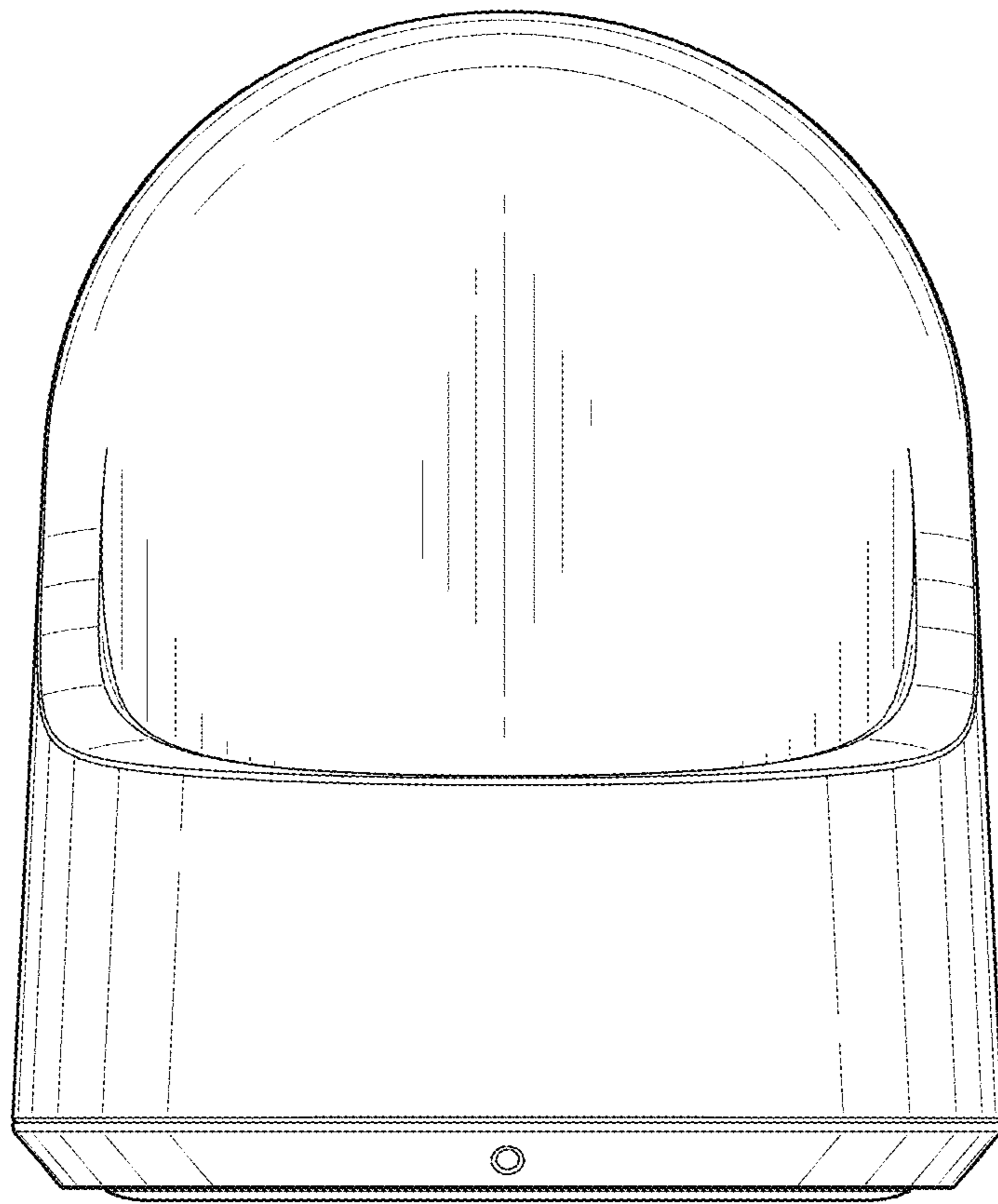


FIG. 11

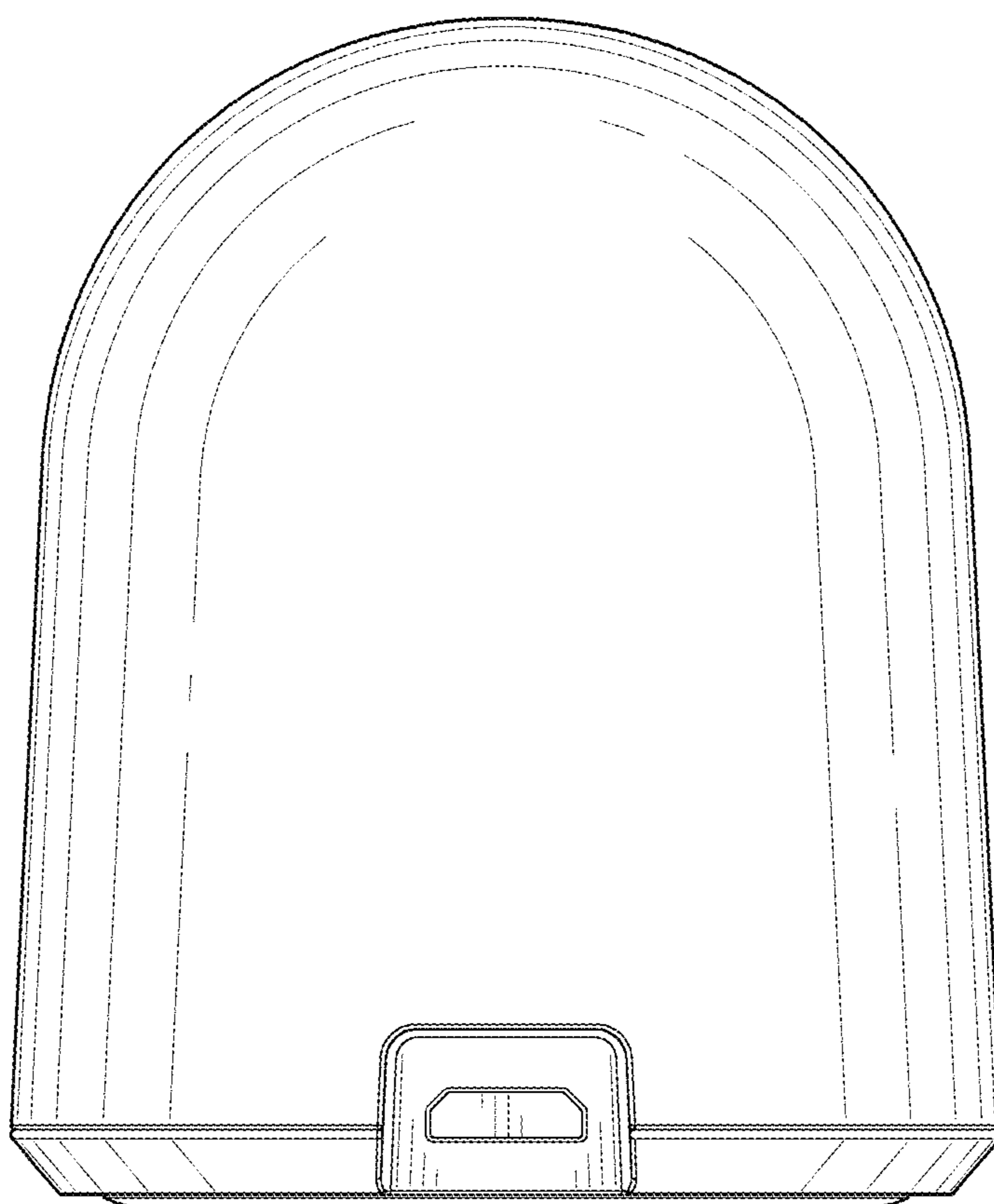


FIG. 12

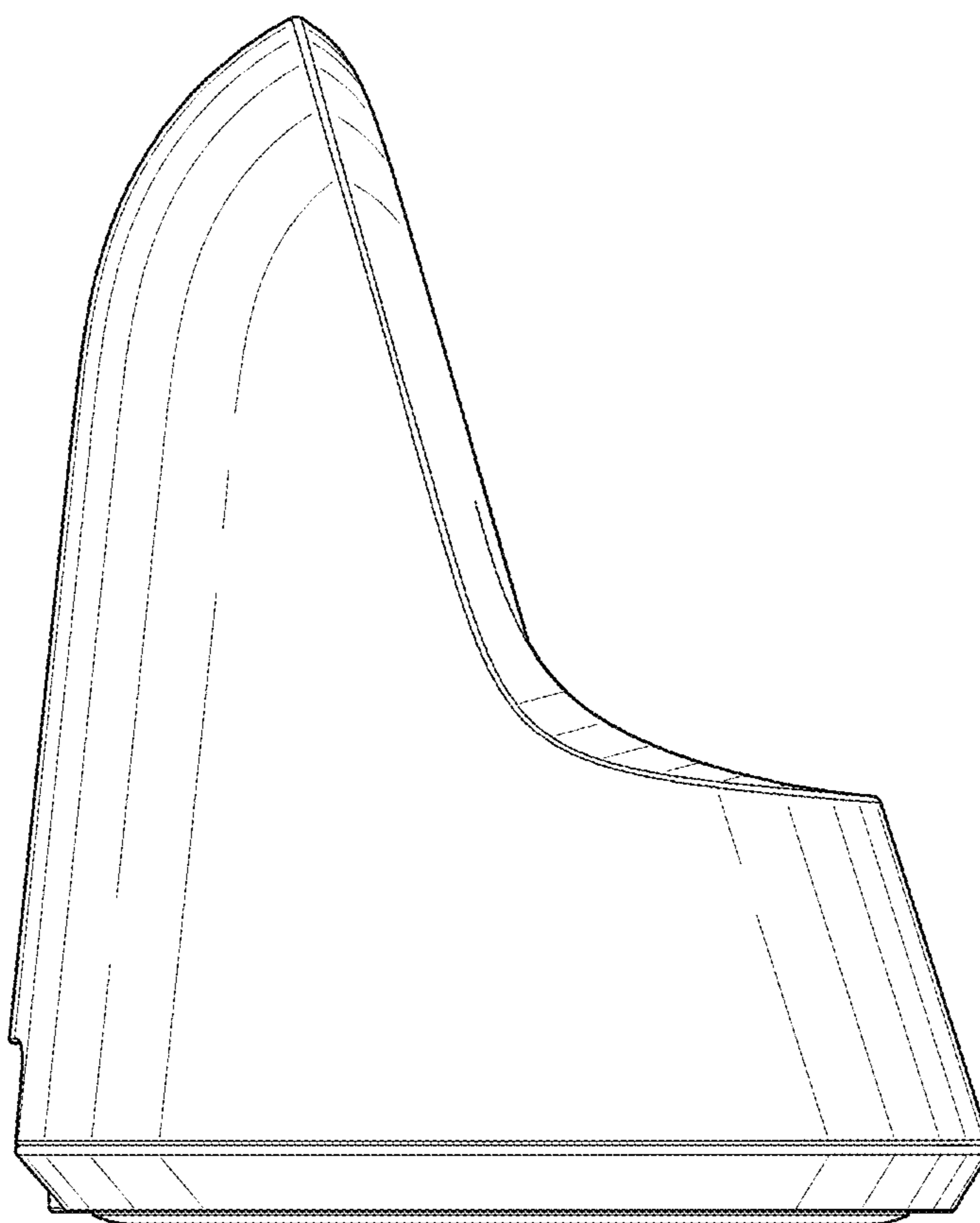


FIG. 13

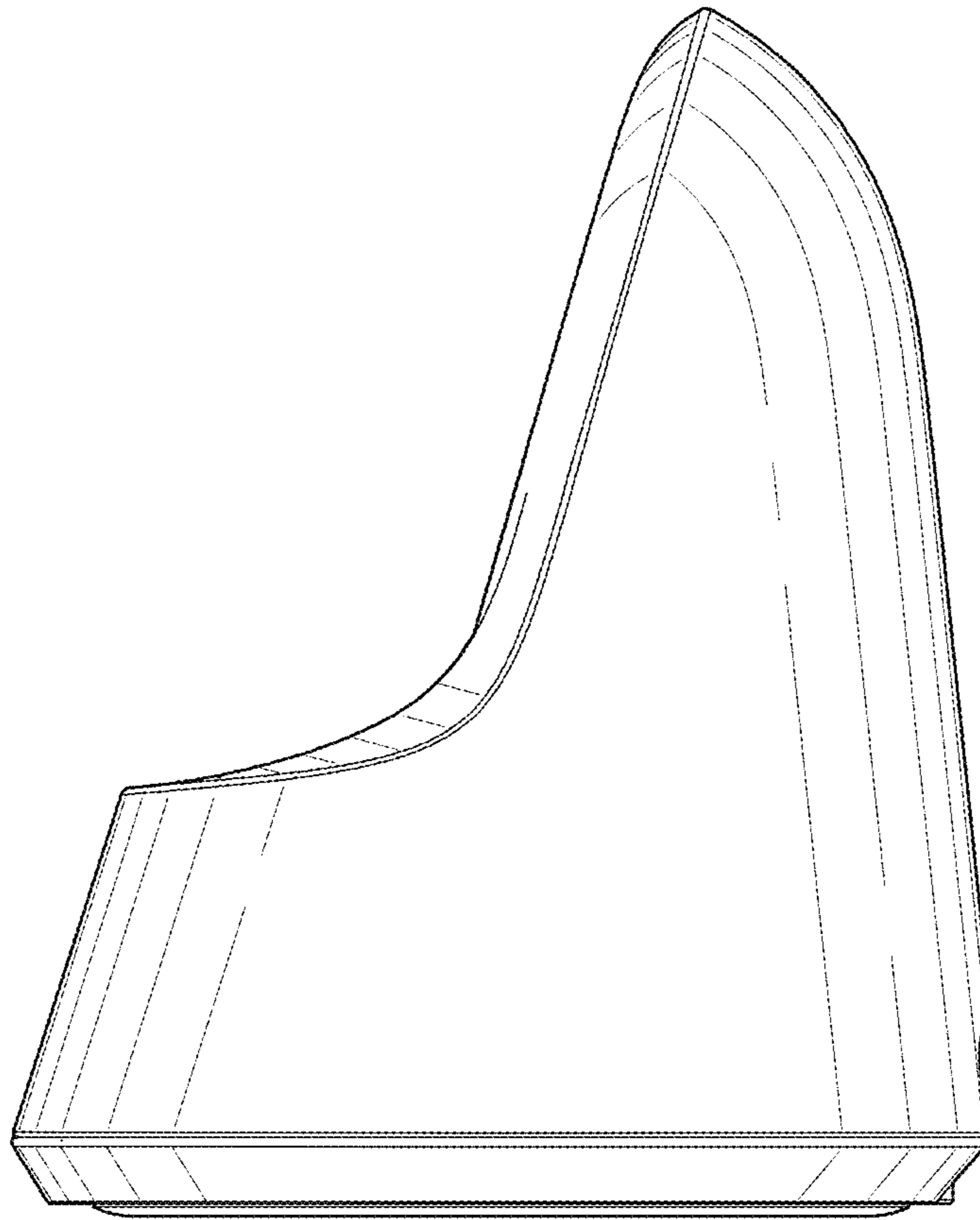


FIG. 14



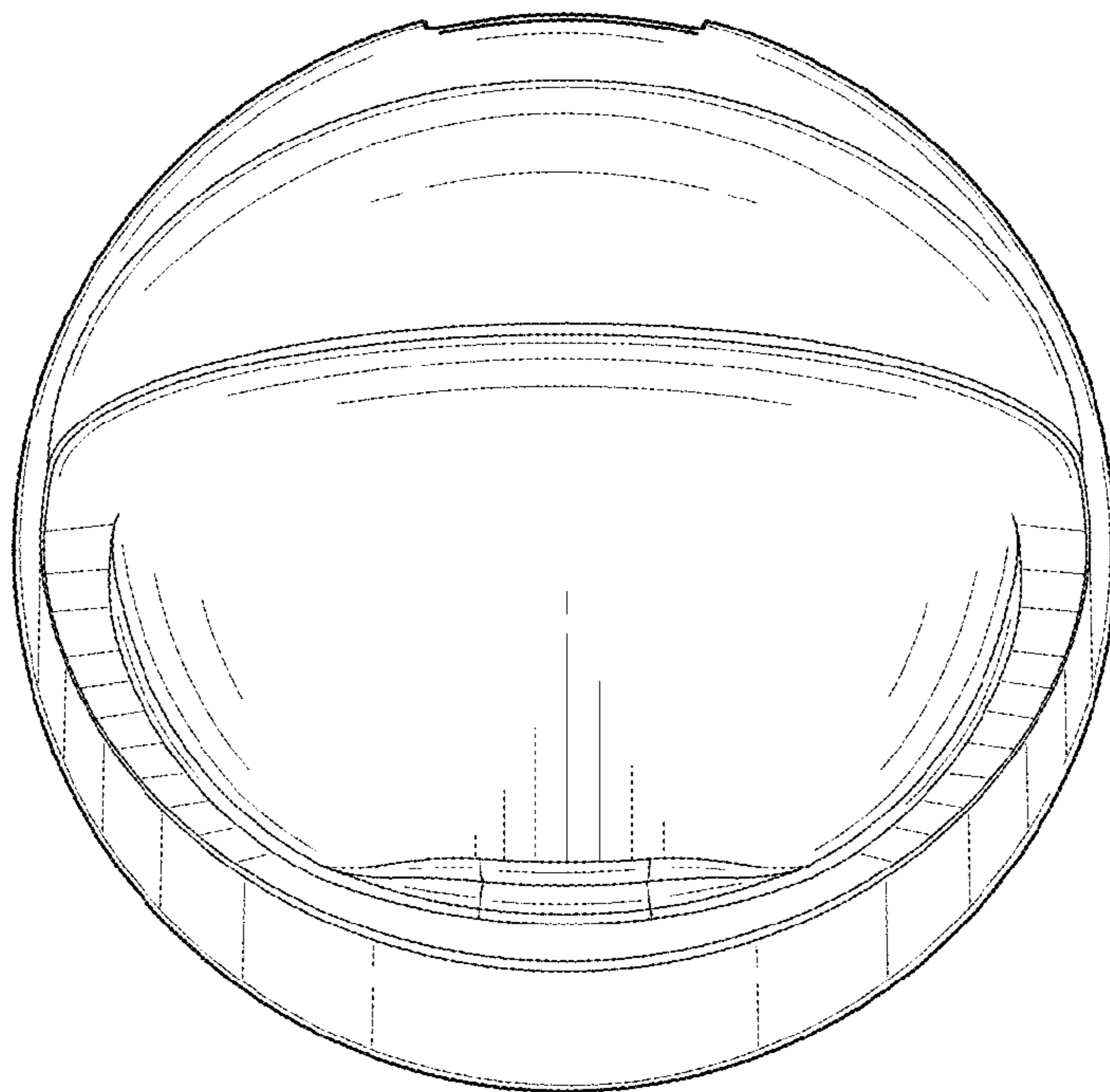


FIG. 15

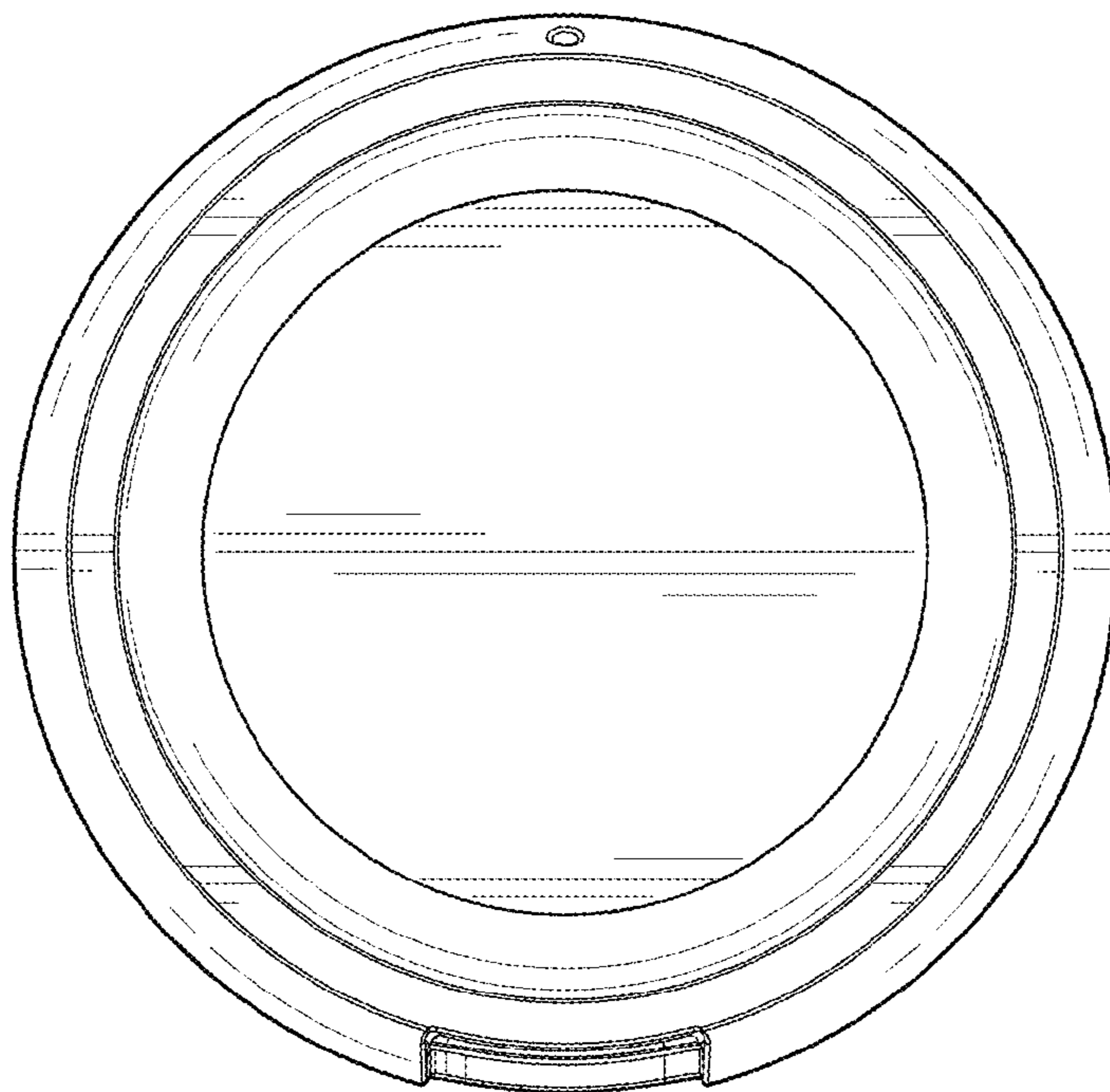


FIG. 16