



US00D736200S

(12) **United States Design Patent**  
**Kim**

(10) **Patent No.:** **US D736,200 S**  
(45) **Date of Patent:** **\*\* Aug. 11, 2015**

- (54) **NOTEBOOK COMPUTER**
- (71) Applicant: **Samsung Electronics Co., Ltd.**,  
Suwon-si (KR)
- (72) Inventor: **Ik-Sang Kim**, Seoul (KR)
- (73) Assignee: **SAMSUNG ELECTRONICS CO., LTD.**, Suwon-Si (KR)
- (\*\*) Term: **14 Years**
- (21) Appl. No.: **29/487,050**
- (22) Filed: **Apr. 4, 2014**

- 7,164,578 B2 1/2007 Wang et al.
- D615,539 S 5/2010 Jen
- D631,472 S 1/2011 Kawase et al.
- D633,488 S 3/2011 Kim et al.
- D649,543 S 11/2011 Tseng et al.
- D651,597 S 1/2012 Lee et al.
- D652,415 S 1/2012 Lee et al.
- D652,417 S 1/2012 Lee et al.
- D664,536 S 7/2012 Lee et al.
- D664,538 S 7/2012 Ryu et al.
- D671,539 S 11/2012 Kim et al.
- D673,556 S 1/2013 Tseng et al.
- D676,040 S 2/2013 McManigal et al.
- D676,042 S 2/2013 McManigal et al.

(Continued)

**Related U.S. Application Data**

- (63) Continuation of application No. 29/440,642, filed on Dec. 24, 2012, now Pat. No. Des. 704,699.

**Foreign Application Priority Data**

- (30) Jul. 6, 2012 (KR) ..... 30-2012-0033086

- (51) **LOC (10) Cl.** ..... **14-02**

- (52) **U.S. Cl.**  
USPC ..... **D14/315**

- (58) **Field of Classification Search**  
USPC ..... D14/315-327; D18/1, 2, 7, 11;  
235/145 A, 145 R; 341/22, 23; 345/104,  
345/156, 168, 169, 173; 361/679.06,  
361/679.08, 679.09, 679.11, 679.26,  
361/679.27; 16/367  
CPC ..... G06F 1/1679  
See application file for complete search history.

(56) **References Cited**

**U.S. PATENT DOCUMENTS**

- 6,714,403 B2 3/2004 Furuki et al.
- 6,771,494 B2 \* 8/2004 Shimano ..... 361/679.06
- 6,785,128 B1 \* 8/2004 Yun ..... 361/679.27
- 6,872,088 B2 \* 3/2005 Watanabe ..... 439/165

**OTHER PUBLICATIONS**

A Touch of innovation Source: <http://www.vizio.com/thin-light/features> Date Accessed: Apr. 22, 2014.

(Continued)

*Primary Examiner* — Freda S Nunn

(74) *Attorney, Agent, or Firm* — McAndrews Held & Malloy, Ltd.

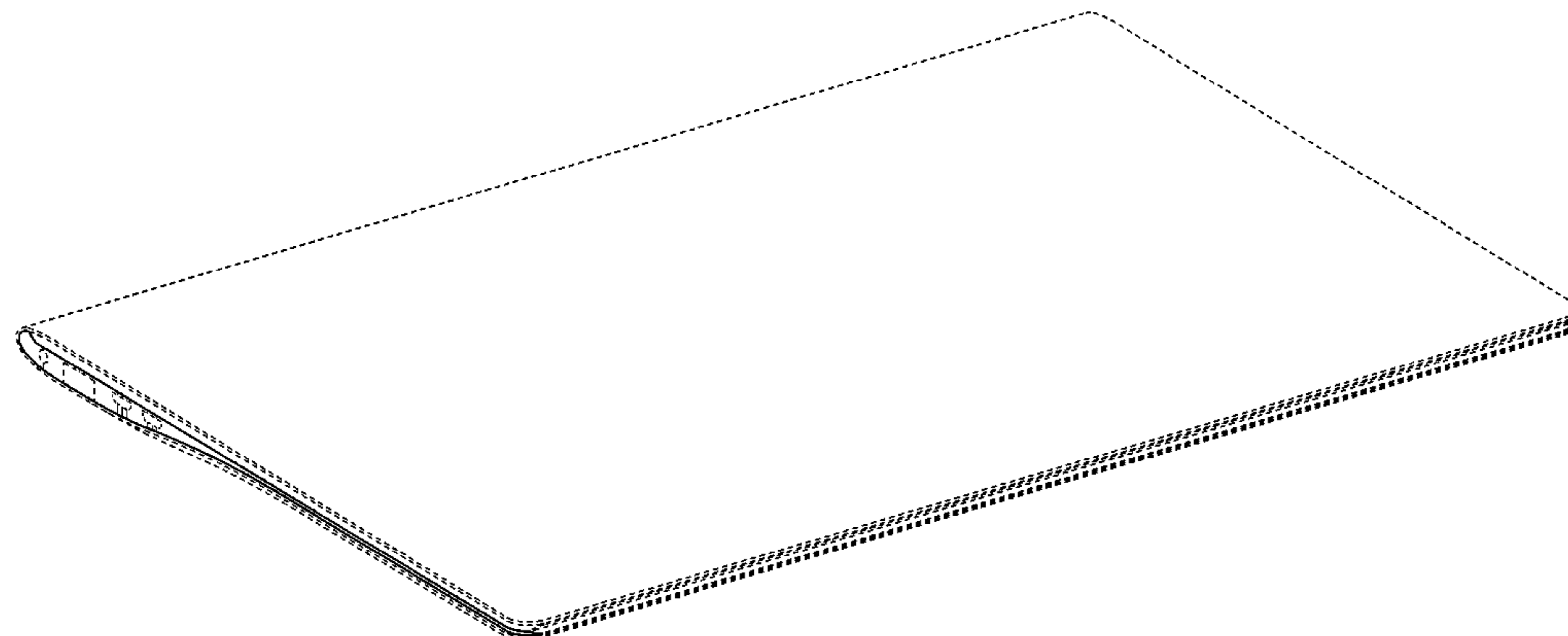
(57) **CLAIM**

The ornamental design for a notebook computer, as shown and described.

**DESCRIPTION**

FIG. 1 is a front perspective view of a notebook computer showing our new design;  
 FIG. 2 is a front view thereof;  
 FIG. 3 is a rear view thereof;  
 FIG. 4 is a left-side view thereof;  
 FIG. 5 is a right-side view thereof;  
 FIG. 6 is a top plan view thereof; and,  
 FIG. 7 is a bottom plan view thereof.  
 The broken lines in the figures show portions of the notebook computer which form no part of the claimed design.

**1 Claim, 5 Drawing Sheets**



(56)

**References Cited**

U.S. PATENT DOCUMENTS

D681,629 S 5/2013 Lin et al.  
D682,820 S 5/2013 McManigal et al.  
2005/0063145 A1 3/2005 Homer et al.  
2005/0083644 A1 4/2005 Song  
2006/0038795 A1 2/2006 Lee

OTHER PUBLICATIONS

The MSI X-Slim X600 Pro Shattering the boundaries of ultra-thin technology: indulge in the liberation of urban fashion & entertain-

ment Source: <http://www.msi.com/news/900.html> Date Accessed: Apr. 22, 2014.

ASUS U82U 14-inch ultra-thin laptop Source: <http://www.technotalks.com/reviews/asus-u82u-14-inch-ultra-thin-laptop-review/> Date Accessed: Apr. 22, 2014.

All VAIO Pro Ultrabooks Source: <http://store.sony.com/all-vaio-pro-ultrabooks/cat-27-catid-All-Ultrabook-Pro> Date Accessed: Apr. 22, 2014.

Vizio, Thin + Light Internet Webpage <http://web.archive.org/web/20121031103342/http://www.vizio.com/thin-light/features> Access Date: Sep. 26, 2014 (Purported Publication Date: Oct. 31, 2012).

\* cited by examiner

FIG. 1

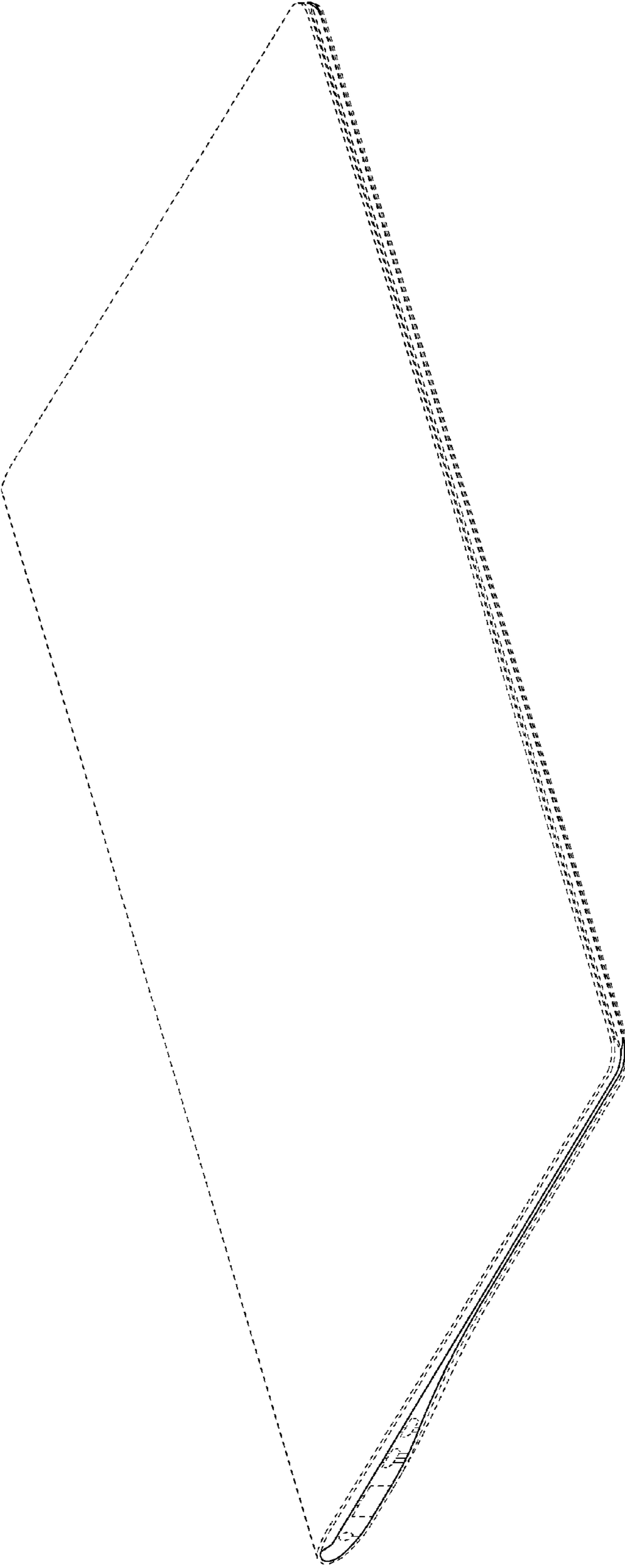


FIG. 2



FIG. 3

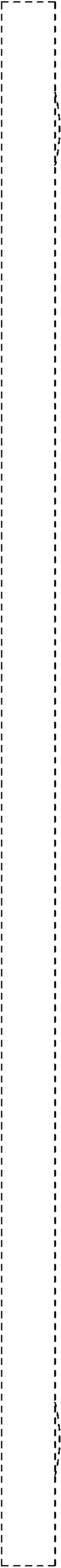


FIG. 4



FIG. 5



FIG. 6

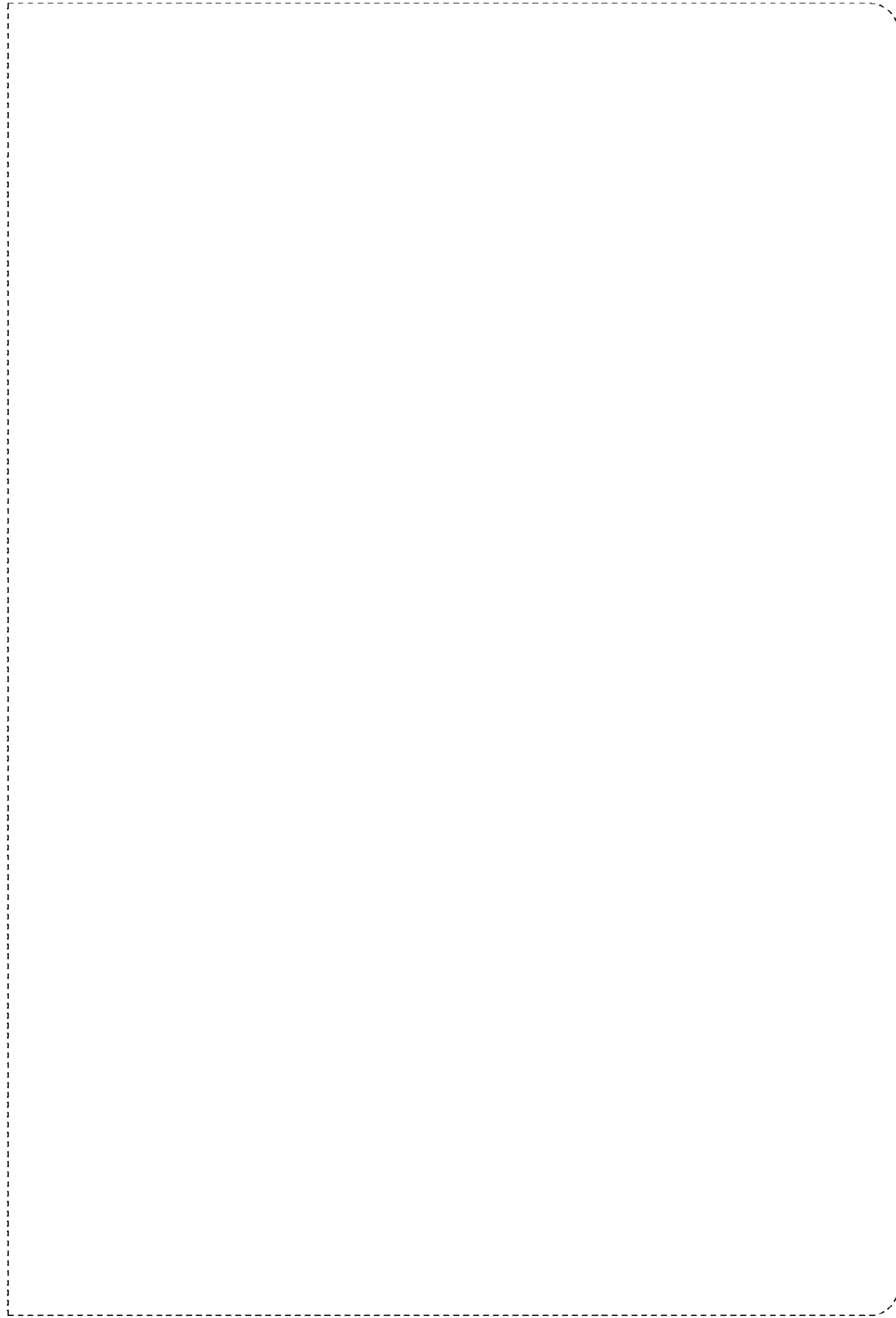


FIG. 7

