



US00D736193S

(12) **United States Design Patent**
Kwak et al.

(10) **Patent No.:** **US D736,193 S**
(45) **Date of Patent:** **** Aug. 11, 2015**

(54) **REPEATER FOR WIRELESS COMMUNICATION**

(71) Applicant: **Samsung Electronics Co., Ltd.**,
Suwon-si (KR)

(72) Inventors: **Ji-Hee Kwak**, Seoul (KR); **Kyu-Cheol Kim**, Seoul (KR)

(73) Assignee: **Samsung Electronics Co., Ltd.**,
Suwon-si (KR)

(**) Term: **14 Years**

(21) Appl. No.: **29/481,687**

(22) Filed: **Feb. 10, 2014**

(30) **Foreign Application Priority Data**

Aug. 26, 2013 (KR) 30-2013-0043539

(51) **LOC (10) Cl.** **14-03**

(52) **U.S. Cl.**
USPC **D14/240**

(58) **Field of Classification Search**
USPC D14/135, 137, 139, 140–140.9, 155,
D14/167, 240, 242, 243, 348, 349, 351, 354,
D14/355, 356, 357, 358, 385, 433, 435,
D14/435.1, 436, 474, 480, 496; D13/103,
D13/108, 110, 147; D10/75
CPC H04L 12/00; H03K 17/00; H04W 88/00;
H04W 88/005; H04W 88/02; H04W 88/08;
H04W 88/085; H04W 88/10; H04W 88/12;
H04W 88/14; H04B 1/38
See application file for complete search history.

(56) **References Cited**

U.S. PATENT DOCUMENTS

D292,914 S * 11/1987 Moeller D13/123
D313,233 S * 12/1990 Andrews et al. D14/141.1
D566,710 S * 4/2008 Chun et al. D14/358

D577,021 S * 9/2008 Kuang et al. D14/363
D583,367 S * 12/2008 Chen D14/240
D641,740 S * 7/2011 Jeon et al. D14/240
D651,208 S * 12/2011 Pacyga et al. D14/358
D675,569 S * 2/2013 Chang D13/133
D686,198 S * 7/2013 Lewis et al. D14/240
D686,201 S * 7/2013 Lee D14/314
D687,424 S * 8/2013 Petersen et al. D14/240
D695,727 S * 12/2013 Shimizu D14/240
D704,176 S * 5/2014 Kwak et al. D14/240
D707,667 S * 6/2014 Kono et al. D14/240
D710,341 S * 8/2014 Cheng D14/240
D716,772 S * 11/2014 Cavero et al. D14/225

* cited by examiner

Primary Examiner — Eric Goodman

Assistant Examiner — Sanjeev Paul

(74) *Attorney, Agent, or Firm* — NSIP Law

(57) **CLAIM**

The ornamental design for a repeater for wireless communication, as shown and described.

DESCRIPTION

FIG. 1 is a front perspective view of a repeater for wireless communication showing our new design;
FIG. 2 is a front view thereof;
FIG. 3 is a rear view thereof;
FIG. 4 is a left-side view thereof;
FIG. 5 is a right-side view thereof;
FIG. 6 is a top view thereof;
FIG. 7 is a bottom thereof; and,
FIG. 8 is another front view thereof, in which an antenna in broken lines is provided to illustrate an example environment. The broken lines shown in the drawings that are immediately adjacent to the shaded areas, and define an unshaded region, represent the bounds of the claim, while the broken lines within the boundaries are directed to environment. The broken lines and the unshaded regions form no part of the claimed design.

1 Claim, 6 Drawing Sheets

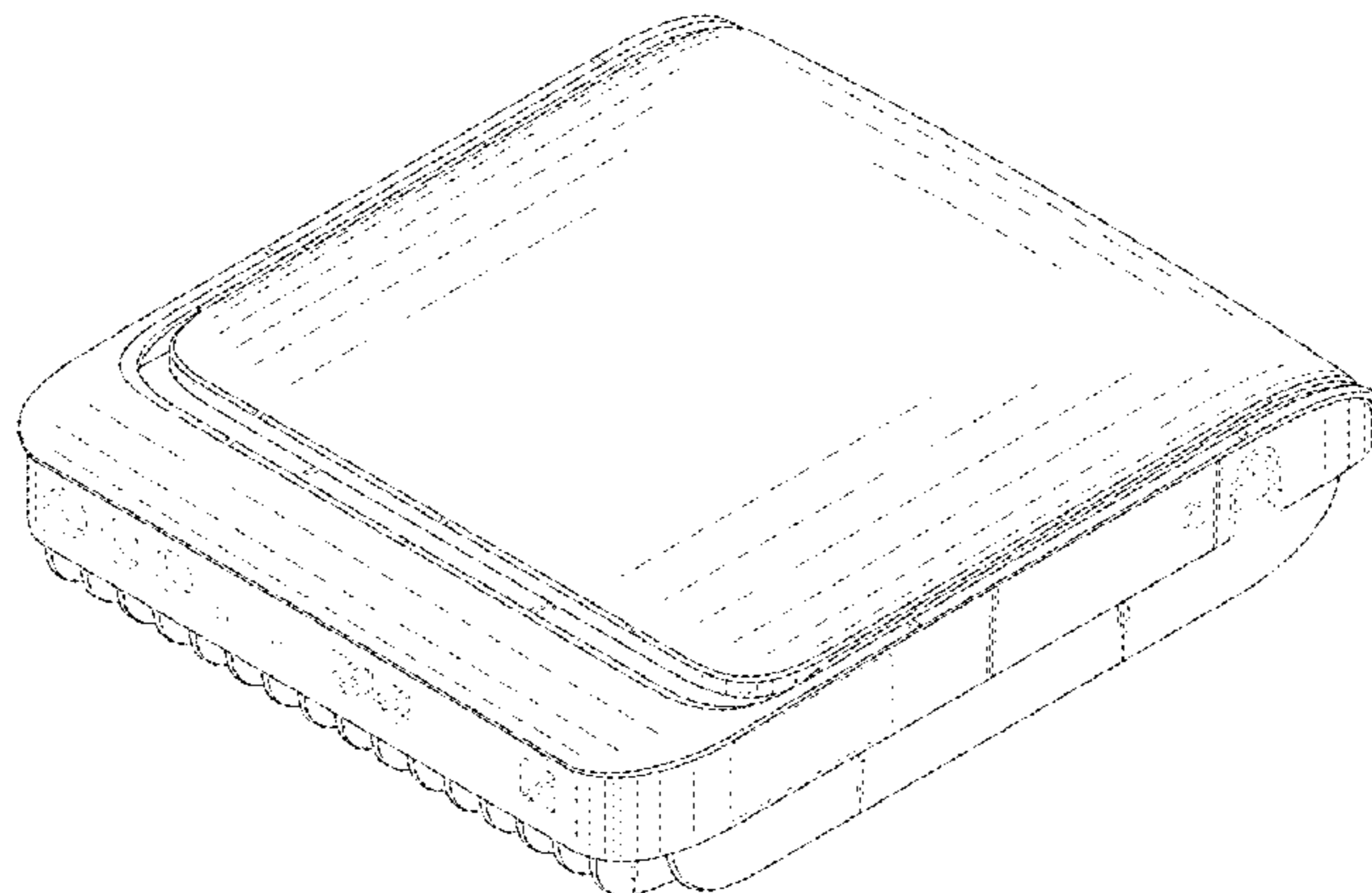


FIG. 1

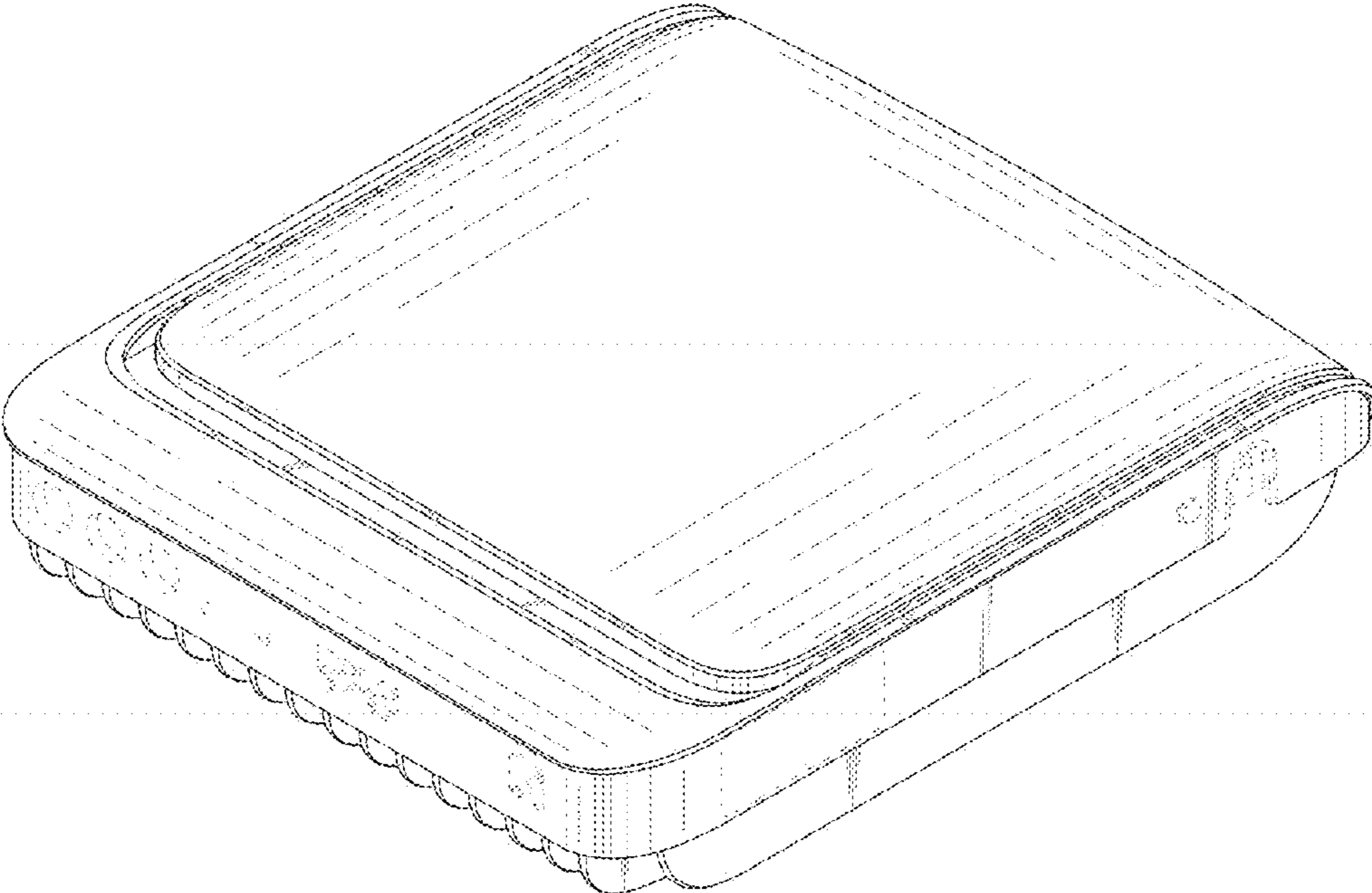


FIG.2

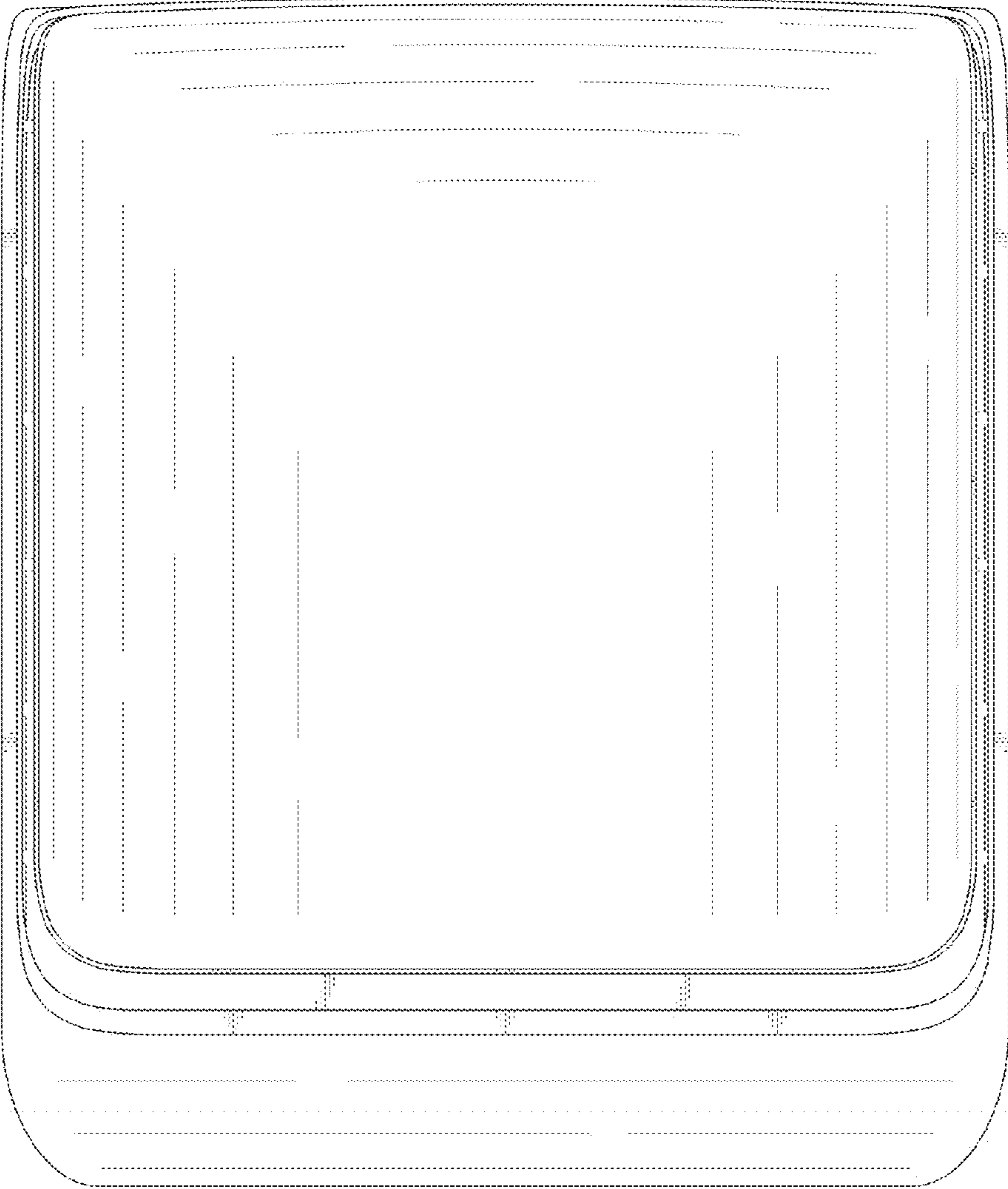


FIG. 3

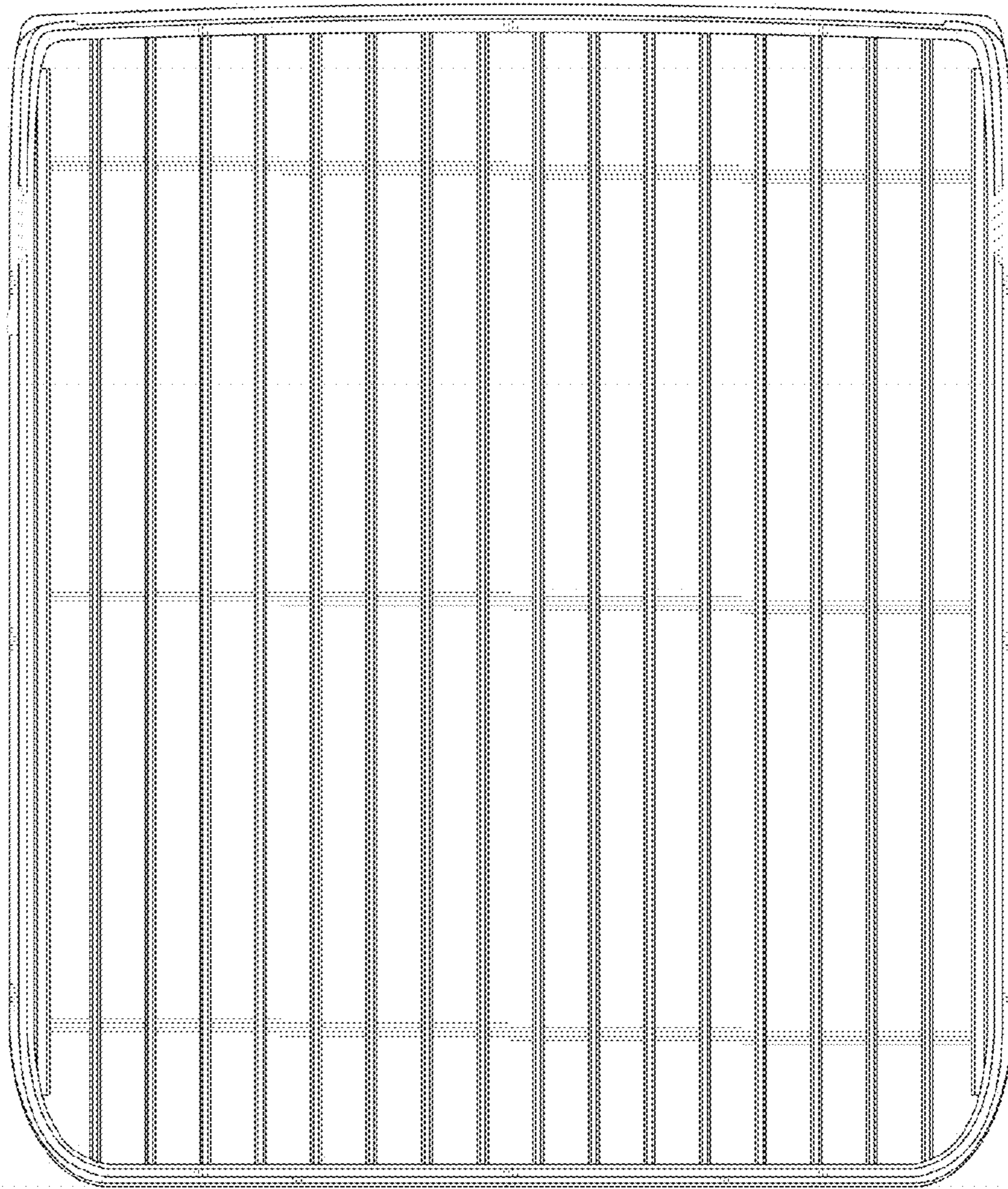


FIG.4

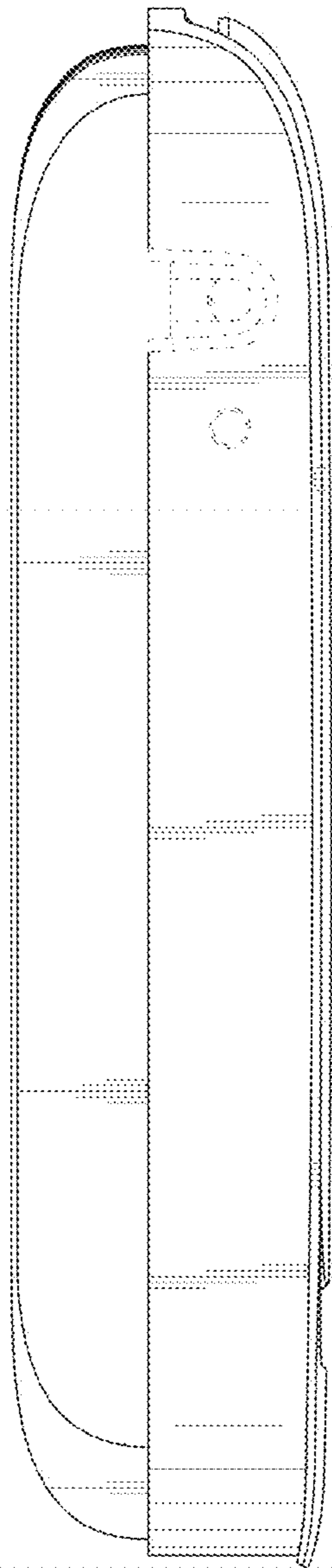


FIG.5

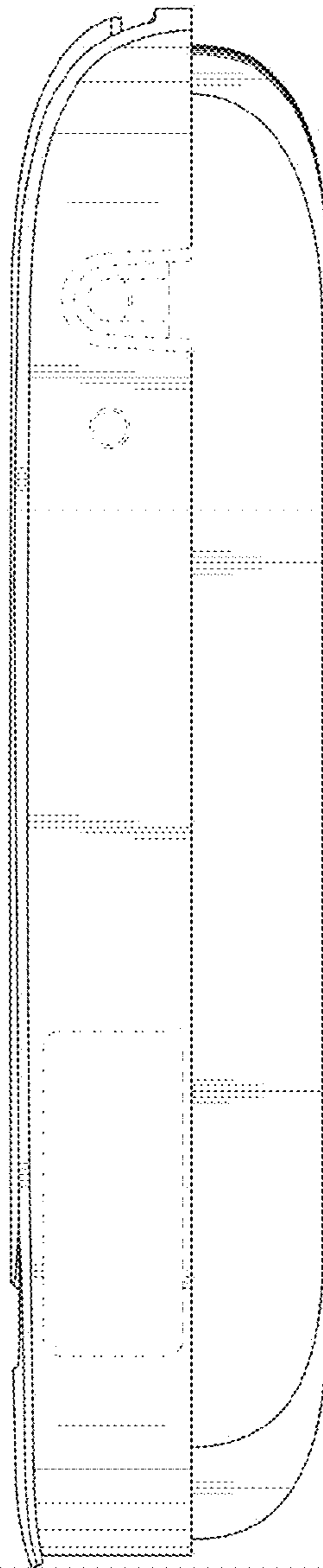


FIG.6

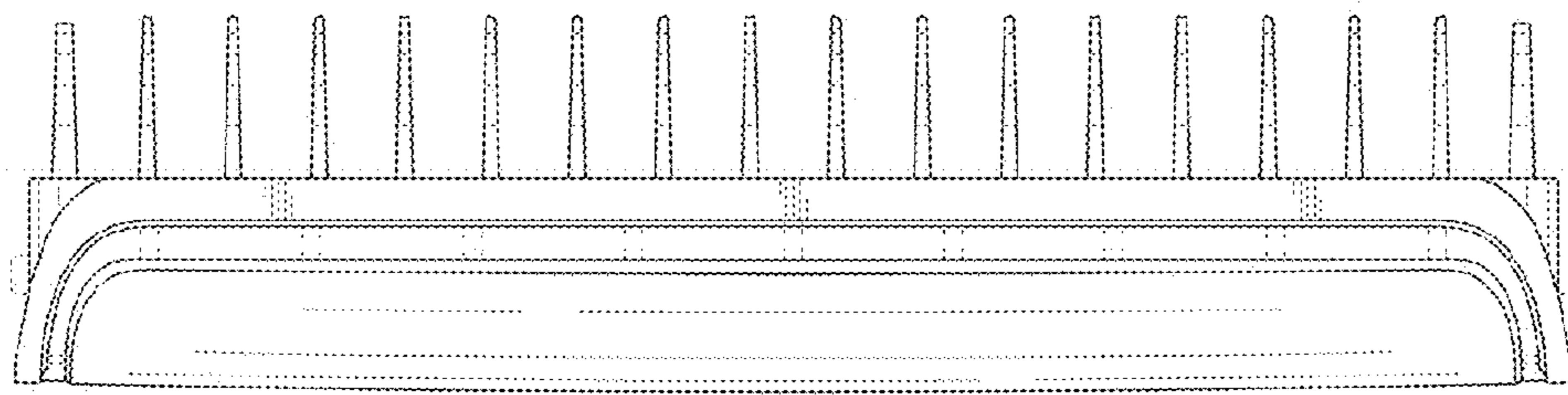


FIG.7

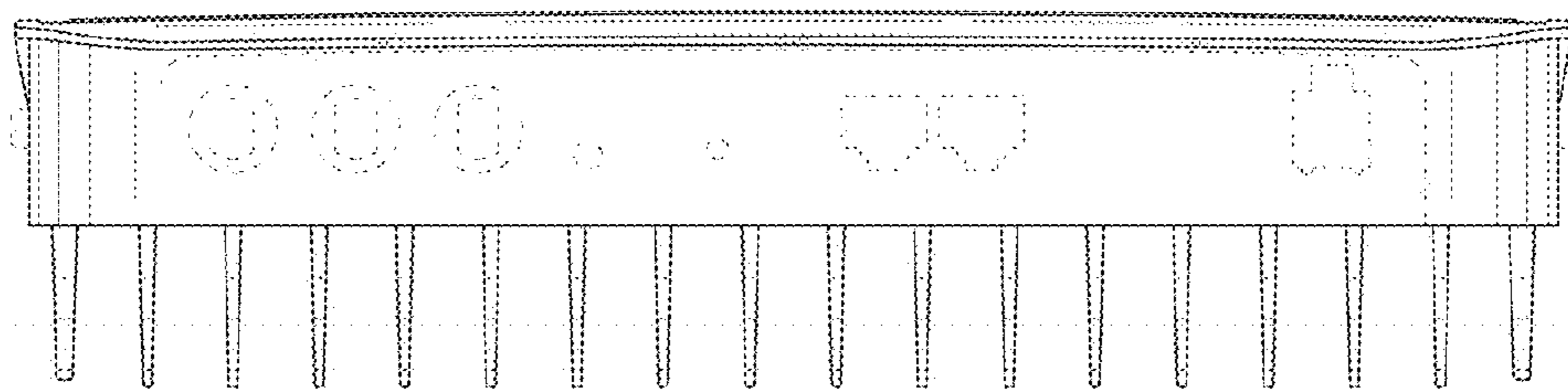


FIG.8

