



US00D736192S

(12) **United States Design Patent**
Jeon et al.

(10) **Patent No.:** **US D736,192 S**
(45) **Date of Patent:** **** Aug. 11, 2015**

(54) **RACK FOR COMMUNICATION DEVICE**

(71) Applicant: **SAMSUNG ELECTRONICS CO., LTD.**, Suwon-si, Gyeonggi-do (KR)

(72) Inventors: **So-Yoon Jeon**, Guri-si (KR); **Kyu-Cheol Kim**, Seoul (KR)

(73) Assignee: **SAMSUNG ELECTRONICS CO., LTD.** (KR)

(**) Term: **14 Years**

(21) Appl. No.: **29/472,633**

(22) Filed: **Nov. 14, 2013**

(30) **Foreign Application Priority Data**

May 15, 2013 (KR) 30-2013-0025608

(51) **LOC (10) Cl.** **14-03**

(52) **U.S. Cl.**
USPC **D14/240**

(58) **Field of Classification Search**
USPC D14/135, 137, 139, 140–140.9, 155,
D14/167, 240, 242, 243, 348, 349, 351, 354,
D14/355, 356, 357, 358, 385, 433, 435,
D14/435.1, 436, 474, 480, 496; D13/103,
D13/108, 110, 147; D10/75
CPC H04L 12/00; H03K 17/00; H04W 88/00;
H04W 88/005; H04W 88/02; H04W 88/08;
H04W 88/085; H04W 88/10; H04W 88/12;
H04W 88/14; H04B 1/38
See application file for complete search history.

(56) **References Cited**

U.S. PATENT DOCUMENTS

D299,455 S * 1/1989 Pushelberg et al. D14/140.2
D303,664 S * 9/1989 Harden et al. D14/140.2
D381,337 S * 7/1997 Fechner et al. D14/140.2
5,864,467 A * 1/1999 Recchia et al. 361/732
D455,723 S * 4/2002 Vackar D13/184

D458,608 S * 6/2002 Tong et al. D14/434
D491,940 S * 6/2004 Narita D14/368
D532,785 S * 11/2006 Lo et al. D14/363
D536,696 S * 2/2007 McRae et al. D14/240
D542,284 S * 5/2007 Kim D14/240
D582,410 S * 12/2008 Tsuboi D14/356
D598,013 S * 8/2009 Ju et al. D14/240
D621,397 S * 8/2010 Andre et al. D14/314
D686,206 S * 7/2013 Wu et al. D14/358
D705,201 S * 5/2014 Isaacs et al. D14/240
D707,667 S * 6/2014 Kono et al. D14/240
D714,767 S * 10/2014 Liang D14/242

* cited by examiner

Primary Examiner — Eric Goodman

Assistant Examiner — Sanjeev Paul

(74) *Attorney, Agent, or Firm* — Cantor Colburn LLP

(57) **CLAIM**

The ornamental design for a rack for communication device, as shown and described.

DESCRIPTION

FIG. 1 is a top front perspective view of a rack for communication device showing our new design;
FIG. 2 is a front view thereof;
FIG. 3 is a rear view thereof;
FIG. 4 is a left-side view thereof;
FIG. 5 is a right-side view thereof;
FIG. 6 is a top view thereof;
FIG. 7 is a bottom view thereof; and,
FIG. 8 is another top front perspective view thereof showing communication wires installed to the rack for communication device while in use.

The broken lines shown in the drawings that are immediately adjacent to the shaded areas, and define an unshaded region, represent the bounds of the claim, while the broken lines within the boundaries are directed to environment. The broken lines and the unshaded regions form no part of the claimed design.

The shade lines in the figures show contour and not surface ornamentation.

1 Claim, 8 Drawing Sheets

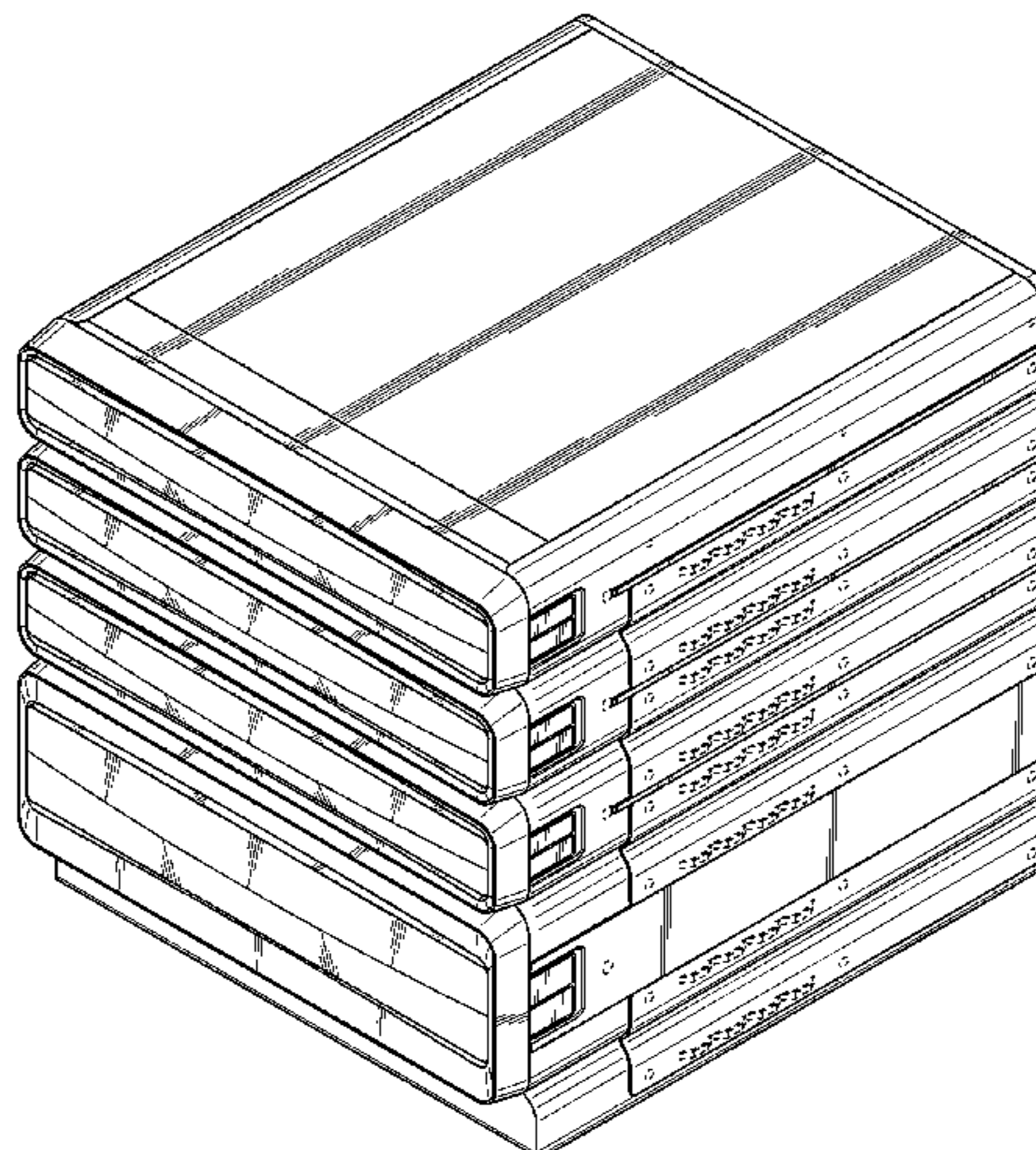


FIG. 1

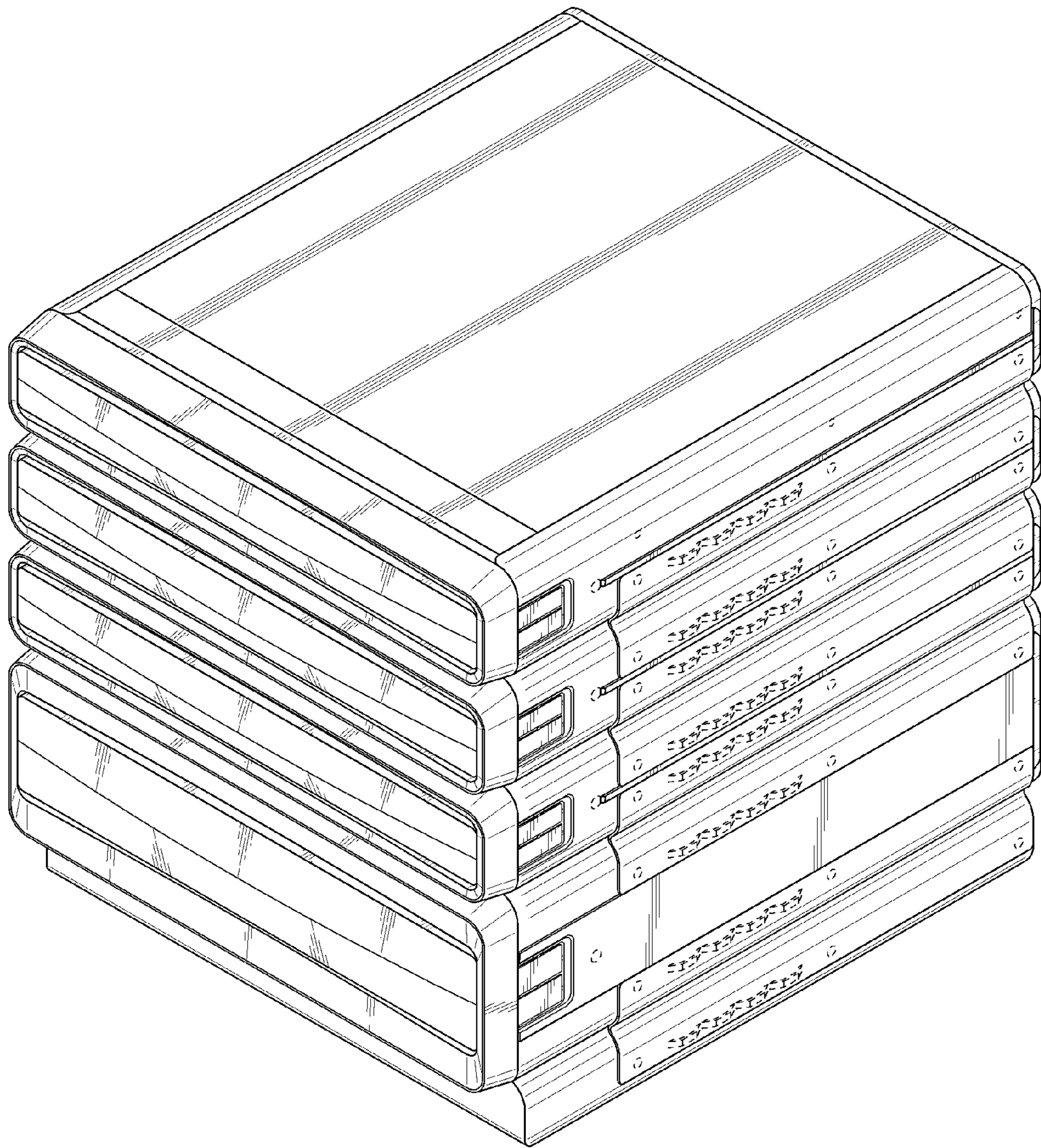


FIG. 2

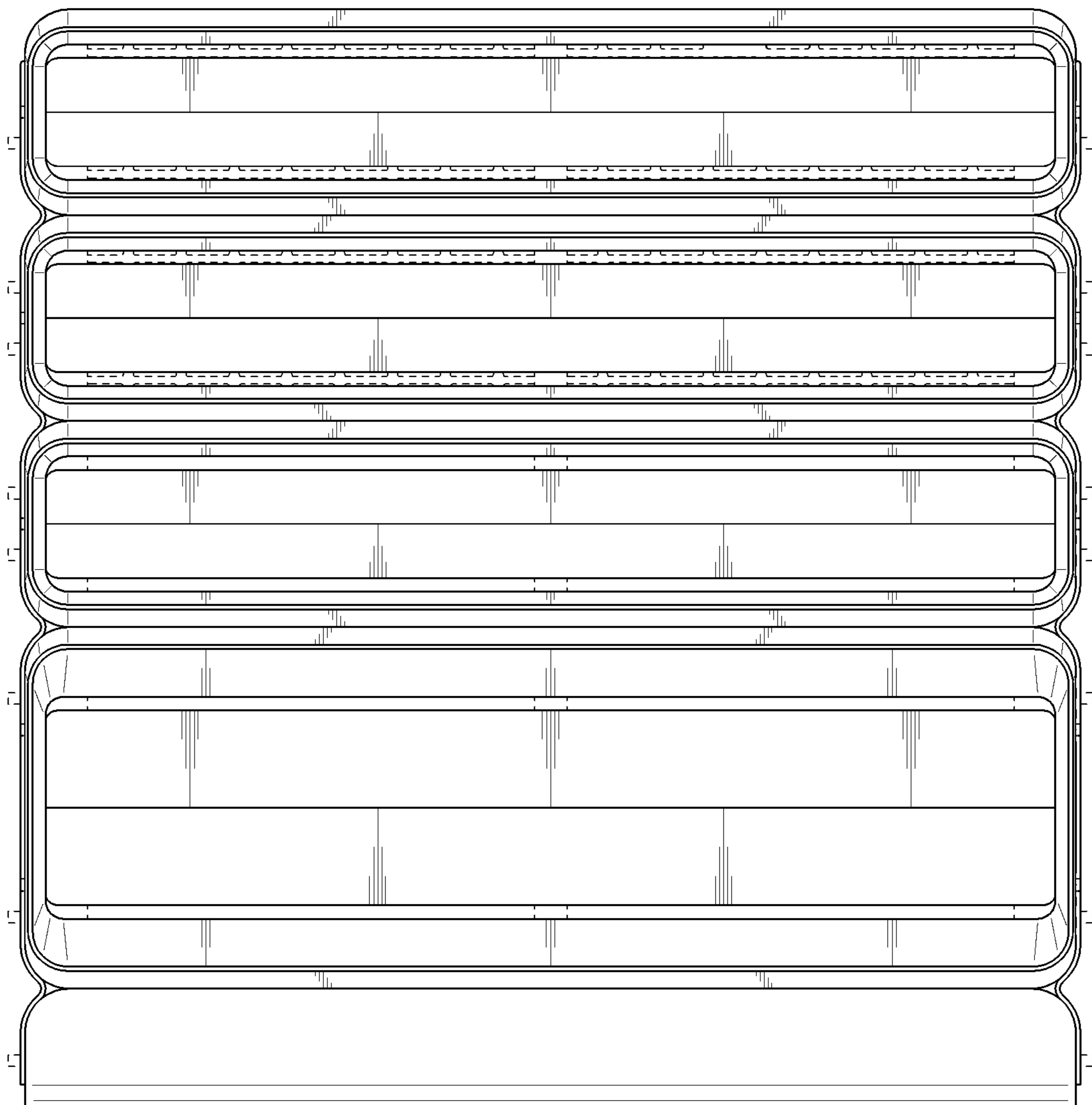


FIG. 3

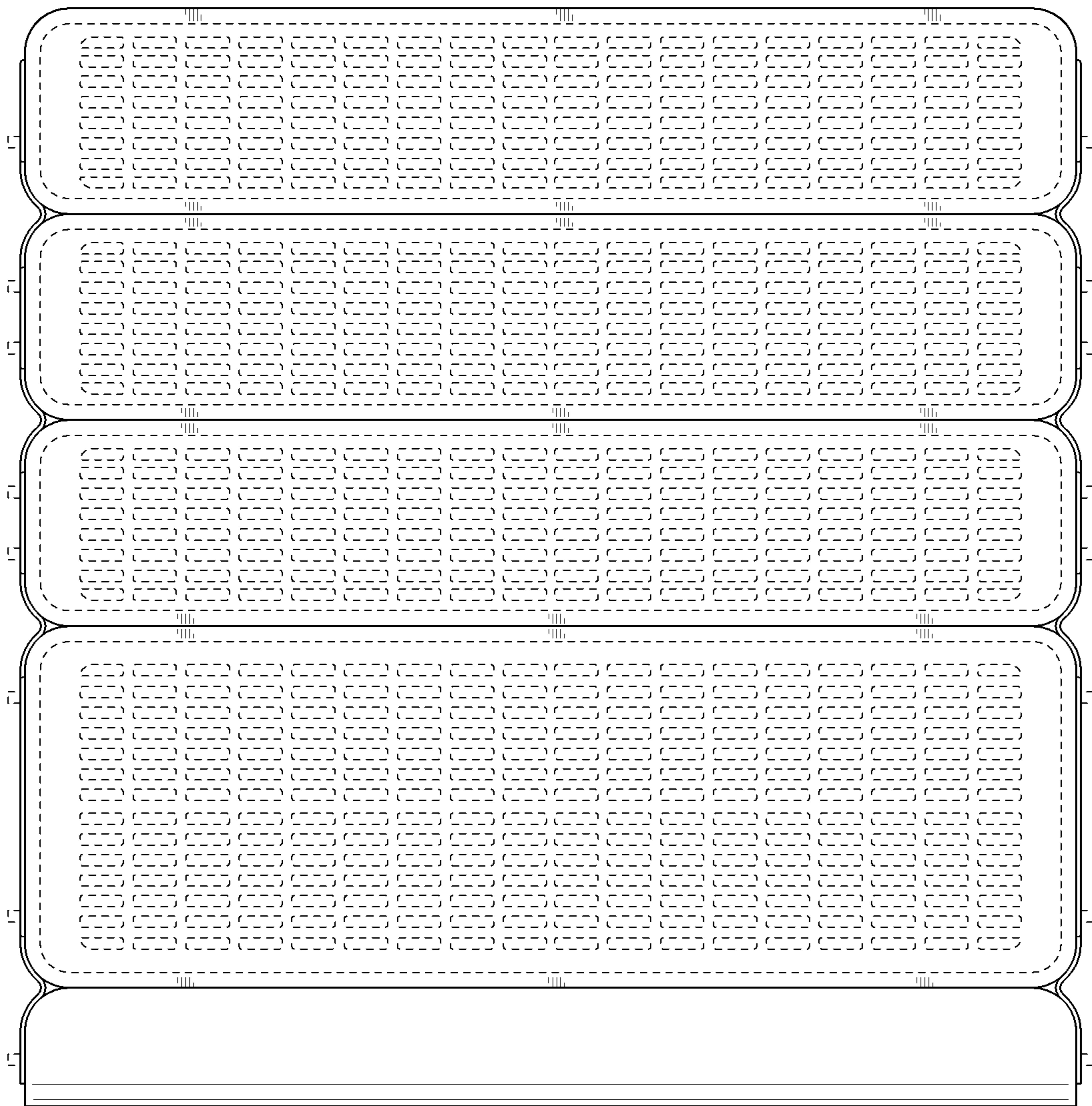


FIG.4



FIG. 5



FIG. 6

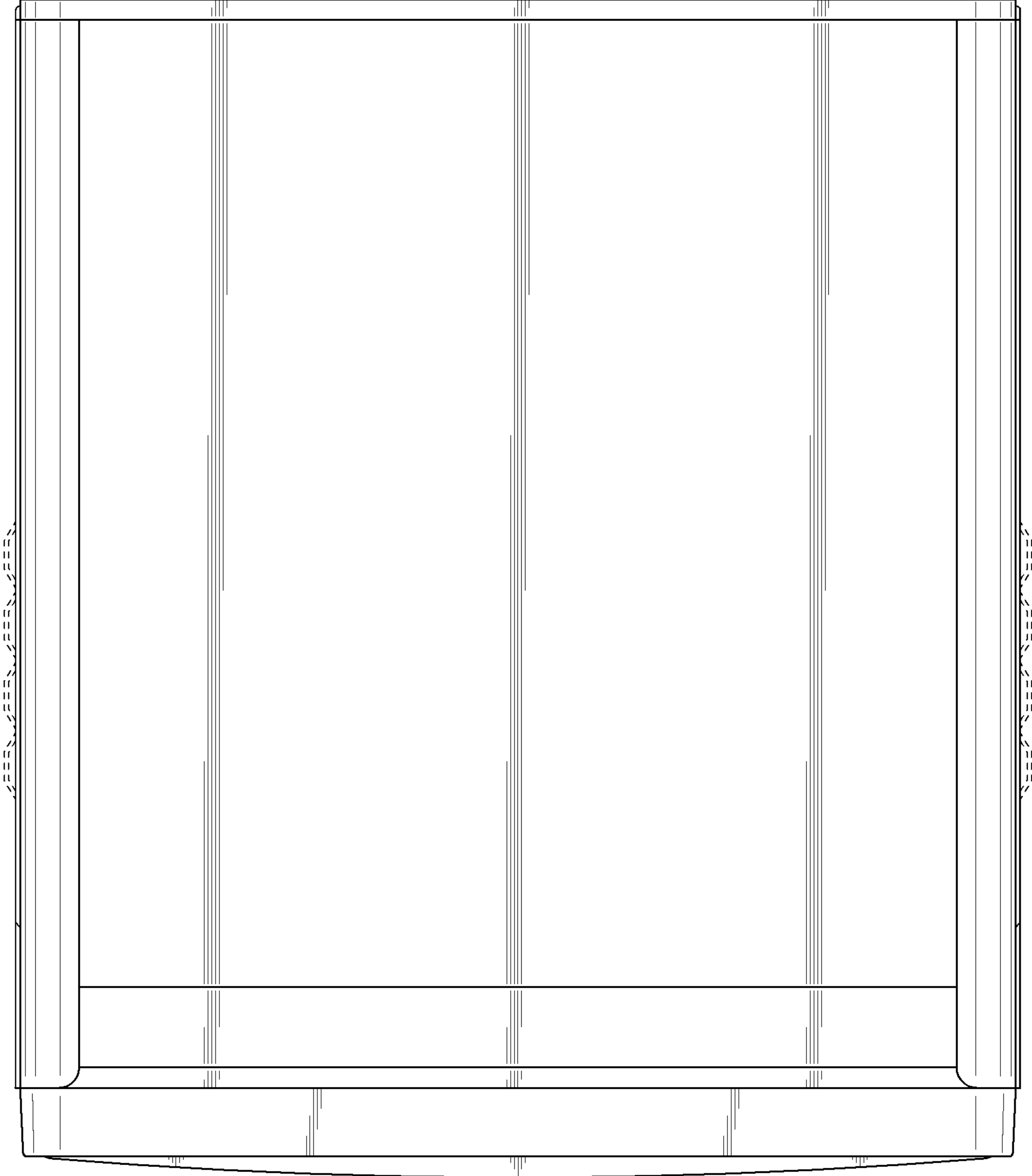


FIG. 7

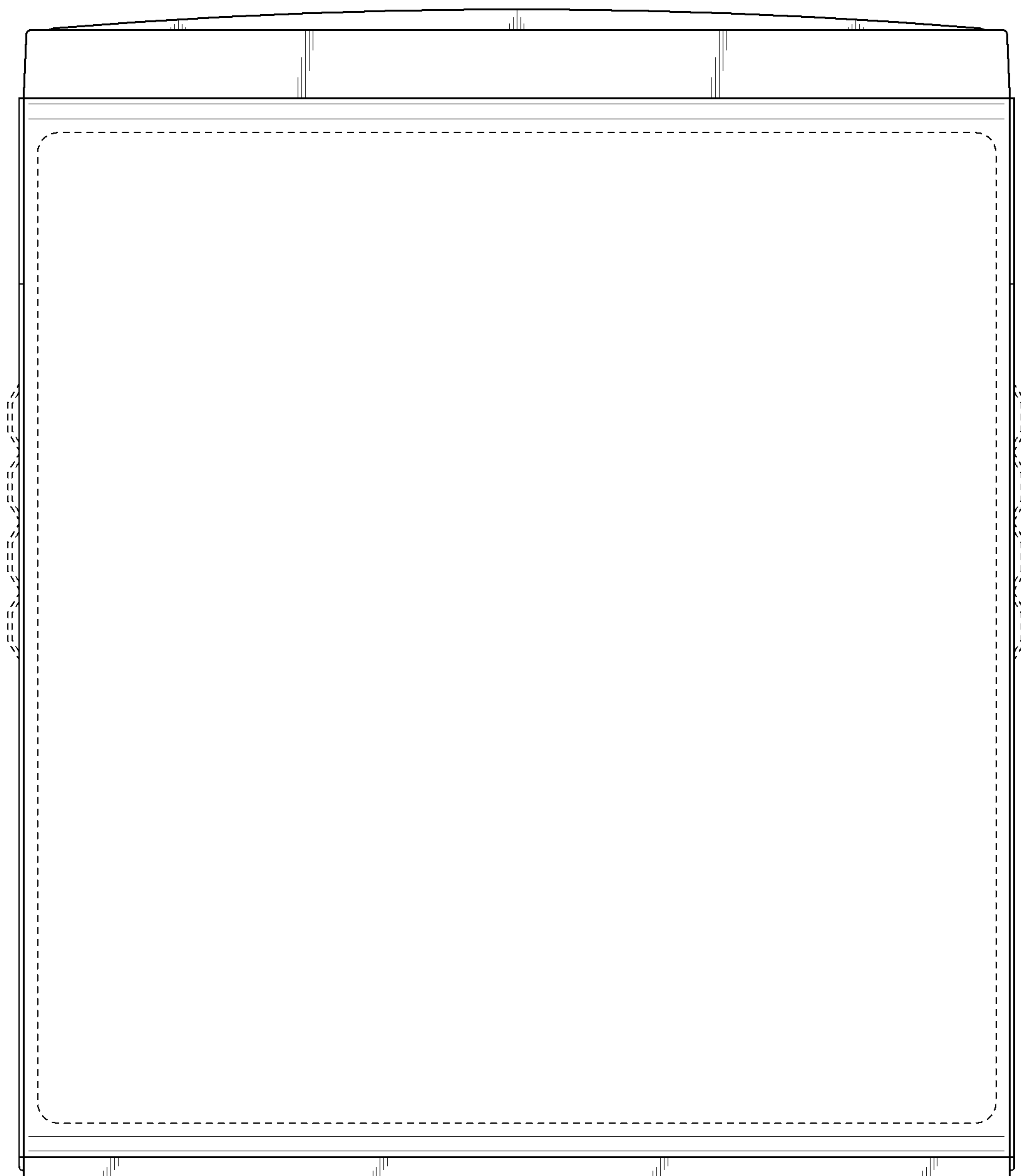


FIG. 8

