



US00D736191S

(12) **United States Design Patent**
Jeon et al.

(10) **Patent No.:** **US D736,191 S**
(45) **Date of Patent:** **** Aug. 11, 2015**

- (54) **RACK FOR COMMUNICATION DEVICE**
- (71) Applicant: **SAMSUNG ELECTRONICS CO., LTD.**, Suwon-si, Gyeonggi-do (KR)
- (72) Inventors: **So-Yoon Jeon**, Guri-si (KR); **Kyu-Cheol Kim**, Seoul (KR)
- (73) Assignee: **SAMSUNG ELECTRONICS CO., LTD.** (KR)
- (**) Term: **14 Years**
- (21) Appl. No.: **29/472,631**
- (22) Filed: **Nov. 14, 2013**

D536,696 S *	2/2007	McRae et al.	D14/240
D542,284 S *	5/2007	Kim	D14/240
D582,410 S *	12/2008	Tsuboi	D14/356
D598,013 S *	8/2009	Ju et al.	D14/240
D621,397 S *	8/2010	Andre et al.	D14/314
D686,206 S *	7/2013	Wu et al.	D14/358
D705,201 S *	5/2014	Isaacs et al.	D14/240
D707,667 S *	6/2014	Kono et al.	D14/240
D714,767 S *	10/2014	Liang	D14/242

* cited by examiner

Primary Examiner — Eric Goodman

Assistant Examiner — Sanjeev Paul

(74) *Attorney, Agent, or Firm* — Cantor Colburn LLP

(30) **Foreign Application Priority Data**

May 15, 2013 (KR) 30-2013-0025605

(51) **LOC (10) Cl.** **14-03**

(52) **U.S. Cl.**
USPC **D14/240**

(58) **Field of Classification Search**
USPC D14/135, 137, 139, 140–140.9, 155,
D14/167, 240, 242, 243, 348, 349, 351, 354,
D14/355, 356, 357, 358, 385, 433, 435,
D14/435.1, 436, 474, 480, 496; D13/103,
D13/108, 110, 147; D10/75
CPC H04L 12/00; H03K 17/00; H04W 88/00;
H04W 88/005; H04W 88/02; H04W 88/08;
H04W 88/085; H04W 88/10; H04W 88/12;
H04W 88/14; H04B 1/38
See application file for complete search history.

(56) **References Cited**

U.S. PATENT DOCUMENTS

D491,940 S *	6/2004	Narita	D14/368
D532,785 S *	11/2006	Lo et al.	D14/363

(57) **CLAIM**

The ornamental design for a rack for communication device, as shown and described.

DESCRIPTION

FIG. 1 is a top front perspective view of a rack for communication device showing our new design;
FIG. 2 is a front view thereof;
FIG. 3 is a rear view thereof;
FIG. 4 is a left-side view thereof;
FIG. 5 is a right-side view thereof;
FIG. 6 is a top view thereof;
FIG. 7 is a bottom view thereof; and,
FIG. 8 is another top front perspective view thereof showing communication wires installed to the rack for communication device while in use.

The broken lines shown in the drawings that are immediately adjacent to the shaded areas, and define an unshaded region, represent the bounds of the claim, while the broken lines within the boundaries are directed to environment. The broken lines and the unshaded regions form no part of the claimed design.

The shade lines in the figures show contour and not surface ornamentation.

1 Claim, 6 Drawing Sheets

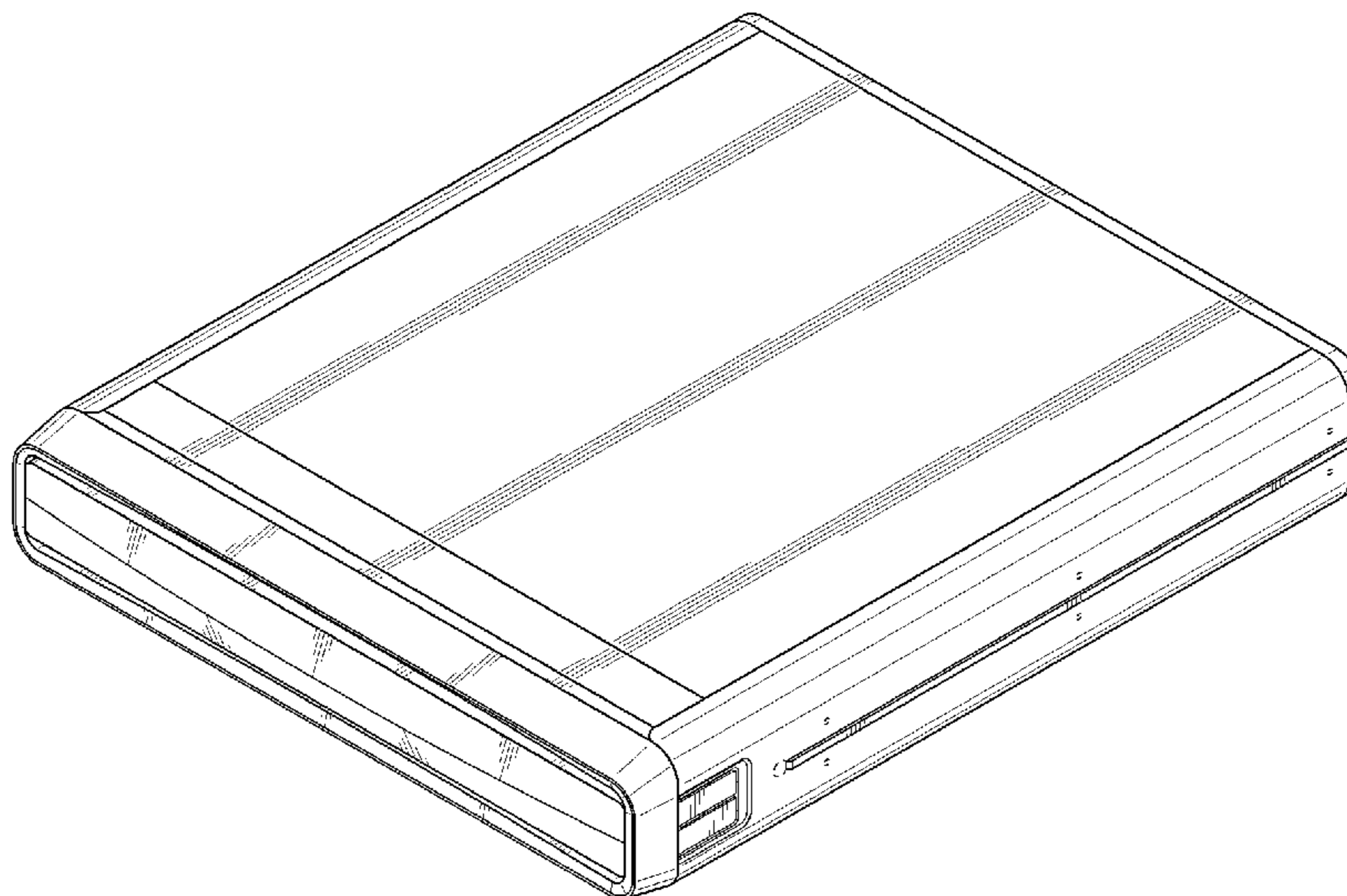


FIG. 1

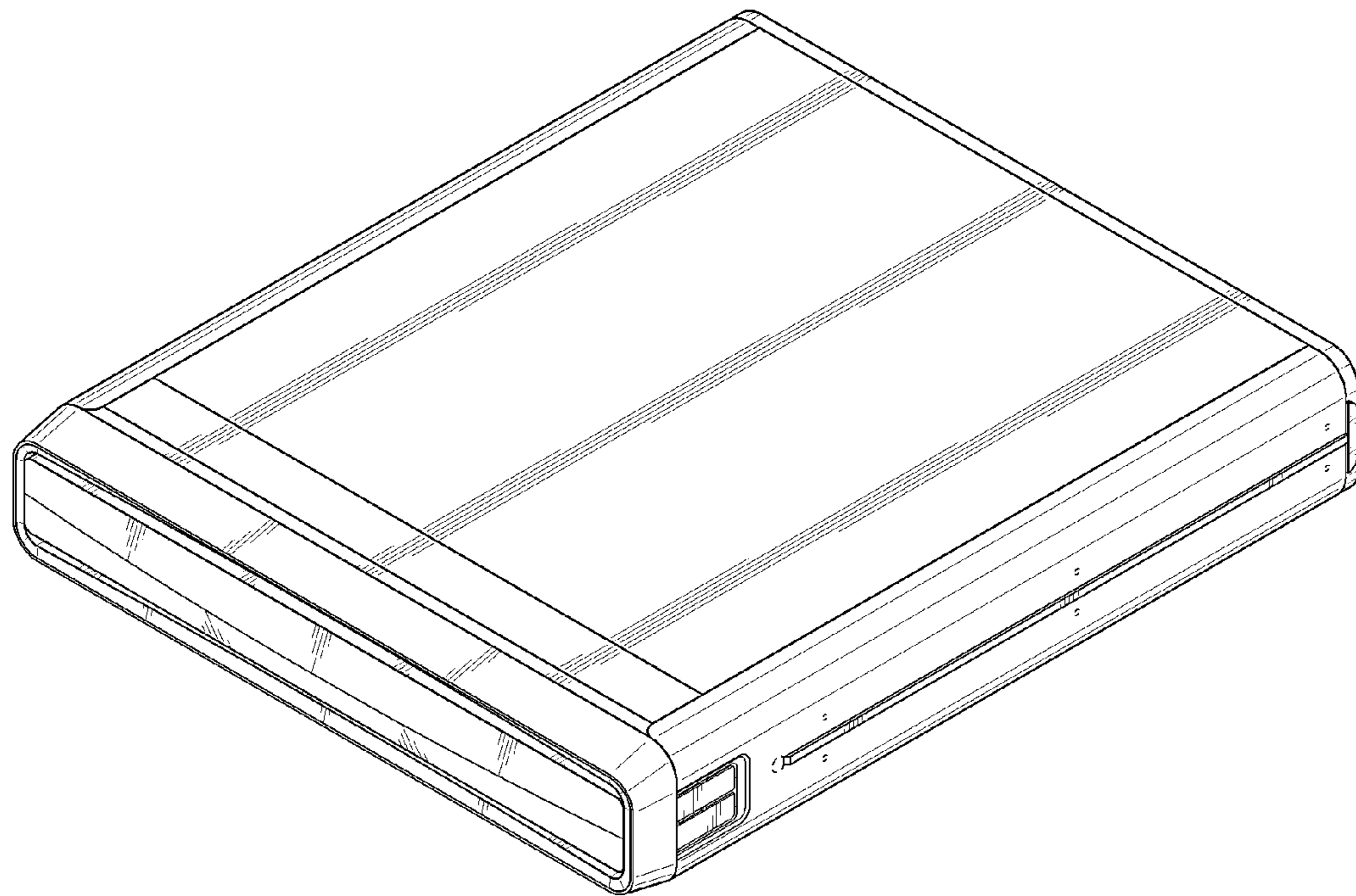


FIG. 2

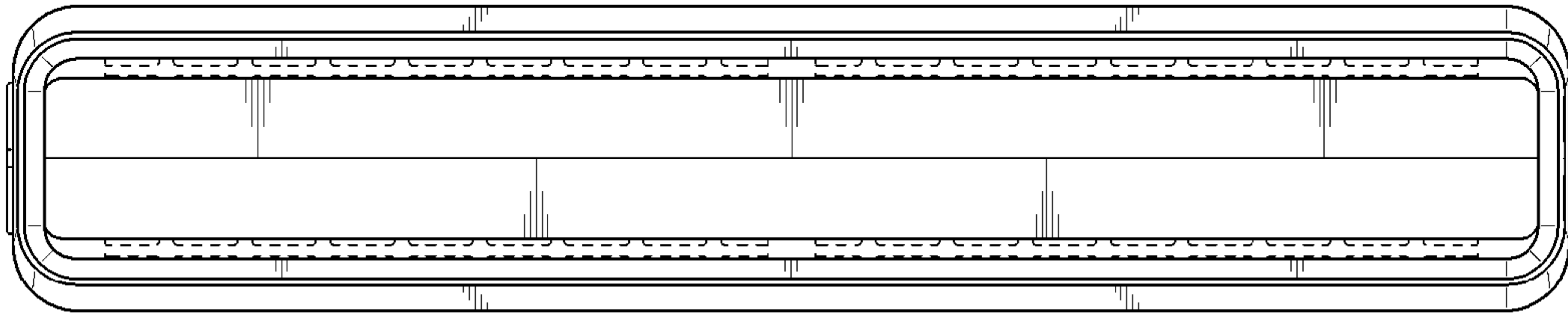


FIG. 3

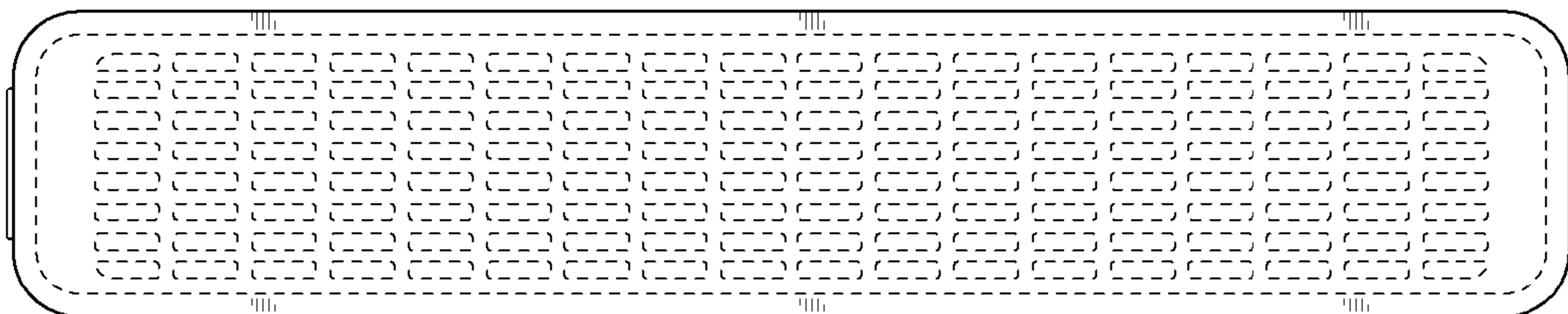


FIG. 4

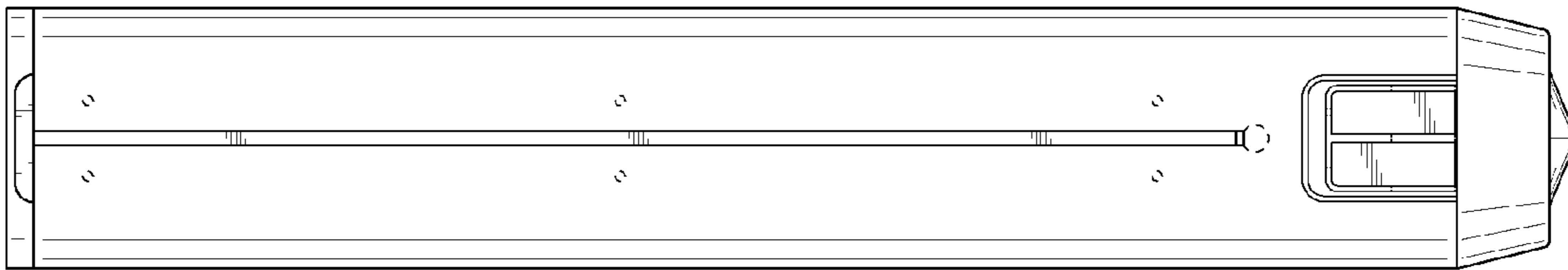


FIG. 5

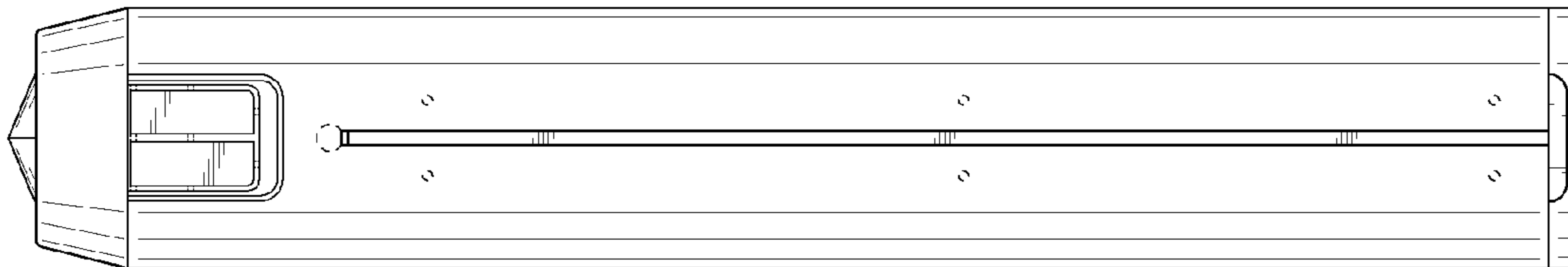


FIG. 6

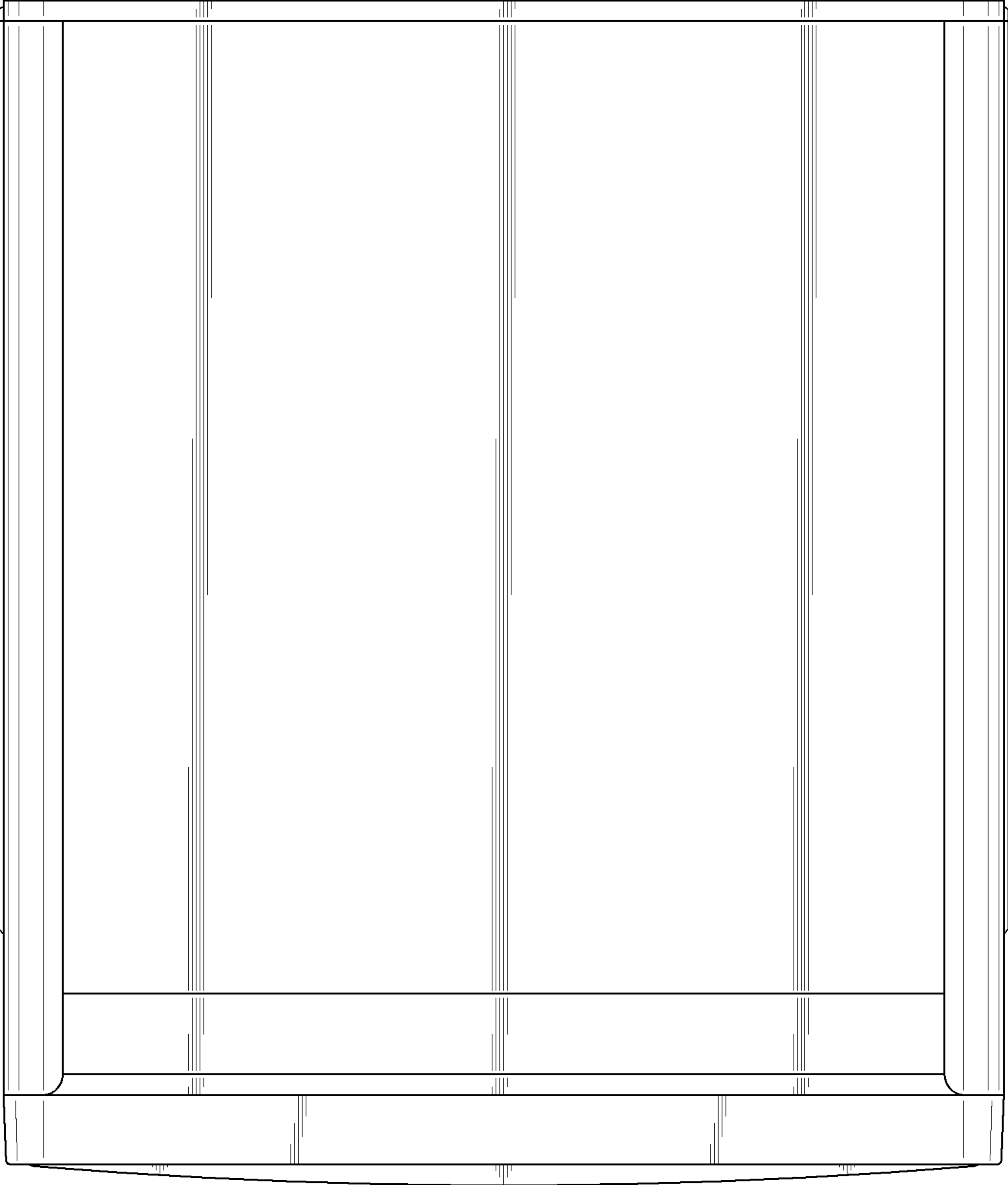


FIG. 7

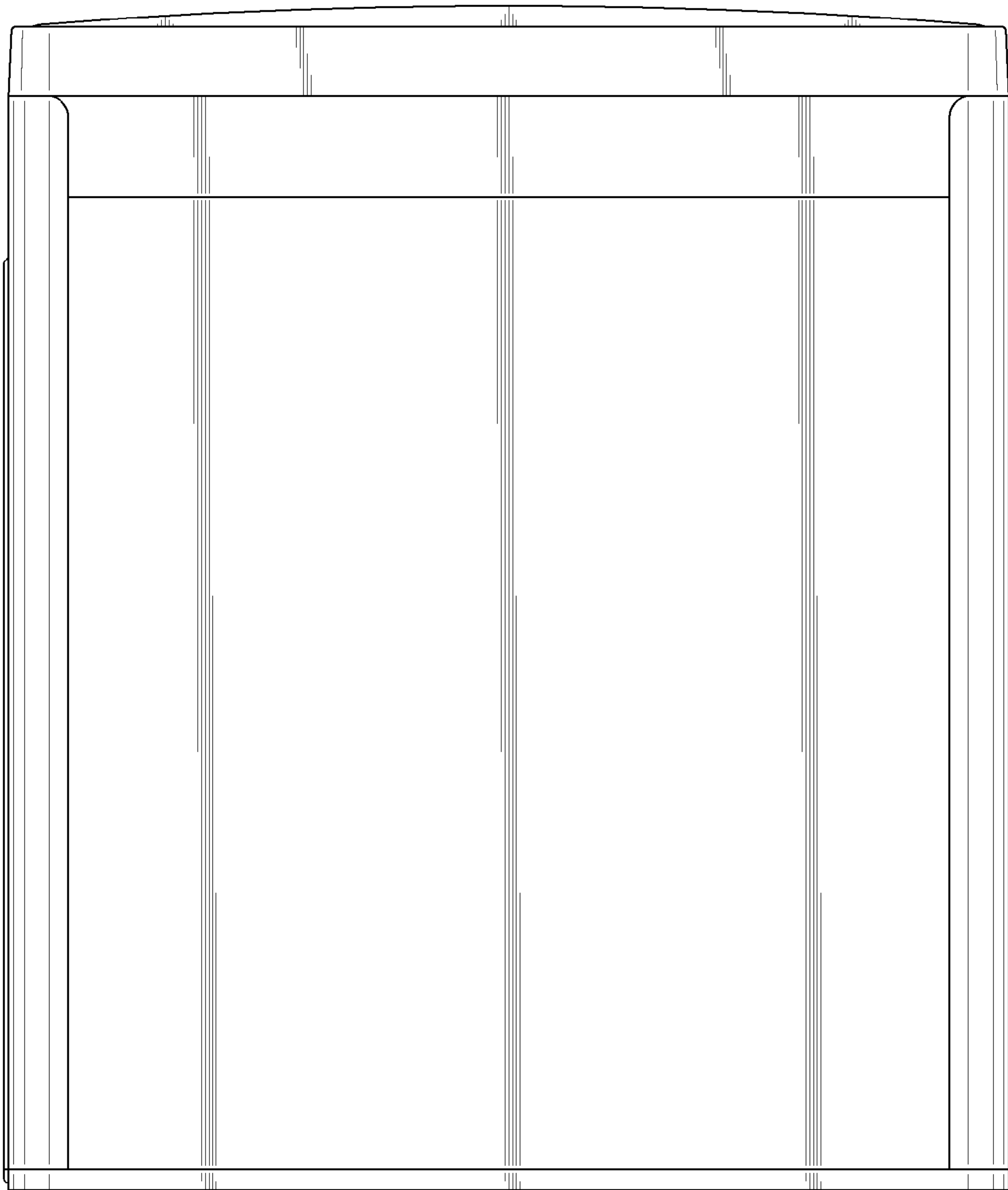


FIG. 8

