



US00D736190S

(12) **United States Design Patent**  
**Seong**

(10) **Patent No.:** **US D736,190 S**

(45) **Date of Patent:** **\*\* Aug. 11, 2015**

(54) **TELEVISION STAND**

(71) Applicant: **Samsung Electronics Co., Ltd.**,  
Suwon-si, Gyeonggi-do (KR)

(72) Inventor: **Bo-Kyung Seong**, Seoul (KR)

(73) Assignee: **Samsung Electronics Co., Ltd.**,  
Suwon-si (KR)

(\*\*) Term: **14 Years**

(21) Appl. No.: **29/446,945**

(22) Filed: **Feb. 28, 2013**

(30) **Foreign Application Priority Data**

Aug. 29, 2012 (KR) ..... 30-2012-0041445

(51) **LOC (10) Cl.** ..... **14-03**

(52) **U.S. Cl.**  
USPC ..... **D14/239**

(58) **Field of Classification Search**

USPC ..... D6/675.1, 675.3, 678.1, 708, 708.2;  
D14/126, 239, 371, 374, 375, 376, 377,  
D14/440, 450, 451, 447; 348/836, 838, 180,  
348/184; 290/294; 345/87

CPC ..... A47F 5/00  
See application file for complete search history.

(56) **References Cited**

**U.S. PATENT DOCUMENTS**

D410,452 S \* 6/1999 Ancona et al. .... D6/310  
6,918,562 B2 \* 7/2005 Lee et al. .... 248/130  
D626,924 S \* 11/2010 Miyaji ..... D14/126  
D628,172 S \* 11/2010 Chien ..... D14/126  
D652,044 S \* 1/2012 Pajerski et al. .... D14/447  
8,120,897 B2 \* 2/2012 VanDuyen et al. .... 361/679.22

D691,977 S \* 10/2013 Lee et al. .... D14/126  
D697,921 S \* 1/2014 Oh et al. .... D14/447  
D699,230 S \* 2/2014 Chen et al. .... D14/239  
D699,713 S \* 2/2014 Seong ..... D14/239  
D702,199 S \* 4/2014 Park et al. .... D14/126  
D702,243 S \* 4/2014 Oh et al. .... D14/447  
D704,198 S \* 5/2014 Kim et al. .... D14/447  
D709,467 S \* 7/2014 Jiang et al. .... D14/126  
D713,806 S \* 9/2014 Park et al. .... D14/126  
D714,749 S \* 10/2014 Park et al. .... D14/126  
D716,245 S \* 10/2014 Kim ..... D14/126  
D717,753 S \* 11/2014 Totsuka et al. .... D14/126  
D717,755 S \* 11/2014 Seong ..... D14/126  
2004/0155166 A1 \* 8/2004 Kim ..... 248/291.1

\* cited by examiner

*Primary Examiner* — Karen E Kearney

*Assistant Examiner* — Catherine Posthauer

(74) *Attorney, Agent, or Firm* — NSIP Law

(57) **CLAIM**

The ornamental design for a television stand, as shown and described.

**DESCRIPTION**

FIG. 1 is a front perspective view of a television stand;  
FIG. 2 is a front view of the television stand of FIG. 1;  
FIG. 3 is a rear view of the television stand of FIG. 1;  
FIG. 4 is a left-side view of the television stand of FIG. 1;  
FIG. 5 is a right-side view of the television stand of FIG. 1;  
FIG. 6 is a top plan view of the television stand of FIG. 1;  
FIG. 7 is a bottom plan view of the television stand of FIG. 1;  
and,  
FIG. 8 is a front perspective view of the television stand of FIG. 1.

The broken lines showing of the television in FIG. 8 are included for the purpose of illustrating environmental structure and form no part of the claimed design.

**1 Claim, 5 Drawing Sheets**

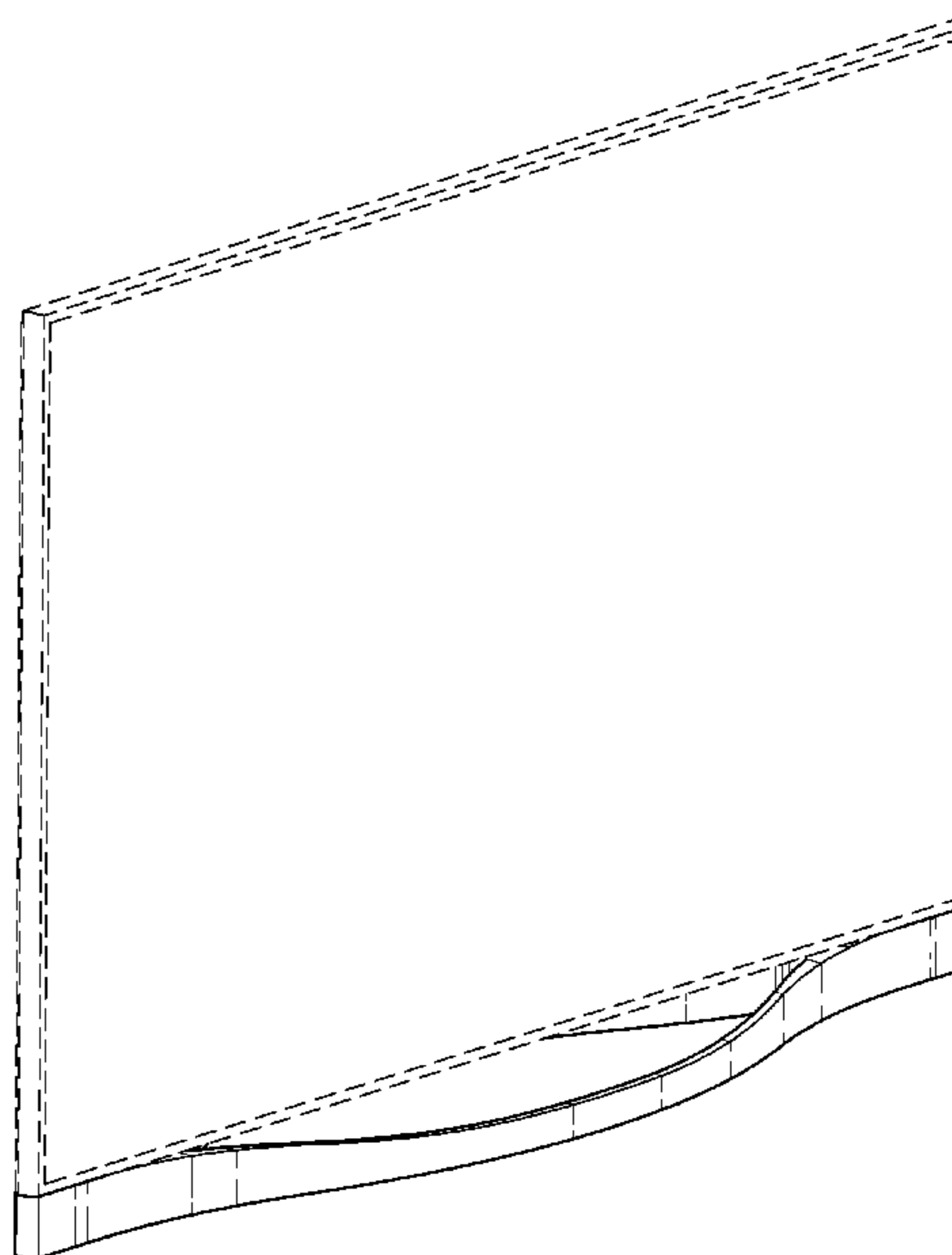
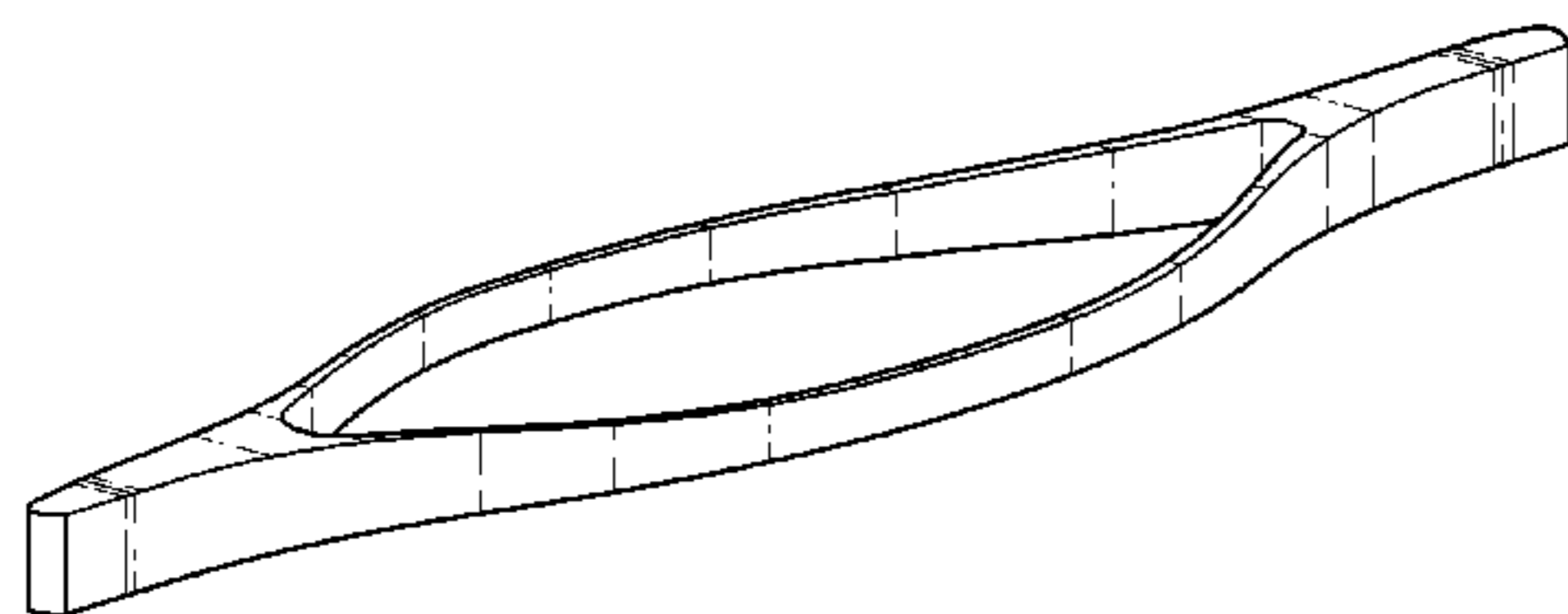


FIG. 1

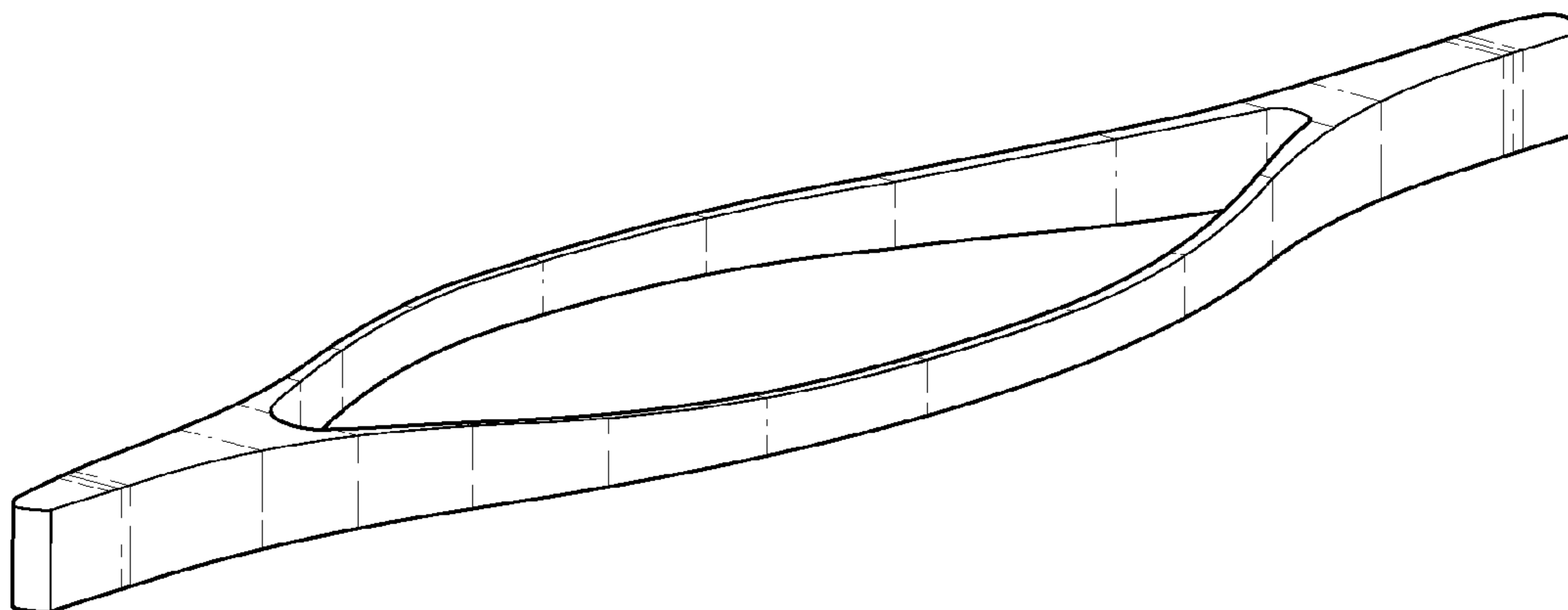


FIG. 2

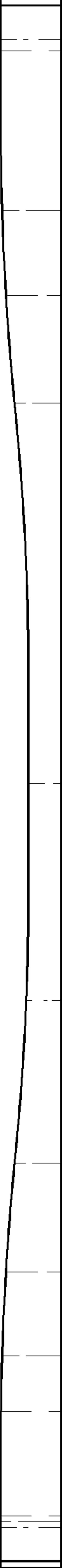


FIG. 3

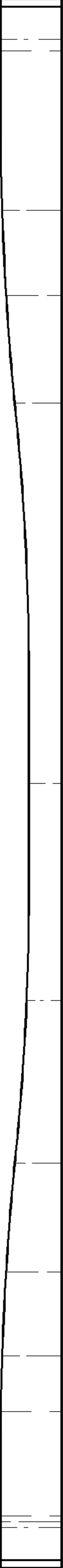


FIG. 4

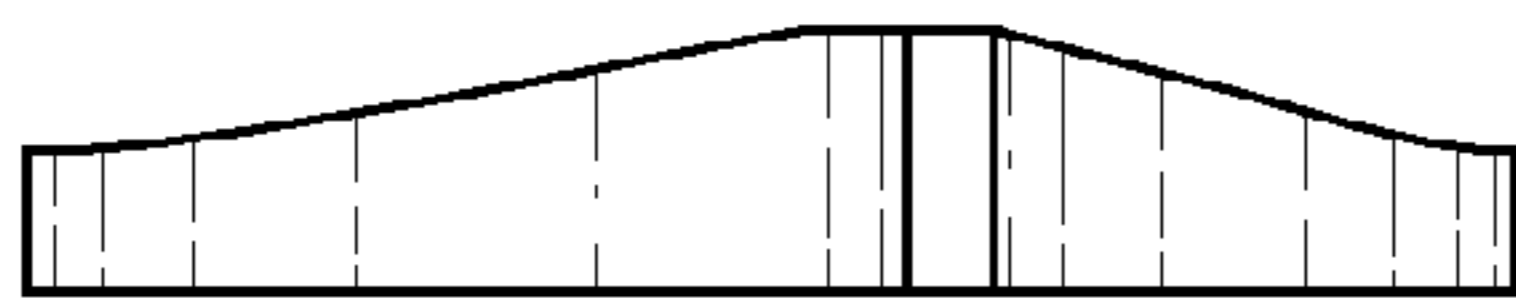


FIG. 5

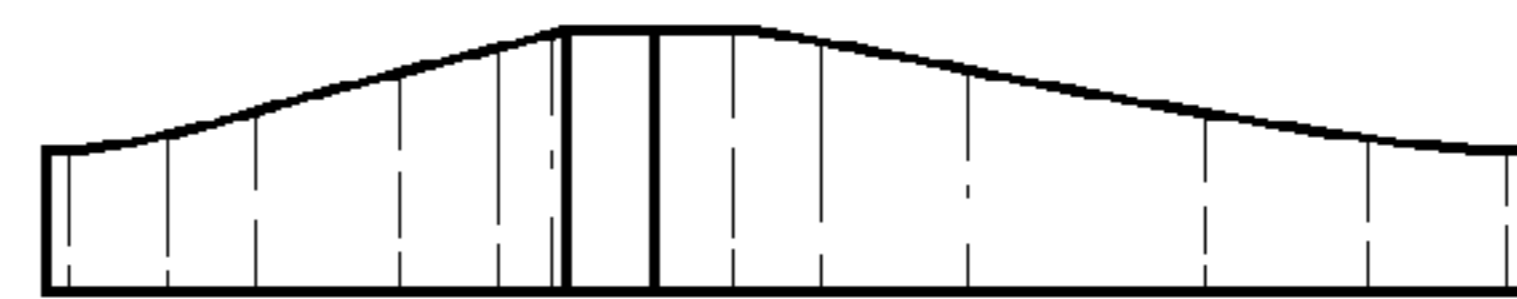


FIG. 6

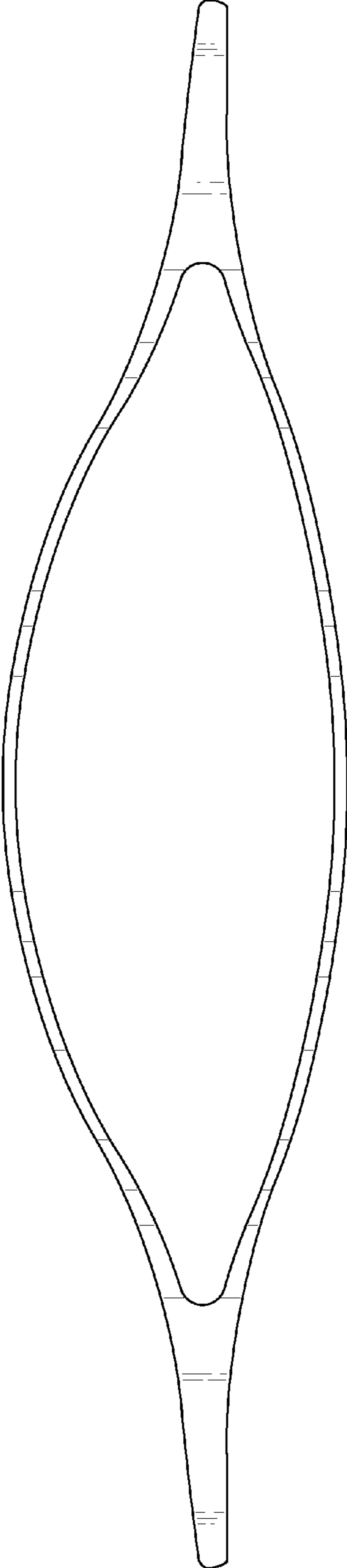


FIG. 7

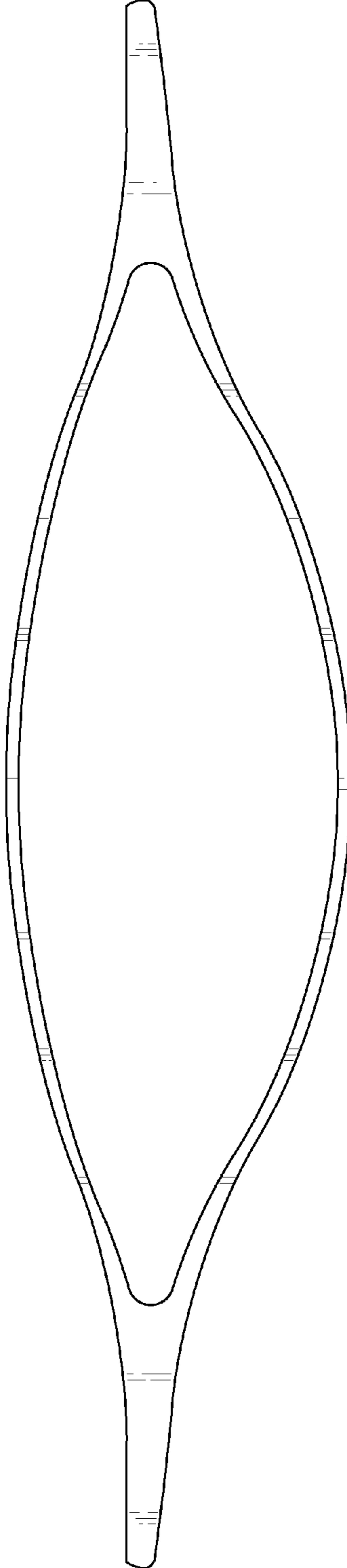


FIG. 8

