



US00D736189S

(12) **United States Design Patent**  
**Cooper et al.**

(10) **Patent No.:** **US D736,189 S**

(45) **Date of Patent:** **\*\* Aug. 11, 2015**

(54) **MOUNT**

(71) Applicant: **Freedman Electronics Pty. Ltd.**,  
Silverwater, NSW (AU)

(72) Inventors: **Peter Noel Cooper**, Bronte (AU); **Sun Kyung Sunwoo**, Denistone (AU); **David Anthony Pidcock**, Freshwater (AU)

(73) Assignee: **Freedman Electronics Pty. Ltd.** (AU)

(\*\*) Term: **14 Years**

(21) Appl. No.: **29/480,875**

(22) Filed: **Jan. 30, 2014**

**Related U.S. Application Data**

(63) Continuation of application No. 29/443,743, filed on Jan. 22, 2013, now Pat. No. Des. 710,831.

(51) **LOC (10) Cl.** ..... **14-01**

(52) **U.S. Cl.**  
USPC ..... **D14/229**

(58) **Field of Classification Search**  
USPC ..... D14/224, 225, 226, 229; D8/394, 396;  
381/111, 122, 361, 368  
CPC . G10H 3/146; G10H 3/143; G10H 2220/525;  
G10H 2230/275; G10D 13/024; F16M 11/12;  
F16M 11/14; F16M 1/04; F16M 13/02;  
F16C 11/106; F16C 11/0614; F16C 11/0619;  
F16C 11/06; F16C 11/0623; B62D 7/16;  
A61G 13/101; A61G 13/121; B66C 23/62;  
F16L 37/18; F16L 37/05; F16L 37/16  
See application file for complete search history.

(56) **References Cited**

**U.S. PATENT DOCUMENTS**

4,194,096 A \* 3/1980 Ramsey ..... 381/368  
4,514,598 A \* 4/1985 Plice ..... 381/368  
4,546,950 A \* 10/1985 Cech ..... 248/610  
4,991,220 A \* 2/1991 Wolf ..... 381/368

6,459,802 B1 \* 10/2002 Young ..... 381/368  
D605,183 S \* 12/2009 Fleischer et al. .... D14/227  
D619,452 S \* 7/2010 Ollila ..... D8/396  
8,054,336 B2 \* 11/2011 Vanderwilt et al. .... 348/211.14  
8,121,333 B2 \* 2/2012 Woolf et al. .... 381/368  
D676,428 S \* 2/2013 Trewartha et al. .... D14/225  
D687,420 S \* 8/2013 Trewartha et al. .... D14/225  
8,783,636 B2 \* 7/2014 Okita ..... 248/316.3  
D710,831 S \* 8/2014 Cooper et al. .... D14/229  
D711,718 S \* 8/2014 Francaviglia ..... D8/72  
D719,140 S \* 12/2014 Sanhui ..... D14/225  
D723,363 S \* 3/2015 Symons ..... D8/396  
2007/0195983 A1 \* 8/2007 Klemme ..... 381/362  
2009/0016558 A1 \* 1/2009 Woolf et al. .... 381/368  
2010/0239113 A1 \* 9/2010 Browne ..... 381/361  
2013/0061430 A1 \* 3/2013 Okita et al. .... 24/303  
2014/0233764 A1 \* 8/2014 Mathis ..... 381/122  
2014/0270311 A1 \* 9/2014 Parker et al. .... 381/361

**OTHER PUBLICATIONS**

Sennheiser, MKE400, Apr. 2008.

\* cited by examiner

*Primary Examiner* — Carla Jobe Wright

*Assistant Examiner* — Holly E Thurman

(74) *Attorney, Agent, or Firm* — Saidman DesignLaw Group, LLC

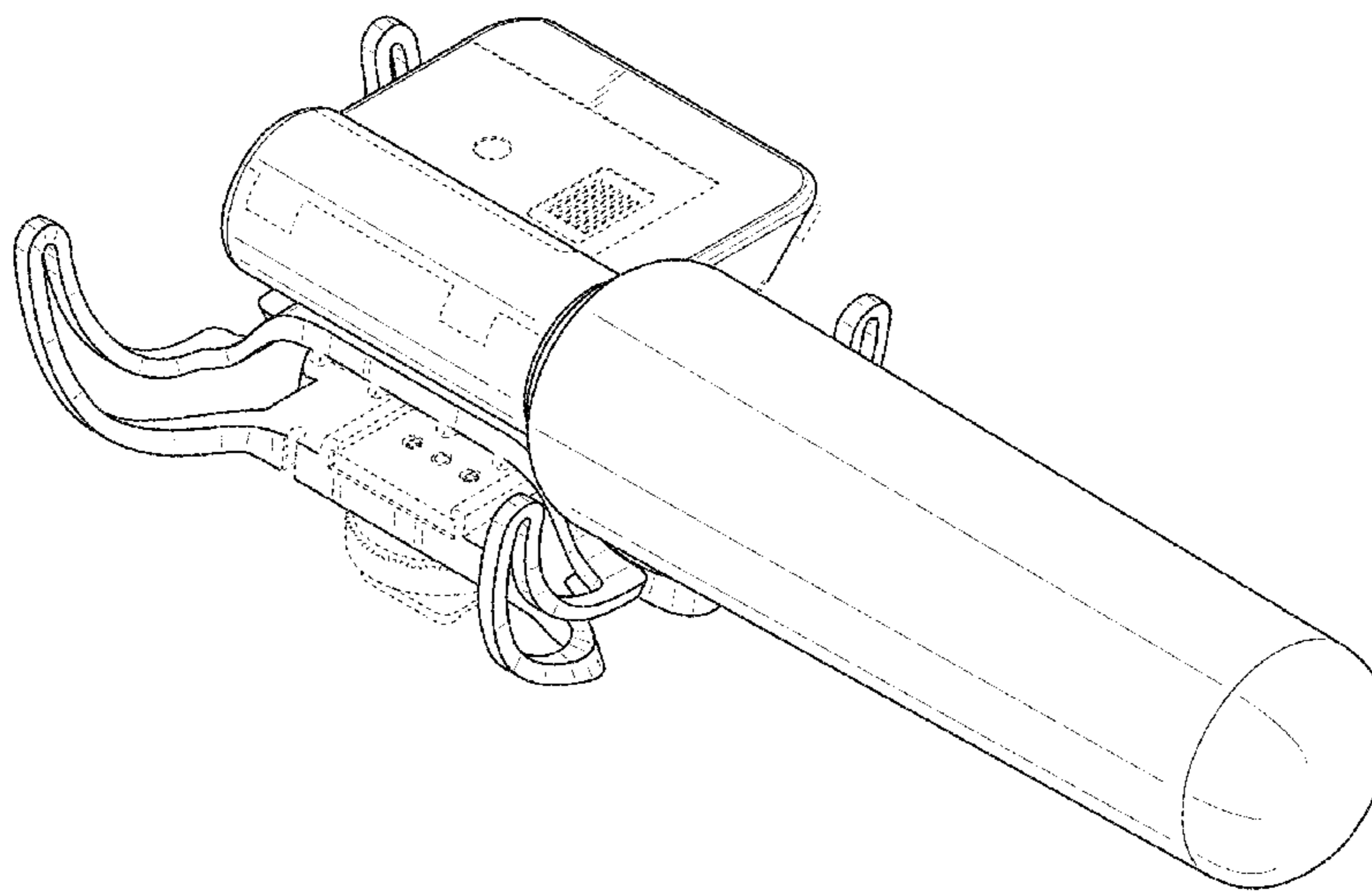
(57) **CLAIM**

The ornamental design for a mount, as shown and described.

**DESCRIPTION**

FIG. 1 is a top, front perspective view of a mount showing our new design;  
FIG. 2 is a bottom, rear perspective view thereof;  
FIG. 3 is a right side view thereof;  
FIG. 4 is a left side view thereof;  
FIG. 5 is a front view thereof;  
FIG. 6 is a rear view thereof;  
FIG. 7 is a top view thereof; and,  
FIG. 8 is a bottom view thereof.

**1 Claim, 7 Drawing Sheets**



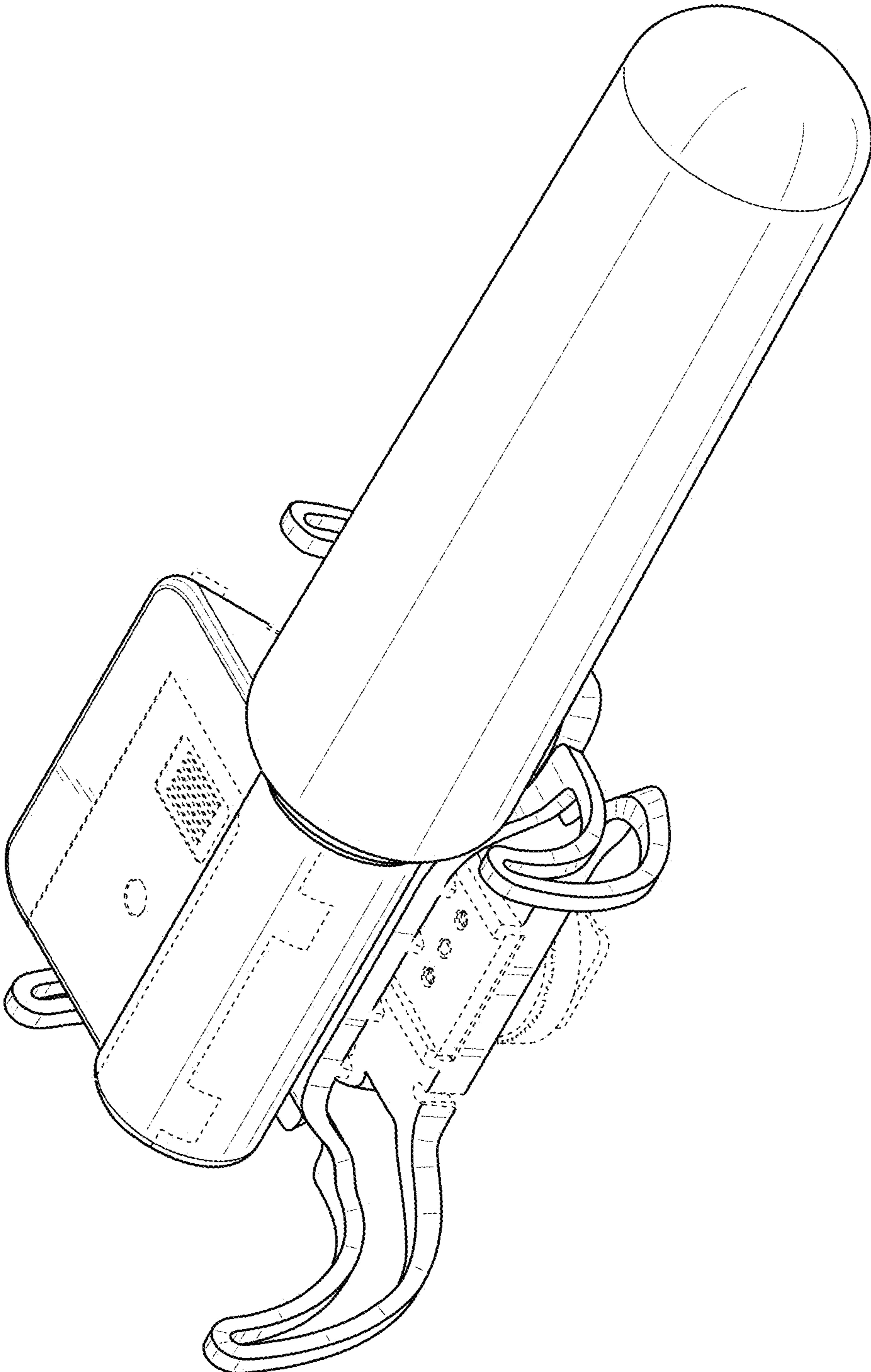


Fig. 1

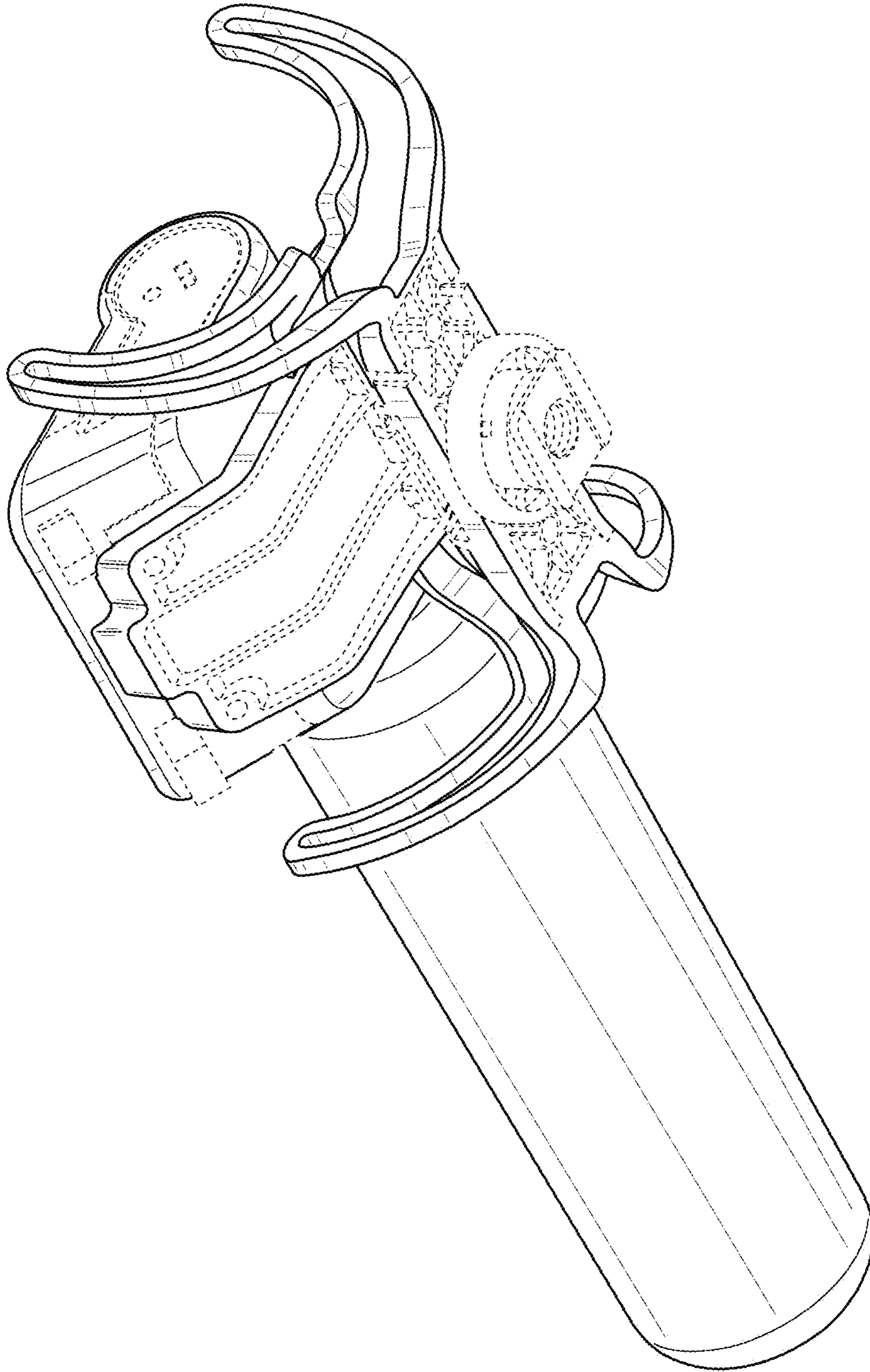


Fig. 2

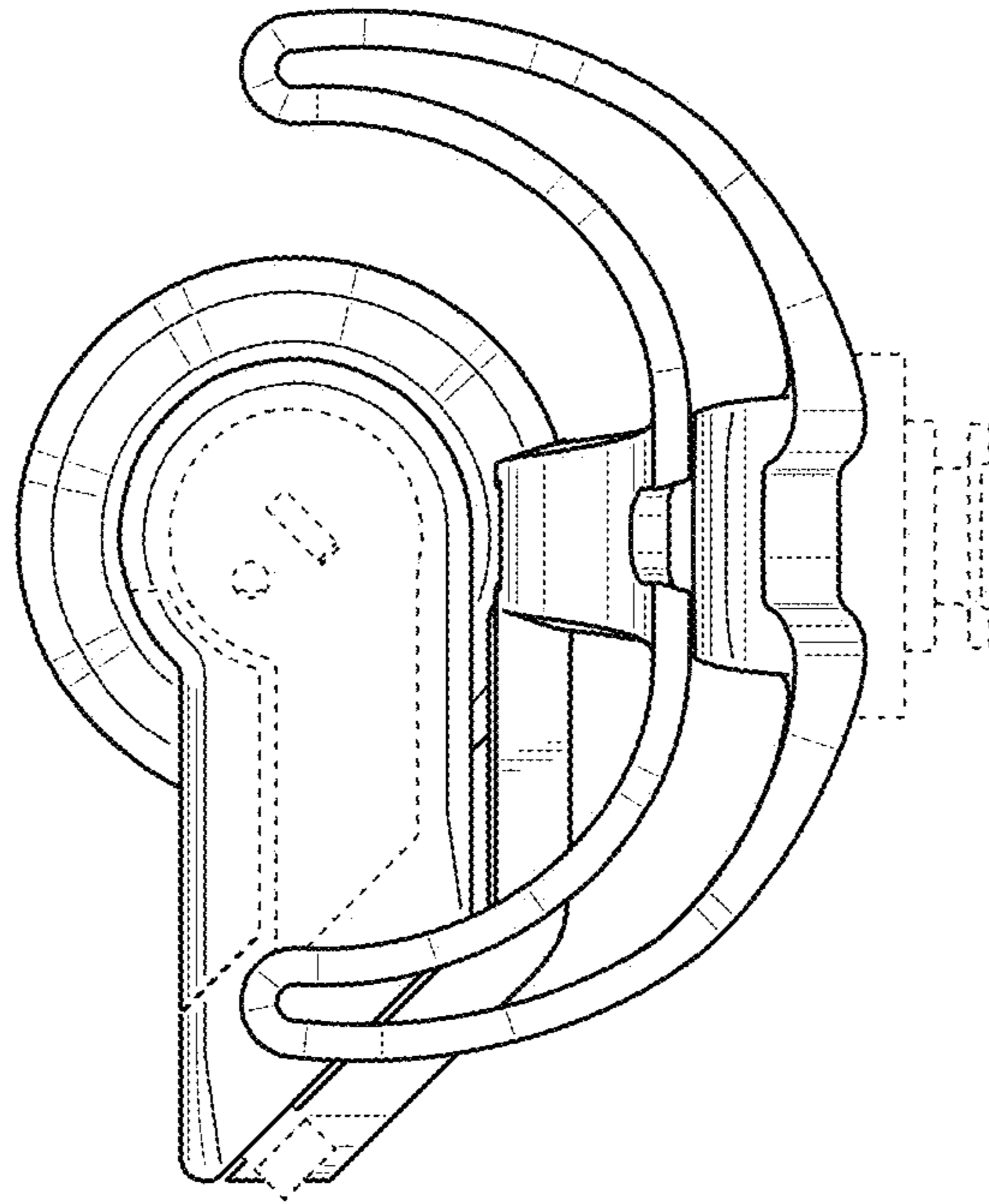


Fig. 4

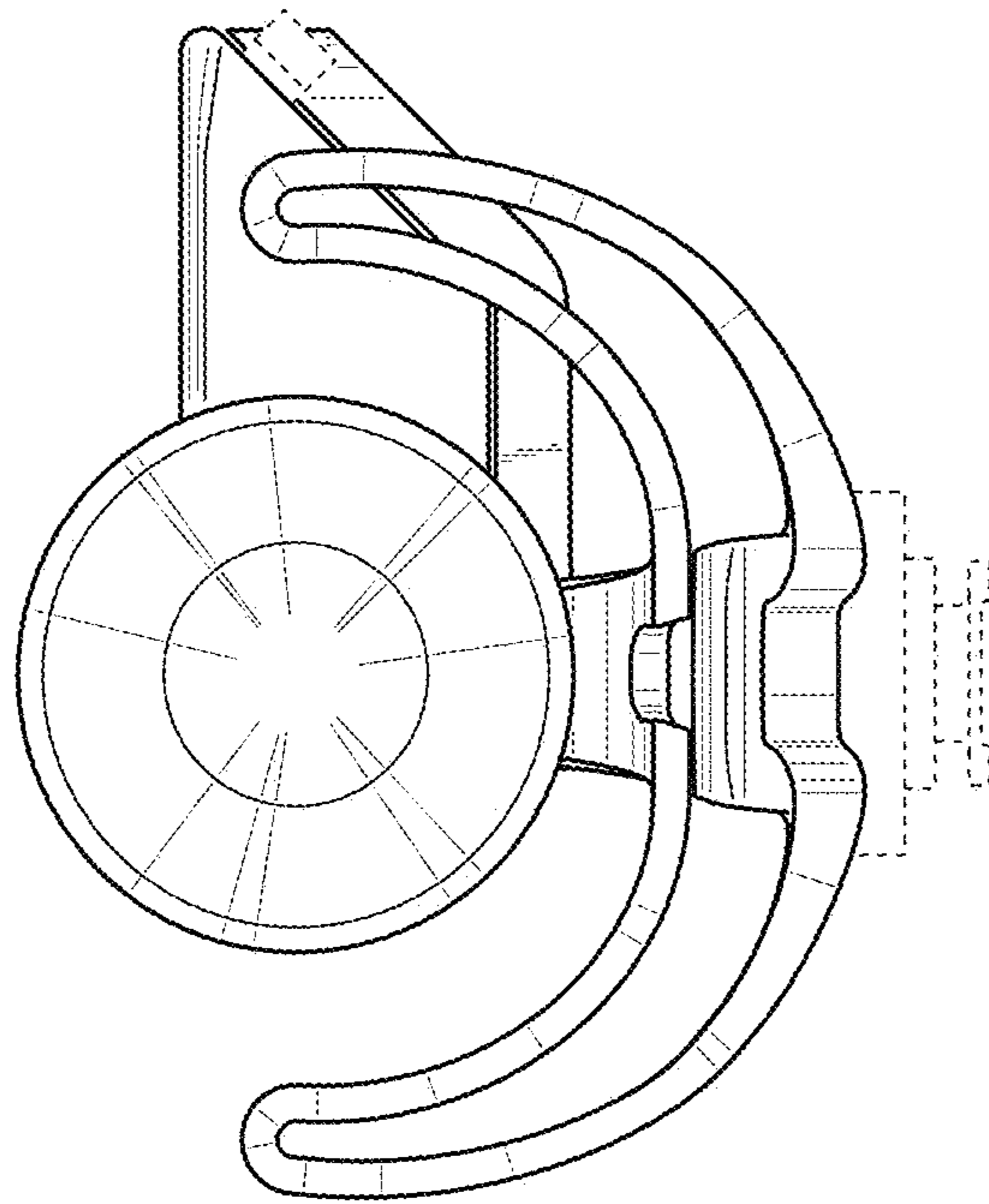


Fig. 3

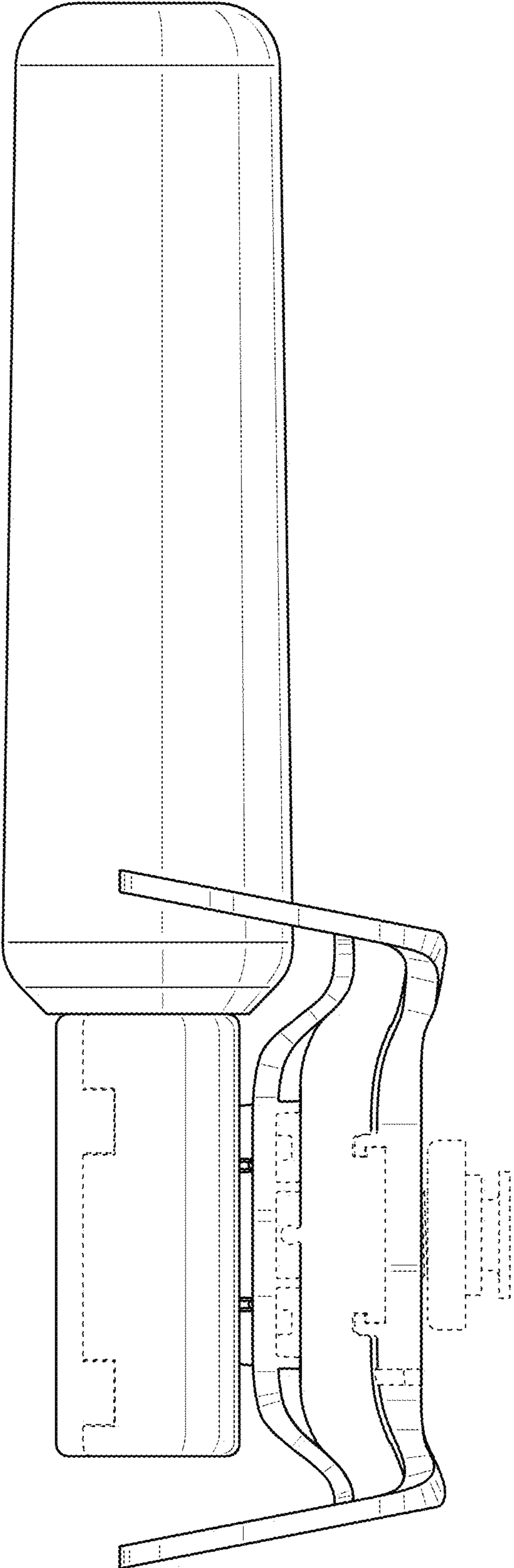


Fig. 5

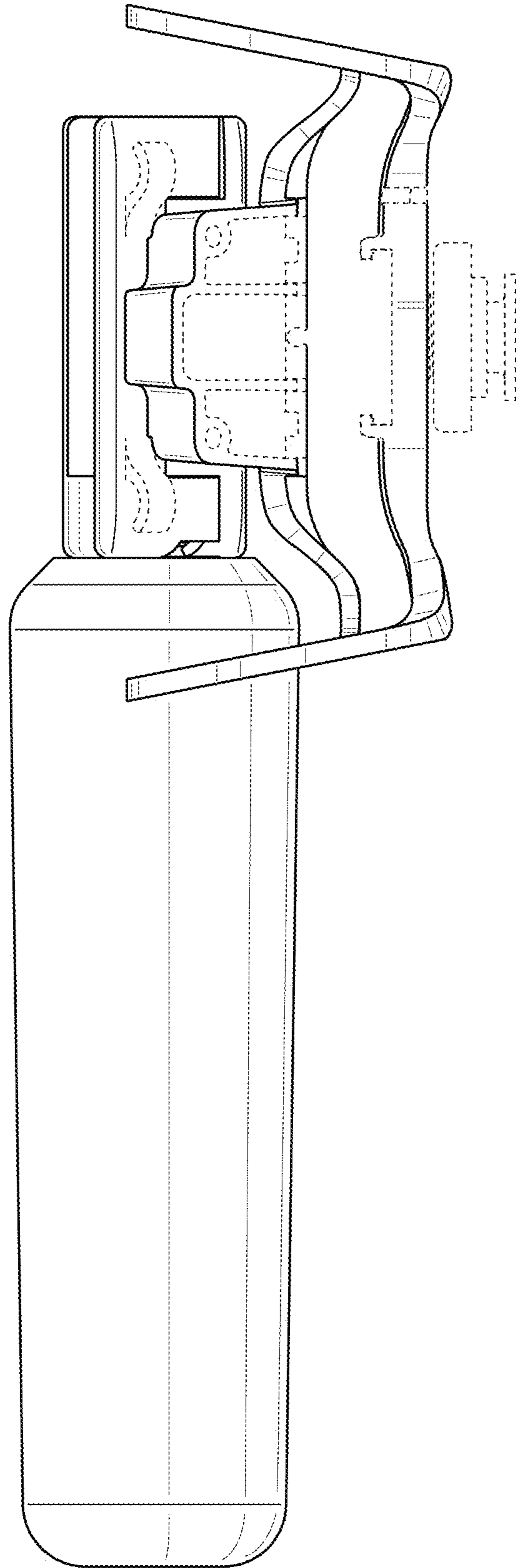
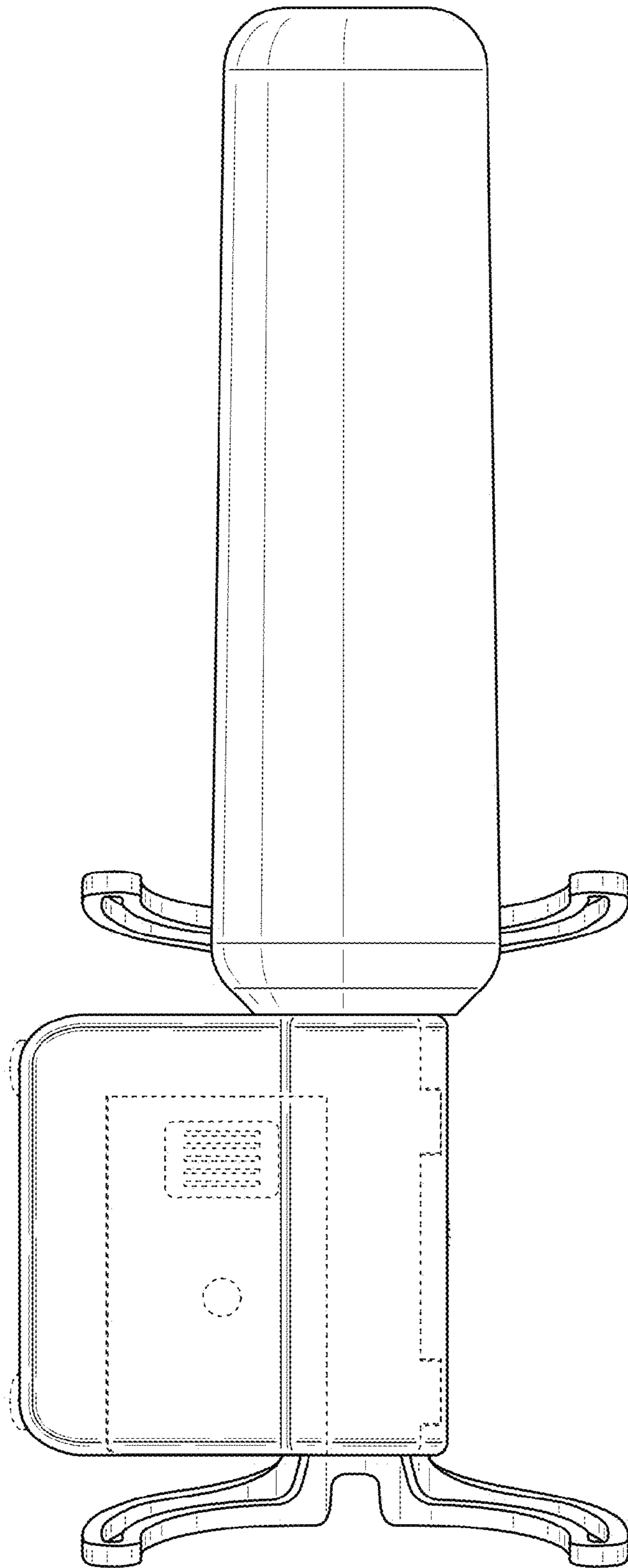
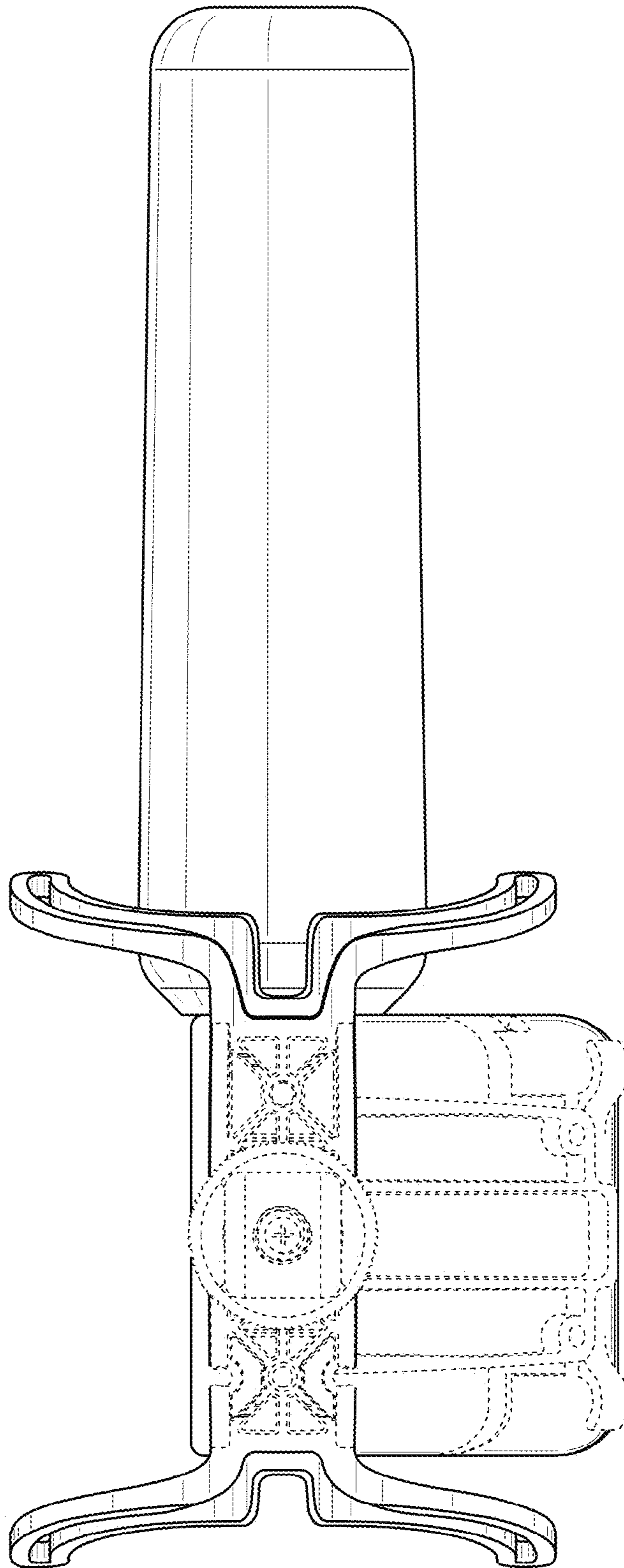


Fig. 6



**Fig. 7**



**Fig. 8**