



US00D736188S

(12) **United States Design Patent**
Cavero et al.

(10) **Patent No.:** **US D736,188 S**

(45) **Date of Patent:** **** Aug. 11, 2015**

(54) **WIRELESS WEARABLE MICROPHONE**

(56) **References Cited**

(71) Applicants: **Dio C Cavero**, North Merrick, NY (US);
Mathieu Zastawny, Jersey City, NJ (US); **Adam S Sanchez**, Nutley, NJ (US); **Timothy D Root**, Nashua, NH (US); **Marc Cremer**, Sharon, MA (US); **Jean-Pierre Carney**, Sudbury, MA (US); **Holger Stoltze**, Billerica, MA (US); **Stephen Lyman**, Hudson, MA (US); **Jonathan Schau**, Sudbury, MA (US); **Klaus Hartung**, Hopkinton, MA (US)

U.S. PATENT DOCUMENTS

D558,742	S	*	1/2008	Koller et al.	D14/225
D568,877	S	*	5/2008	Bodley et al.	D14/225
D577,715	S	*	9/2008	Lim et al.	D14/240
D598,891	S	*	8/2009	Naito	D14/167
D602,918	S	*	10/2009	Bodley et al.	D14/225
D602,919	S	*	10/2009	Bodley et al.	D14/225
D604,723	S	*	11/2009	Bodley et al.	D14/225
D646,280	S	*	10/2011	Yano	D14/412
D688,706	S	*	8/2013	Lee et al.	D14/496
D695,787	S	*	12/2013	Otani et al.	D14/496
D702,732	S	*	4/2014	Wu	D14/496

* cited by examiner

(72) Inventors: **Dio C Cavero**, North Merrick, NY (US); **Mathieu Zastawny**, Jersey City, NJ (US); **Adam S Sanchez**, Nutley, NJ (US); **Timothy D Root**, Nashua, NH (US); **Marc Cremer**, Sharon, MA (US); **Jean-Pierre Carney**, Sudbury, MA (US); **Holger Stoltze**, Billerica, MA (US); **Stephen Lyman**, Hudson, MA (US); **Jonathan Schau**, Sudbury, MA (US); **Klaus Hartung**, Hopkinton, MA (US)

Primary Examiner — Susan Bennett Hattan

Assistant Examiner — Leanne Was

(74) *Attorney, Agent, or Firm* — Robert Schuler

(57) **CLAIM**

The ornamental design for a wireless wearable microphone, as shown and described.

DESCRIPTION

FIG. 1 is a perspective view showing the top, front and right sides of a wireless wearable microphone.

FIG. 2 is a front side elevation view of the wireless wearable microphone in FIG. 1.

FIG. 3 is a back side elevation view of the wireless wearable microphone in FIG. 1.

FIG. 4 is a right side elevation view of the wireless wearable microphone in FIG. 1.

FIG. 5 is a left side elevation view of the wireless wearable microphone in FIG. 1.

FIG. 6 is a top plan view of the wireless wearable microphone in FIG. 1; and,

FIG. 7 is a bottom plan view of the wireless wearable microphone.

The broken lines in FIG. 3 depict portions of the wireless wearable microphone that form no part of the claim design.

(73) Assignee: **RevoLabs, Inc.**, Sudbury, MA (US)

(**) Term: **14 Years**

(21) Appl. No.: **29/495,127**

(22) Filed: **Jun. 27, 2014**

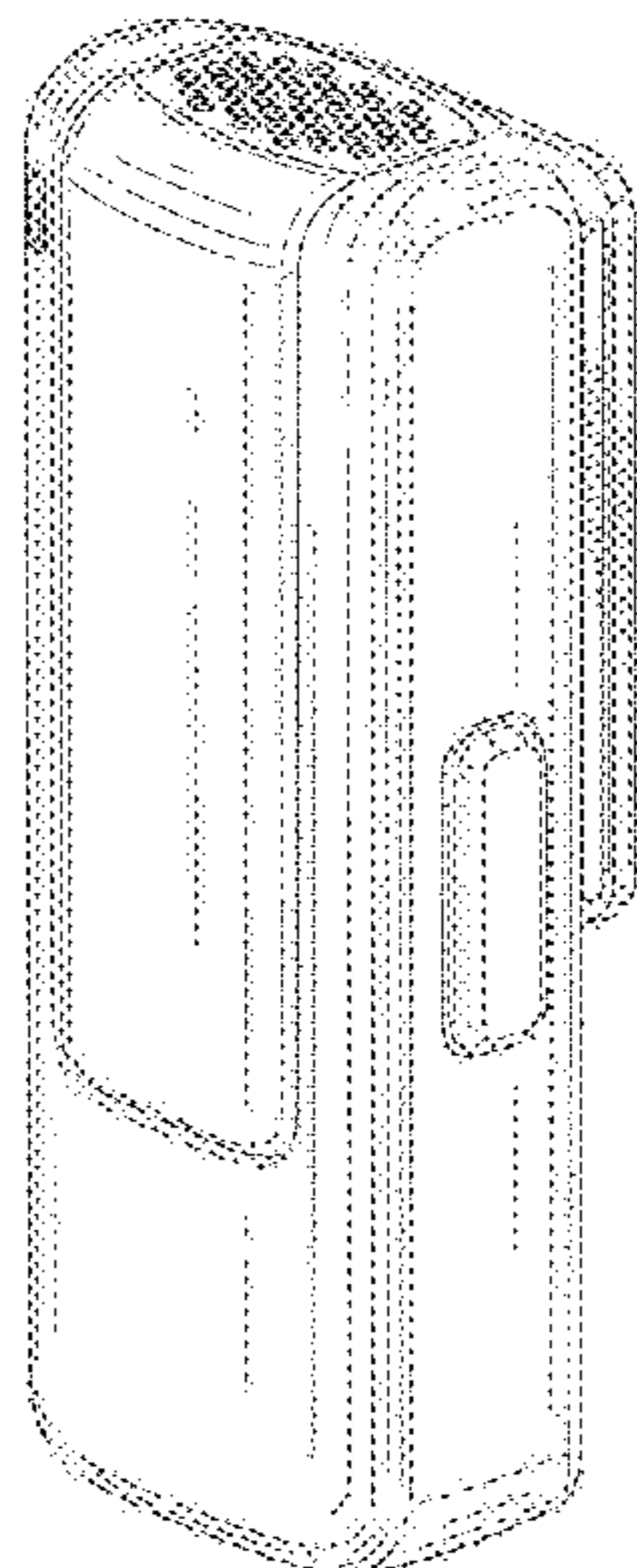
(51) **LOC (10) Cl.** **14-01**

(52) **U.S. Cl.**
USPC **D14/225**

(58) **Field of Classification Search**
USPC D13/168, 184; D14/137, 138 R, 155,
D14/172, 192, 217, 218, 224–229, 240;
D16/237; 181/158; 379/430, 432;
381/355, 361; 455/351

See application file for complete search history.

1 Claim, 6 Drawing Sheets



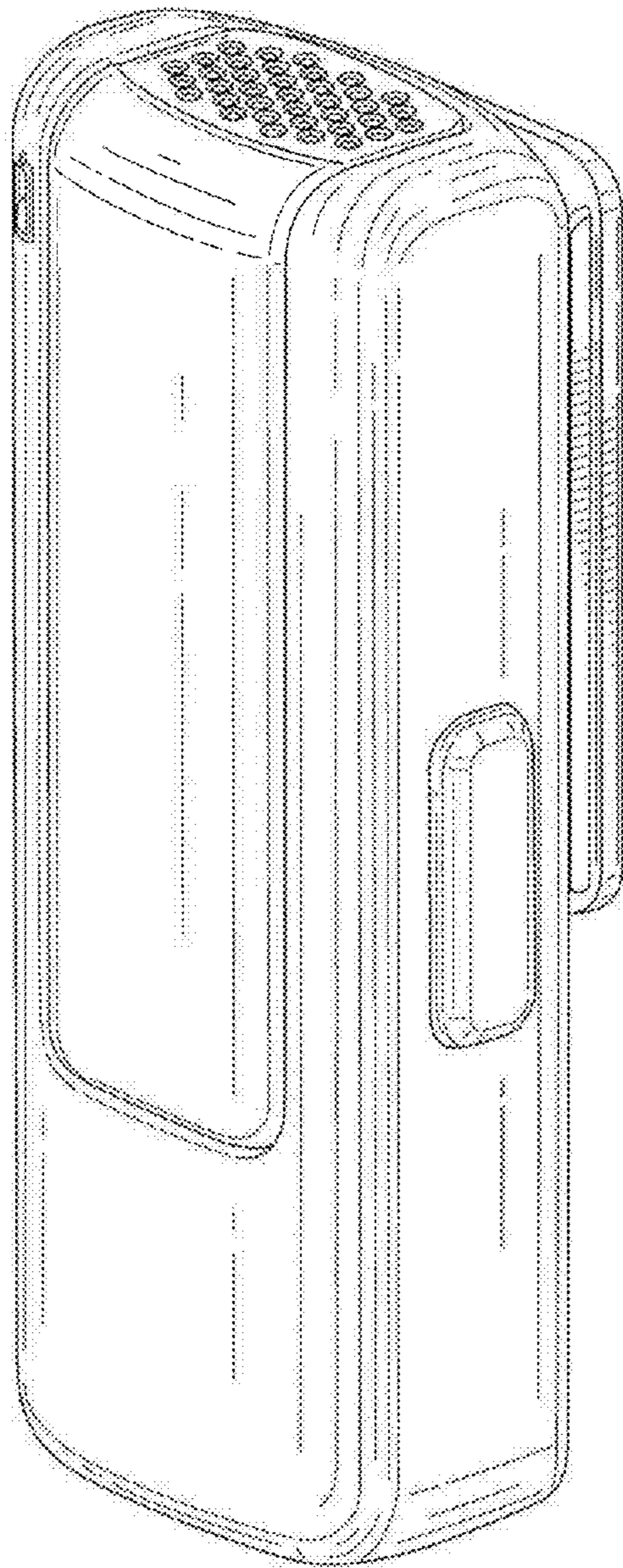


FIG. 1

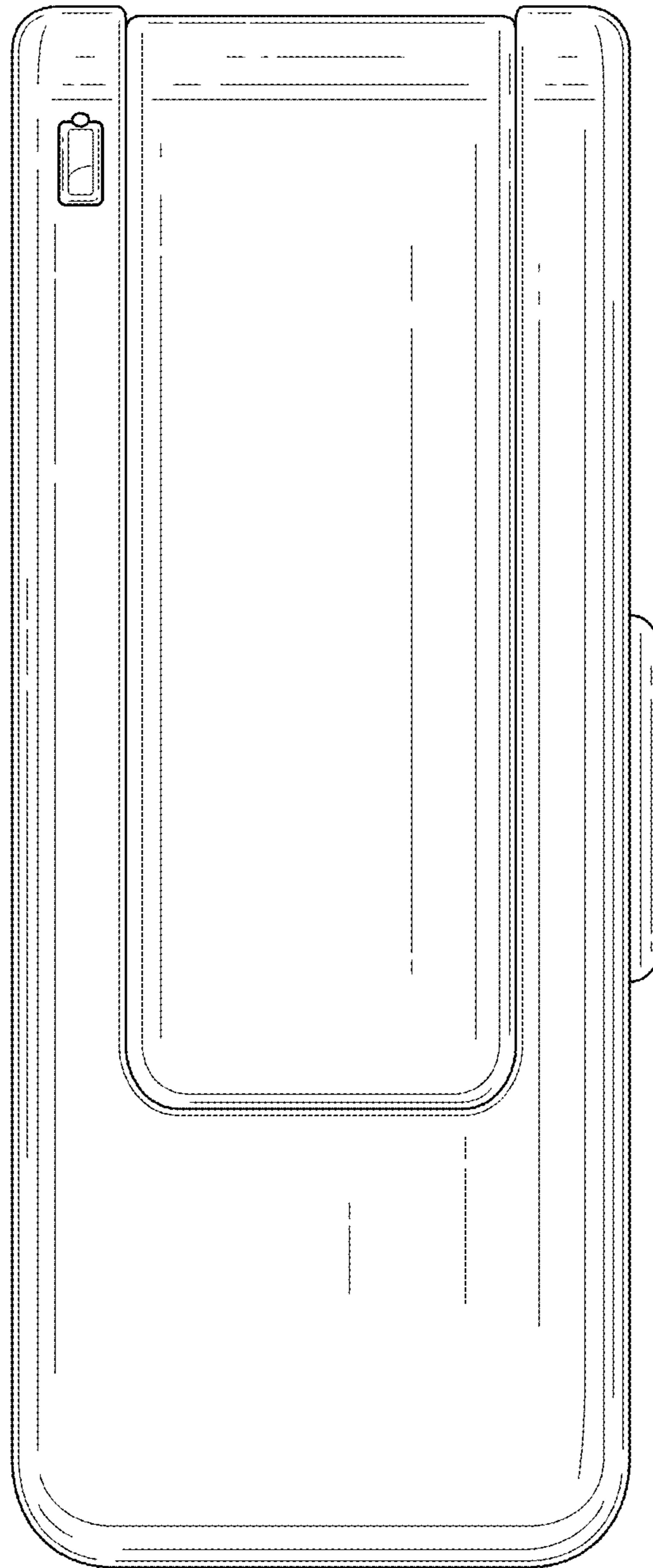


FIG. 2

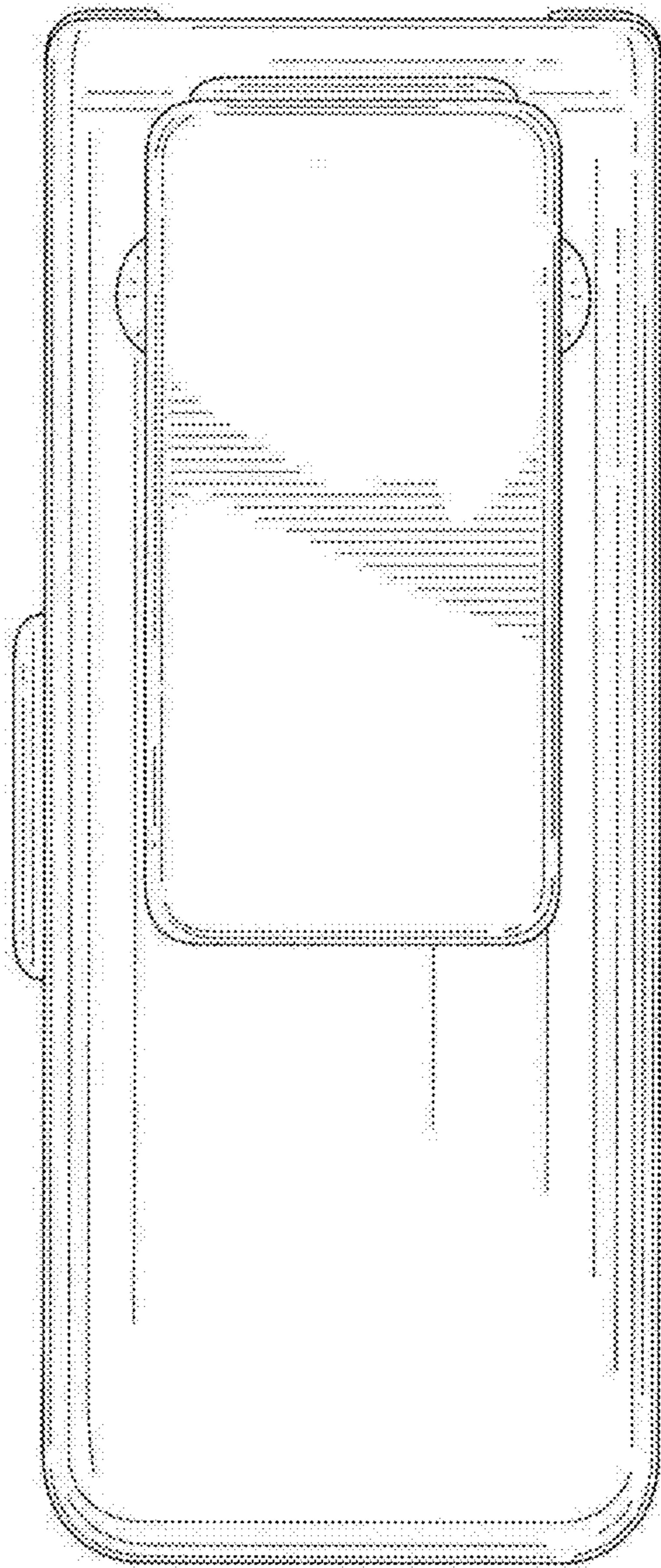


FIG. 3

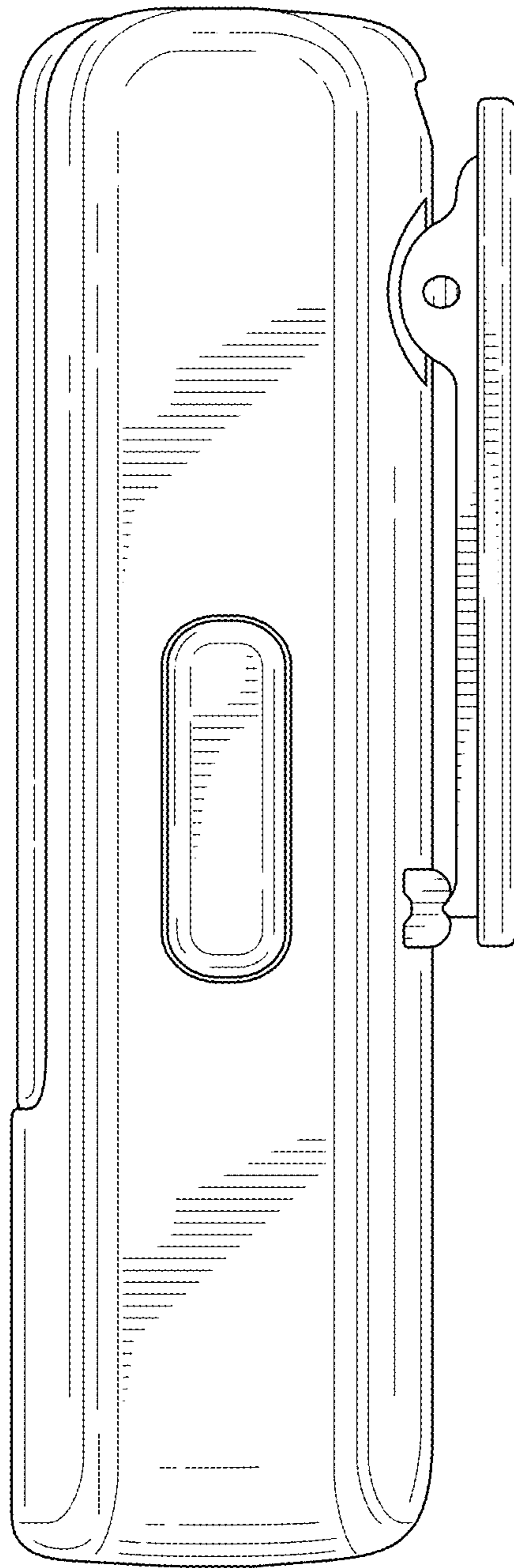


FIG. 4

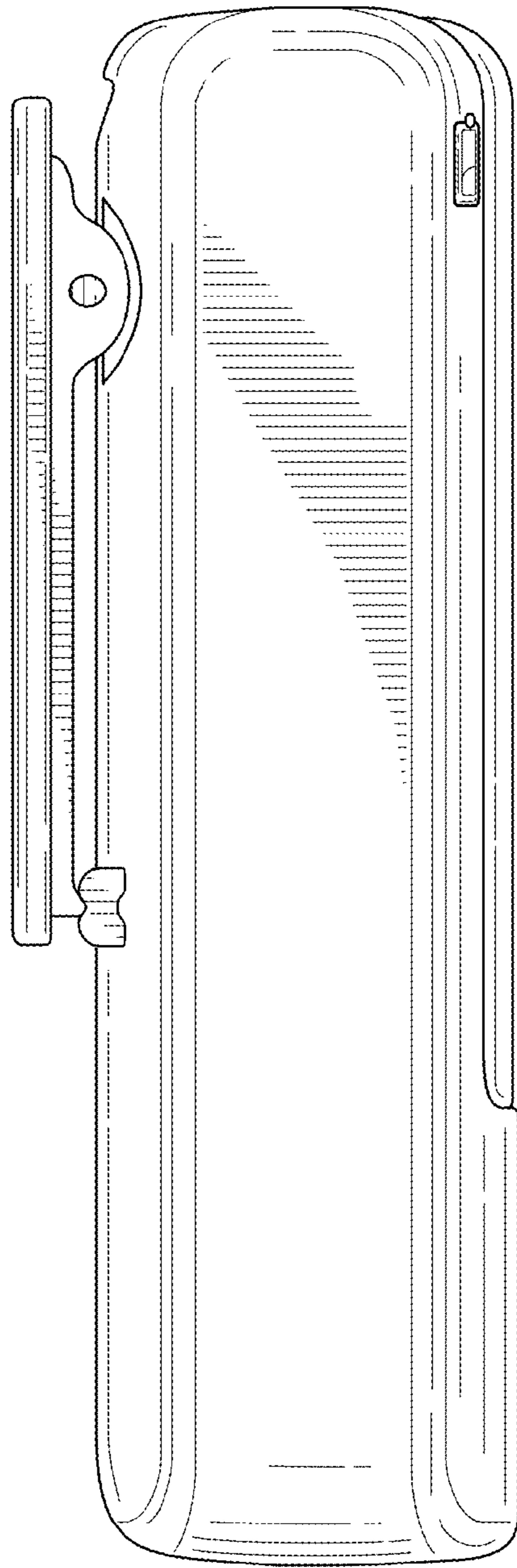


FIG. 5

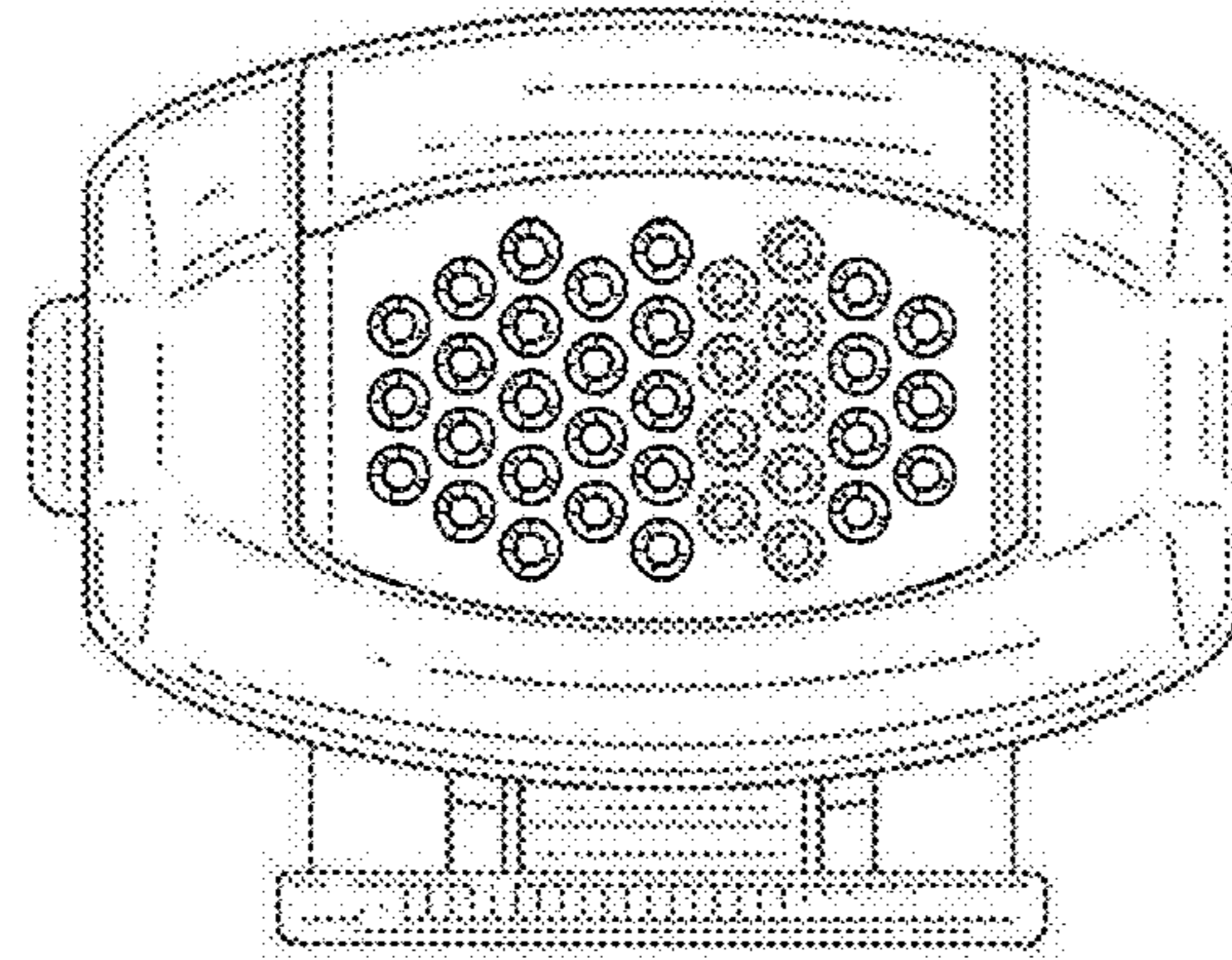


FIG. 6

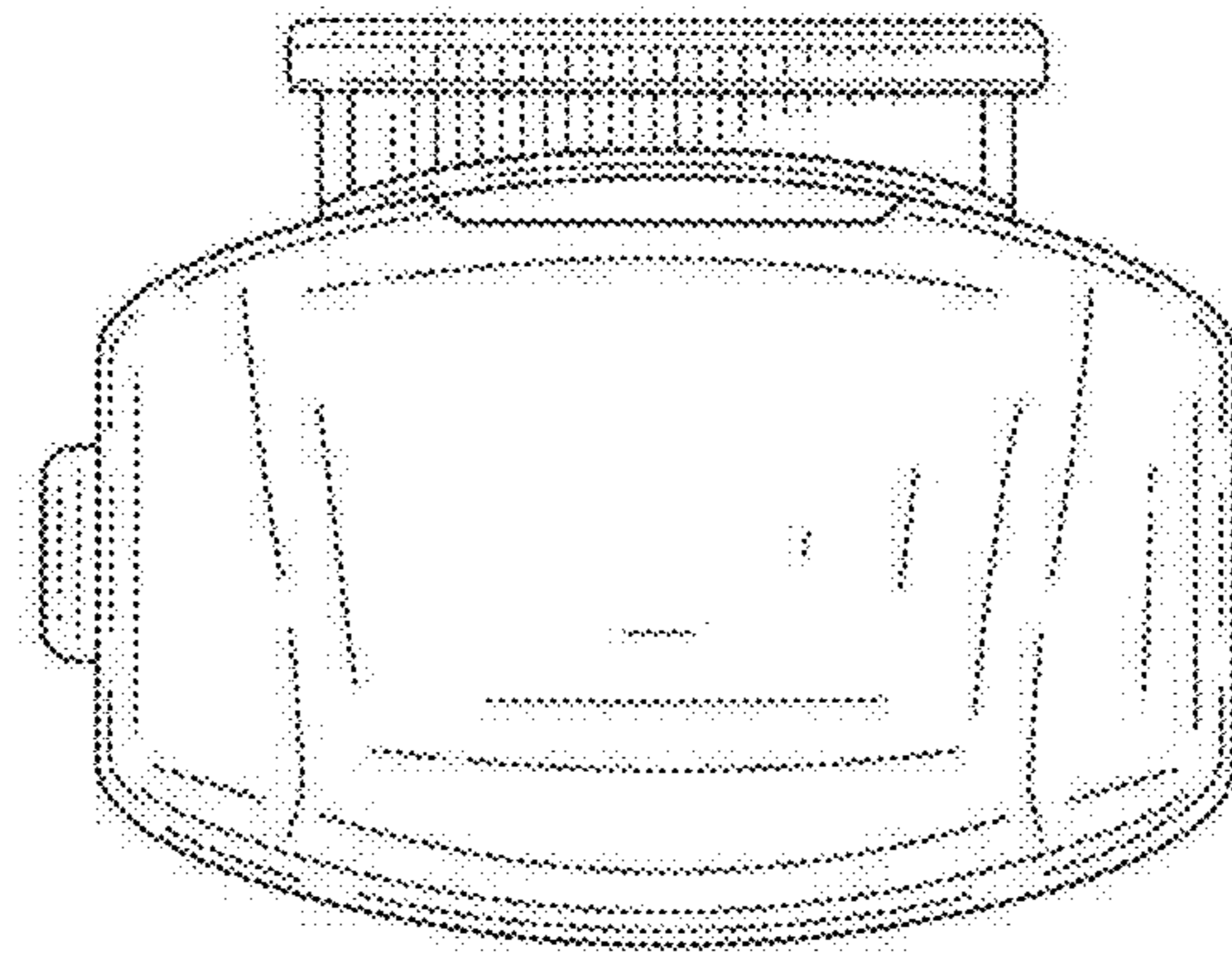


FIG. 7