



US00D736187S

(12) **United States Design Patent**  
**Cooper et al.**

(10) **Patent No.:** **US D736,187 S**  
(45) **Date of Patent:** **\*\* Aug. 11, 2015**

- (54) **MICROPHONE**
- (71) Applicant: **Freedman Electronics Pty. Ltd.**,  
Silverwater, NSW (AU)
- (72) Inventors: **Peter Noel Cooper**, Bronte (AU);  
**Samuel Dean Trewartha**, Petersham  
(AU)
- (73) Assignee: **Freedman Electronics Pty. Ltd.** (AU)
- (\*\*) Term: **14 Years**
- (21) Appl. No.: **29/485,987**
- (22) Filed: **Mar. 25, 2014**

D385,885 S *	11/1997	Liao .....	D14/227
D478,068 S	8/2003	Sundquist et al.	
D479,227 S	9/2003	Marshall	
D479,837 S	9/2003	Sundquist et al.	
D530,706 S	10/2006	Gustafson et al.	
D531,171 S	10/2006	Gustafson et al.	
D542,262 S	5/2007	Oka	
D578,994 S	10/2008	Oka	
D581,898 S *	12/2008	Oka .....	D14/167
D621,386 S *	8/2010	Chang .....	D14/216
D623,172 S	9/2010	Kondo et al.	
D623,631 S *	9/2010	Kung .....	D14/228
D649,524 S	11/2011	Miyazaki	
D658,163 S	4/2012	Iikura	
8,229,133 B2 *	7/2012	Matsui .....	381/91
D683,714 S *	6/2013	Ito et al. ....	D14/167
D707,207 S *	6/2014	Cooper et al. ....	D14/225
D708,600 S *	7/2014	Trewartha et al. ....	D14/225
D720,728 S *	1/2015	Trewartha .....	D14/225
2015/0086058 A1 *	3/2015	Harms et al. ....	381/369

**Related U.S. Application Data**

- (62) Division of application No. 29/443,788, filed on Jan. 22, 2013, now Pat. No. Des. 707,207.
- (51) **LOC (10) Cl.** ..... **14-01**
- (52) **U.S. Cl.**  
USPC ..... **D14/225**
- (58) **Field of Classification Search**  
USPC ..... D14/155, 167, 225, 226, 227, 243, 249,  
D14/497; D16/208; D17/99; D21/513;  
381/369, 355, 92, 174; 446/416;  
455/575.2; 181/158, 242  
CPC ..... H04M 1/00; H04R 1/08; H04R 1/086;  
H04R 5/00; H04R 25/00  
See application file for complete search history.

(56) **References Cited**

**U.S. PATENT DOCUMENTS**

2,910,539 A	10/1959	Hartsfield	
3,459,902 A	8/1969	Warning	
D278,625 S *	4/1985	Mathiasen .....	D14/228
D296,099 S *	6/1988	Kubota .....	D14/227
D296,100 S	6/1988	Kubota	
4,789,044 A	12/1988	Akino	
4,811,405 A	3/1989	Peiker	
D313,802 S	1/1991	Peiker	
D327,480 S	6/1992	Soren	

\* cited by examiner

*Primary Examiner* — Carla Jobe Wright

*Assistant Examiner* — Holly E Thurman

(74) *Attorney, Agent, or Firm* — Saidman DesignLaw Group, LLC

(57) **CLAIM**

The ornamental design for a microphone, as shown and described.

**DESCRIPTION**

FIG. 1 is a perspective view of a microphone showing our new design;

FIG. 2 is a front view thereof;

FIG. 3 is a rear view thereof;

FIG. 4 is a left side view thereof;

FIG. 5 is a right side view thereof;

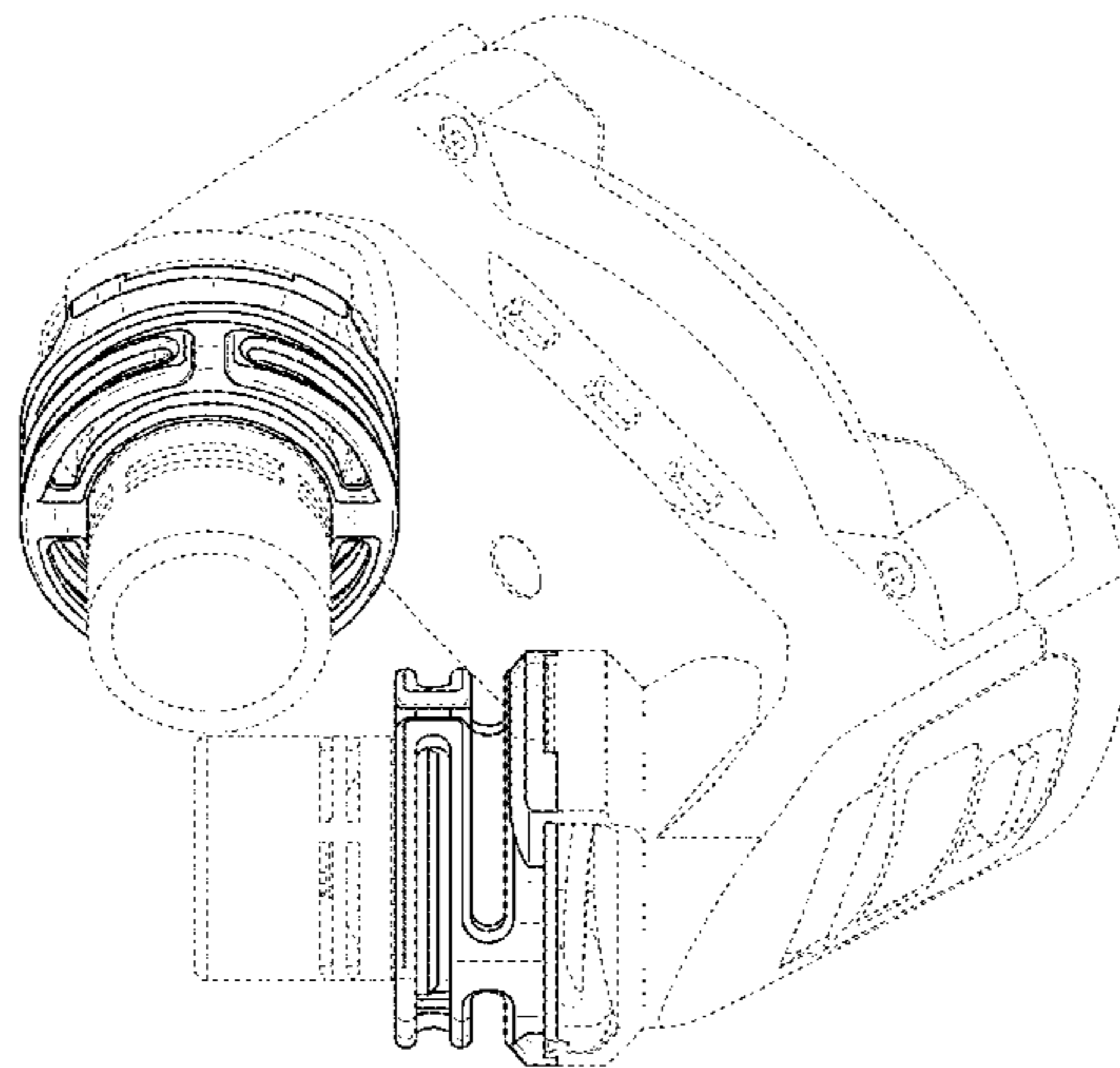
FIG. 6 is a top view thereof; and,

FIG. 7 is a bottom view thereof.

The relatively thin shade lines represent contour, not surface decoration.

The broken lines illustrate environmental structure and form no part of the claimed design.

**1 Claim, 5 Drawing Sheets**



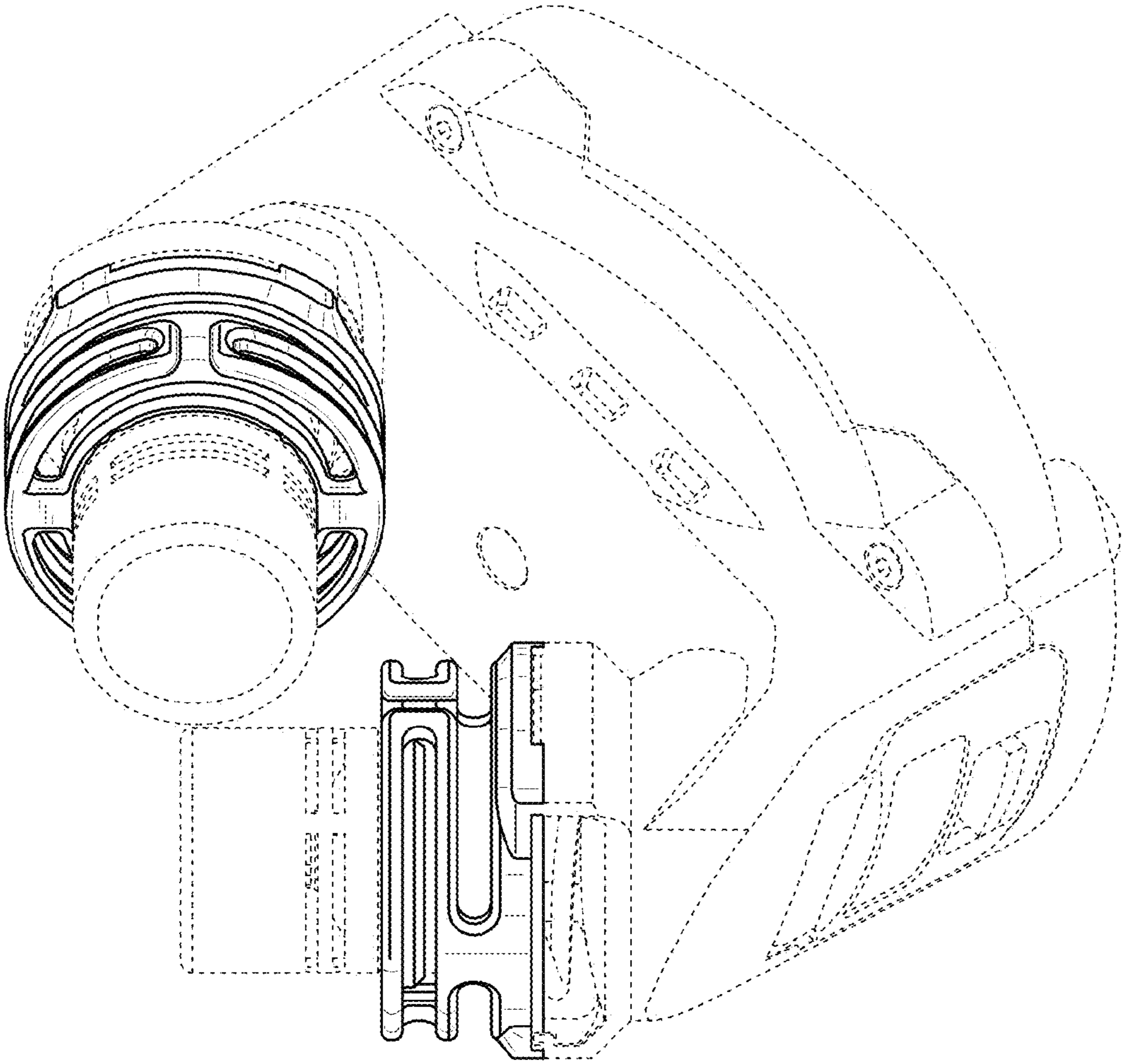
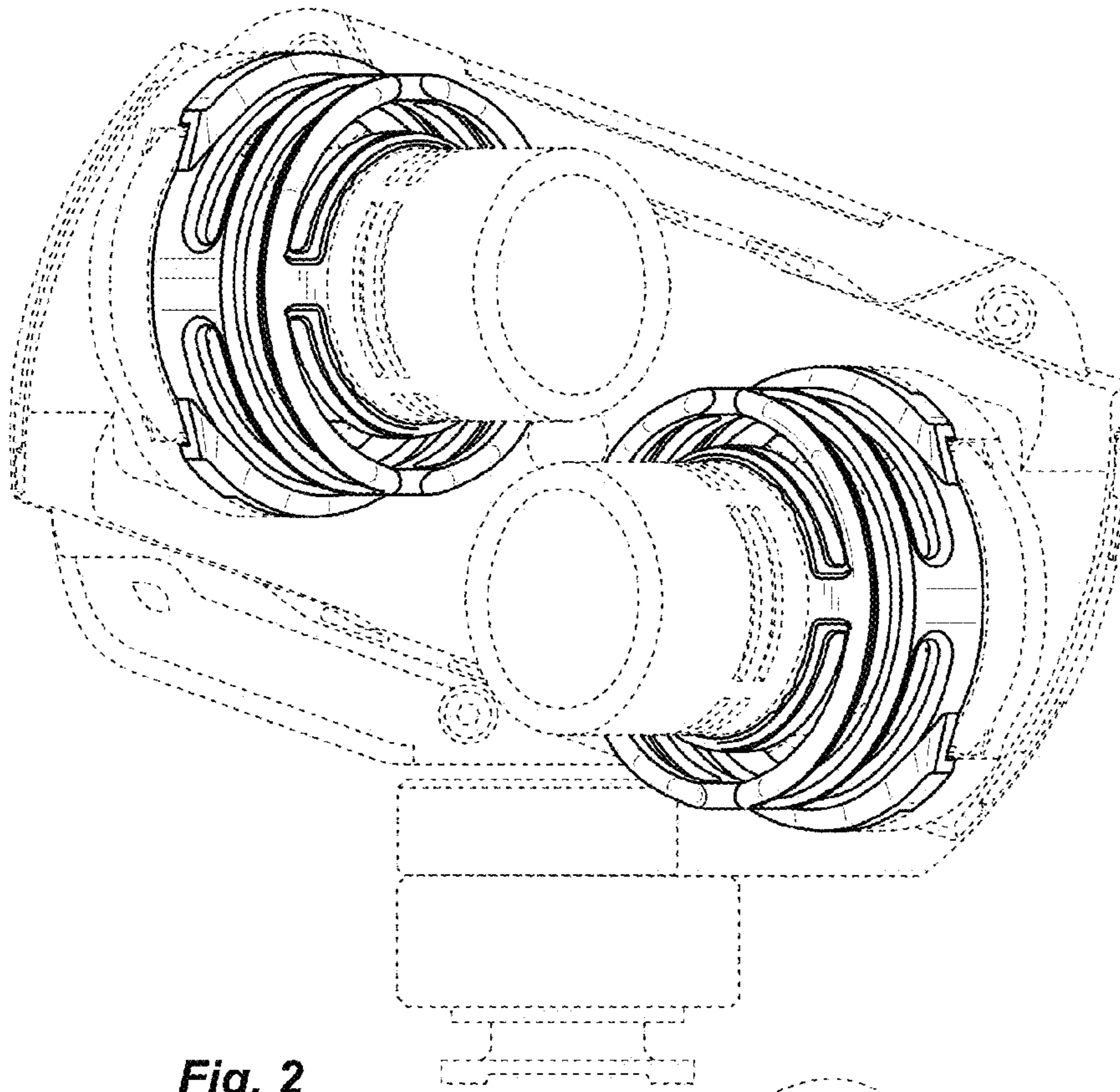
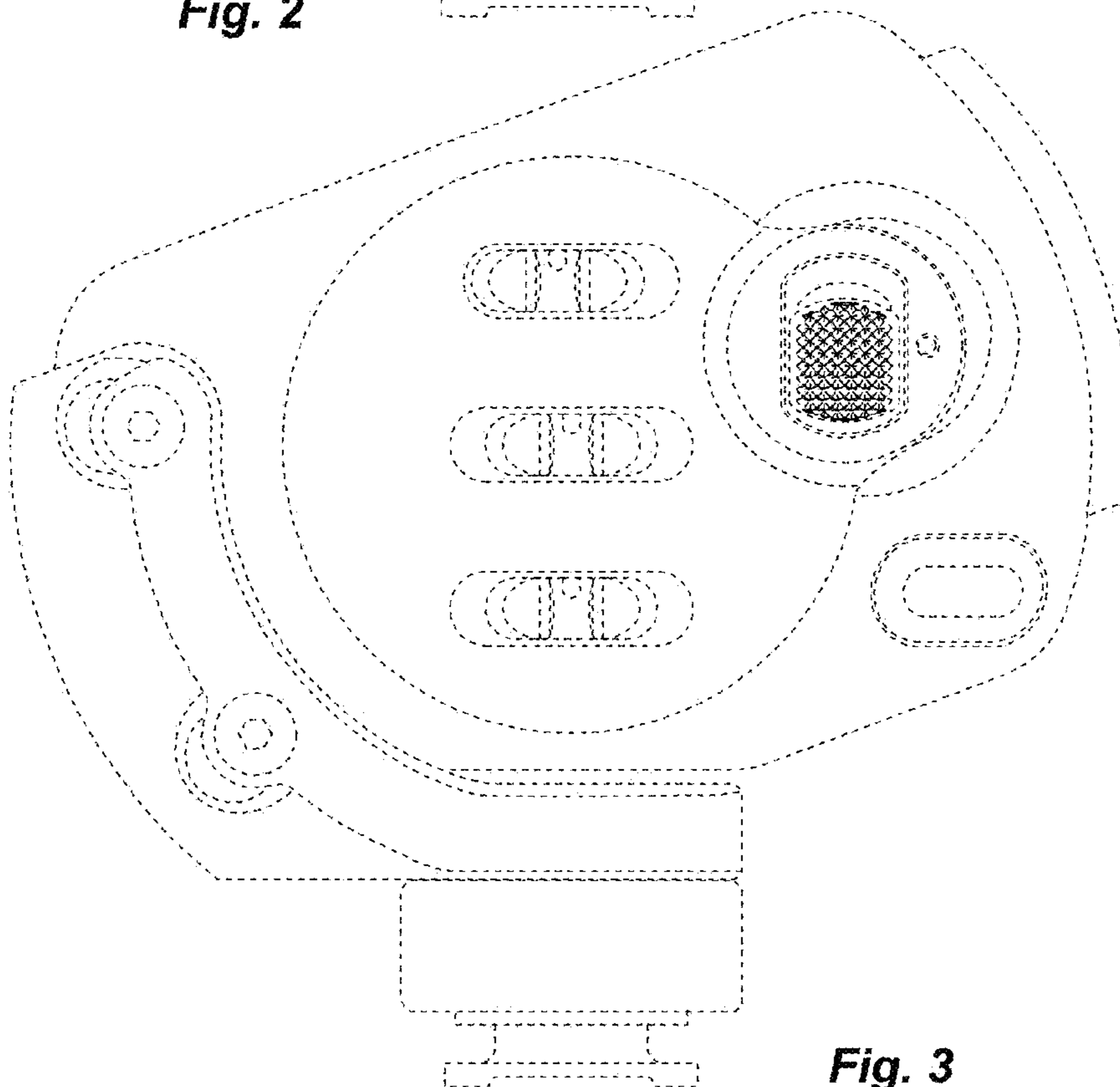


Fig. 1



**Fig. 2**



**Fig. 3**

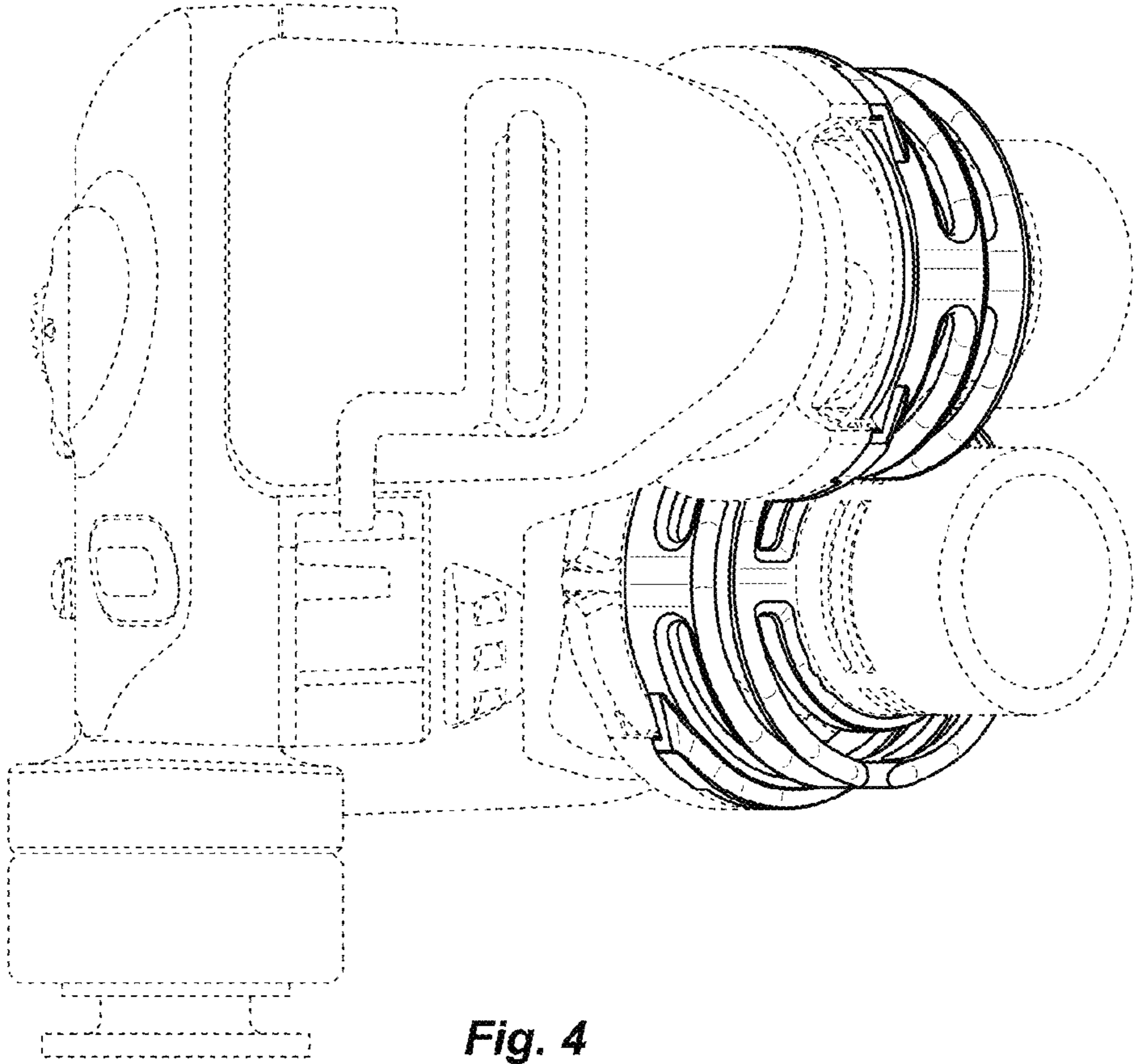


Fig. 4

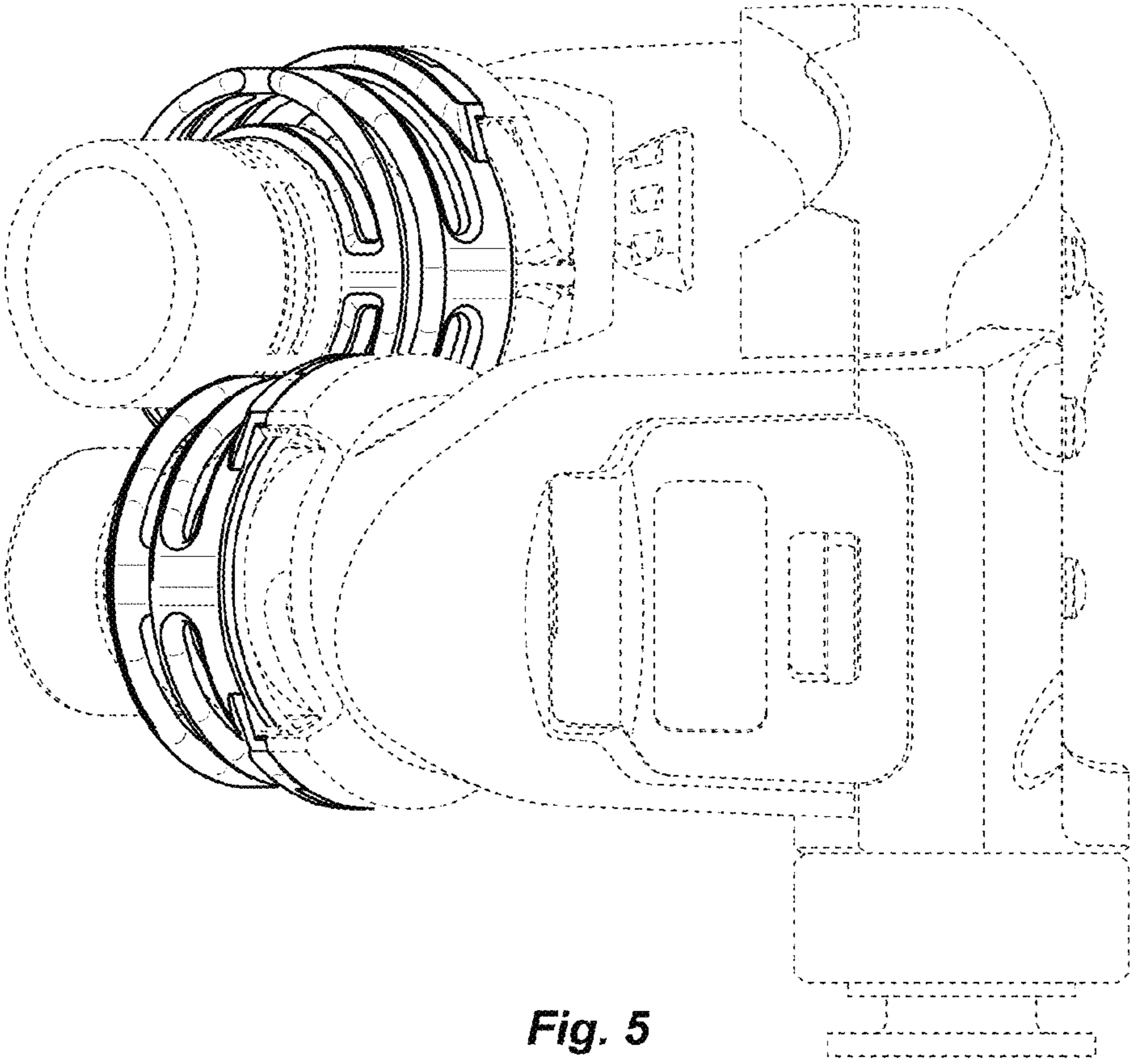


Fig. 5

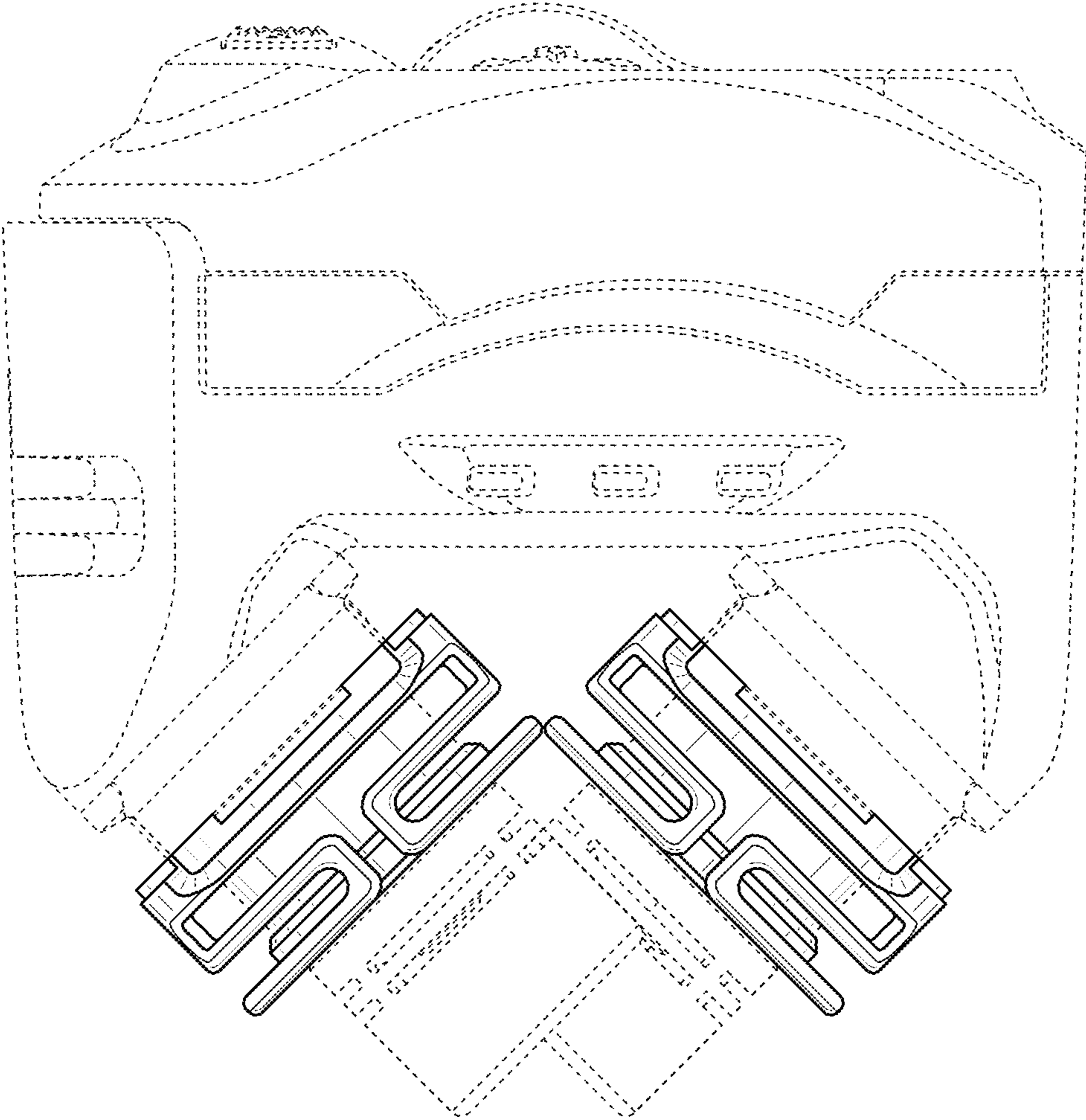
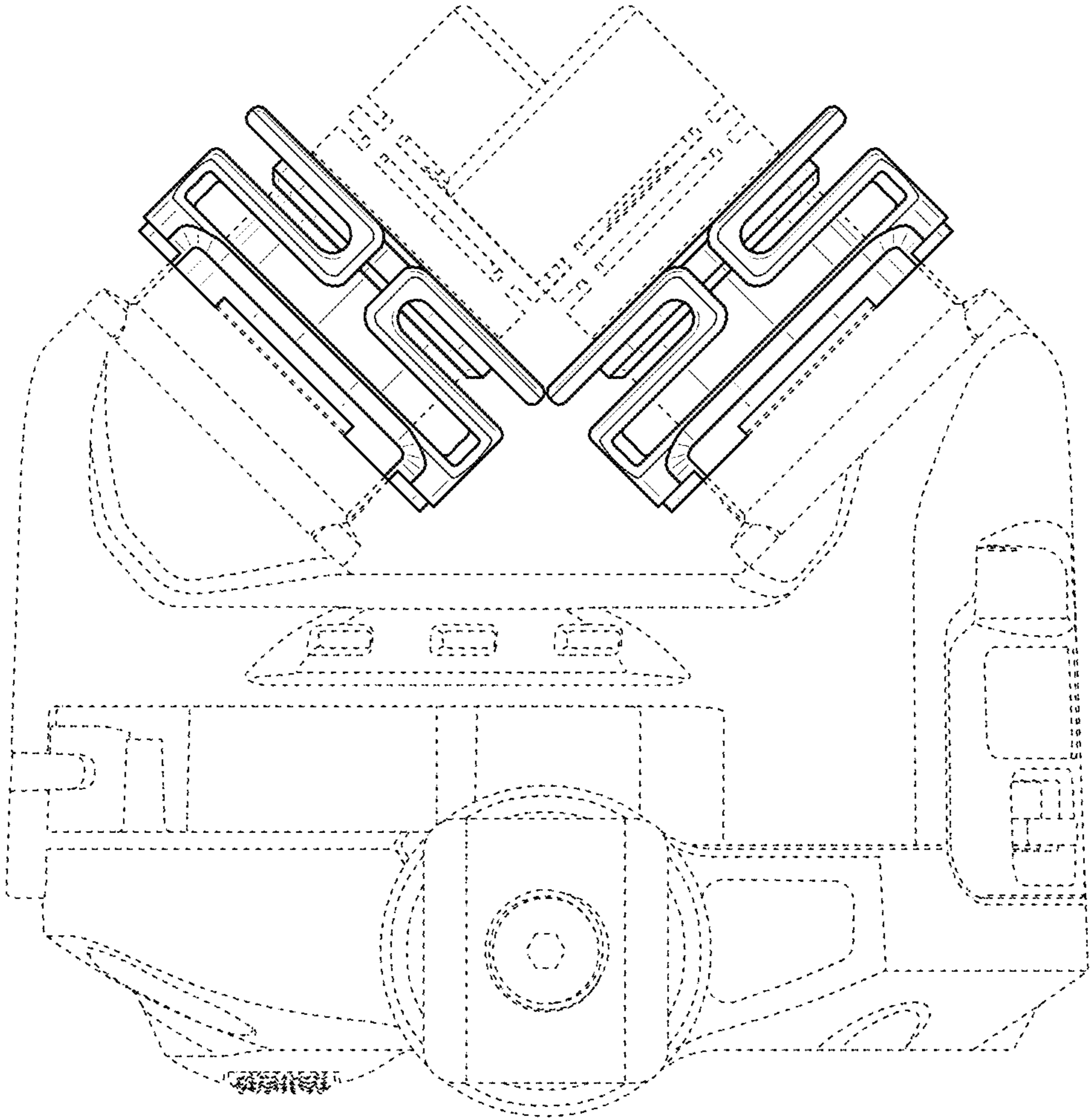


Fig. 6



**Fig. 7**