

US00D736186S

(12) **United States Design Patent**
Kauppila et al.

(10) **Patent No.:** **US D736,186 S**

(45) **Date of Patent:** **** Aug. 11, 2015**

(54) **MICROPHONE BOX WITH DOME SHAPED CAP**

(71) Applicant: **TRICK TECHNOLOGIES OY**, Espoo (FI)

(72) Inventors: **Timo Kauppila**, Espoo (FI); **Lasse Korpela**, Espoo (FI); **Mikelis Studers**, Helsinki (FI); **Pyry Taanila**, Espoo (FI)

(73) Assignee: **TRICK TECHNOLOGIES OY**, Espoo (FI)

(**) Term: **14 Years**

(21) Appl. No.: **29/453,036**

(22) Filed: **Apr. 24, 2013**

(30) **Foreign Application Priority Data**

Oct. 31, 2012 (EM) 002127928-0001

(51) **LOC (10) Cl.** **14-01**

(52) **U.S. Cl.**
USPC **D14/225**; D14/229

(58) **Field of Classification Search**
USPC D14/142, 168, 203.1, 204-207, D14/210-221, 223-229, 509; 381/91, 162, 381/322, 354-361, 380, 386, 395; 215/10; D6/601; D21/499, 589, 333; D13/102
See application file for complete search history.

(56) **References Cited**

U.S. PATENT DOCUMENTS

1,465,637 A * 8/1923 Goss 434/403
D141,340 S * 5/1945 Greenfield D21/499
2,631,747 A * 3/1953 Stolte 215/10
2,718,563 A * 9/1955 Nicholides 381/162
D214,452 S * 6/1969 Christiansen D14/225
D229,068 S * 11/1973 Engle D14/212

4,167,985 A * 9/1979 Dunlavy 181/148
D280,219 S * 8/1985 Suzuki D21/589
D338,798 S * 8/1993 Grzybinski D6/601
D386,764 S * 11/1997 Lake D14/225
5,881,156 A * 3/1999 Treni et al. 381/91
5,937,074 A * 8/1999 Carver 381/395
D449,036 S * 10/2001 Weikel et al. D14/215
6,406,098 B1 * 6/2002 Linder 297/452.41
D464,682 S * 10/2002 Lin D21/499
D469,417 S * 1/2003 Hsu D14/142
D476,976 S * 7/2003 Tanabe D14/225
D480,437 S * 10/2003 Stoneberg D21/499
D504,269 S * 4/2005 Faircloth D6/601
D509,858 S * 9/2005 May et al. D21/499
D529,018 S * 9/2006 Rozier D14/168
D531,167 S * 10/2006 Harries D14/215
D544,371 S * 6/2007 Bhavnani D10/2
D544,463 S * 6/2007 Harris D14/168
D546,813 S * 7/2007 Lewis D14/168
D580,995 S * 11/2008 Chun D21/499
D581,713 S * 12/2008 Berke D6/601
D583,180 S * 12/2008 Haile D6/601

(Continued)

Primary Examiner — Susan Bennett Hattan

Assistant Examiner — Marie Fast Horse

(74) *Attorney, Agent, or Firm* — Thompson Hine LLP

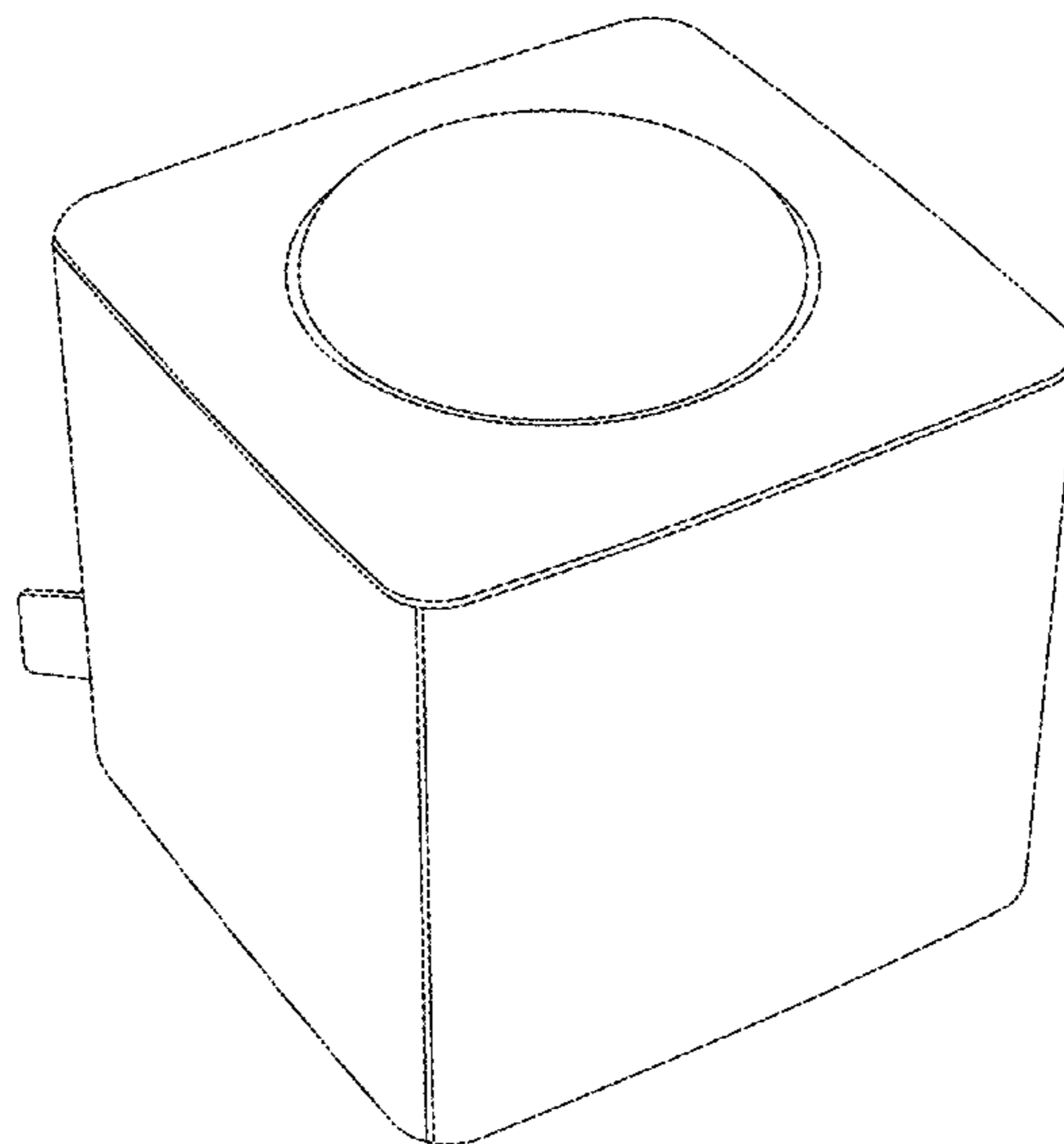
(57) **CLAIM**

The ornamental design for a microphone box with dome shaped cap, as shown and described.

DESCRIPTION

FIG. 1 is a side, perspective view of a microphone box with dome shaped cap, shown with dome shaped cap in place; FIG. 2 is a side view of the microphone box of FIG. 1; FIG. 3 is a bottom, perspective view thereof; FIG. 4 is a top view thereof; FIG. 5 is a side, perspective view of the microphone box of FIG. 1 with the dome shaped cap removed; and, FIG. 6 is a side view of the microphone box of FIG. 5.

1 Claim, 6 Drawing Sheets



(56)

References Cited

U.S. PATENT DOCUMENTS

D586,335 S *	2/2009	Wise et al.	D14/225	D647,878 S *	11/2011	Woo et al.	D14/215
D588,583 S *	3/2009	McDougal	D14/225	D680,097 S *	4/2013	Davies et al.	D14/215
D605,976 S *	12/2009	Beier	D11/184	D681,548 S *	5/2013	Zhang et al.	D13/102
D610,212 S *	2/2010	Pedersen	D21/499	D684,215 S *	6/2013	Markowitz	D21/333
D616,045 S *	5/2010	Tervo	D21/499	D685,080 S *	6/2013	Ferguson et al.	D24/101
D629,164 S *	12/2010	Lamstein et al.	D30/118	D690,280 S *	9/2013	Schul	D14/188
D629,241 S *	12/2010	Romero	D6/601	D691,115 S *	10/2013	Silvera	D14/215
D630,685 S *	1/2011	Bodin et al.	D21/499	D698,869 S *	2/2014	Strzelewicz et al.	D21/499
				2008/0156815 A1 *	7/2008	Coff	220/592.2
				2010/0254564 A1 *	10/2010	Guenther	381/386
				2011/0240402 A1 *	10/2011	Chou et al.	181/207

* cited by examiner

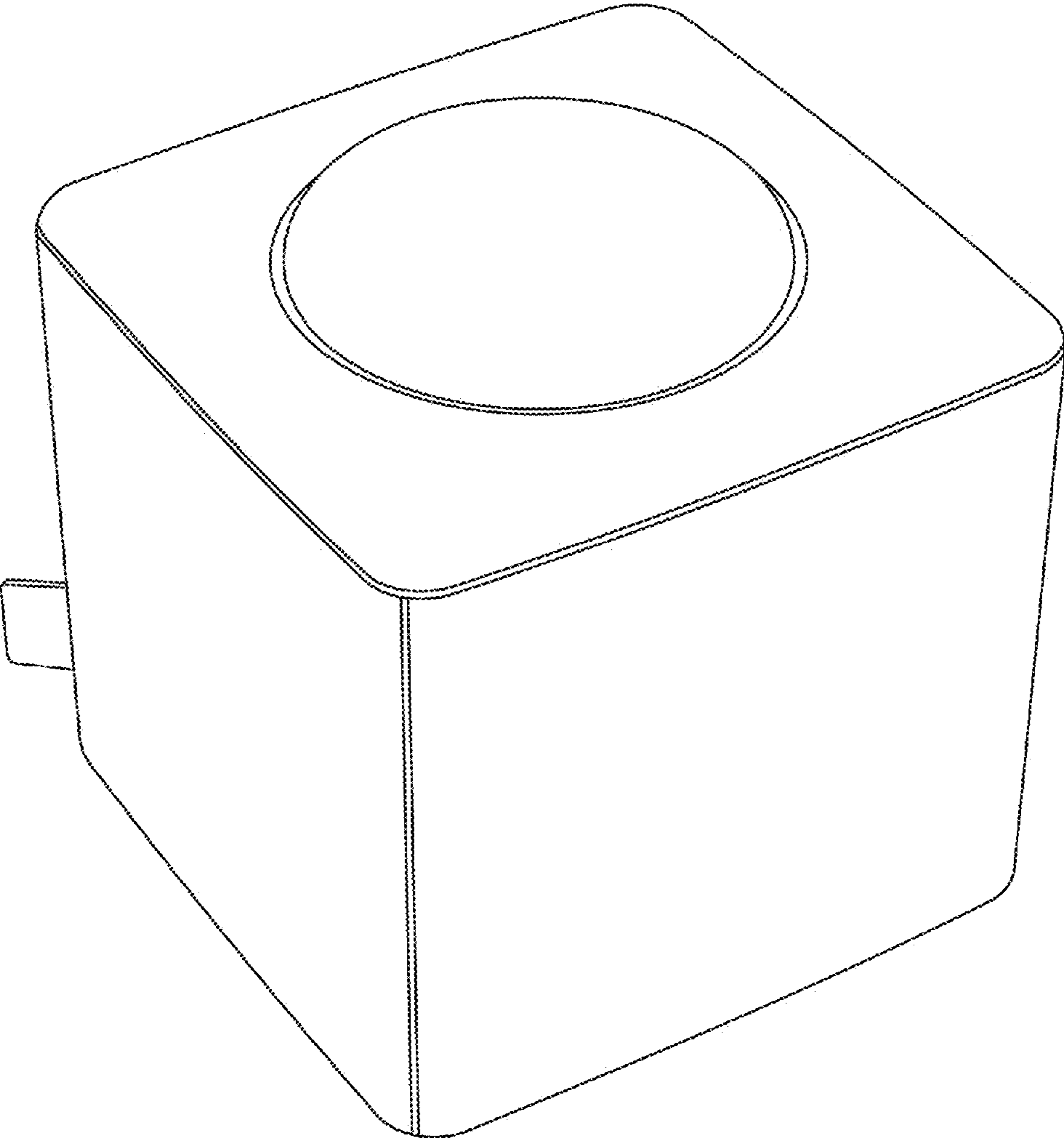


Figure 1

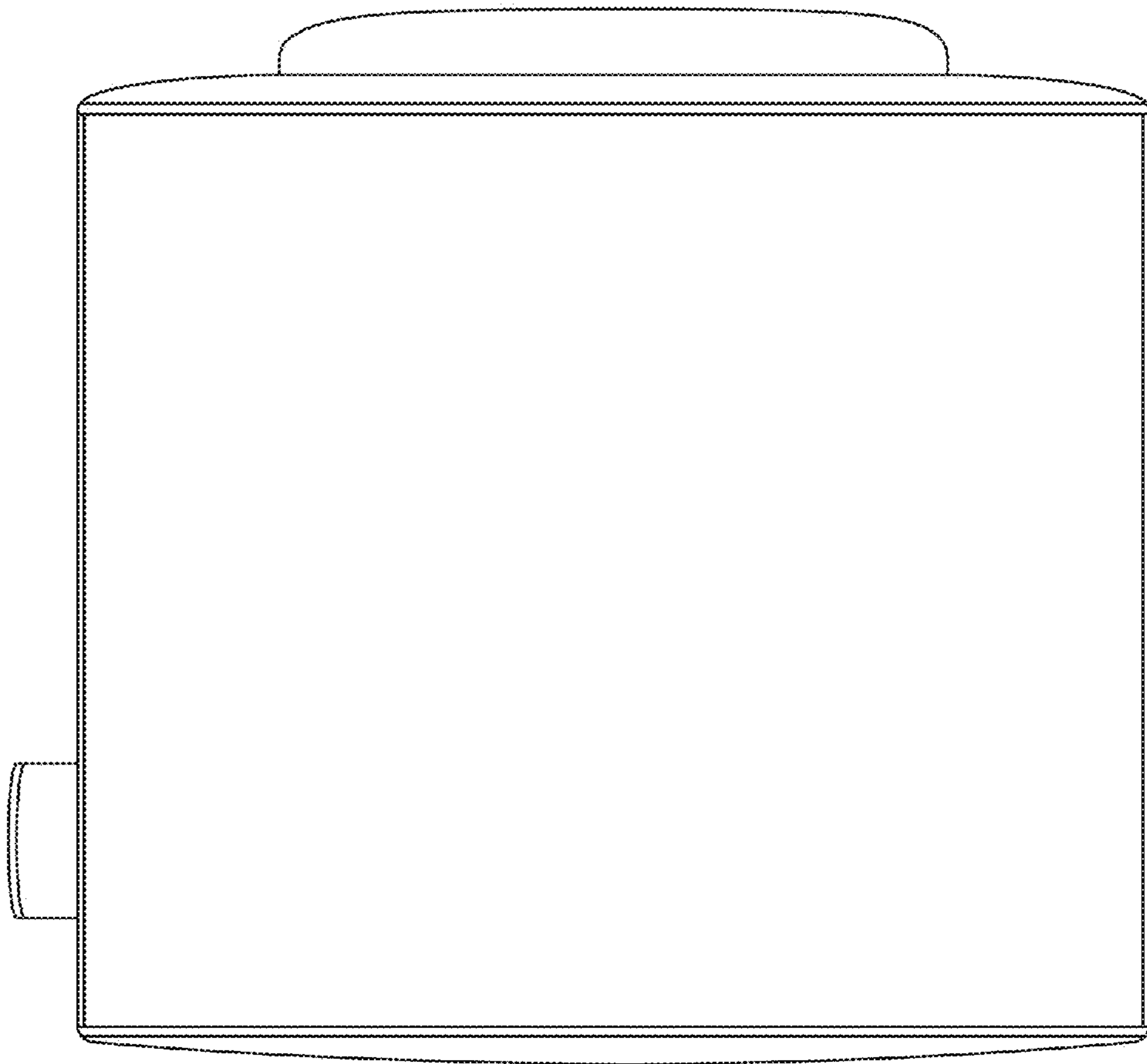


Figure 2

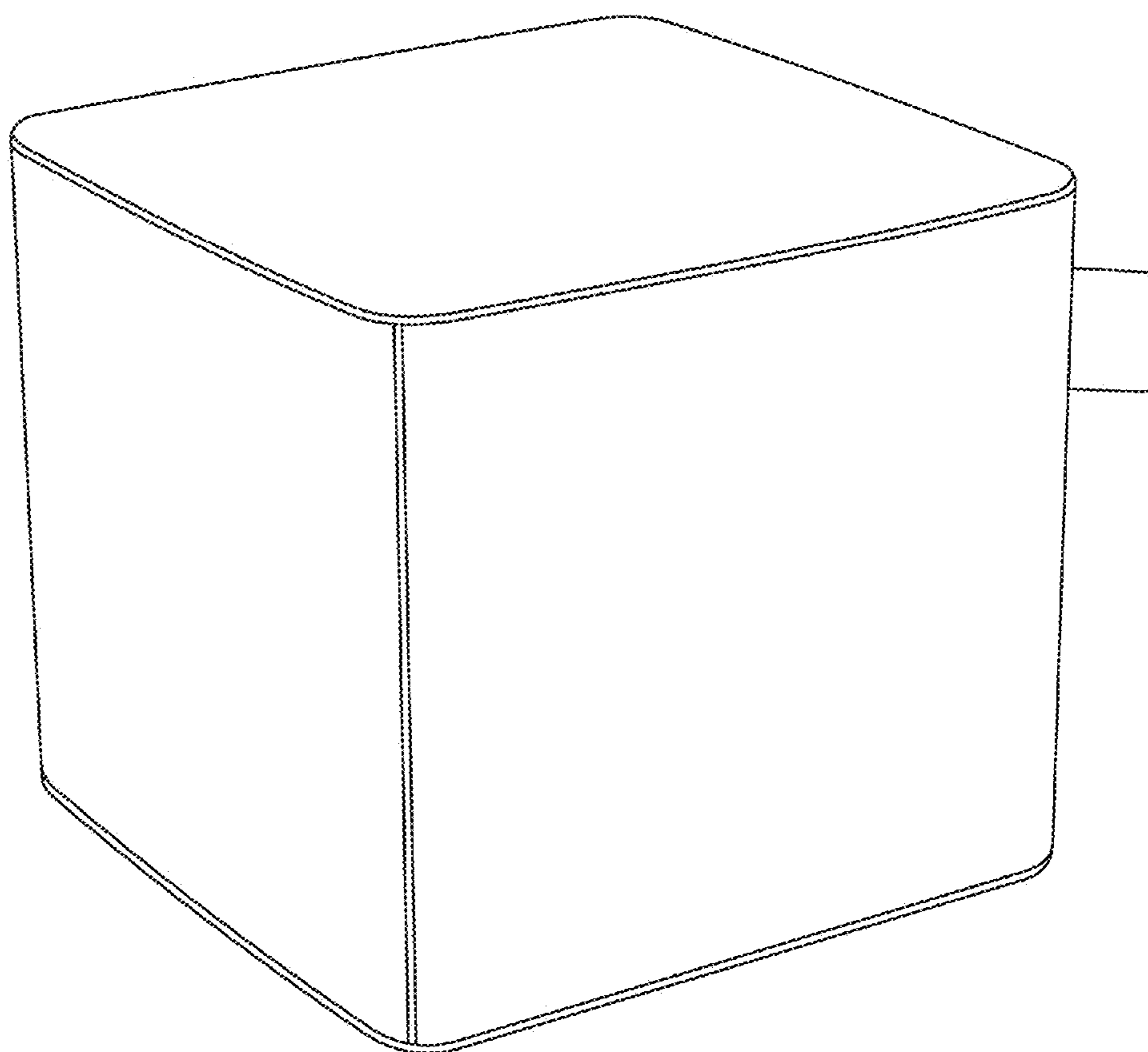


Figure 3

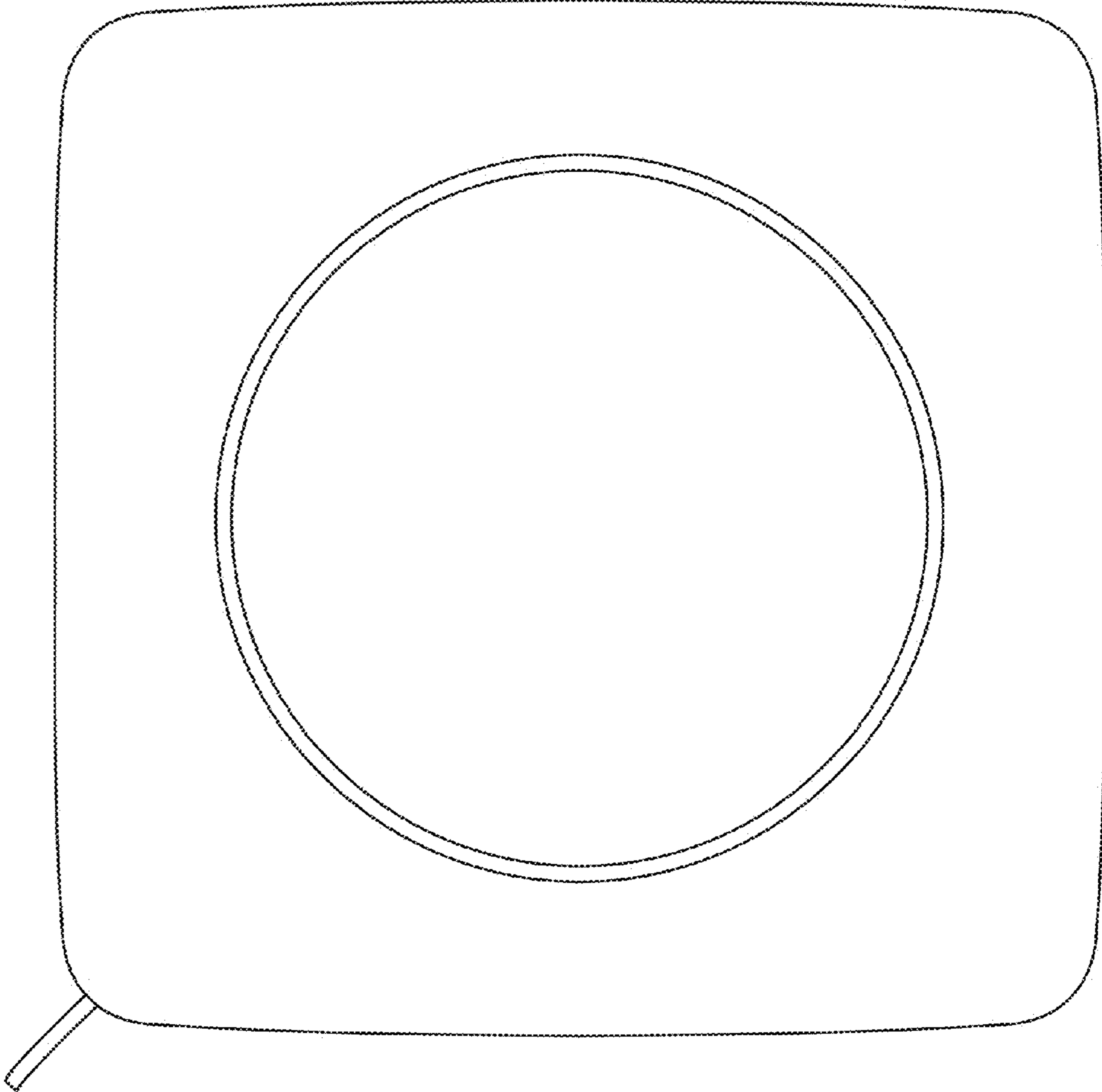


Figure 4

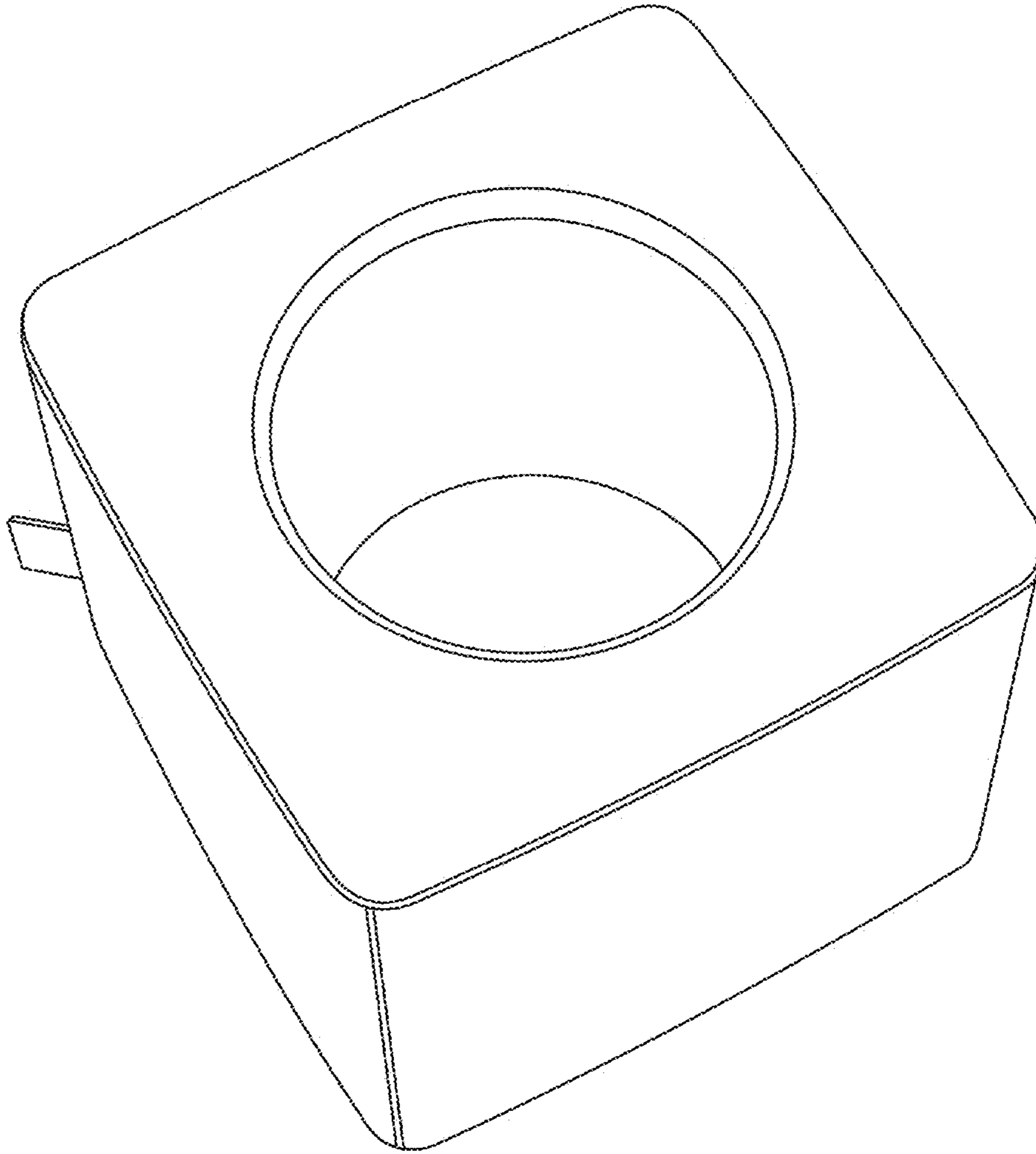


Figure 5

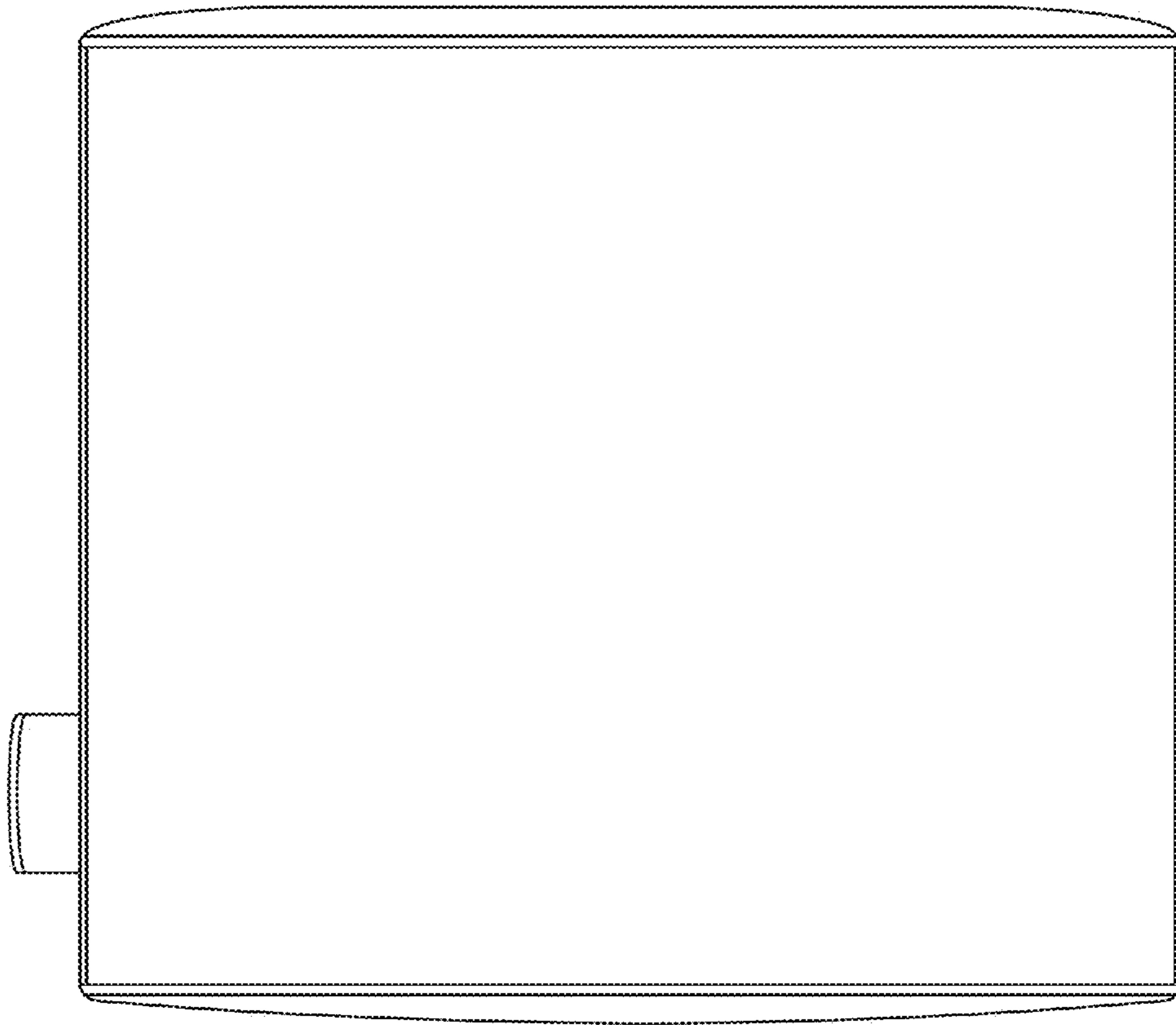


Figure 6