



US00D736185S

(12) **United States Design Patent**
Yaegashi et al.

(10) **Patent No.:** **US D736,185 S**

(45) **Date of Patent:** **** Aug. 11, 2015**

(54) **EARPHONE**

(71) Applicant: **Sony Corporation**, Tokyo (JP)

(72) Inventors: **Taku Yaegashi**, Tokyo (JP); **Junko Katsuraku**, Tokyo (JP)

(73) Assignee: **Sony Corporation**, Tokyo (JP)

(**) Term: **14 Years**

(21) Appl. No.: **29/485,033**

(22) Filed: **Mar. 14, 2014**

(30) **Foreign Application Priority Data**

Dec. 27, 2013 (CN) 2013 3 0651143
Dec. 27, 2013 (CN) 2013 3 0652086
Dec. 27, 2013 (JP) D2013-030795
Dec. 27, 2013 (JP) D2013-030796

(51) **LOC (10) Cl.** **14-01**

(52) **U.S. Cl.**
USPC **D14/223**

(58) **Field of Classification Search**
USPC D14/223, 205; D24/174; 181/129, 130,
181/135; 379/430, 431; 381/380, 381;
455/90.3, 575.1
CPC H04R 1/10
See application file for complete search history.

(56) **References Cited**

U.S. PATENT DOCUMENTS

4,668,842 A * 5/1987 Yokoyama et al. 381/380
D461,793 S * 8/2002 Brumitt et al. D14/223
D474,171 S * 5/2003 Suzuki D14/206
6,868,164 B2 * 3/2005 Ito et al. 381/370
D539,268 S 3/2007 Suzuki
D589,498 S 3/2009 Komiyama
D590,375 S 4/2009 Komiyama
D598,431 S 8/2009 Densho
D618,669 S * 6/2010 Johnson et al. D14/223
D637,180 S * 5/2011 Shimizu et al. D14/223
D641,011 S * 7/2011 Gondo D14/223

D643,416 S * 8/2011 Chong et al. D14/223
8,103,040 B2 * 1/2012 Pelland et al. 381/381
D660,290 S * 5/2012 Weedon D14/223
D662,086 S 6/2012 Komiyama
8,213,668 B2 * 7/2012 Tsao et al. 381/380
D666,581 S * 9/2012 Perez D14/223

(Continued)

FOREIGN PATENT DOCUMENTS

JP D1357715 S 4/2009
JP D1365428 S 7/2009
JP D1454807 S 11/2012

Primary Examiner — Paula Greene

(74) *Attorney, Agent, or Firm* — Fishman Stewart Yamaguchi PLLC

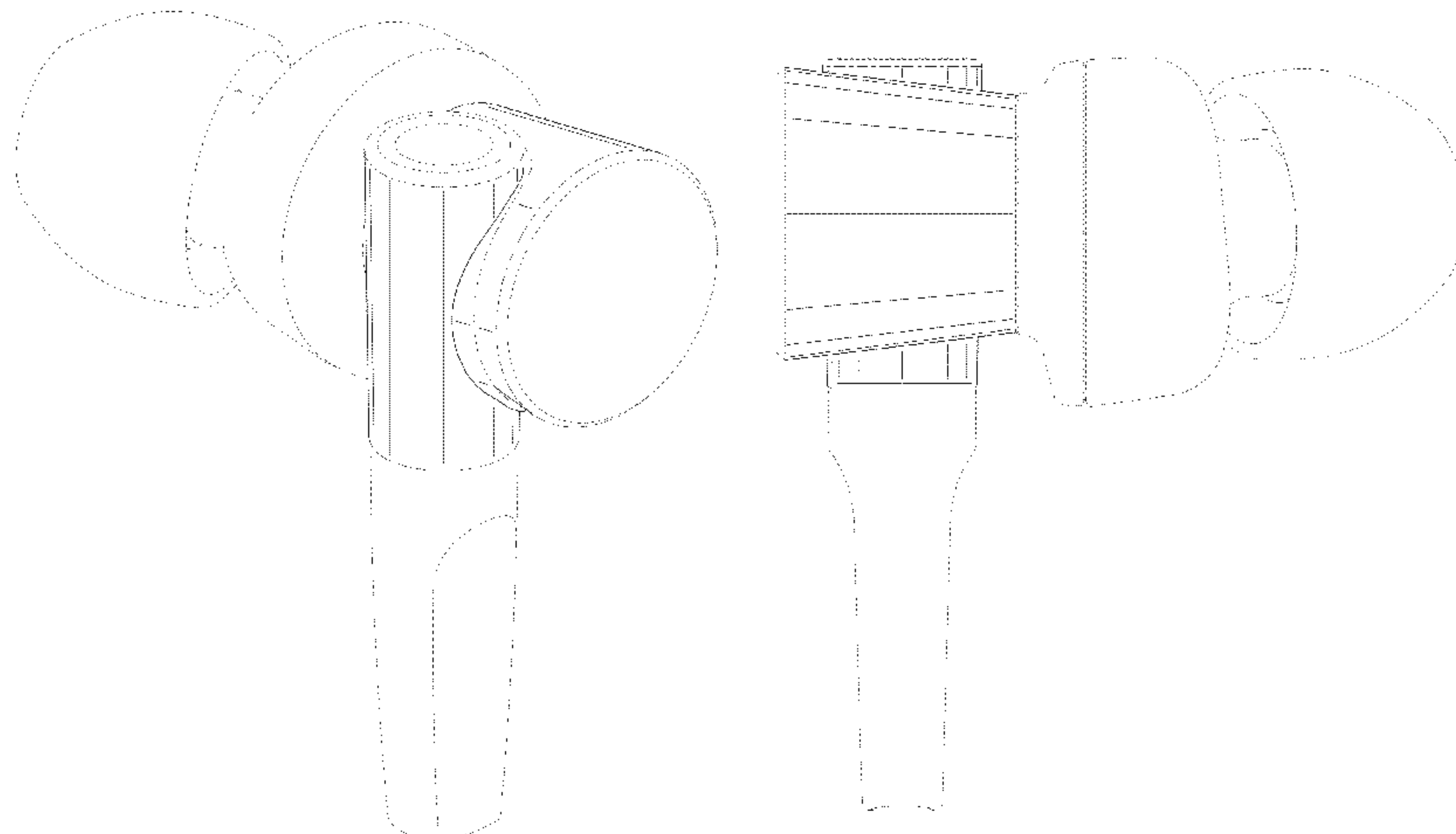
(57) **CLAIM**

The ornamental design for an earphone, as shown and described.

DESCRIPTION

FIG. 1 is a perspective view of a first embodiment of an earphone showing our new design;
FIG. 2 is a front elevational view thereof;
FIG. 3 is a rear elevational view thereof;
FIG. 4 is a left side elevational view thereof;
FIG. 5 is a right side elevational view thereof;
FIG. 6 is a top plan view thereof;
FIG. 7 is a bottom plan view thereof;
FIG. 8 is a perspective view of a second embodiment of an earphone showing our new design;
FIG. 9 is a front elevational view thereof;
FIG. 10 is a rear elevational view thereof;
FIG. 11 is a left side elevational view thereof;
FIG. 12 is a right side elevational view thereof;
FIG. 13 is a top plan view thereof; and,
FIG. 14 is a bottom plan view thereof.
Portions shown as broken lines are for illustrative purposes only and form no part of the claimed design. Dot-dash broken lines define the boundaries of, but not included in, the claimed design.

1 Claim, 10 Drawing Sheets



US D736,185 S

Page 2

(56)

References Cited

U.S. PATENT DOCUMENTS

D671,530 S * 11/2012 Yang D14/223
D676,426 S 2/2013 Komiyama

D679,682 S * 4/2013 Shimizu et al. D14/223
D685,343 S 7/2013 Fletcher et al.
D698,762 S * 2/2014 Zheng et al. D14/223

* cited by examiner

FIG.1

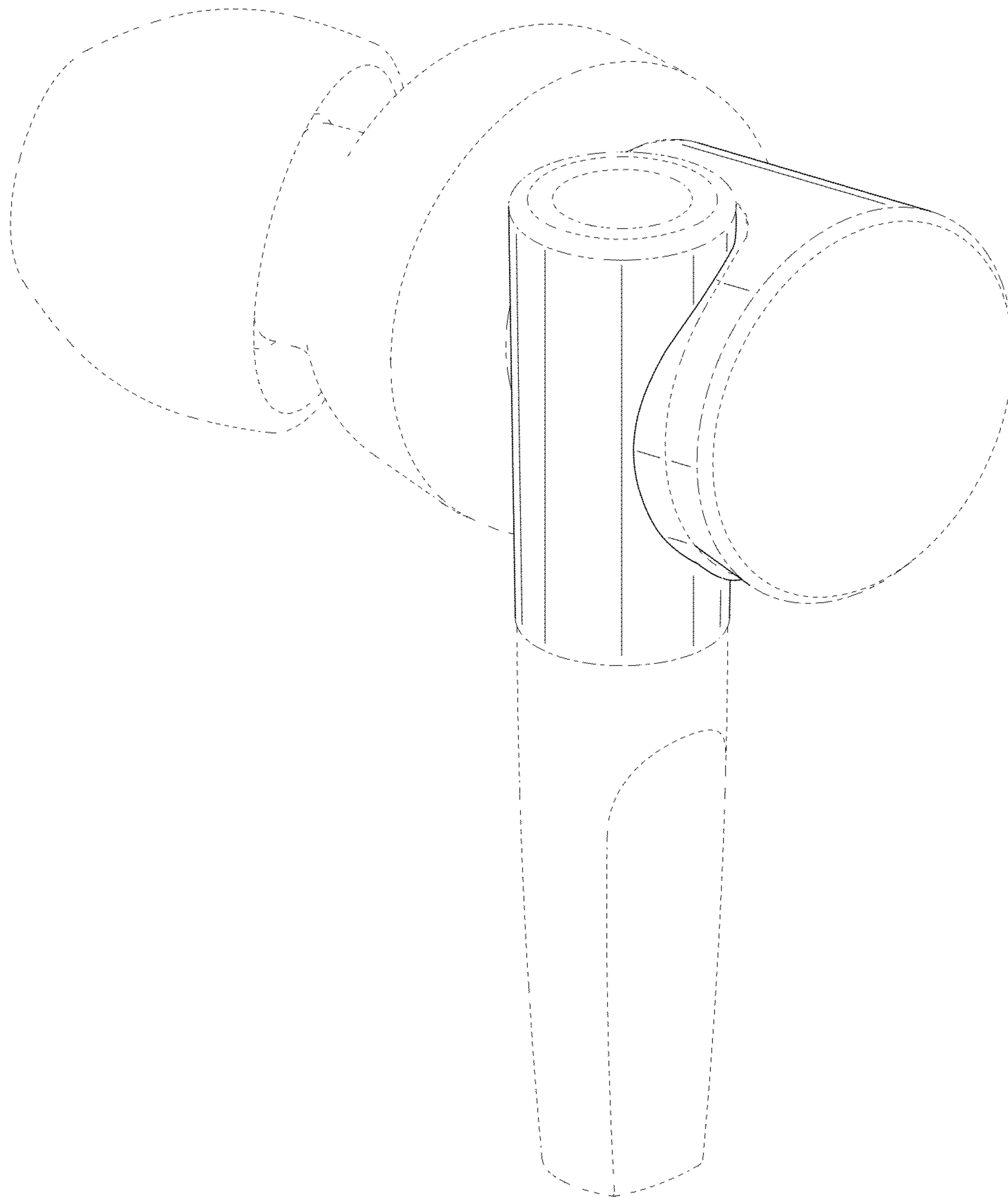


FIG.2

FIG.3

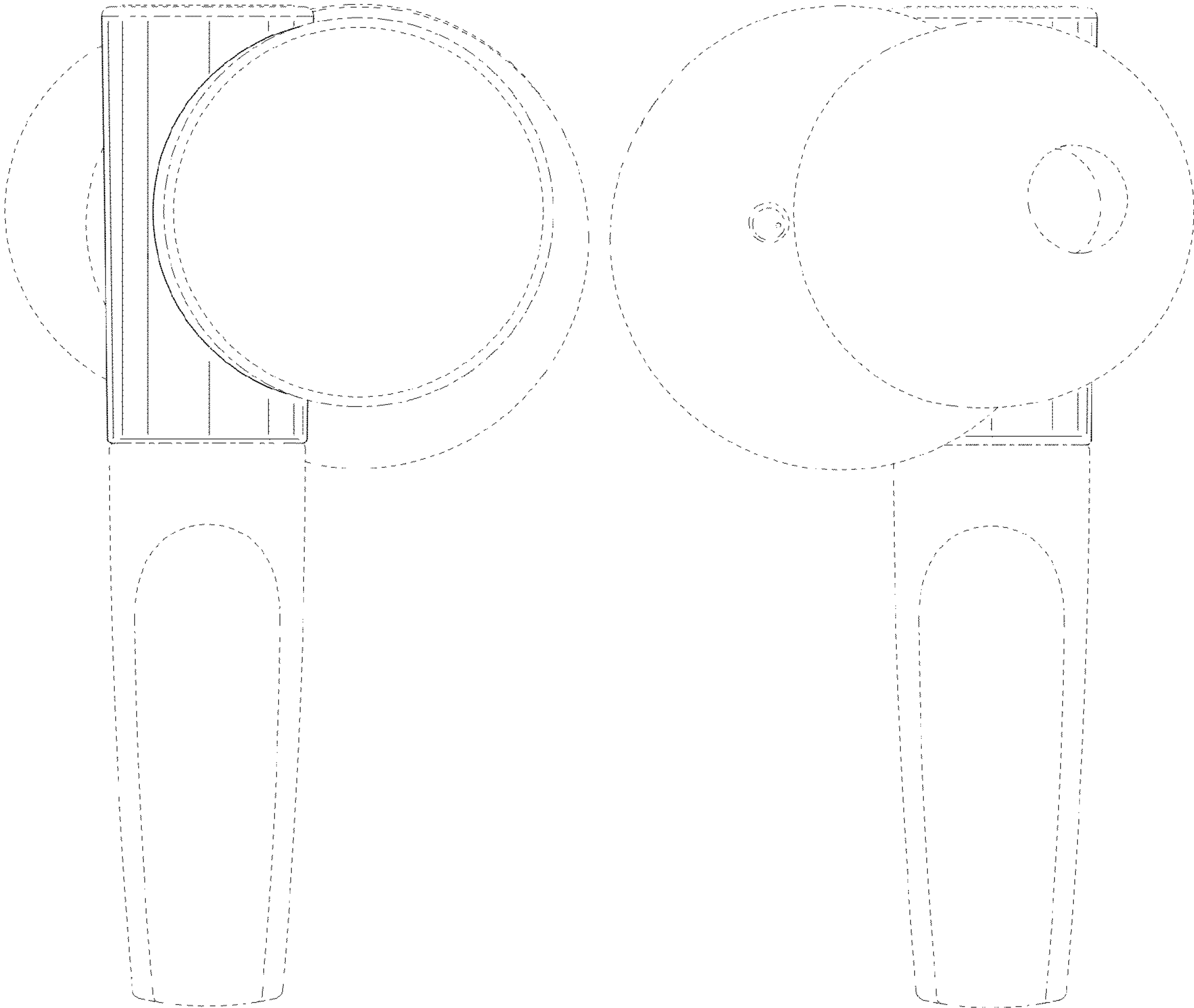


FIG.4

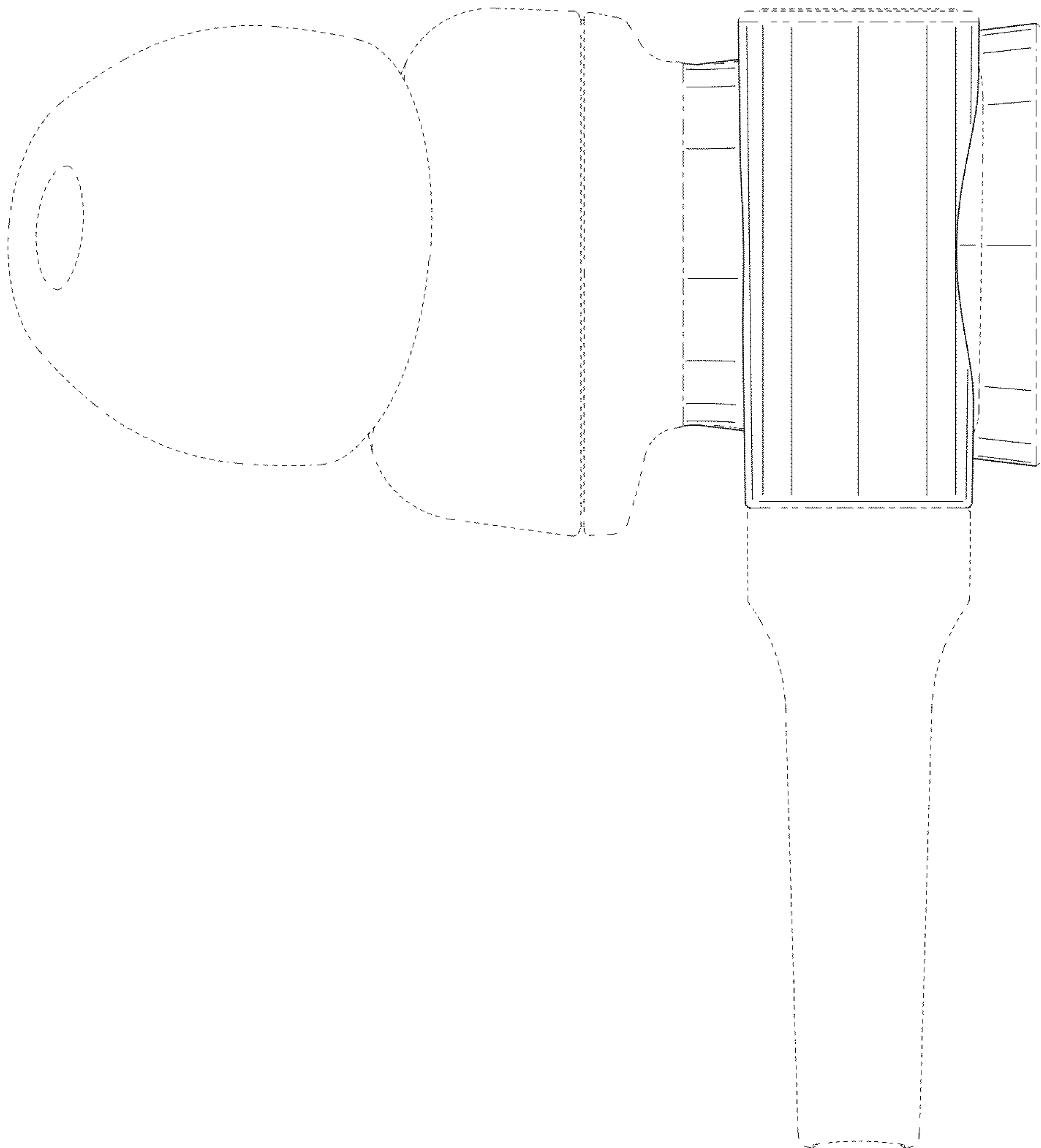


FIG.5

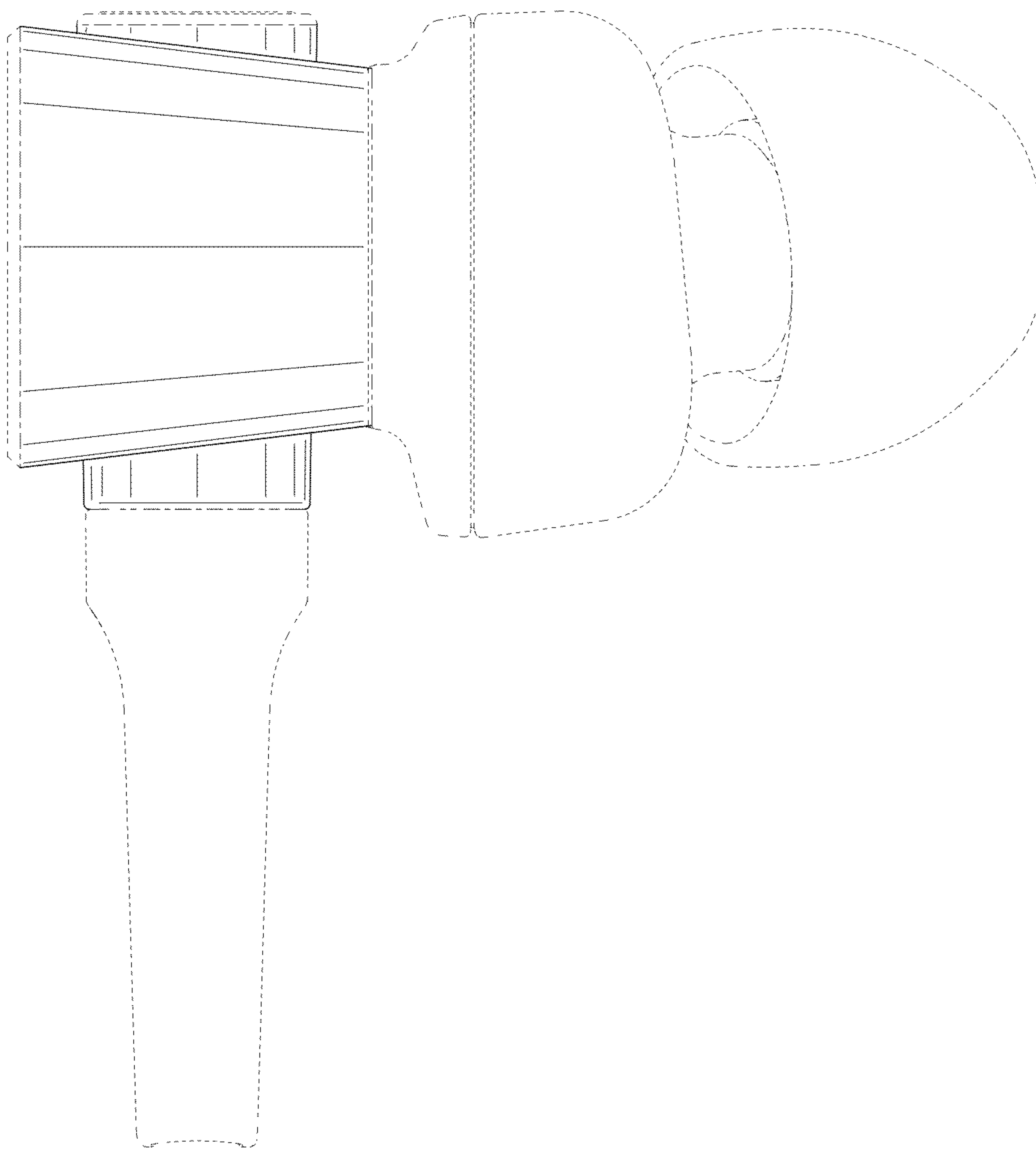


FIG.6

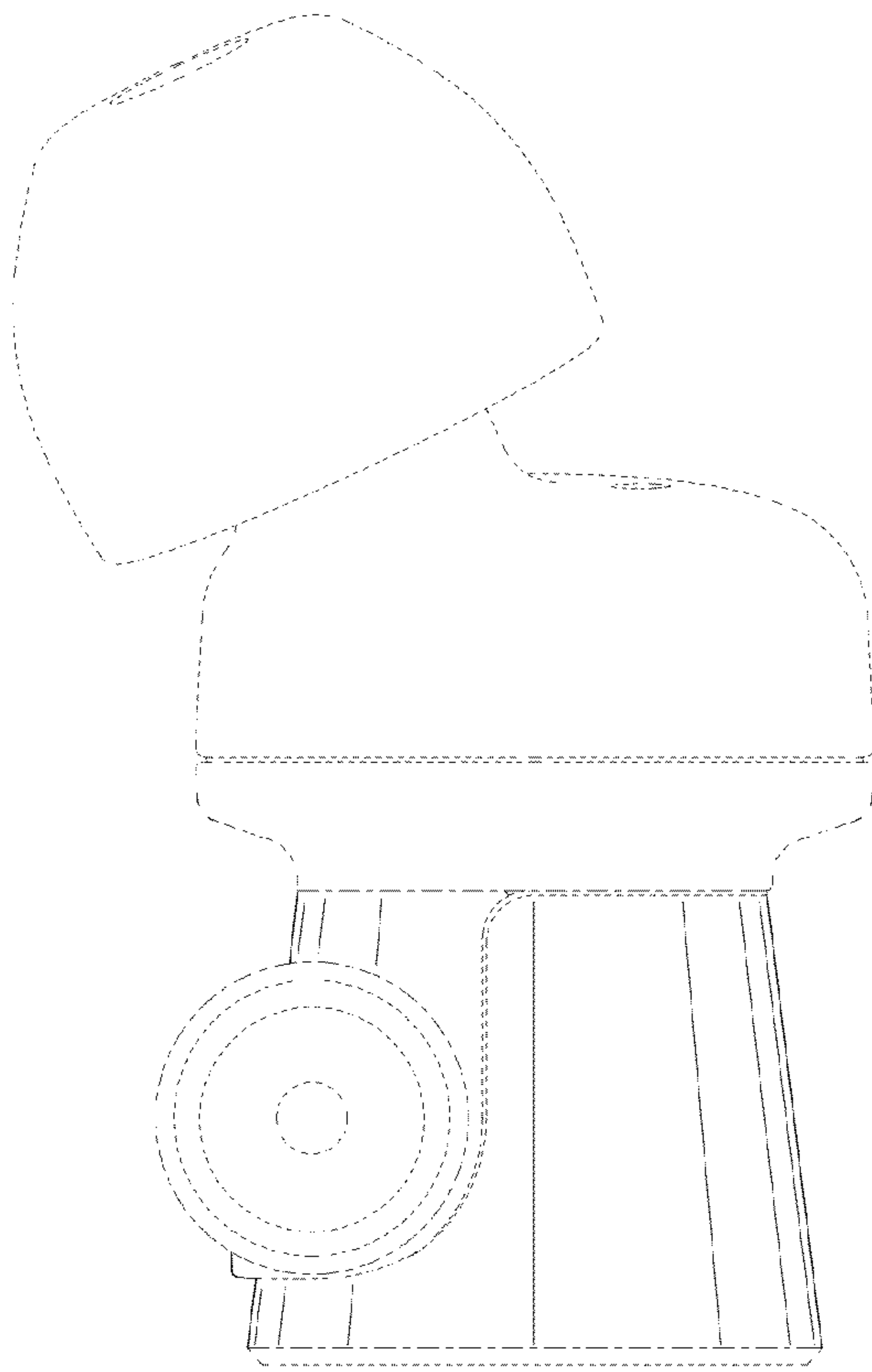


FIG.7

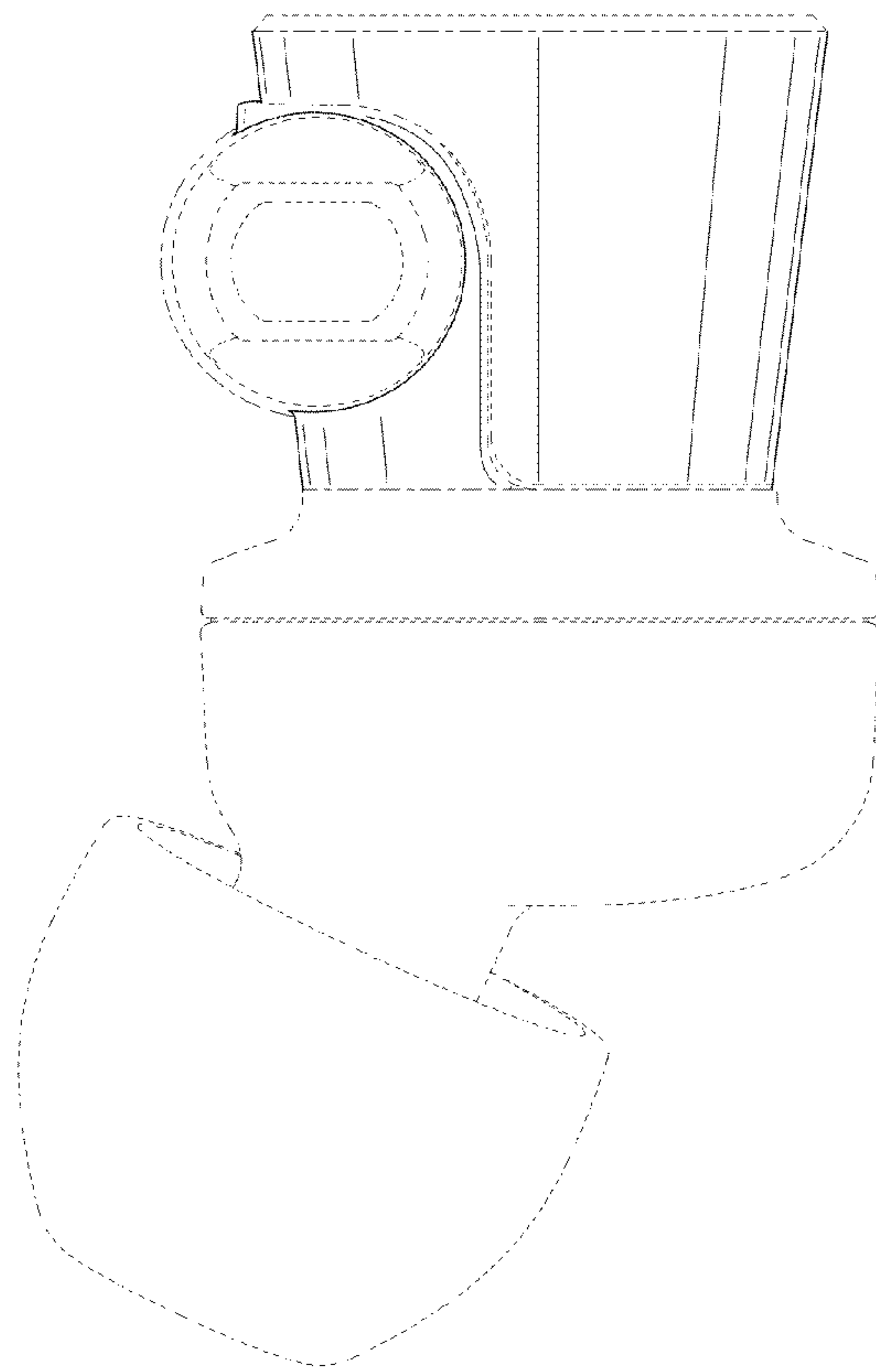


FIG.8

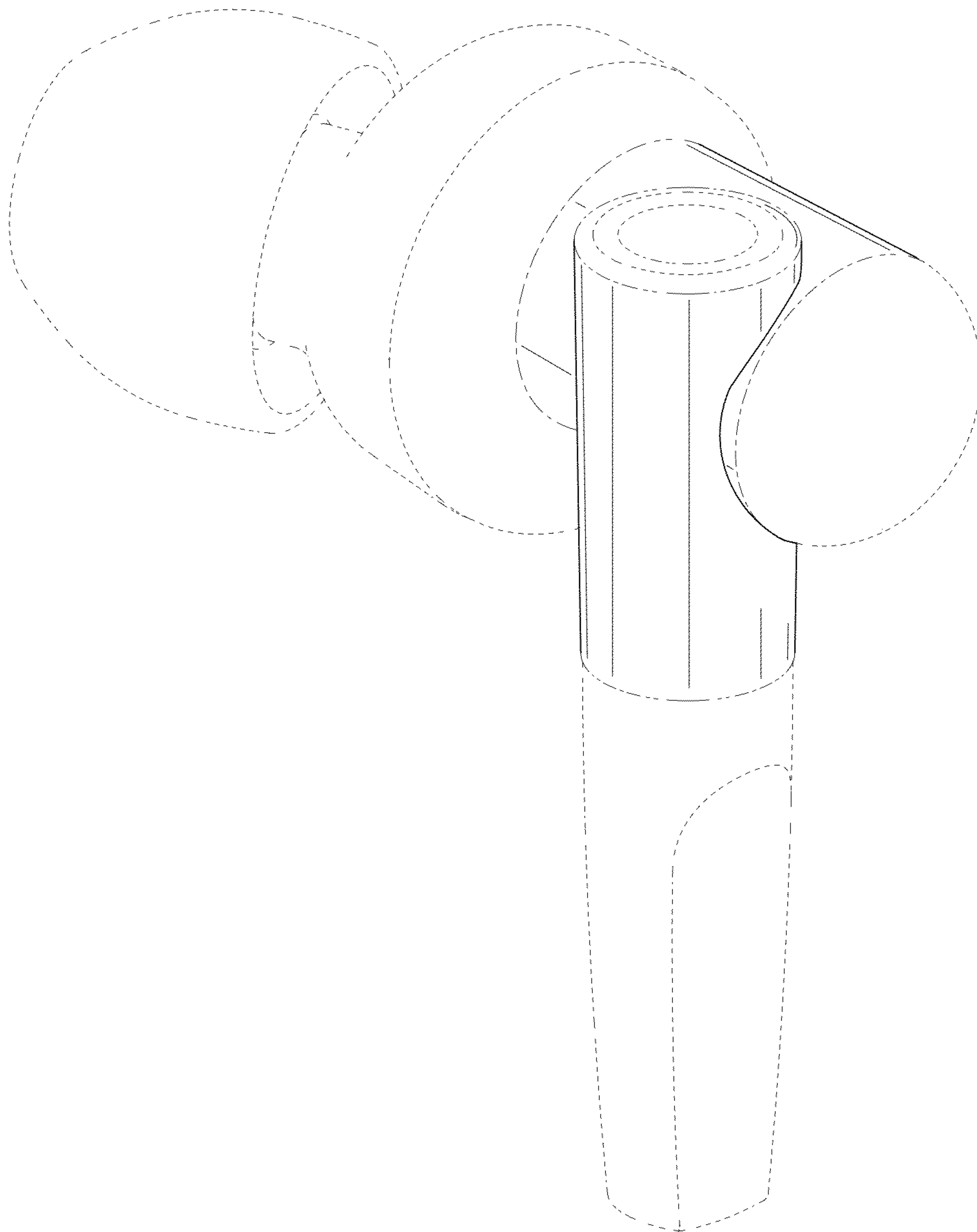


FIG.9

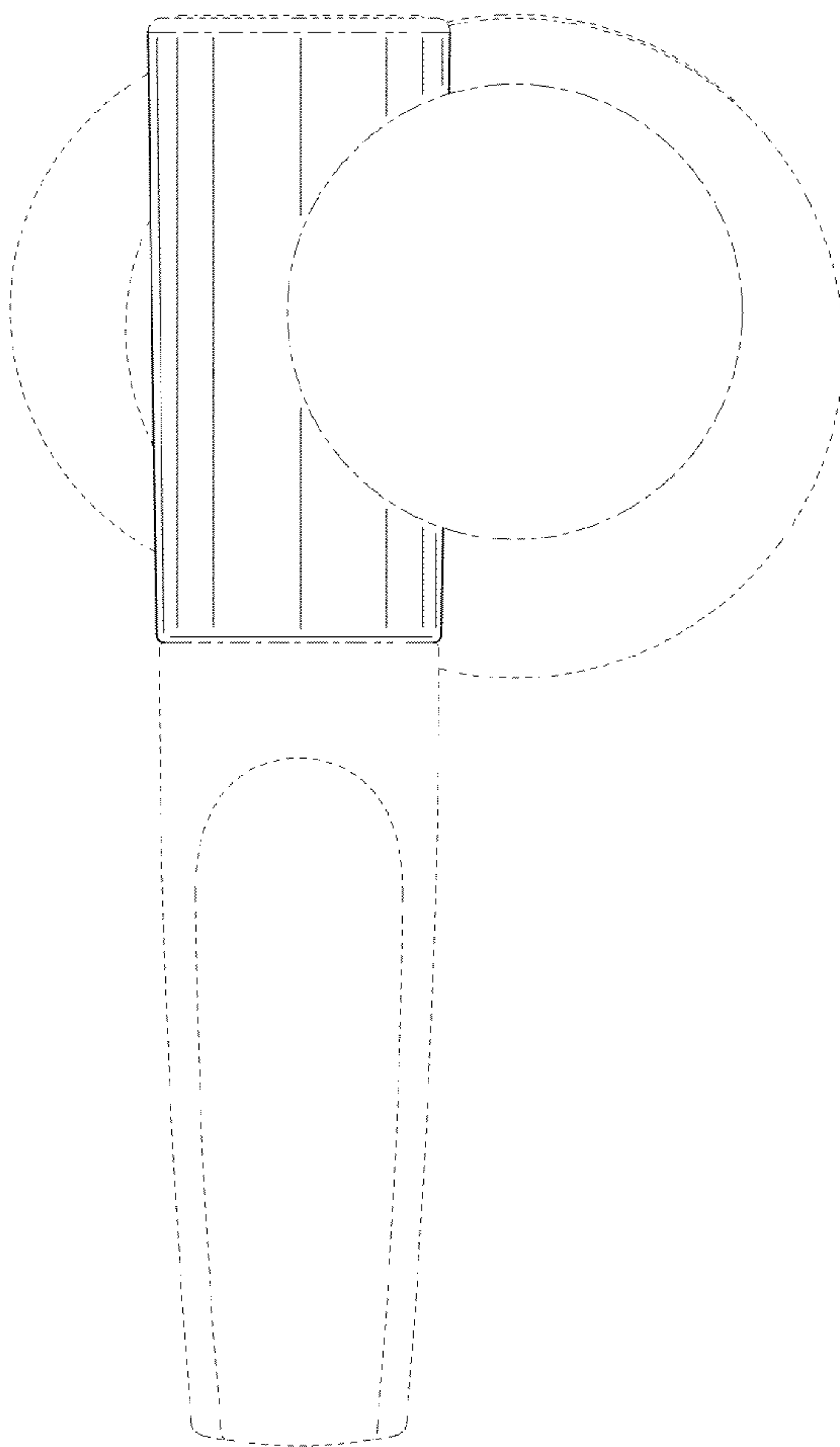


FIG.10

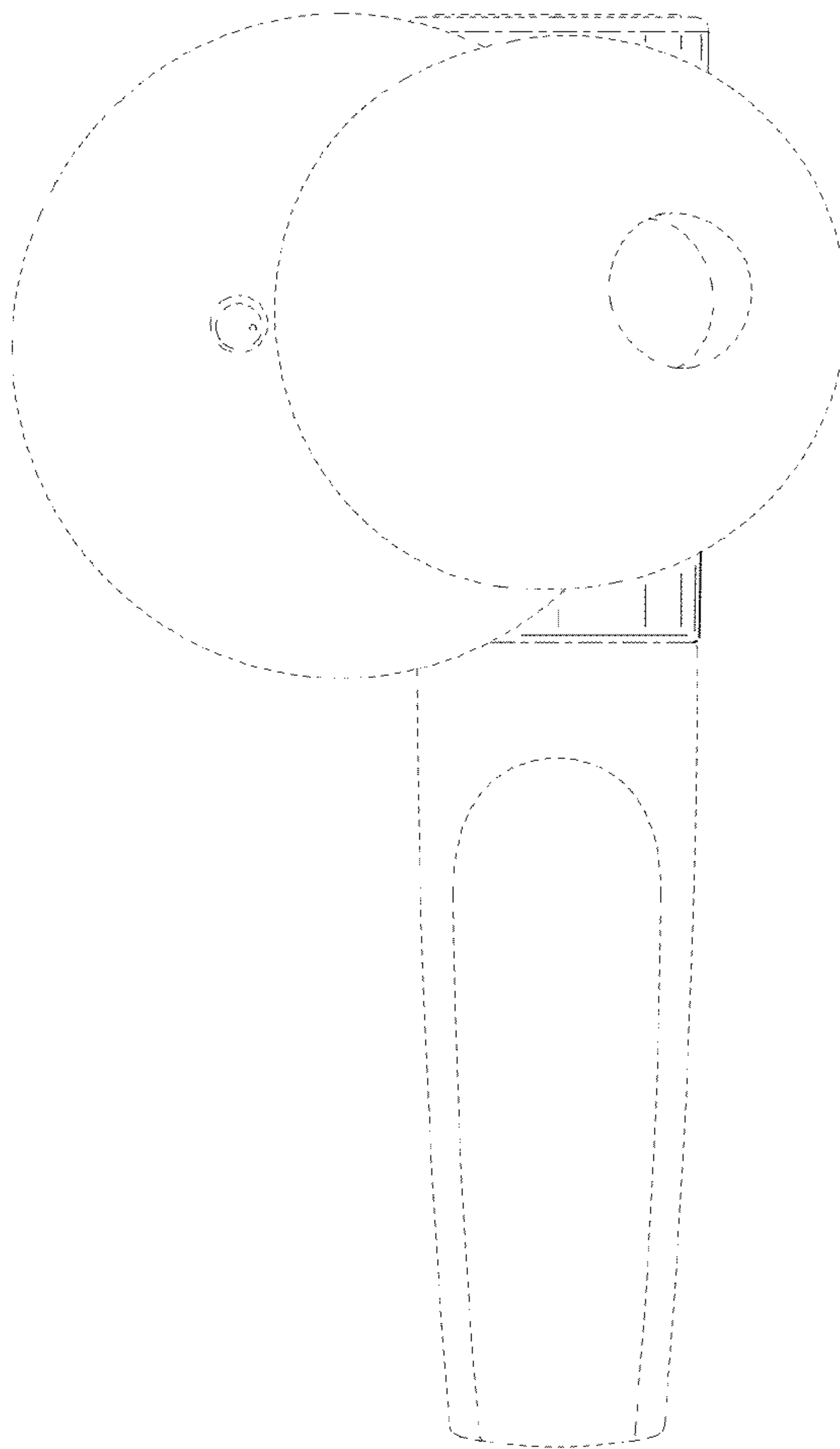


FIG. 11

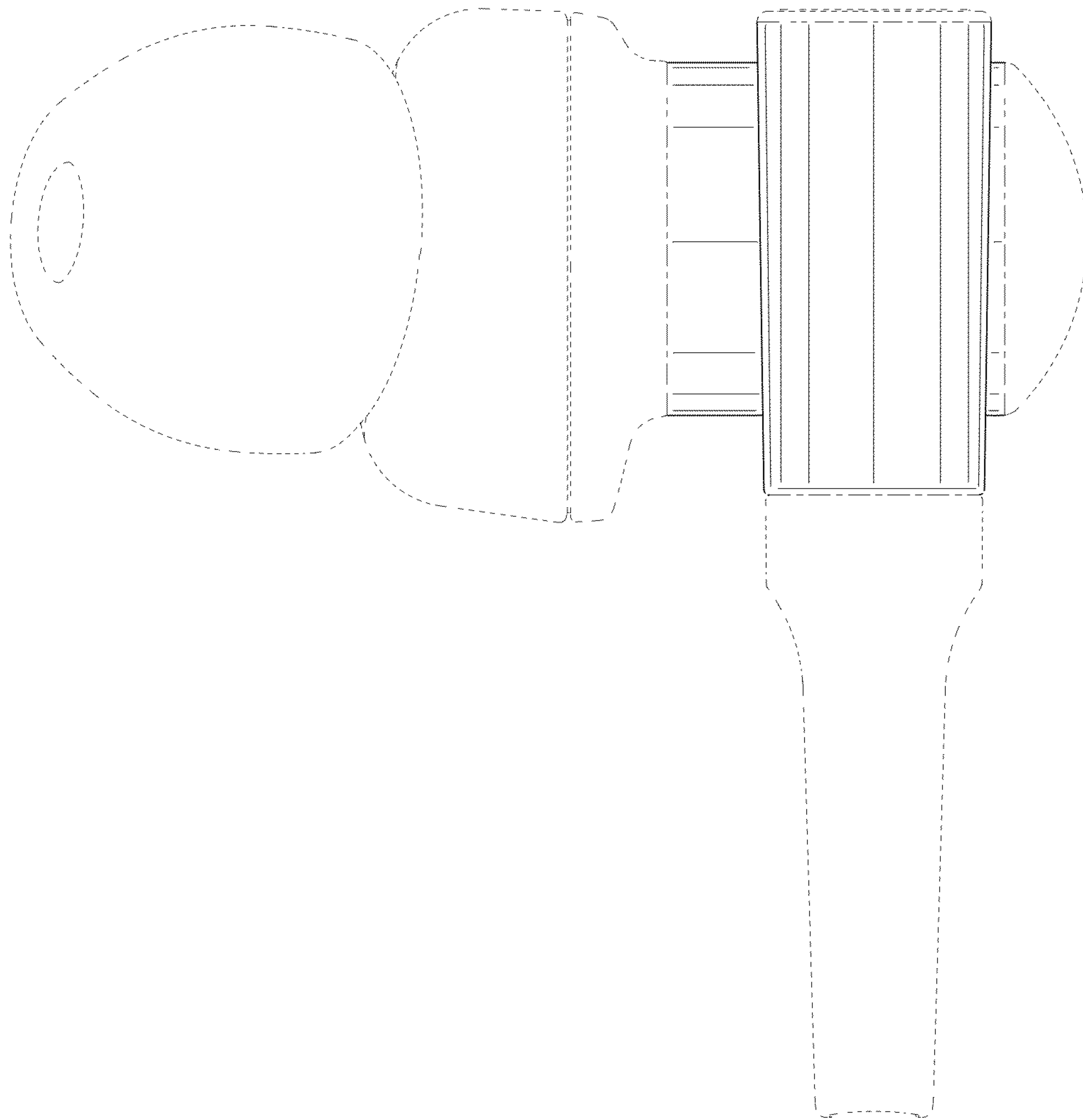


FIG.12

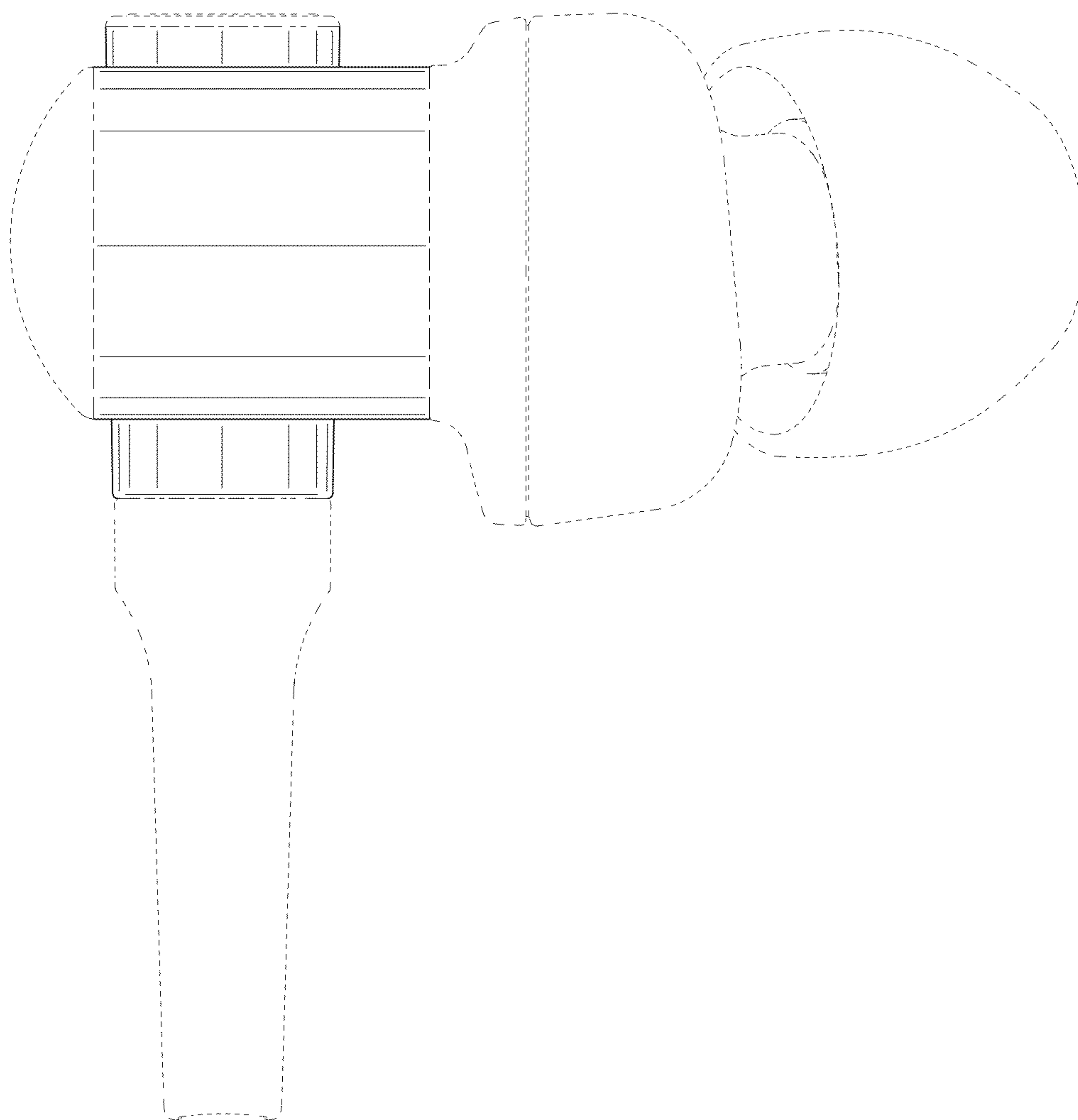


FIG.13

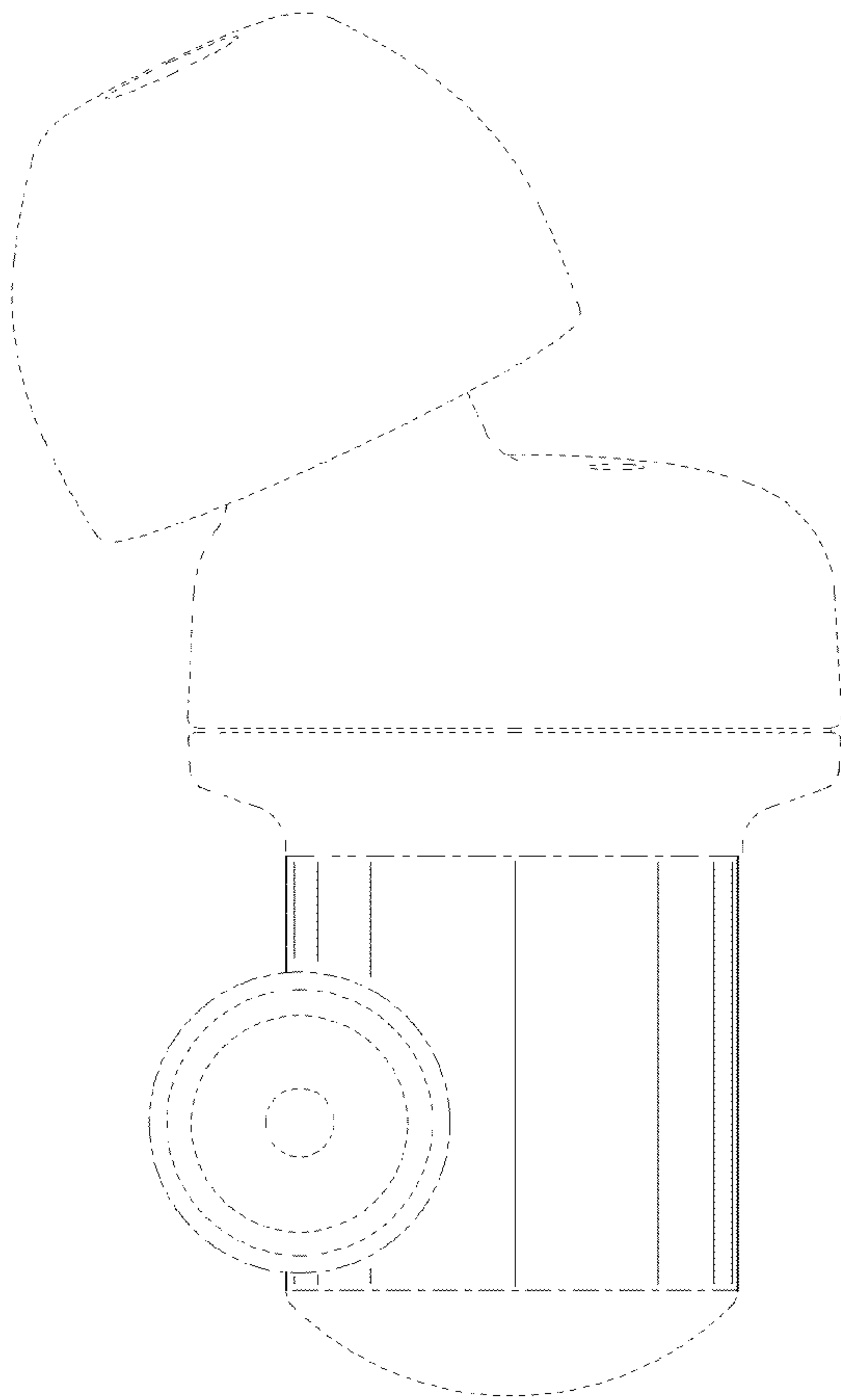


FIG.14

