



US00D736184S

(12) **United States Design Patent**
Olivar

(10) **Patent No.:** **US D736,184 S**

(45) **Date of Patent:** **** Aug. 11, 2015**

(54) **REMOTE CONTROLLER FOR ELECTRONIC APPLIANCES HAVING WHEEL-LIKE BUTTONS**

(71) Applicant: **Dante Ramel Olivar**, Antipolo (PH)

(72) Inventor: **Dante Ramel Olivar**, Antipolo (PH)

(**) Term: **14 Years**

(21) Appl. No.: **29/463,432**

(22) Filed: **Nov. 20, 2013**

(30) **Foreign Application Priority Data**

Jun. 25, 2013 (PH) 3-2013-000760

(51) **LOC (10) Cl.** **14-03**

(52) **U.S. Cl.**
USPC **D14/218**

(58) **Field of Classification Search**
USPC D13/168; D14/408, 402, 407; D12/177,
D12/585, 521, 583; 301/59, 6.5; D24/156;
D34/5; 446/92; D9/452, 453; 24/710.4;
79/5; D3/264
See application file for complete search history.

(56) **References Cited**

U.S. PATENT DOCUMENTS

1,483,223	A *	2/1924	Gaunt	79/5
D285,744	S *	9/1986	Vinot	D3/264
4,817,251	A *	4/1989	Shirley-Smith et al.	24/710.4
D443,513	S *	6/2001	Goettner	D9/452
D463,281	S *	9/2002	Druitt	D9/452
D479,529	S *	9/2003	Sheehan et al.	D14/408
D498,590	S *	11/2004	Borovsky	D3/264
D500,677	S *	1/2005	Druitt	D9/452
D510,523	S *	10/2005	Pitman et al.	D9/452
D512,565	S *	12/2005	Sasso	D3/264
D519,508	S *	4/2006	Canavan et al.	D14/402
D523,013	S *	6/2006	Twohig et al.	D14/408
D528,118	S *	9/2006	Canavan et al.	D14/407
D531,587	S *	11/2006	Poulet	D13/168
D542,656	S *	5/2007	Szczesniak	D9/453
7,234,986	B2 *	6/2007	Kowalski et al.	446/92

D551,448	S *	9/2007	Stull	D3/264
D606,401	S *	12/2009	Kamath et al.	D9/453
D613,162	S *	4/2010	Druitt	D9/453
D634,248	S *	3/2011	Chen	D12/177
D638,707	S *	5/2011	Stoffers et al.	D9/453
D673,852	S *	1/2013	Wood et al.	D9/453
D693,683	S *	11/2013	Ramsey et al.	D9/453

(Continued)

FOREIGN PATENT DOCUMENTS

JP	D1290496	*	12/2006
JP	D1457577	*	12/2012
KR	300665842.0001	*	4/2013

OTHER PUBLICATIONS

Logitech releases M560 mouse for Windows 8, Announced Oct. 15, 2013, [Site Visited Oct. 20, 2014]http://geeknewscentral.com/tag/logitech/.*

(Continued)

Primary Examiner — John Windmuller
Assistant Examiner — Luqman McNeil

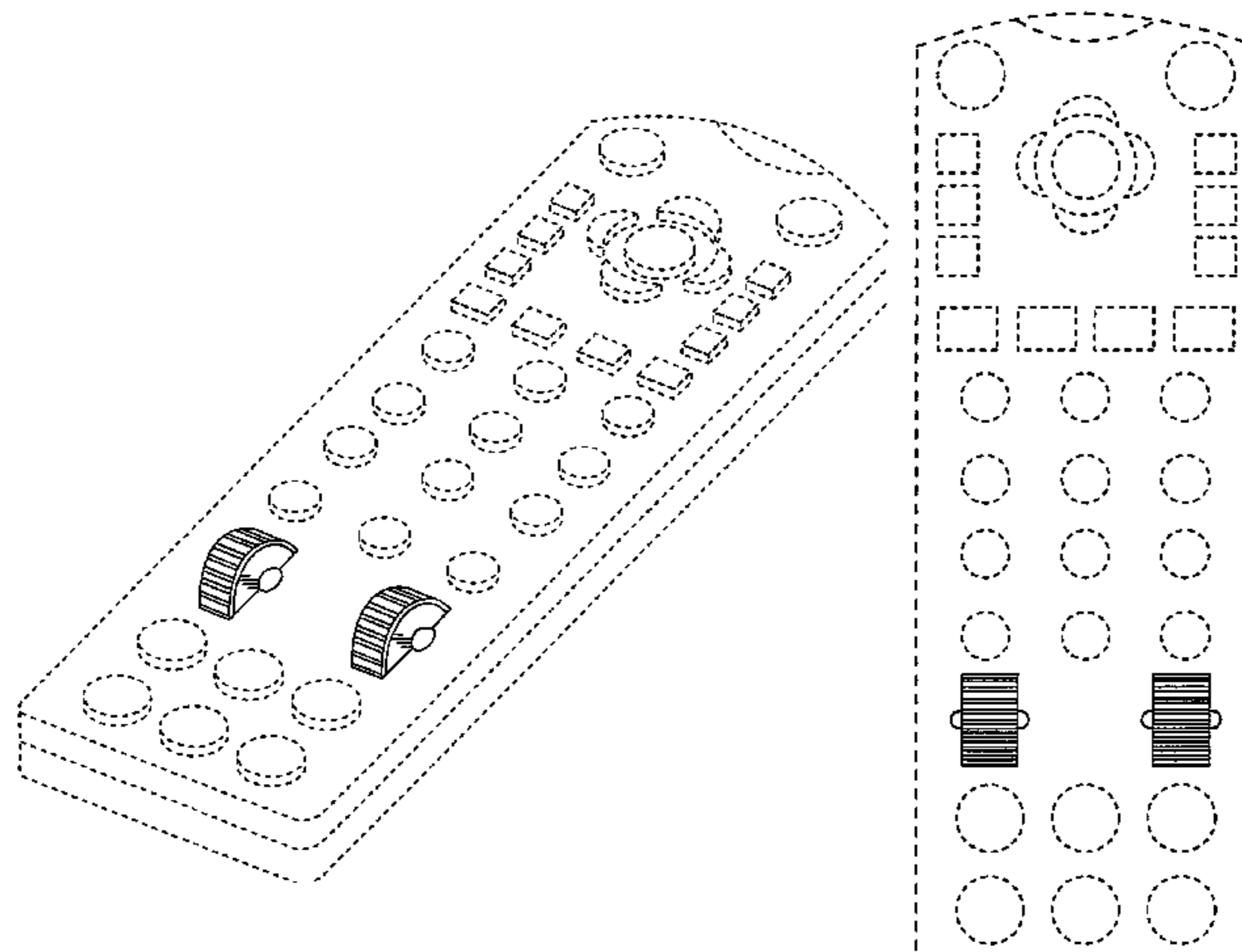
(57) **CLAIM**

The ornamental design for a remote controller for electronic appliances having wheel-like buttons, substantially as shown and described.

DESCRIPTION

FIG. 1 is a left perspective view of the present design for a remote controller for electronic appliances having wheel-like buttons;
FIG. 2 is a front view;
FIG. 3 is a back view;
FIG. 4 is a left side view;
FIG. 5 is a right side view;
FIG. 6 is a bottom view; and,
FIG. 7 is a top view thereof.
The broken line showing is included for the purpose of illustrating portions of the article and forms no part of the claimed design.

1 Claim, 7 Drawing Sheets



(56)

References Cited

U.S. PATENT DOCUMENTS

D713,778 S * 9/2014 Muthigi et al. D12/521
D713,779 S * 9/2014 Inoue D12/521
D713,782 S * 9/2014 Krier et al. D12/583
D714,051 S * 9/2014 Priebe et al. D3/264
D714,146 S * 9/2014 King D9/453
D714,147 S * 9/2014 Lindstrom, Sr. D9/453
D714,212 S * 9/2014 Wang D12/585
D715,439 S * 10/2014 Huang D24/156
D715,511 S * 10/2014 Okwumabua D34/5
2013/0207448 A1* 8/2013 Koshiyama et al. 301/59

2013/0292918 A1* 11/2013 Schlee et al. 280/79.11
2014/0135160 A1* 5/2014 Kaiser et al. 474/152
2014/0152075 A1* 6/2014 Kanatani 301/6.5

OTHER PUBLICATIONS

LG 47LA7400 Review 47 Inch 1080P Cinema 3D 240HZ LED TV, Announced Apr. 8, 2013, [Site Visited Oct. 20, 2013]<http://reviews.lcdtvbuyingguide.com/lg-lcd-tv/lg-47la7400.html>.
Somfy 1810975 Telis 1 Modulis RTS Wireless Remote With Scroll Wheel—Silver, Announced Apr. 18, 2010, [Site Visited Oct. 20, 2014] <http://www.smarthome.com/somfy-1810975-telis-1-modulis-rtis-wireless-remote-with-scroll-wheel-silver.html>.

* cited by examiner

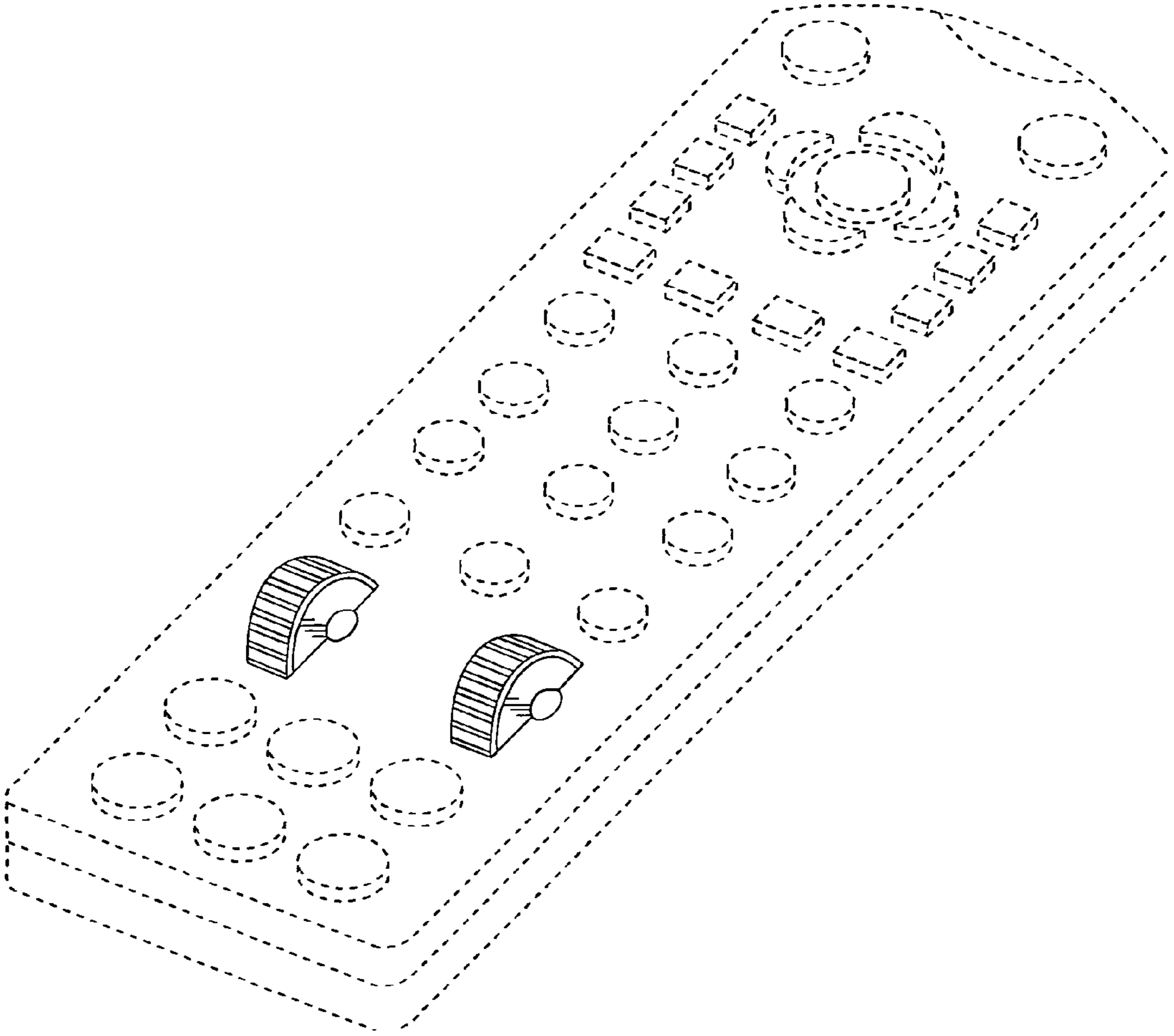


FIGURE 1

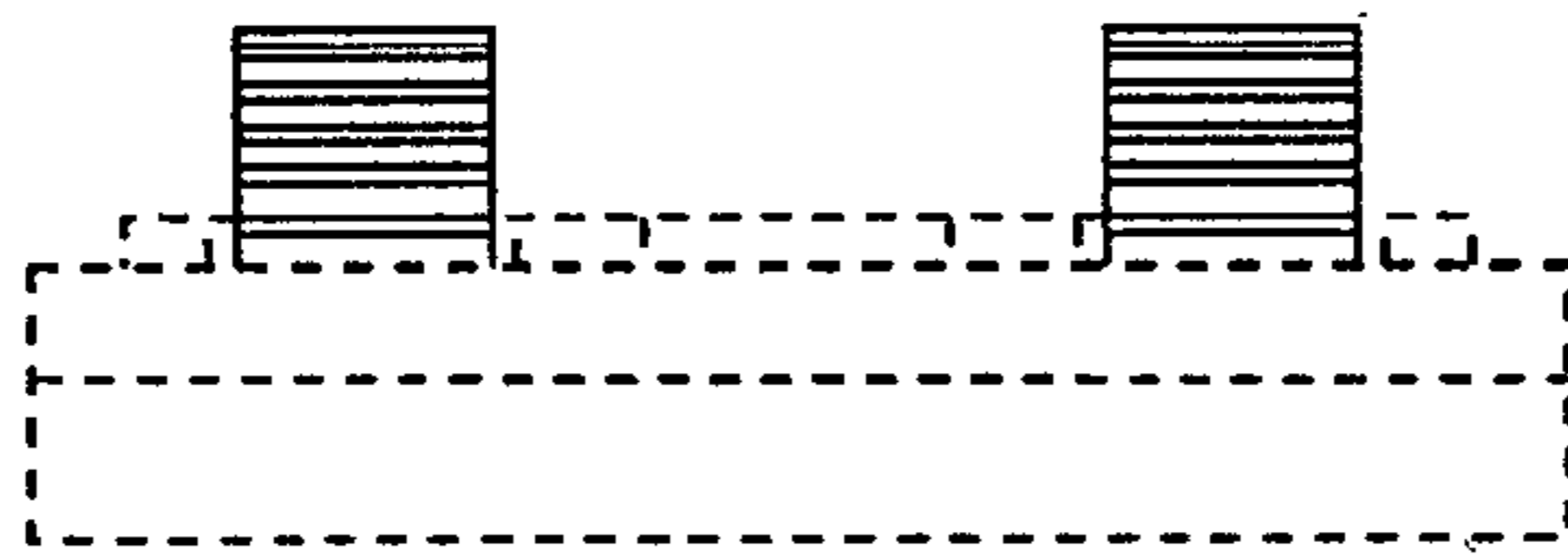


FIGURE 2

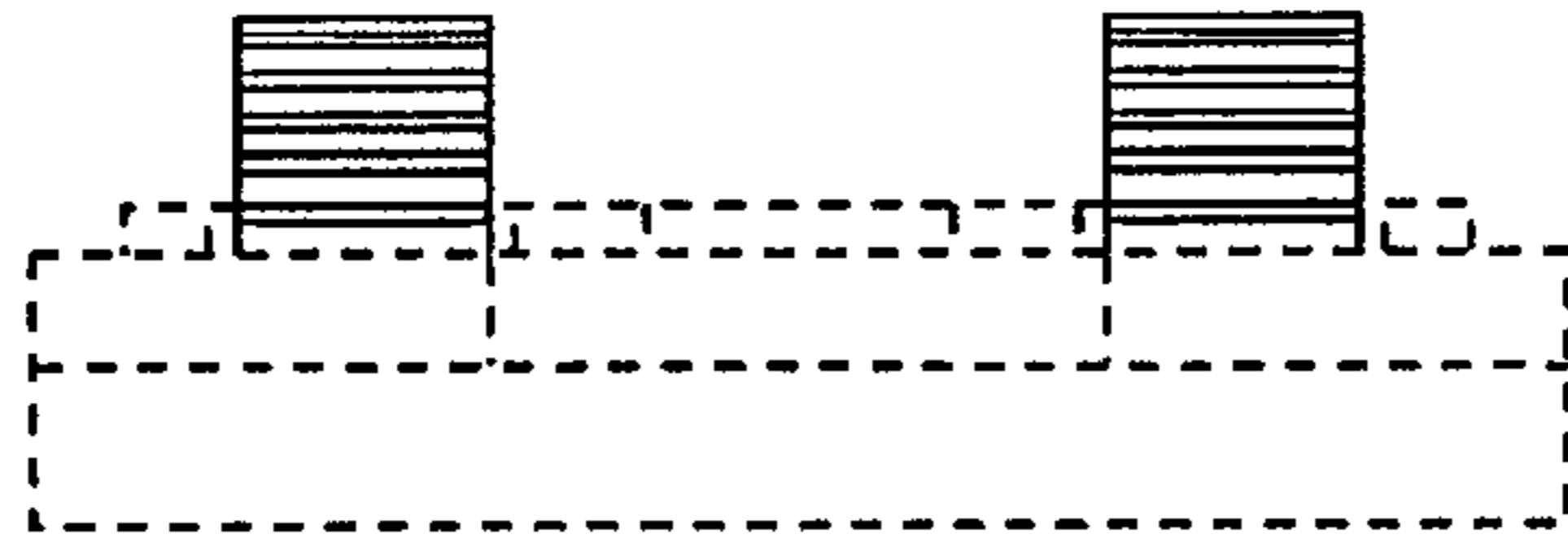


FIGURE 3

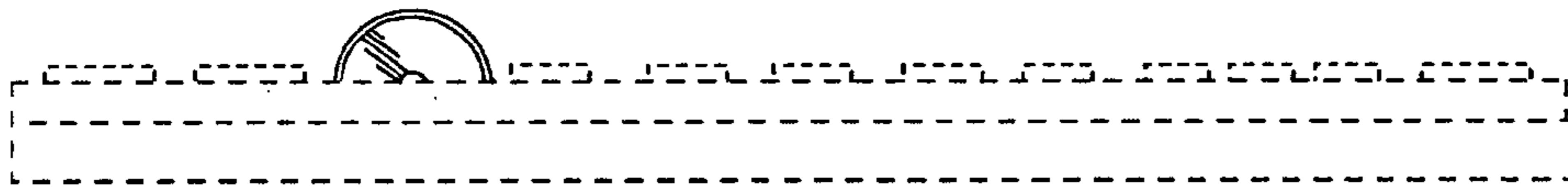


FIGURE 4

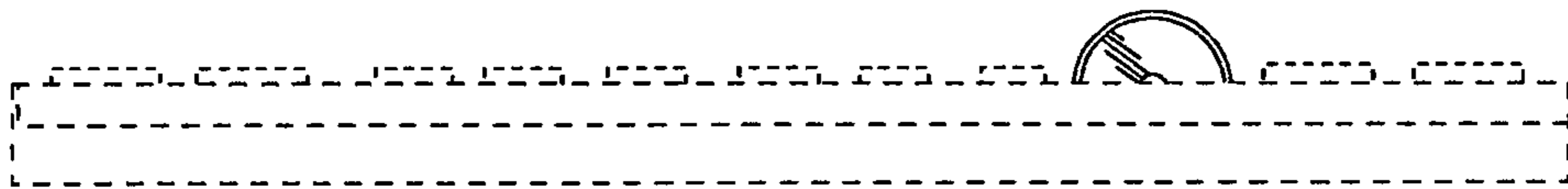


FIGURE 5

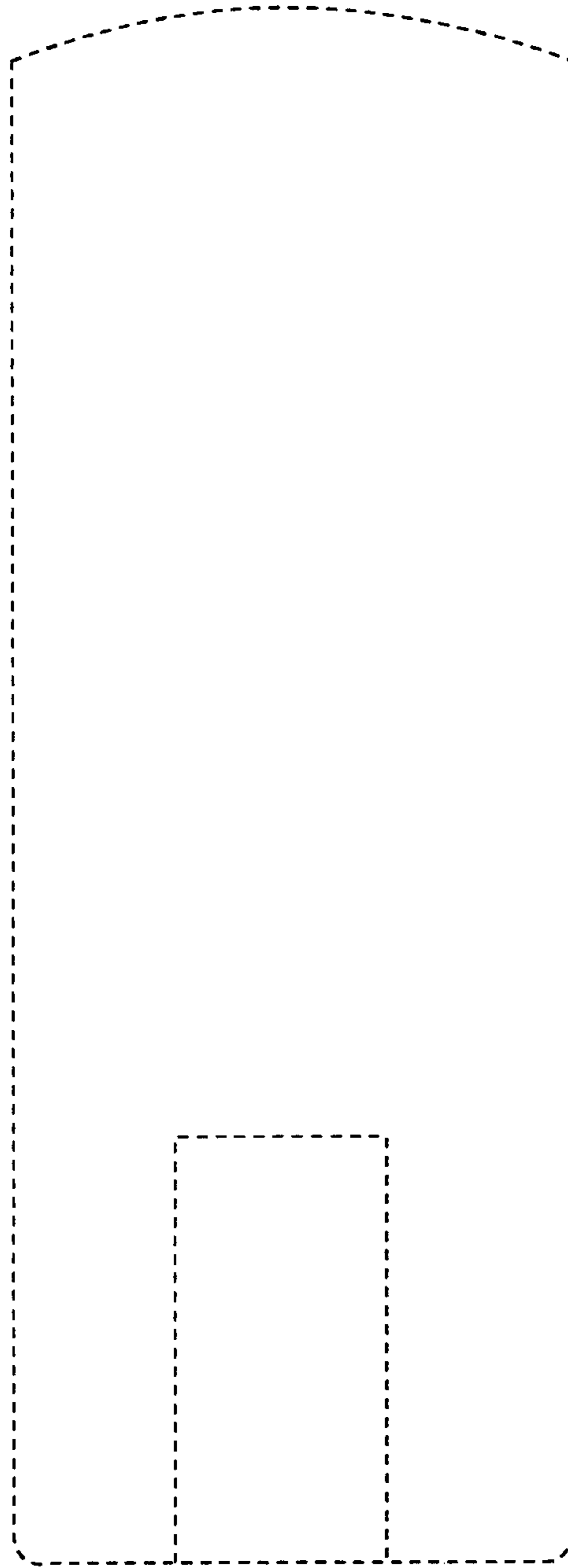


FIGURE 6

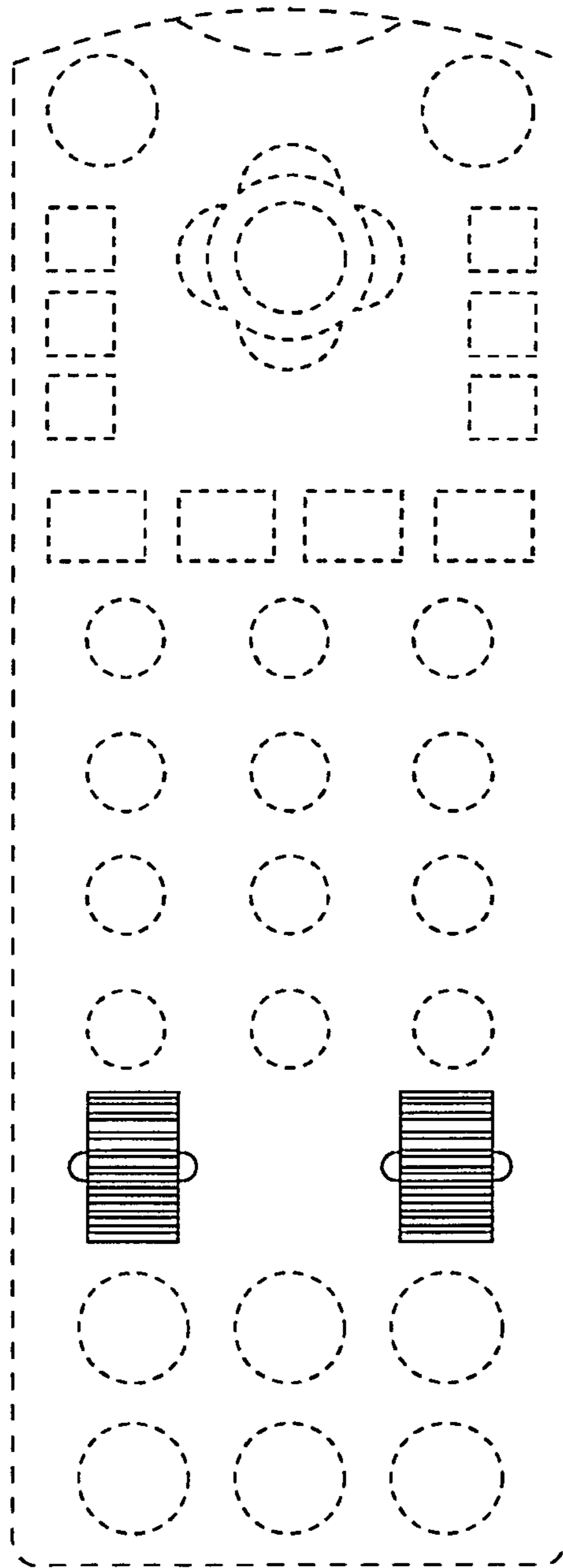


FIGURE 7