



US00D736182S

(12) **United States Design Patent**  
**Poandl**

(10) **Patent No.:** **US D736,182 S**

(45) **Date of Patent:** **\*\* Aug. 11, 2015**

(54) **PORTABLE RECHARGEABLE SPEAKER**

(71) Applicant: **Mary Beth Poandl**, Red Bank, NJ (US)

(72) Inventor: **Mary Beth Poandl**, Red Bank, NJ (US)

(73) Assignee: **SDI TECHNOLOGIES, INC.**, Rahway, NJ (US)

(\*\*) Term: **14 Years**

(21) Appl. No.: **29/477,595**

(22) Filed: **Dec. 24, 2013**

(51) **LOC (10) Cl.** ..... **14-03**

(52) **U.S. Cl.**  
USPC ..... **D14/216**

(58) **Field of Classification Search**  
USPC ..... D14/167, 168, 170-172, 188, 194-196, D14/204, 207, 209.1, 210-216, 219, 221, D14/222, 224, 496; 181/143, 144, 147, 148, 181/150, 153, 157, 198, 199; 381/300-303, 381/306, 332, 333, 336, 345, 361-364, 381/386-388; 369/6-12  
CPC .... B60R 11/0217; G06F 1/1688; H04M 1/03; H04M 1/035; H04R 1/02; H04R 1/06; H04R 1/021; H04R 1/025; H04R 1/026; H04R 1/028; H04R 1/105; H04R 1/323; H04R 1/403; H04R 1/2803; H04R 1/2834; H04R 5/02; H04R 7/20; H04R 9/06; H04R 9/025; H04R 2201/021; H04R 2400/00; H04R 2400/07; H04R 2499/11; H04R 2499/13; H04R 2499/15; H04S 3/00; H04S 7/30

See application file for complete search history.

(56) **References Cited**

U.S. PATENT DOCUMENTS

D602,911 S	*	10/2009	Wang et al.	.....	D14/216
D610,573 S	*	2/2010	Joseph	.....	D14/216
D620,480 S	*	7/2010	Garrett	.....	D14/216
D656,486 S	*	3/2012	Parraga Gimeno	.....	D14/216
D699,218 S	*	2/2014	Lee	.....	D14/216
D710,826 S	*	8/2014	Holzer	.....	D14/216
D720,332 S	*	12/2014	Kim	.....	D14/216

\* cited by examiner

*Primary Examiner* — Keli L Hill

(74) *Attorney, Agent, or Firm* — Ostrolenk Faber LLP

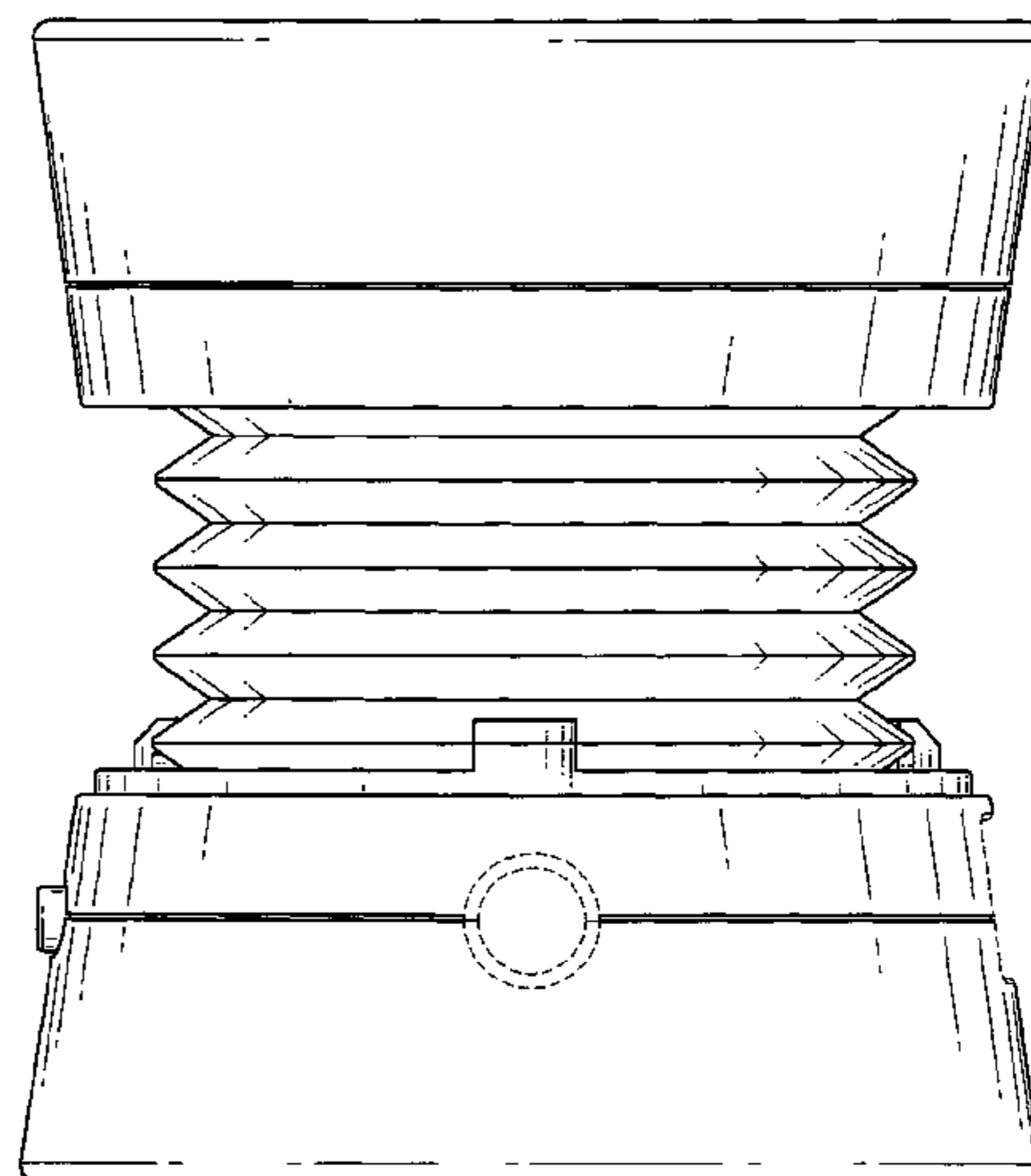
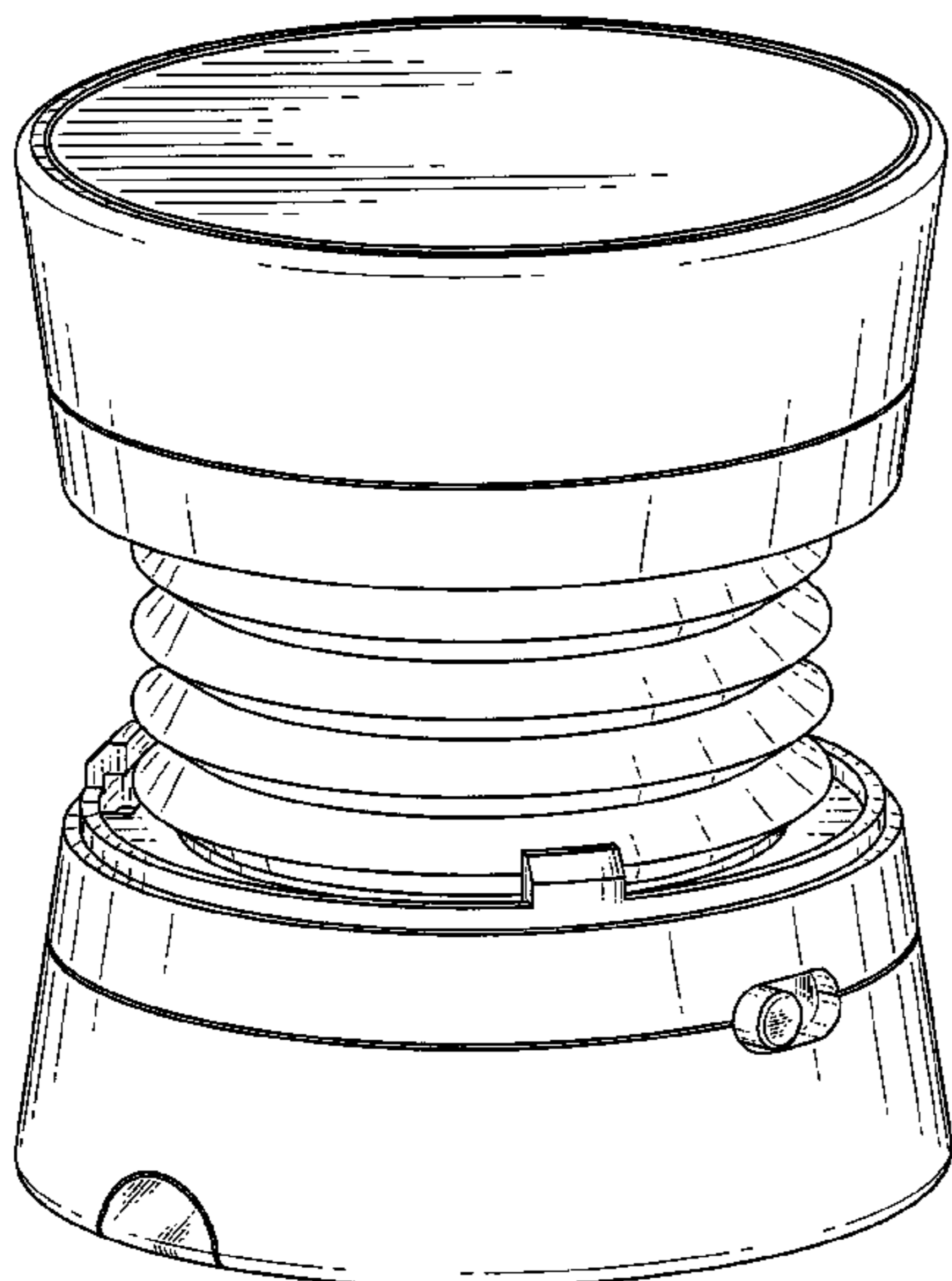
(57) **CLAIM**

The ornamental design for a portable rechargeable speaker, as shown and described.

**DESCRIPTION**

FIG. 1 is a top, front, perspective view of a portable rechargeable speaker showing my new design in an open condition; FIG. 2 is a front view thereof; FIG. 3 is a rear view thereof; FIG. 4 is a top view thereof; FIG. 5 is a bottom view thereof; FIG. 6 is a left side view thereof; FIG. 7 is a right side view thereof; FIG. 8 is a cross-sectional view thereof along line 8-8 in FIG. 2; FIG. 9 is a cross-sectional view thereof along line 9-9 in FIG. 2; FIG. 10 is a top, perspective view thereof showing my new design in a closed condition; FIG. 11 is a front view thereof; FIG. 12 is a rear view thereof; FIG. 13 is a left side view thereof; and, FIG. 14 is a right side view thereof. The broken lines in the drawings illustrate environmental material that forms no part of the claimed design.

**1 Claim, 14 Drawing Sheets**



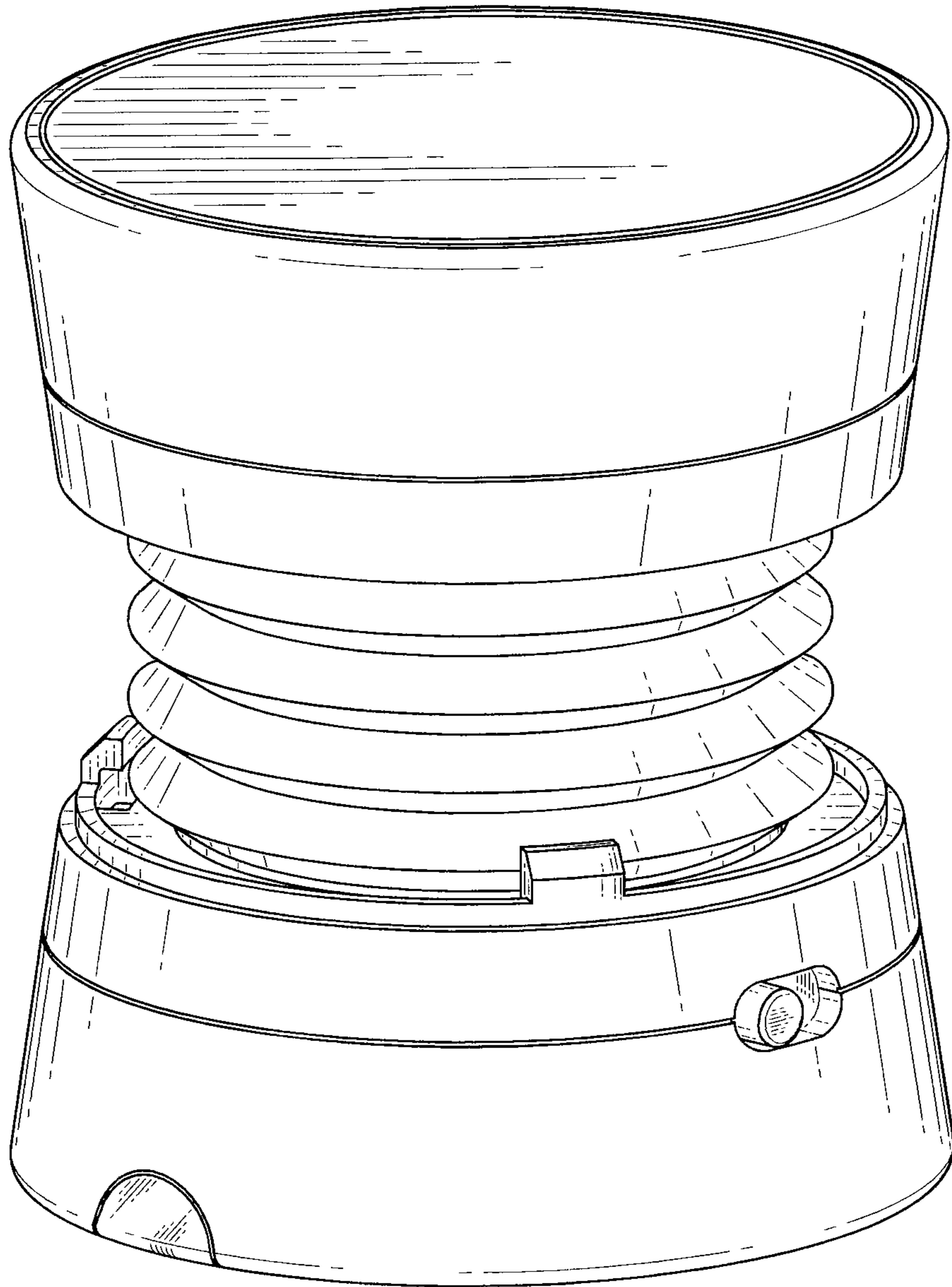


FIG. 1

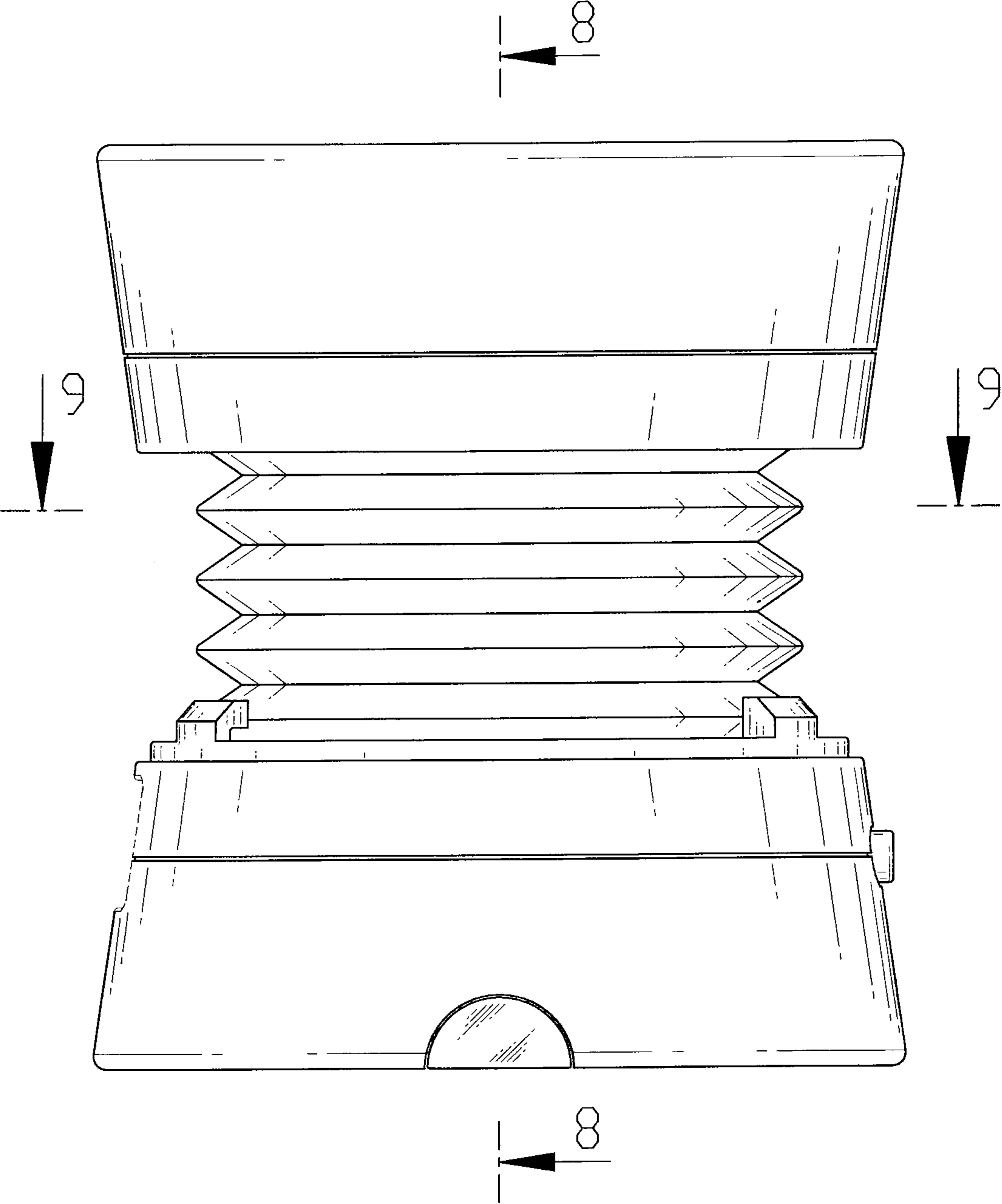


FIG. 2

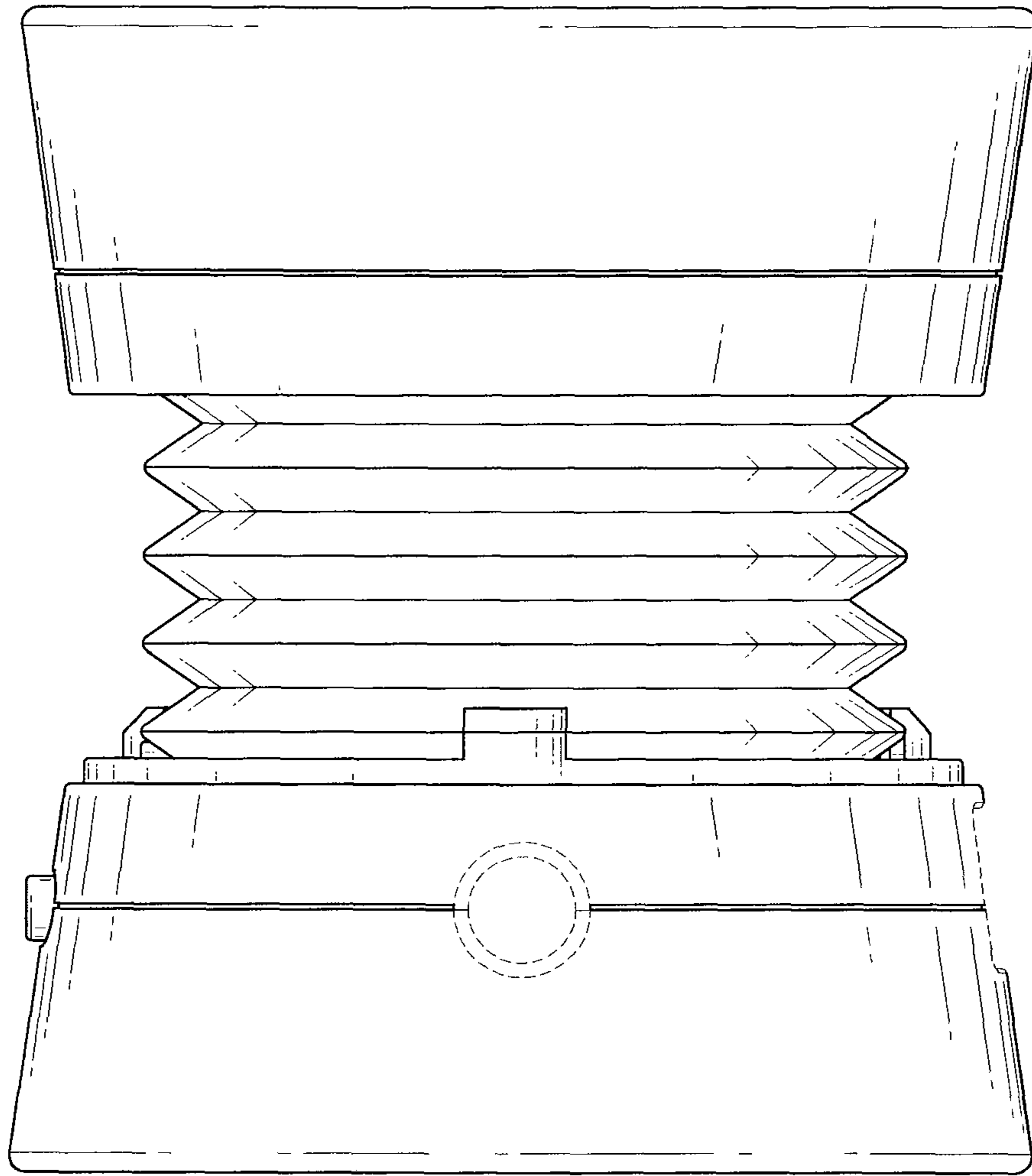
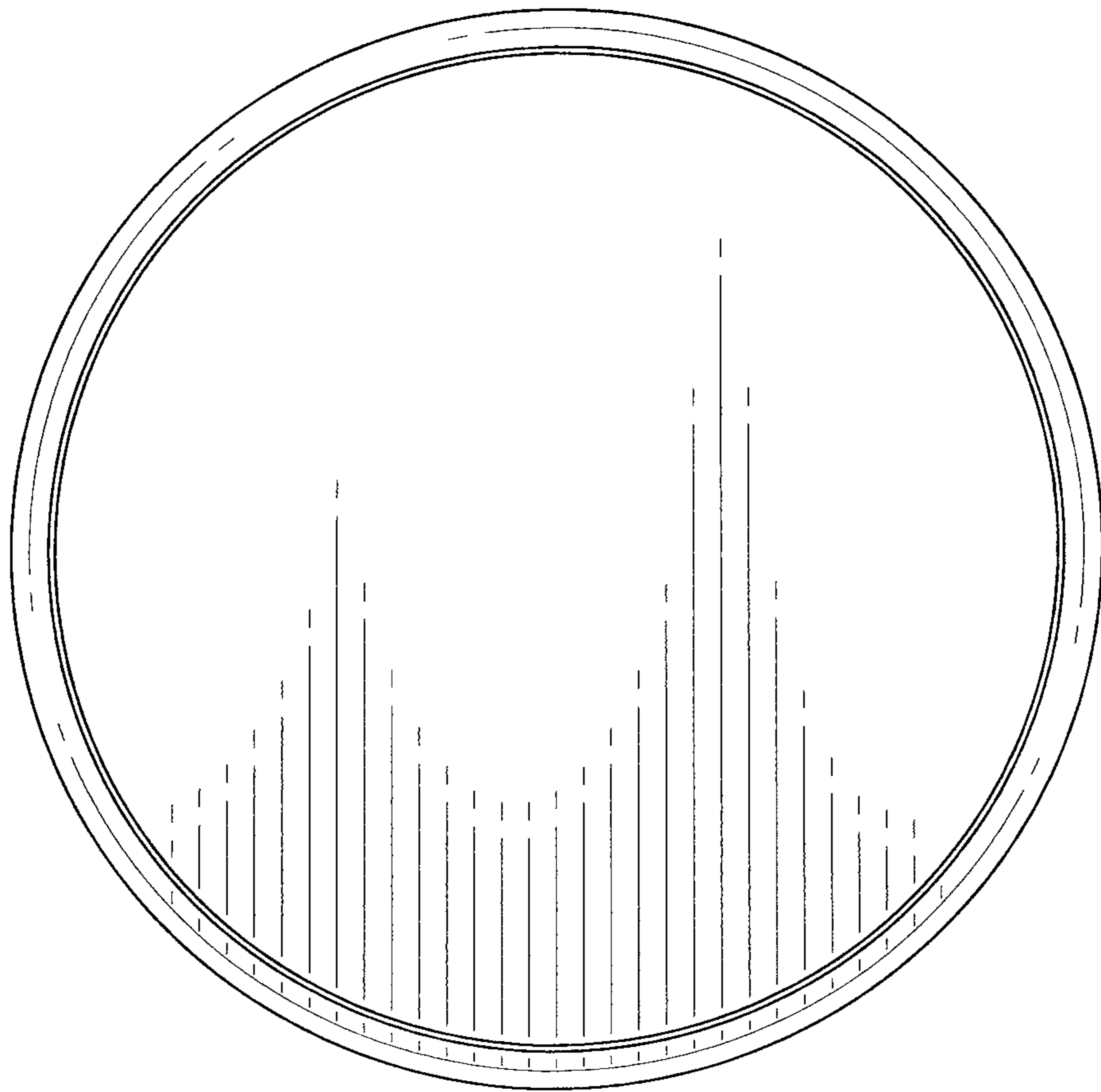


FIG. 3



**FIG. 4**

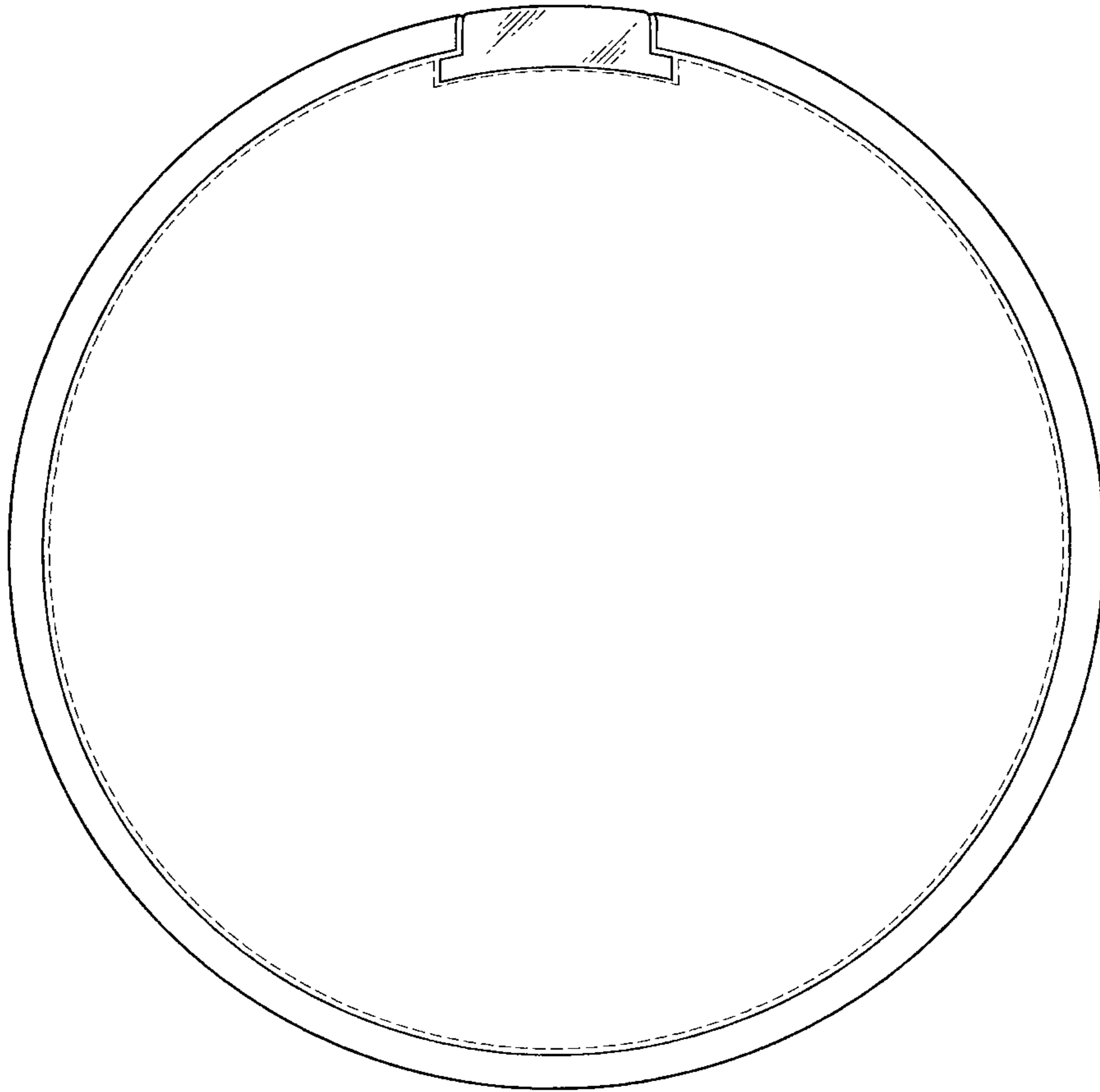


FIG. 5

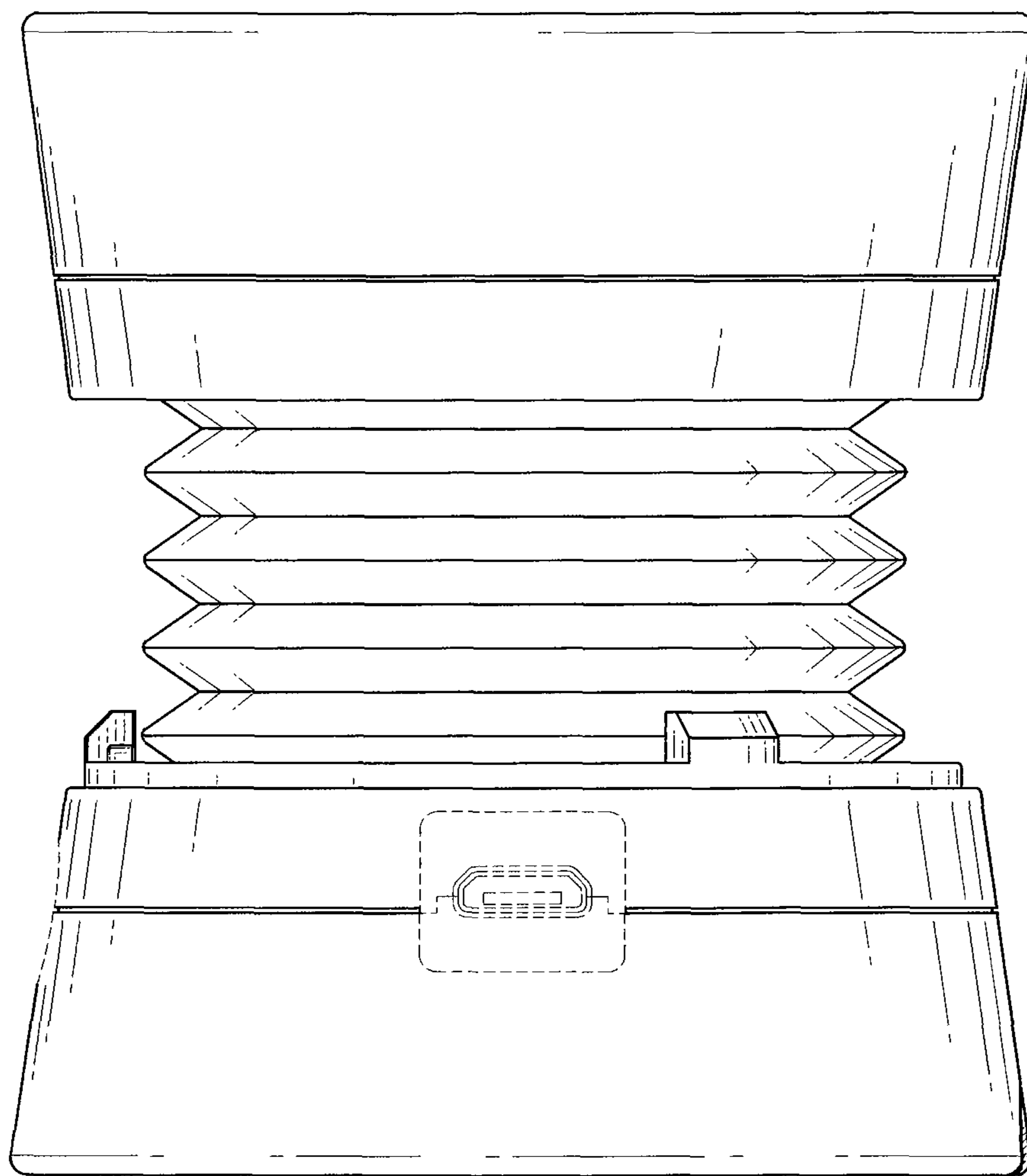


FIG. 6

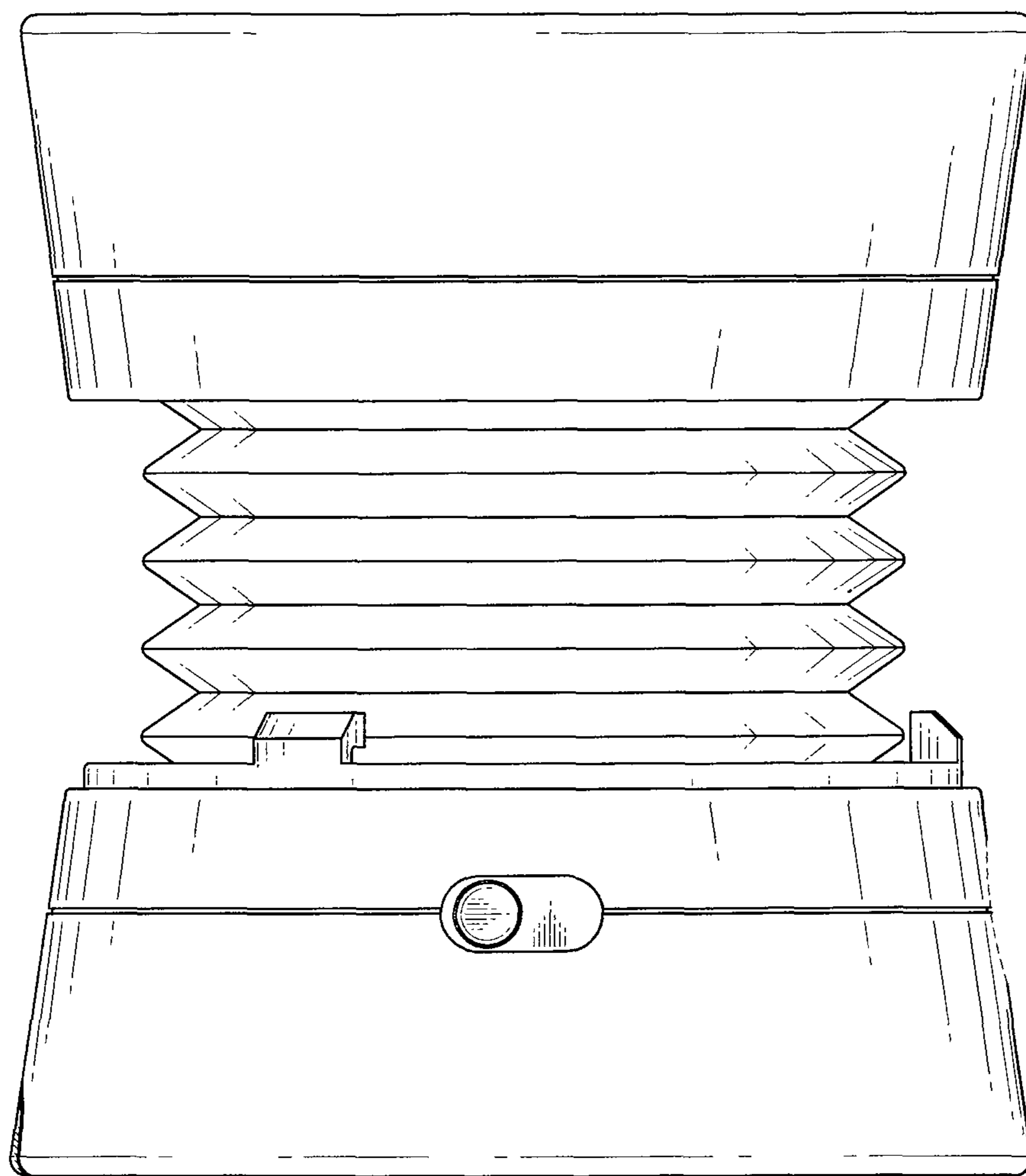


FIG. 7



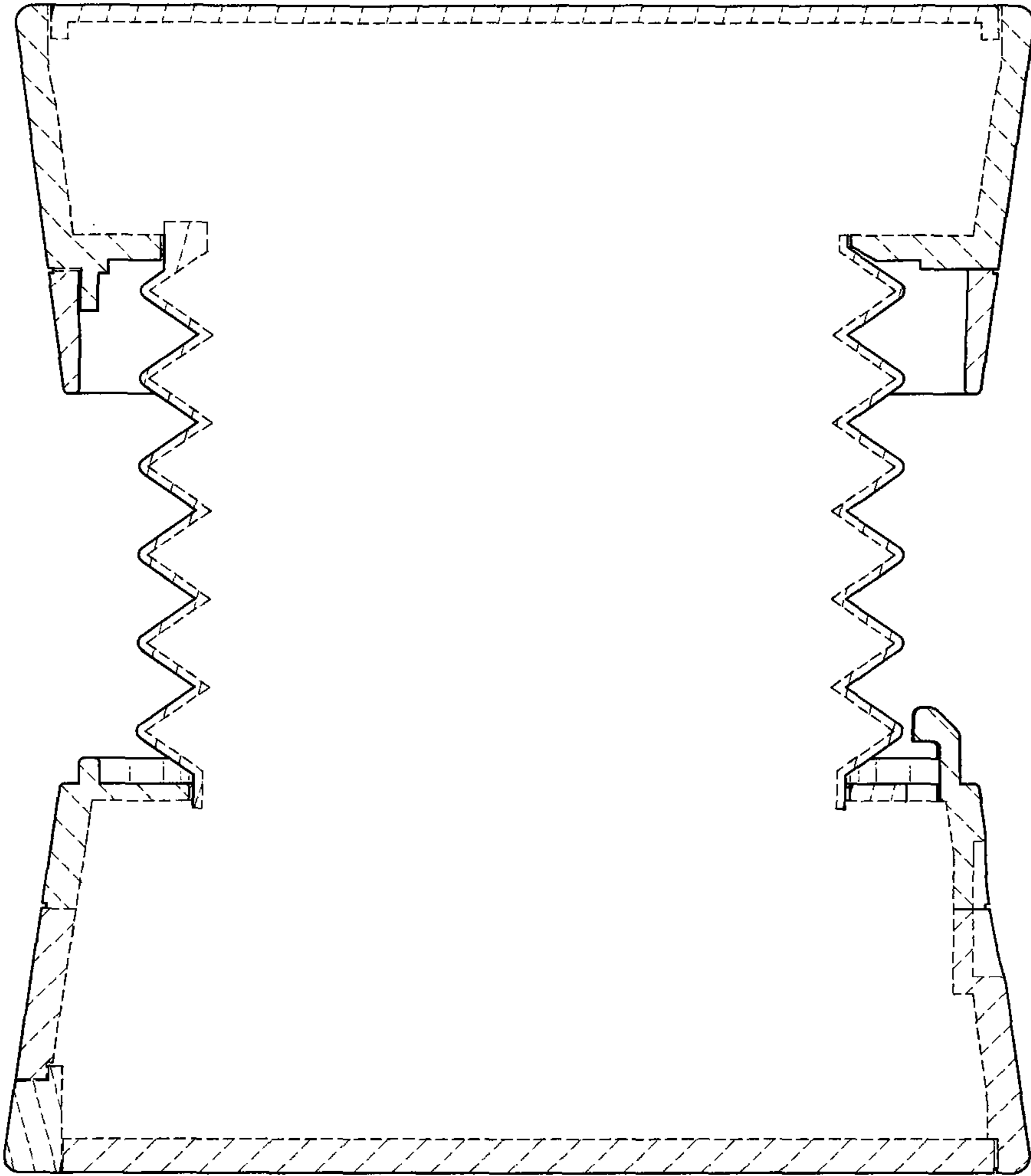


FIG. 8

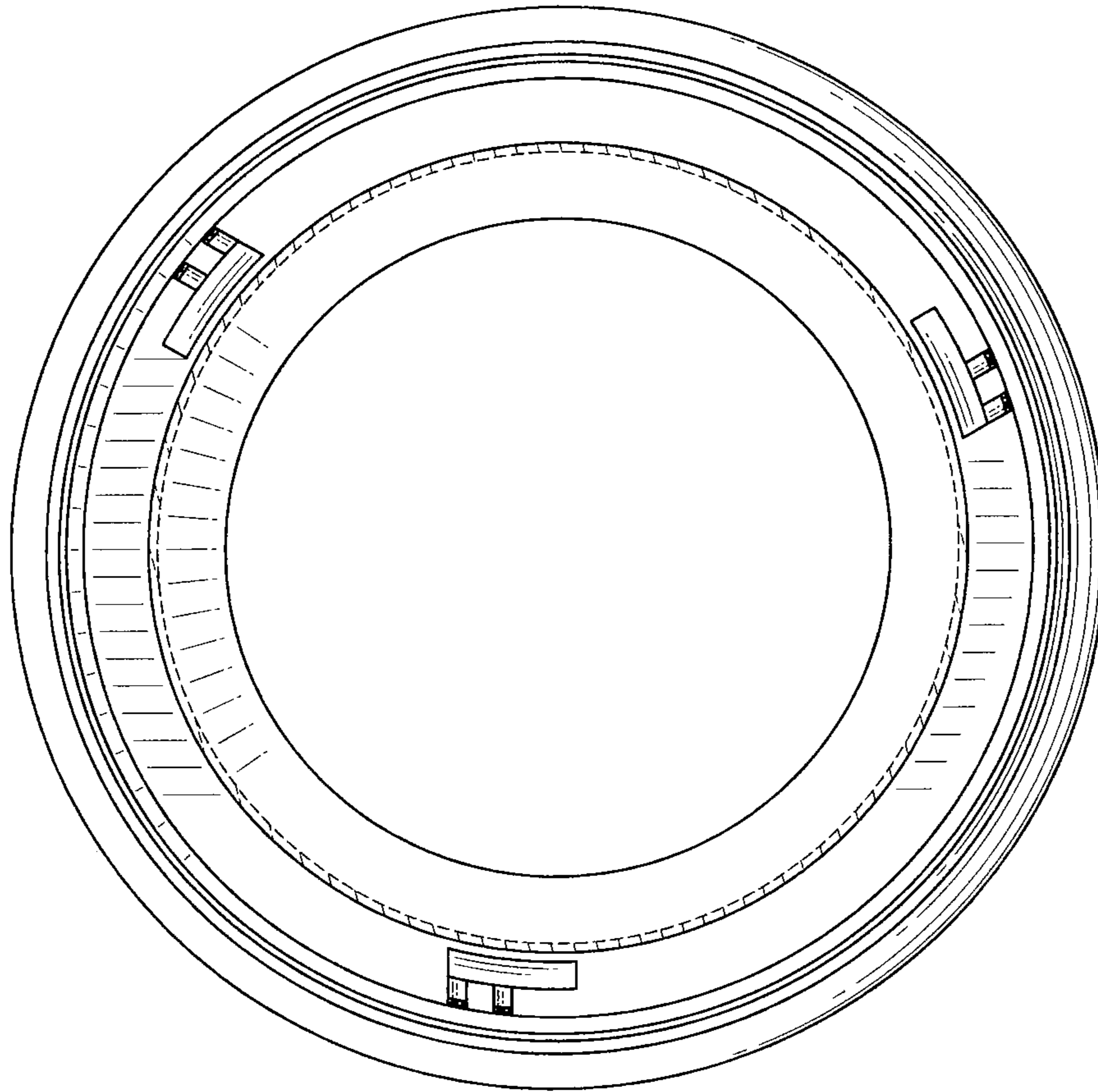


FIG. 9

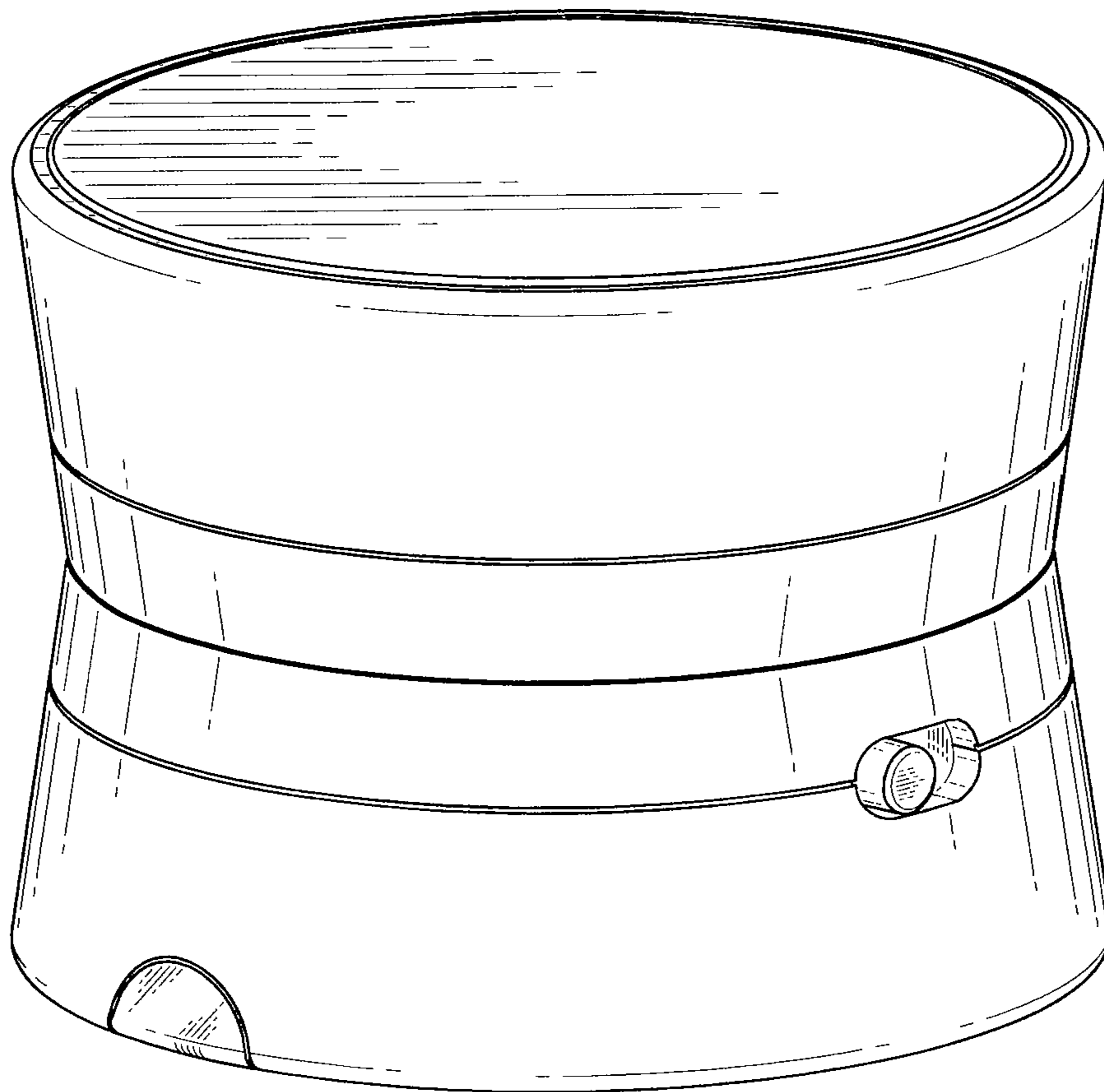


FIG. 10

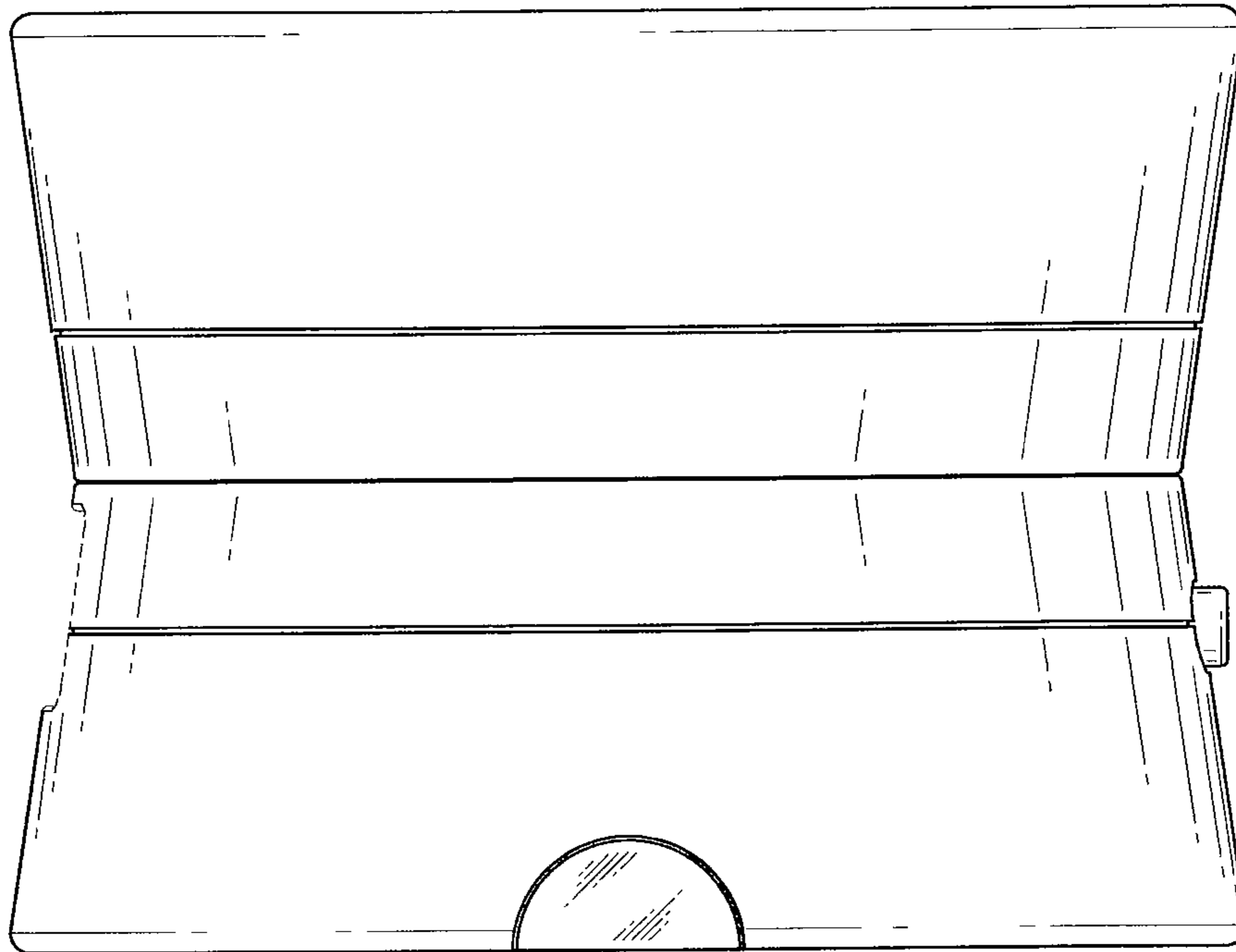


FIG. 11

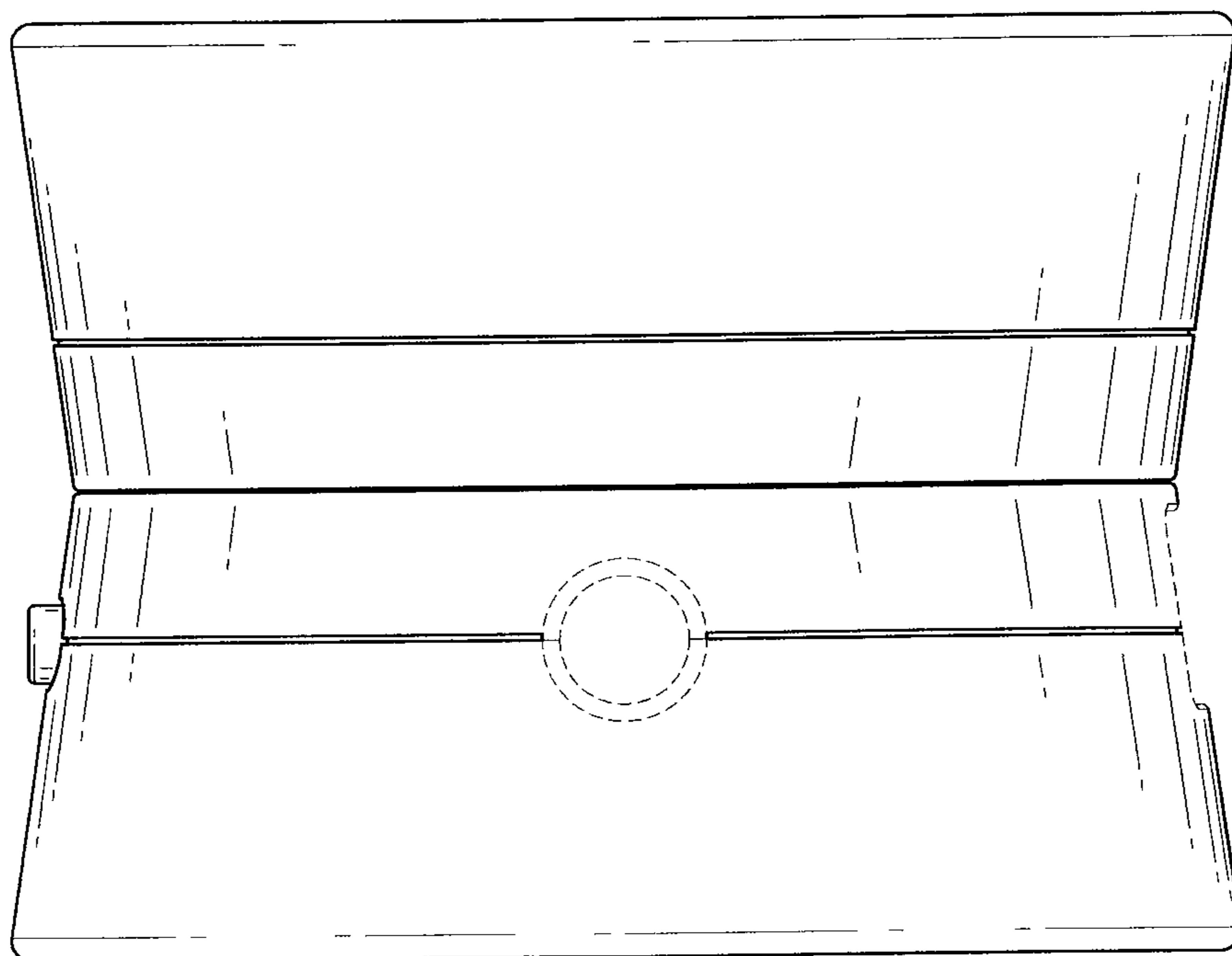


FIG. 12

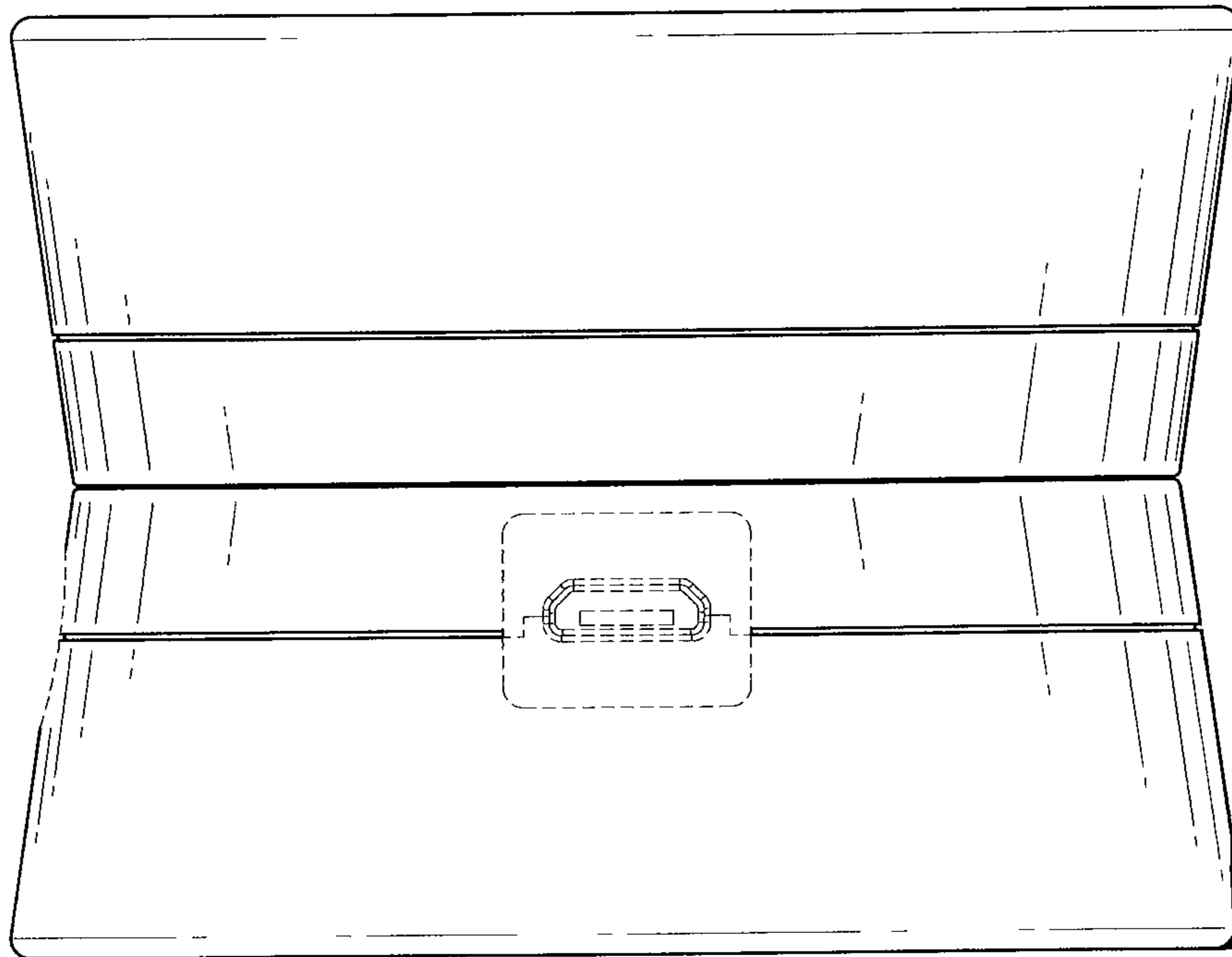


FIG. 13

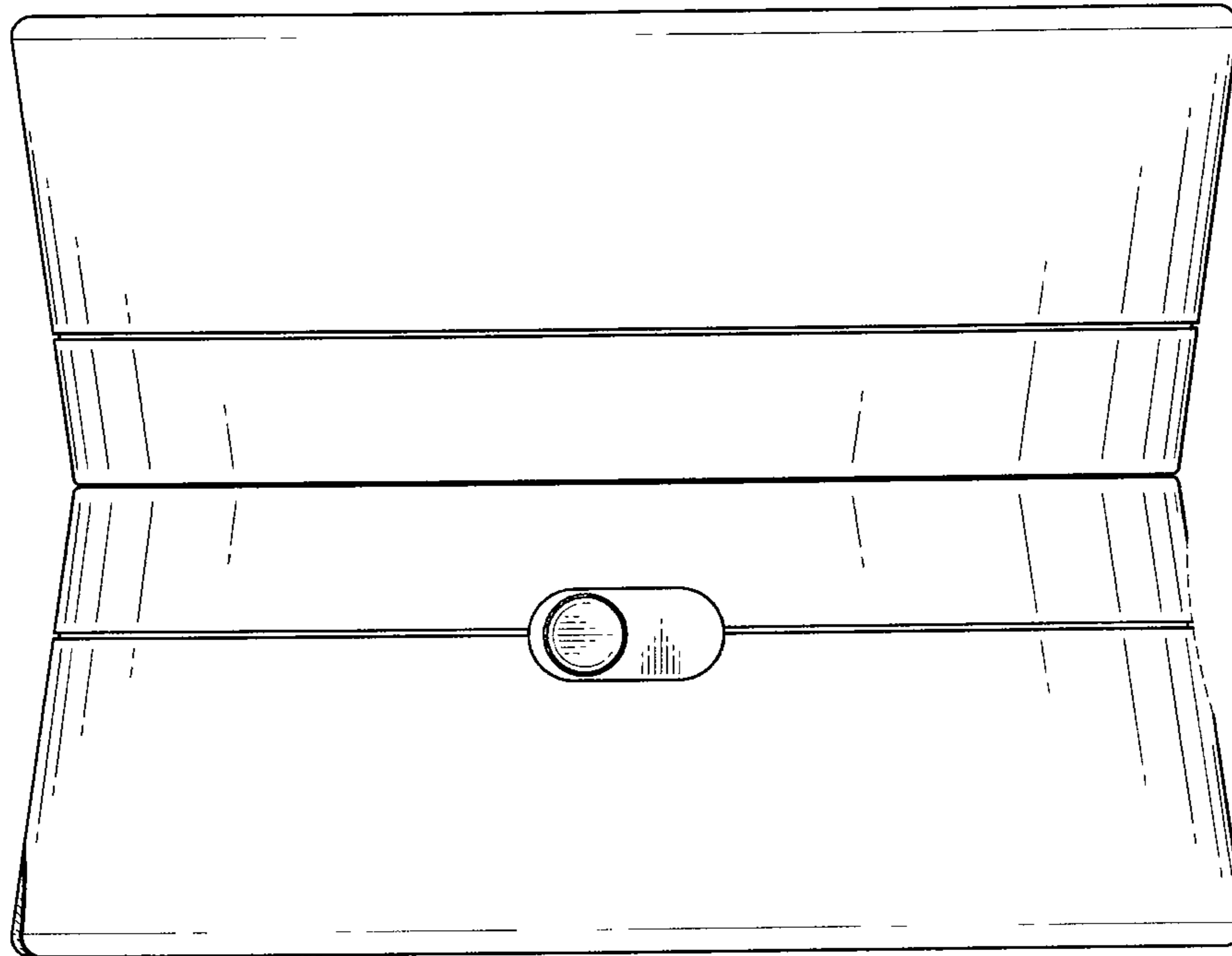


FIG. 14