



US00D736181S

(12) **United States Design Patent**
Mackiewicz et al.

(10) **Patent No.:** **US D736,181 S**

(45) **Date of Patent:** **** Aug. 11, 2015**

(54) **LOUDSPEAKER**

2400/07; H04R 2499/11; H04R 2499/13;
H04R 2499/15; H04S 3/00; H04S 7/30

(71) Applicant: **Harman International Industries, Incorporated**, Northridge, CA (US)

See application file for complete search history.

(72) Inventors: **Damian Mackiewicz**, Shenzhen (CN);
Alexander Demin, Shenzhen (CN);
Cyrille Rouffiat, Shenzhen (CN)

(56) **References Cited**

U.S. PATENT DOCUMENTS

(73) Assignee: **Harman International Industries, Incorporated**, Northridge, CA (US)

| | | | | | | |
|----------|---|---|---------|--------------|-------|---------|
| D483,741 | S | * | 12/2003 | Olson et al. | | D14/216 |
| D557,208 | S | * | 12/2007 | Solland | | D13/108 |
| D635,552 | S | * | 4/2011 | Yokoyama | | D14/216 |
| D722,594 | S | * | 2/2015 | Won | | D14/216 |

(**) Term: **14 Years**

* cited by examiner

(21) Appl. No.: **29/465,836**

Primary Examiner — Keli L Hill

(22) Filed: **Aug. 30, 2013**

(74) *Attorney, Agent, or Firm* — Plumsea Law Group, LLC

(51) **LOC (10) Cl.** **14-03**

(52) **U.S. Cl.**
USPC **D14/216**

(57) **CLAIM**

The ornamental design for a loudspeaker, as shown and described.

(58) **Field of Classification Search**

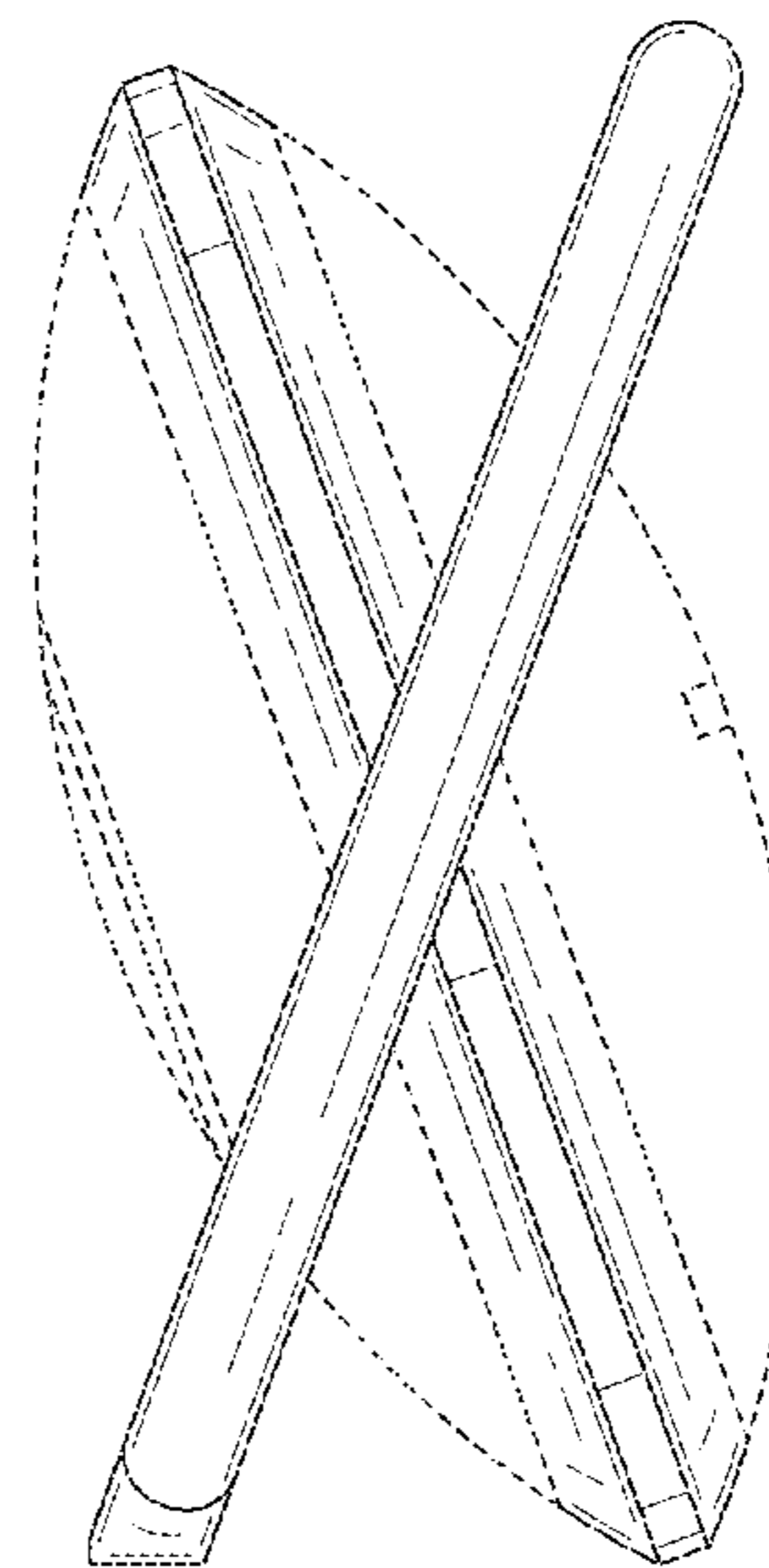
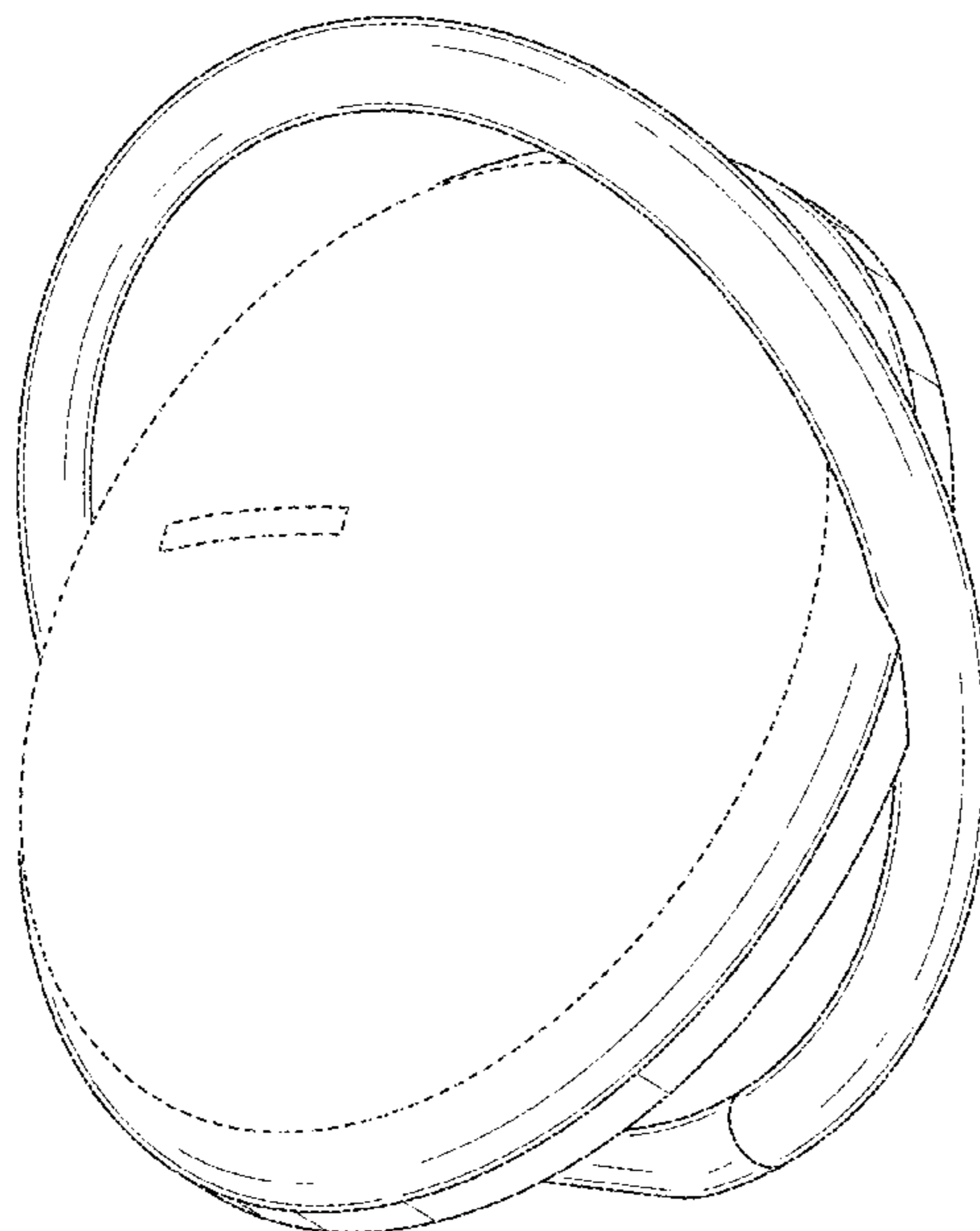
USPC D14/167, 168, 170–172, 188, 194–196,
D14/204, 207, 209.1, 210–216, 219, 221,
D14/222, 224, 496; 181/143, 144, 147, 148,
181/150, 153, 157, 198, 199; 381/300–303,
381/306, 332, 333, 336, 345, 361–364,
381/386–388; 369/6–12

CPC B60R 11/0217; G06F 1/1688; H04M 1/03;
H04M 1/035; H04R 1/02; H04R 1/06; H04R
1/021; H04R 1/025; H04R 1/026; H04R
1/028; H04R 1/105; H04R 1/323; H04R
1/403; H04R 1/2803; H04R 1/2834; H04R
5/02; H04R 7/20; H04R 9/06; H04R 9/025;
H04R 2201/021; H04R 2400/00; H04R

DESCRIPTION

FIG. 1 is a perspective view of a loudspeaker showing our new design;
FIG. 2 is a front elevational view thereof;
FIG. 3 is a rear elevational view of one side thereof;
FIG. 4 is a side elevational view thereof;
FIG. 5 is a side elevation view of the opposite side thereof;
FIG. 6 is a bottom plan view thereof; and,
FIG. 7 is a top plan view thereof.
The broken line showings form no part of the claimed design.

1 Claim, 7 Drawing Sheets



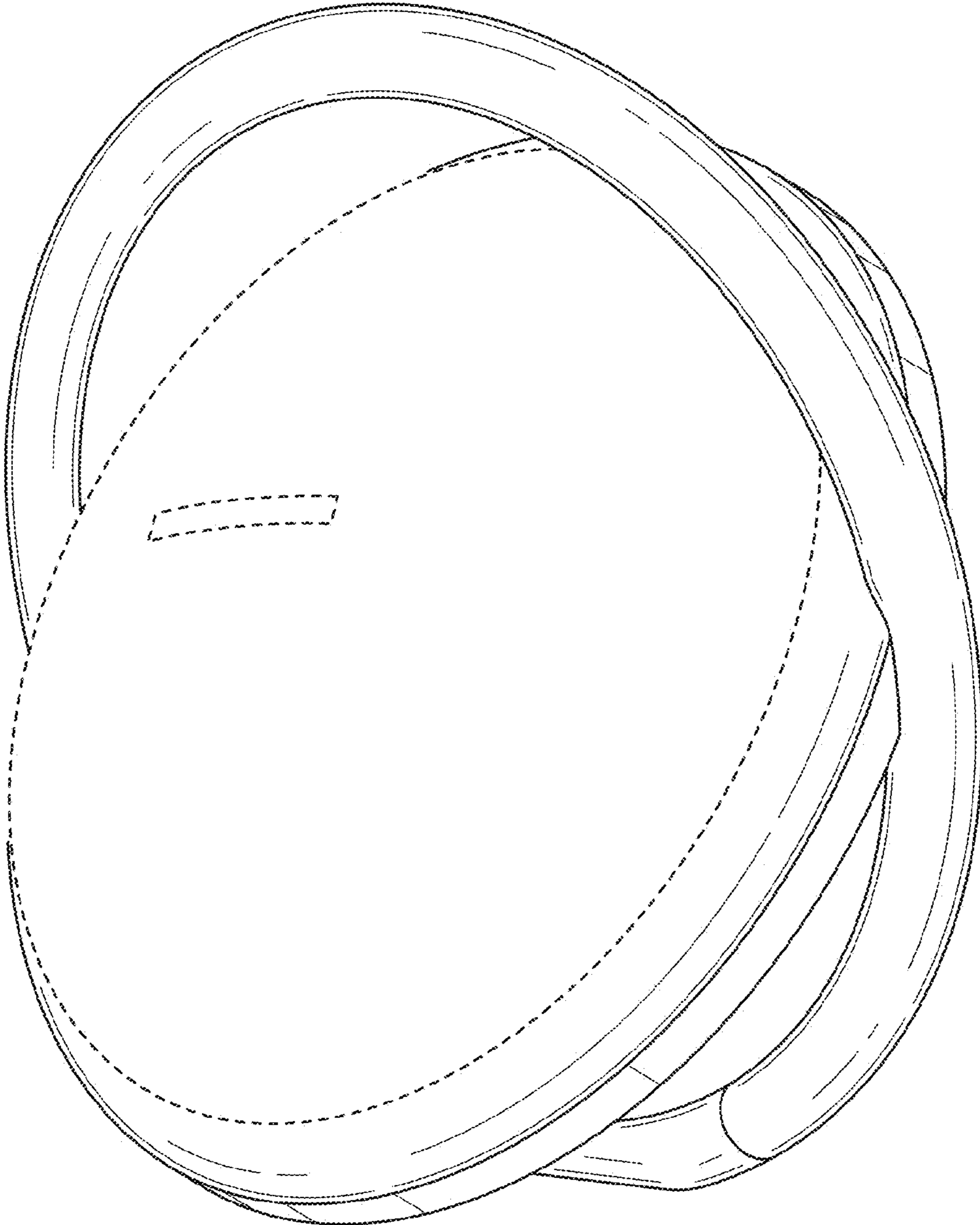


FIG. 1

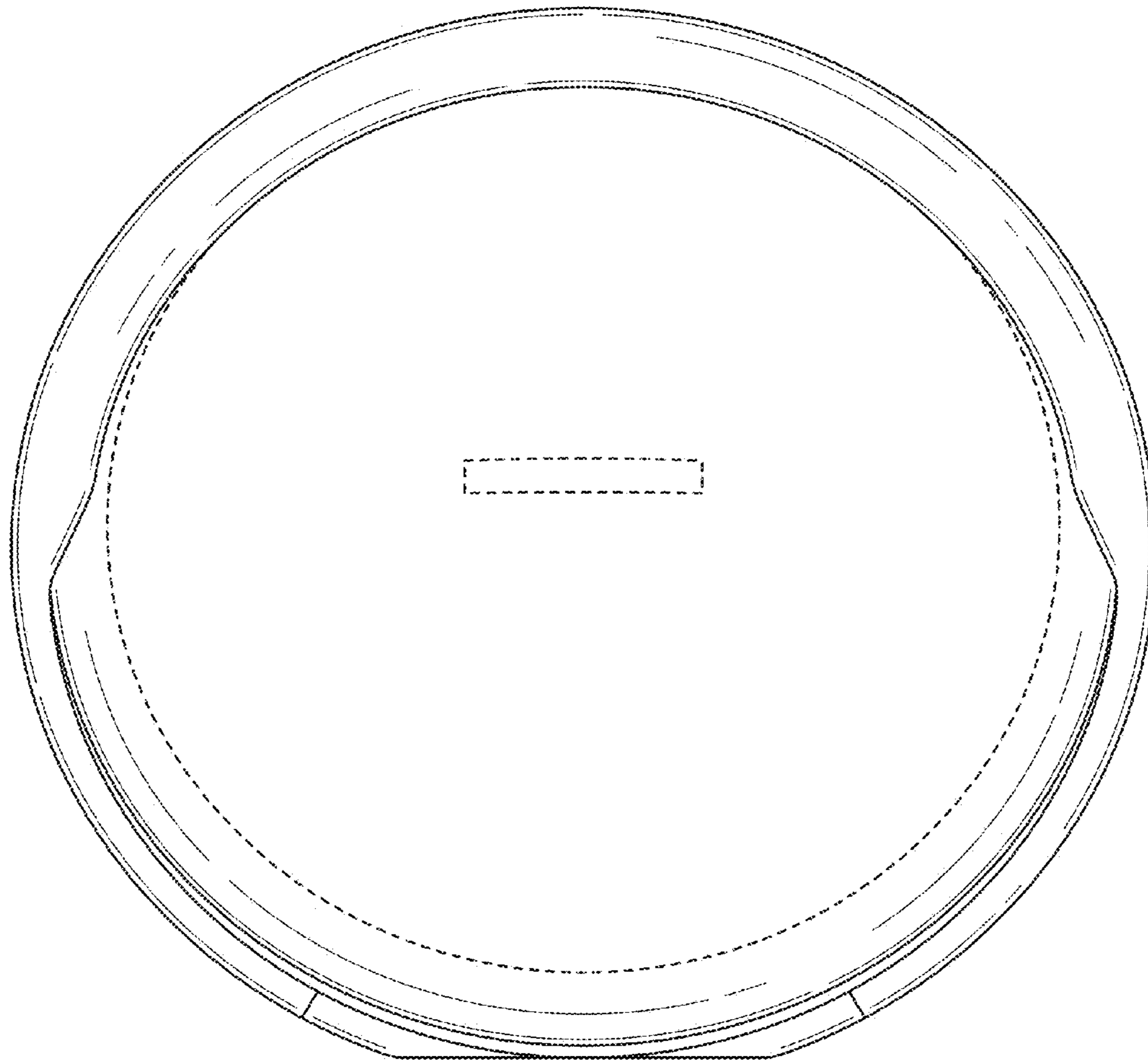


FIG. 2

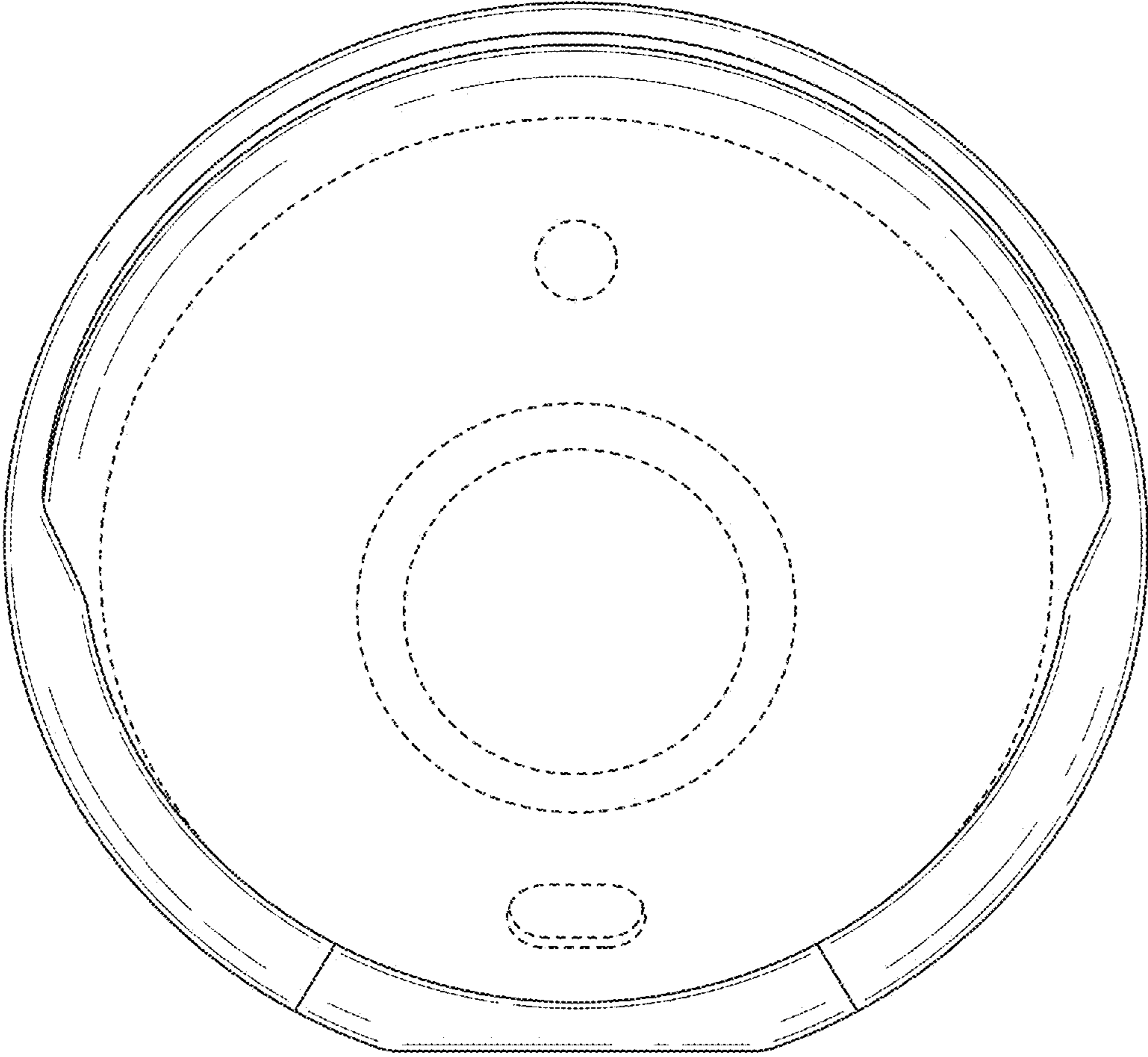


FIG. 3

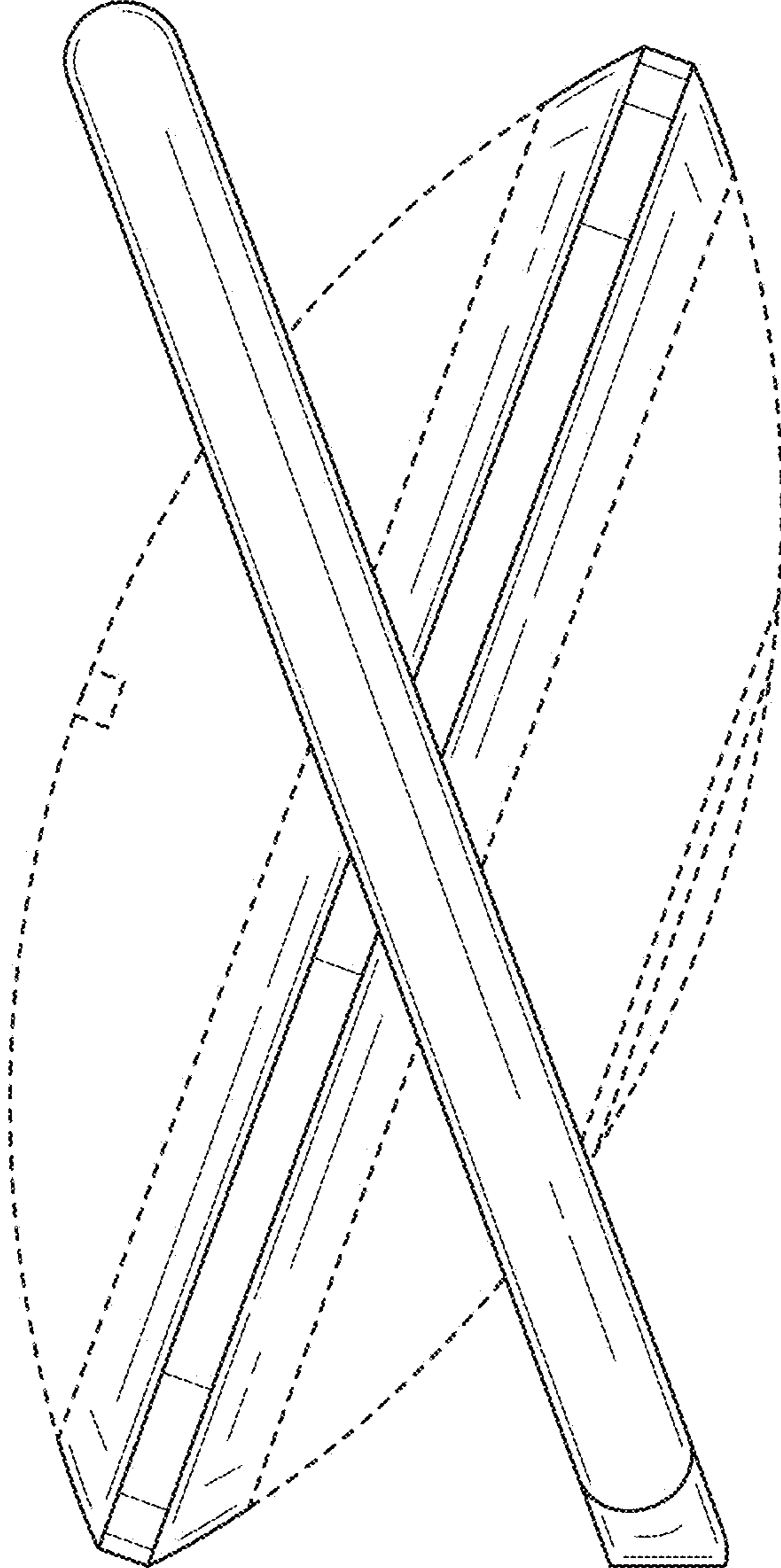


FIG. 4

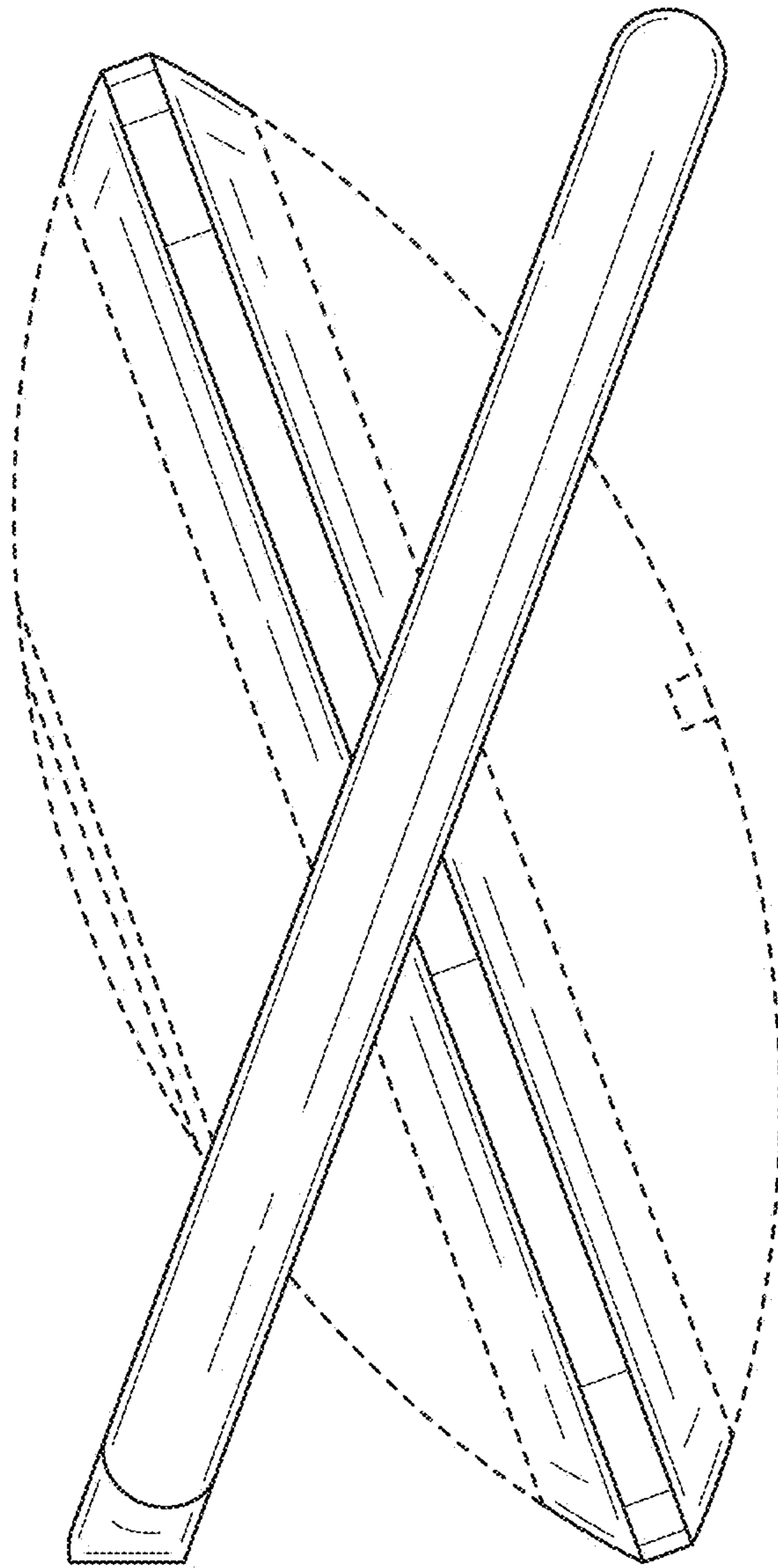


FIG. 5

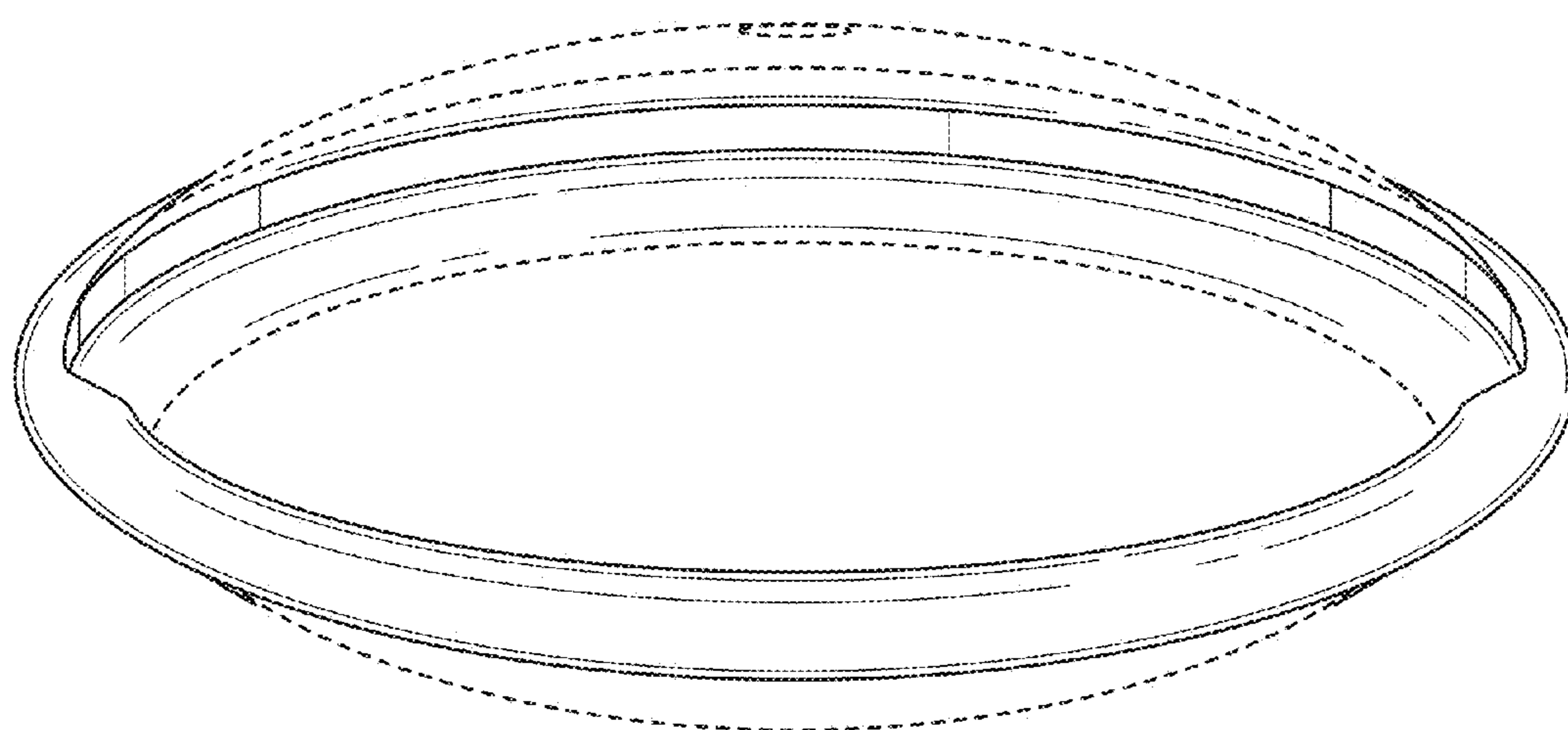


FIG. 6

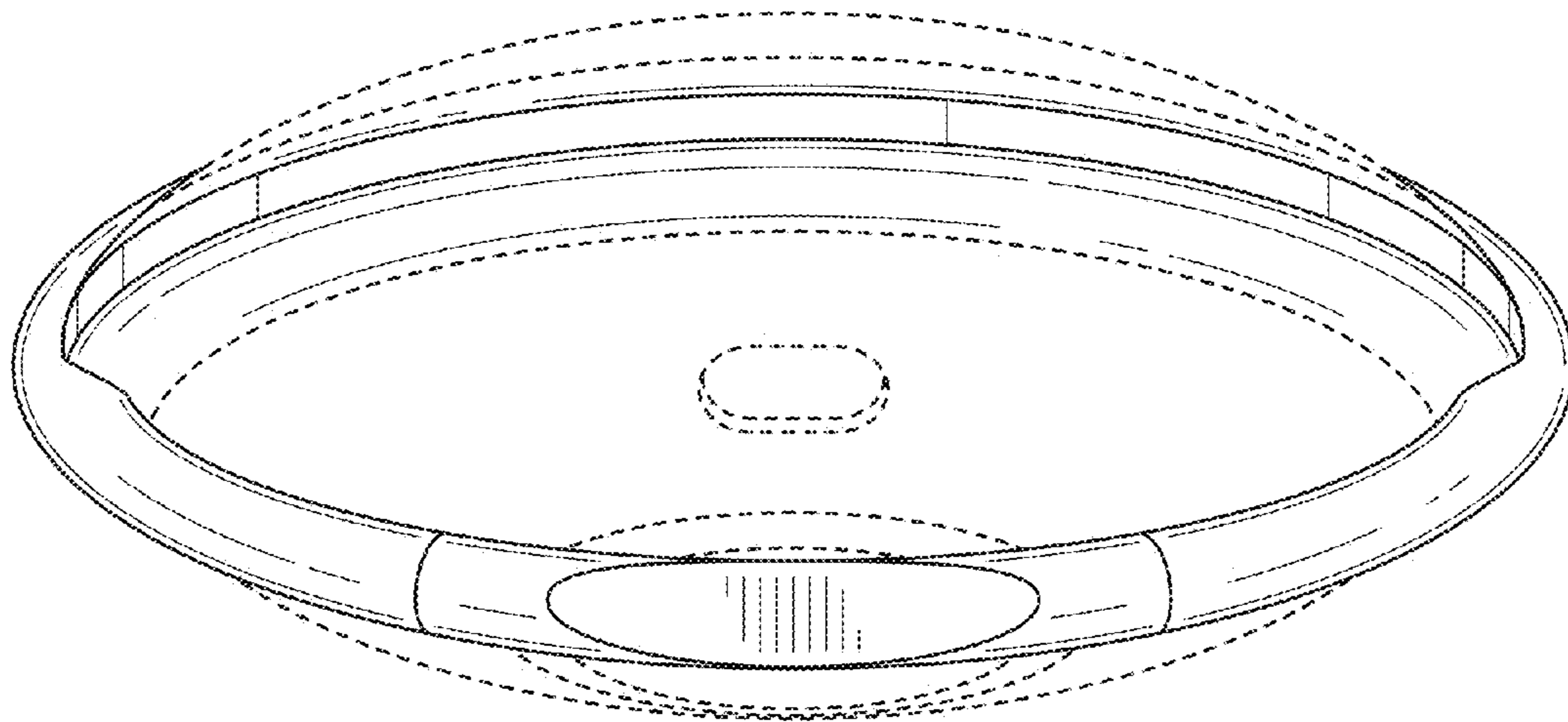


FIG. 7