



US00D736180S

(12) **United States Design Patent**
Paslawski

(10) **Patent No.:** **US D736,180 S**

(45) **Date of Patent:** **** Aug. 11, 2015**

(54) **SPEAKER TOWER WITH CIRCULAR MEDIA DOCK**

(71) Applicant: **Ray N. Paslawski**, Wildwood, MO (US)

(72) Inventor: **Ray N. Paslawski**, Wildwood, MO (US)

(73) Assignee: **POSITIVE OUTCOMES, INC.**,
Wildwood, MO (US)

(**) Term: **14 Years**

(21) Appl. No.: **29/477,959**

(22) Filed: **Dec. 30, 2013**

(51) **LOC (10) Cl.** **14-03**

(52) **U.S. Cl.**
USPC **D14/213; D14/215**

(58) **Field of Classification Search**

USPC D14/167, 168, 170–172, 188, 194–196,
D14/204, 207, 209.1, 210–216, 219, 221,
D14/222, 224, 496; 181/143, 144, 147, 148,
181/150, 153, 157, 198, 199; 381/300–303,
381/306, 332, 333, 336, 345, 361–364,
381/386–388; 369/6–12

CPC B60R 11/0217; G06F 1/1688; H04M 1/03;
H04M 1/035; H04R 1/02; H04R 1/06; H04R
1/021; H04R 1/025; H04R 1/026; H04R
1/028; H04R 1/105; H04R 1/323; H04R
1/403; H04R 1/2803; H04R 1/2834; H04R
5/02; H04R 7/20; H04R 9/06; H04R 9/025;
H04R 2201/021; H04R 2400/00; H04R
2400/07; H04R 2499/11; H04R 2499/13;
H04R 2499/15; H04S 3/00; H04S 7/30

See application file for complete search history.

(56) **References Cited**

U.S. PATENT DOCUMENTS

D265,822	S	*	8/1982	Hartwein et al.	D14/211
5,283,835	A	*	2/1994	Athanas	381/190
D362,439	S	*	9/1995	Mark	D14/211
D362,667	S	*	9/1995	Sohn	D14/214
D368,710	S	*	4/1996	Althans	D14/128
D375,499	S	*	11/1996	Meyer et al.	D14/214
D382,270	S	*	8/1997	Matsuoka	D14/214
D486,474	S	*	2/2004	Allen	D14/215
D516,543	S	*	3/2006	Kubota	D14/214
D615,963	S	*	5/2010	Cho et al.	D14/214
D624,047	S	*	9/2010	Kim	D14/215
D653,237	S	*	1/2012	Davies et al.	D14/211
D670,677	S	*	11/2012	Pfeifer et al.	D14/212
D672,751	S	*	12/2012	Davies et al.	D14/215
D679,679	S	*	4/2013	Paslawski	D14/215
D712,377	S	*	9/2014	Delrue	D14/213
D713,819	S	*	9/2014	Millen	D14/211
D716,266	S	*	10/2014	Kim et al.	D14/215

* cited by examiner

Primary Examiner — Keli L Hill

(74) *Attorney, Agent, or Firm* — Polster Lieder Woodruff & Lucchesi L.C.

(57) **CLAIM**

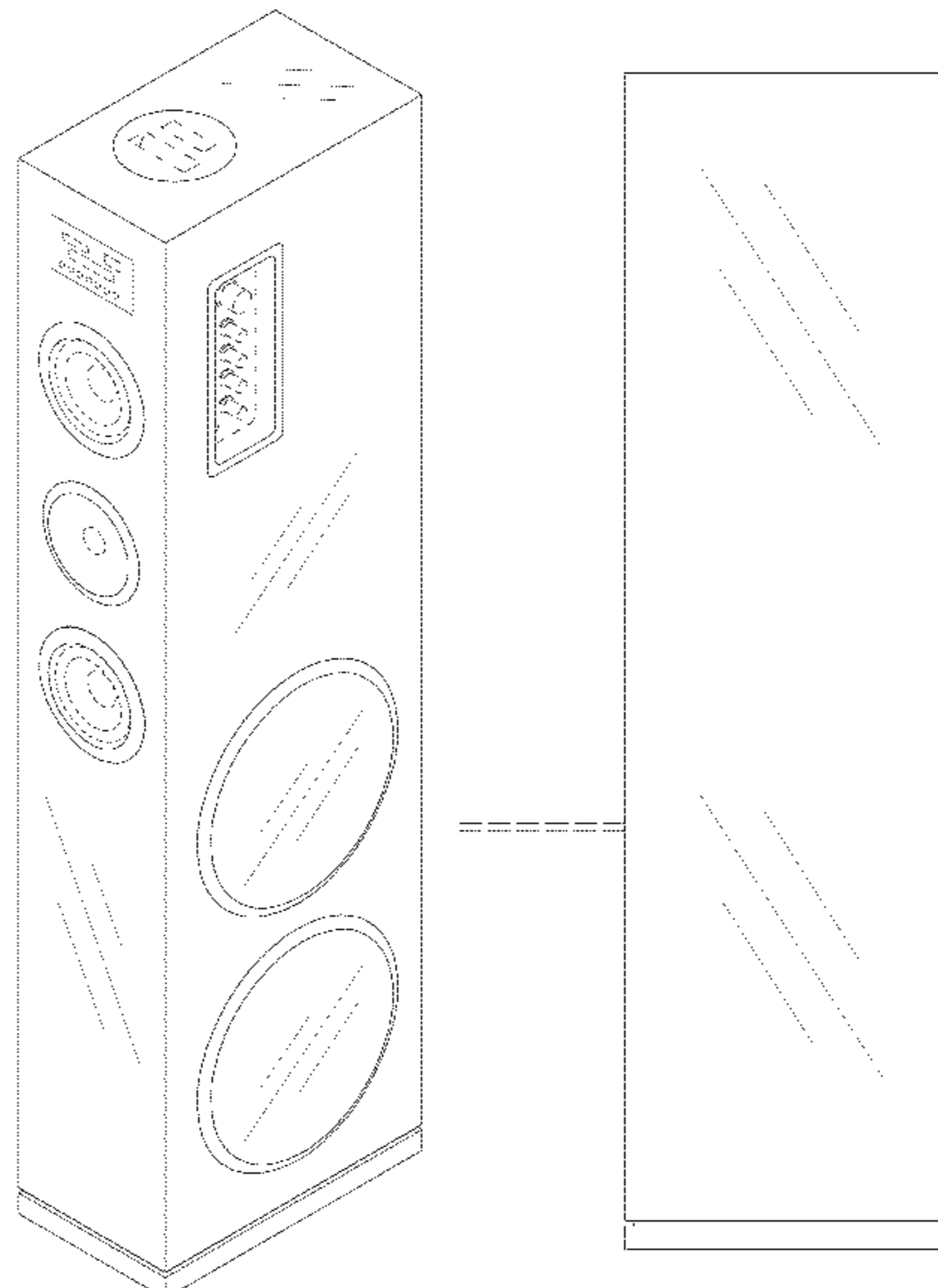
The ornamental design for a speaker tower with circular media dock, as shown and described.

DESCRIPTION

FIG. 1 is a perspective view of a speaker tower with circular media dock, embodying my new design;
FIG. 2 is a top plan view thereof;
FIG. 3 is a bottom plan view thereof;
FIG. 4 is a right side elevation view thereof;
FIG. 5 is a left side elevation view thereof;
FIG. 6 is a front elevation view thereof; and,
FIG. 7 is a rear elevation view thereof.

The broken lines shown are included for the purpose of illustrating portions of the speaker tower with circular media dock that form no part of the claim.

1 Claim, 7 Drawing Sheets



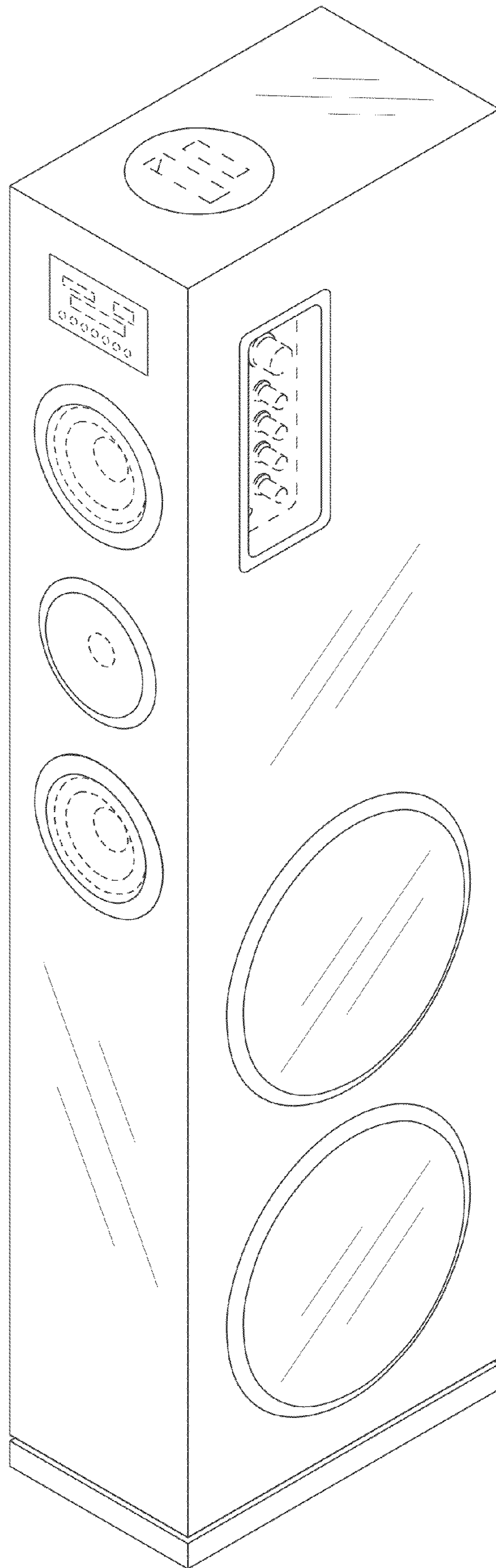


Fig 1

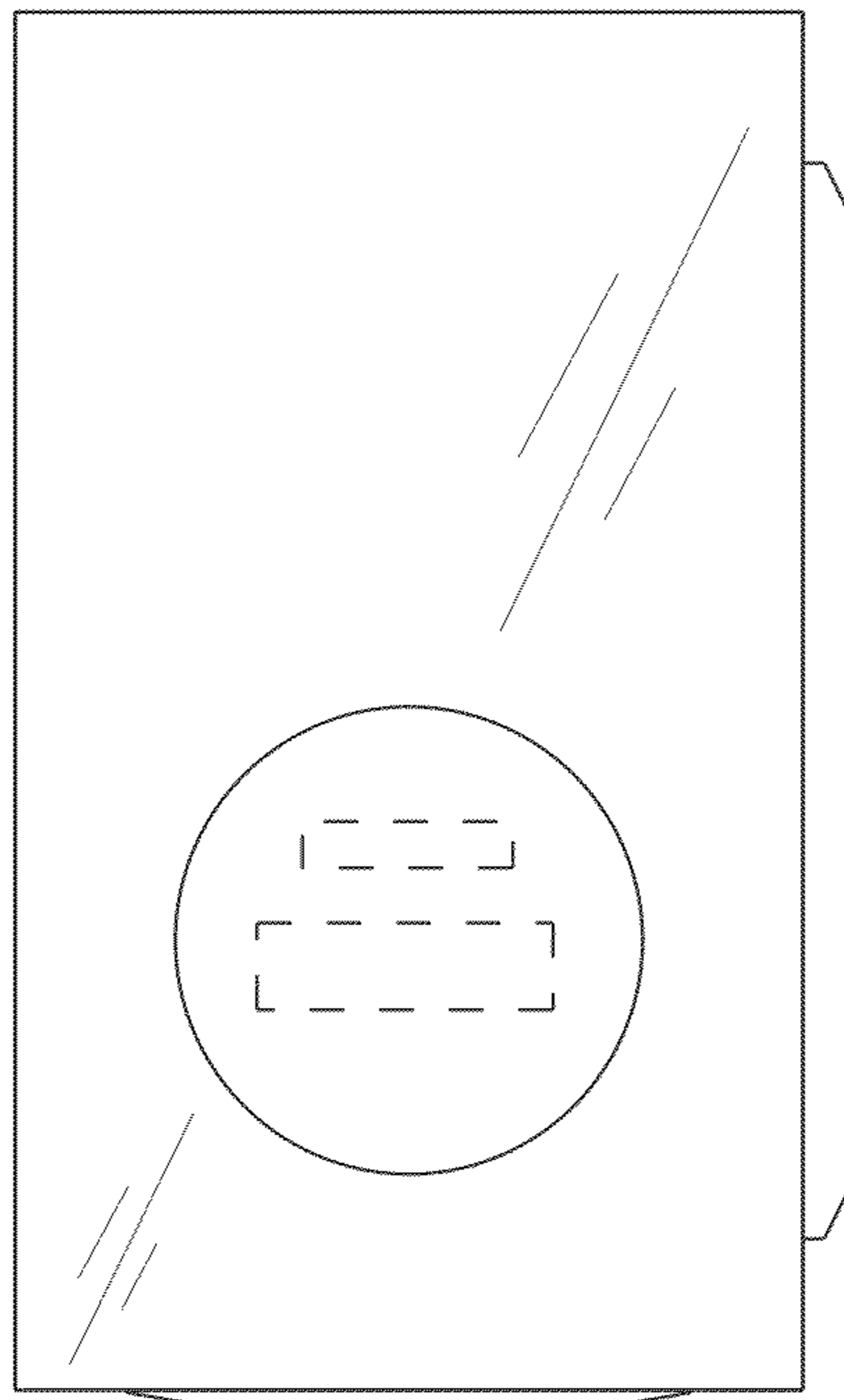


Fig 2

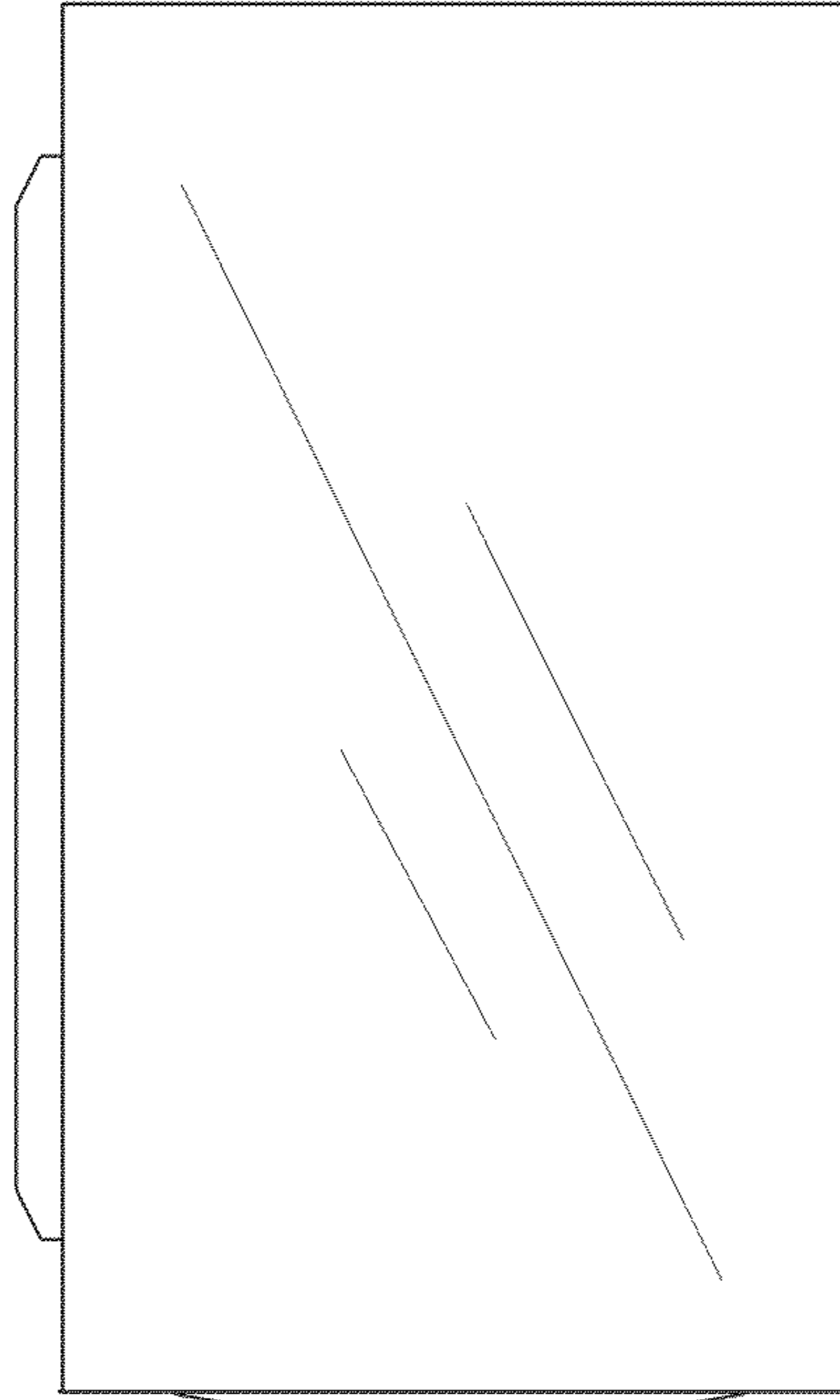


Fig 3

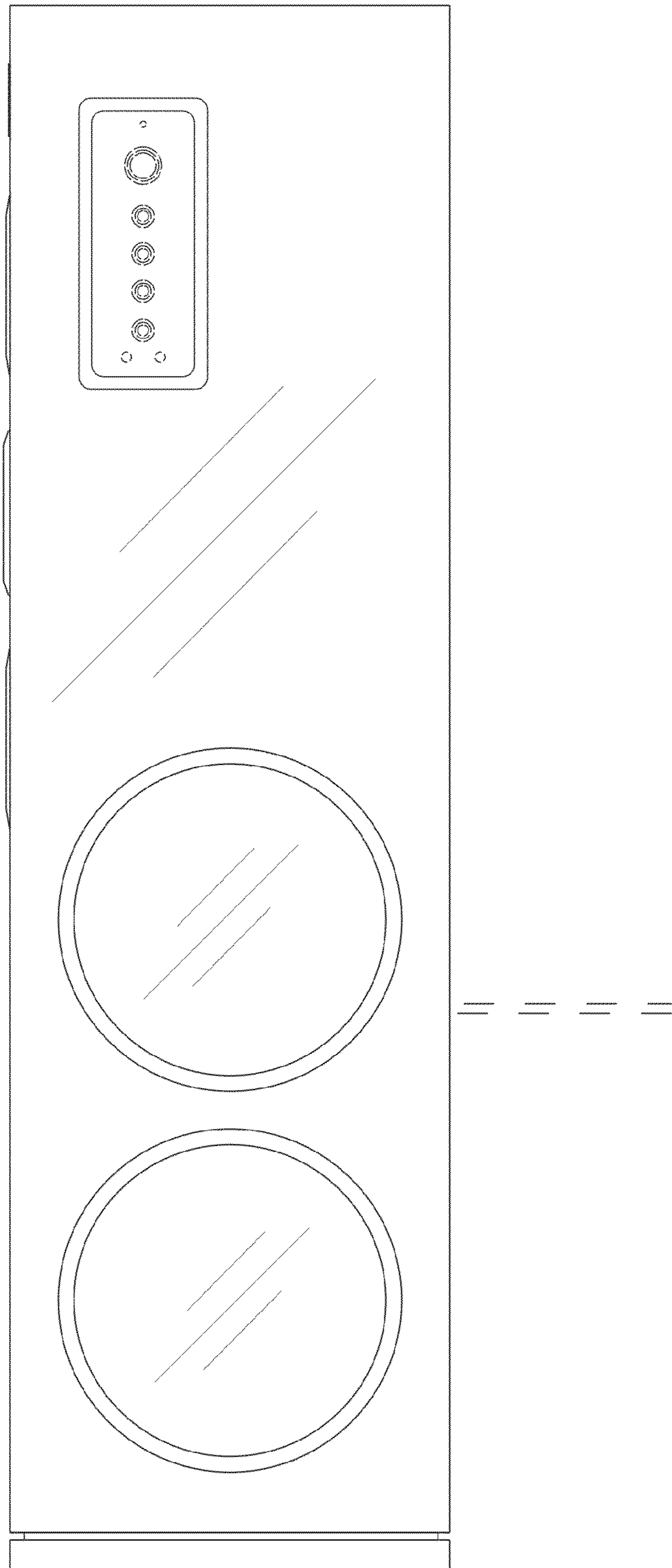


Fig 4

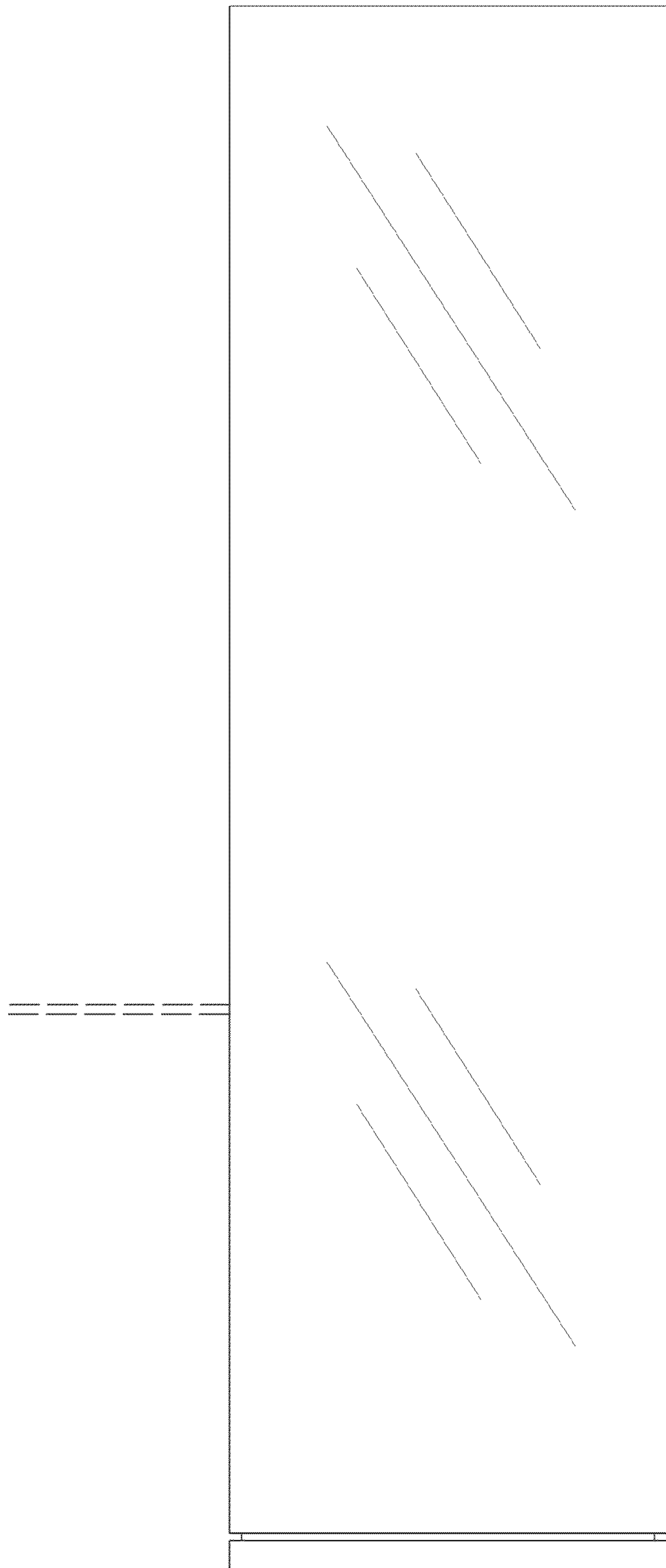


Fig 5

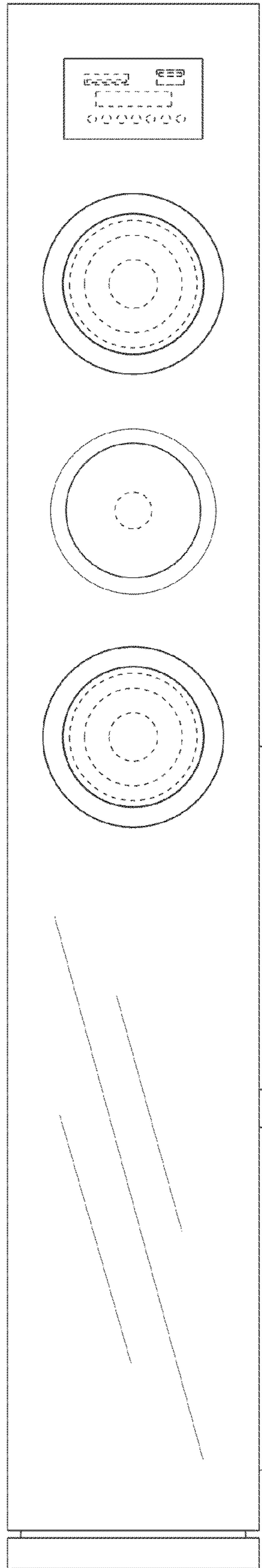


Fig 6

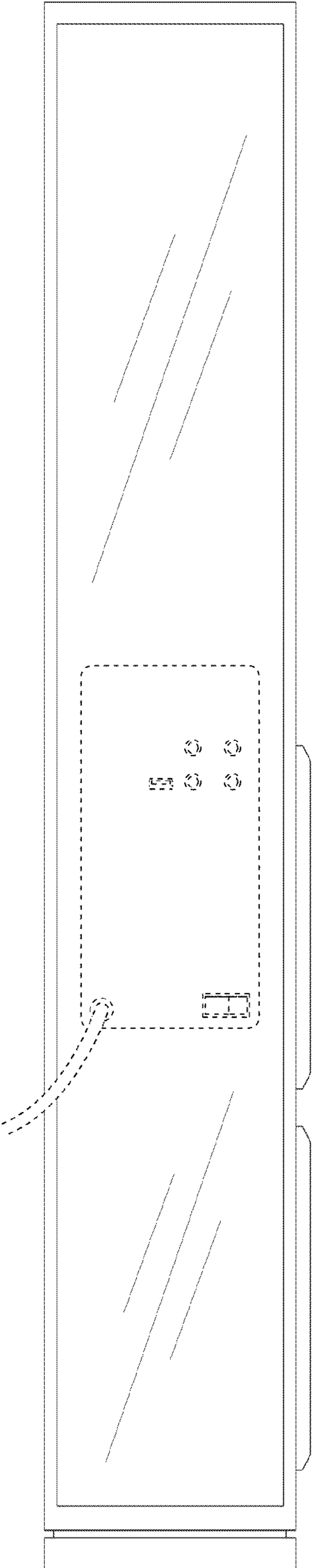


Fig 7