



US00D736179S

(12) **United States Design Patent**
Speck et al.

(10) **Patent No.:** **US D736,179 S**
(45) **Date of Patent:** **** Aug. 11, 2015**

(54) **SPEAKER**

(71) Applicants: **John Speck**, Providence, RI (US); **Geoff McKinnon**, Woonsocket, RI (US); **Steven Desrosiers**, Woonsocket, RI (US); **Nathan Butler**, Sterling, MA (US); **Jeffrey A. Rocha**, Paxton, MA (US)

(72) Inventors: **John Speck**, Providence, RI (US); **Geoff McKinnon**, Woonsocket, RI (US); **Steven Desrosiers**, Woonsocket, RI (US); **Nathan Butler**, Sterling, MA (US); **Jeffrey A. Rocha**, Paxton, MA (US)

(73) Assignee: **LOUD Technologies Inc**, Woodinville, WA (US)

(**) Term: **14 Years**

(21) Appl. No.: **29/499,724**

(22) Filed: **Aug. 18, 2014**

Related U.S. Application Data

(63) Continuation of application No. 29/446,128, filed on Feb. 20, 2013, now Pat. No. Des. 711,350.

(51) **LOC (10) Cl.** **14-03**

(52) **U.S. Cl.**
USPC **D14/210**

(58) **Field of Classification Search**
USPC D14/167, 168, 170–172, 188, 194–196, D14/204, 207, 209.1, 210–216, 219, 221, D14/222, 224, 496; 181/143, 144, 147, 148, 181/150, 153, 157, 198, 199; 381/300–303, 381/306, 332, 333, 336, 345, 361–364, 381/386–388; 369/6–12
CPC B60R 11/0217; G06F 1/1688; H04M 1/03; H04M 1/035; H04R 1/02; H04R 1/06; H04R 1/021; H04R 1/025; H04R 1/026; H04R

1/028; H04R 1/105; H04R 1/323; H04R 1/403; H04R 1/2803; H04R 1/2834; H04R 5/02; H04R 7/20; H04R 9/06; H04R 9/025; H04R 2201/021; H04R 2400/00; H04R 2400/07; H04R 2499/11; H04R 2499/13; H04R 2499/15; H04S 3/00; H04S 7/30
See application file for complete search history.

(56) **References Cited**

U.S. PATENT DOCUMENTS

D432,518 S	*	10/2000	Muto	D14/172
D500,025 S		12/2004	Vincenot		
D500,306 S		12/2004	Noselli		
D636,188 S	*	4/2011	Kim et al.	D6/308
D639,568 S	*	6/2011	Lee et al.	D6/308
D654,906 S		2/2012	Warden		

(Continued)

Primary Examiner — Keli L Hill

(74) *Attorney, Agent, or Firm* — Christensen O'Connor Johnson Kindness PLLC

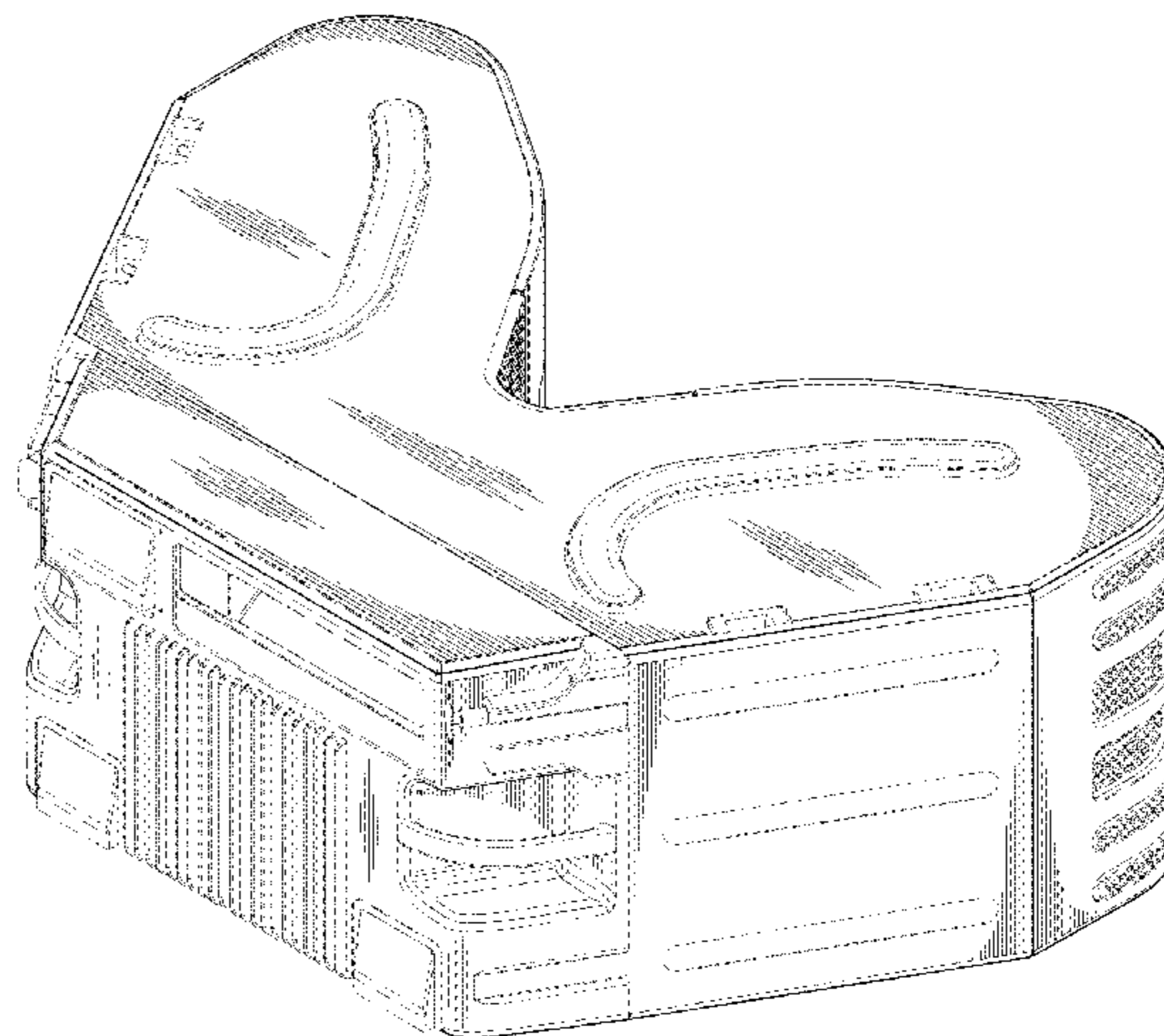
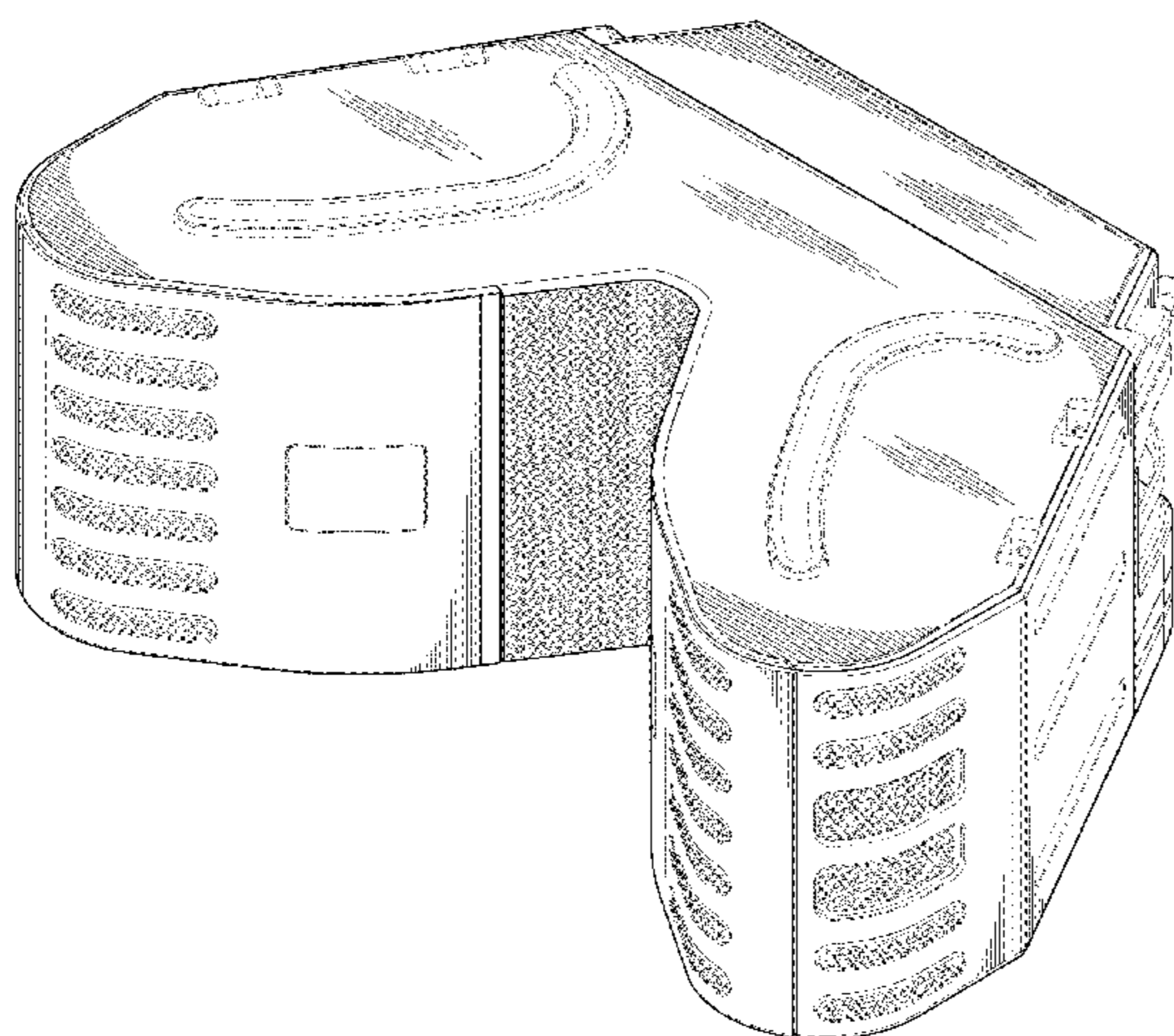
(57) **CLAIM**

The ornamental design for a speaker, as shown and described.

DESCRIPTION

FIG. 1 is a front perspective view of the design of the present application;
FIG. 2 is a rear perspective view of the design of FIG. 1;
FIG. 3 is a top view of the design of FIG. 1;
FIG. 4 is a bottom view of the design of FIG. 1;
FIG. 5 is a front elevation view of the design of FIG. 1;
FIG. 6 is a rear elevation view of the design of FIG. 1;
FIG. 7 is a side elevational view of the design of FIG. 1; and,
FIG. 8 is a side elevational view of the design of FIG. 1, taken from the opposite side of the design relative to FIG. 7.
The broken lines shown in FIGS. 1-8 illustrate environmental subject matter and form no part of the claimed design.

1 Claim, 8 Drawing Sheets



US D736,179 S

Page 2

(56)

References Cited

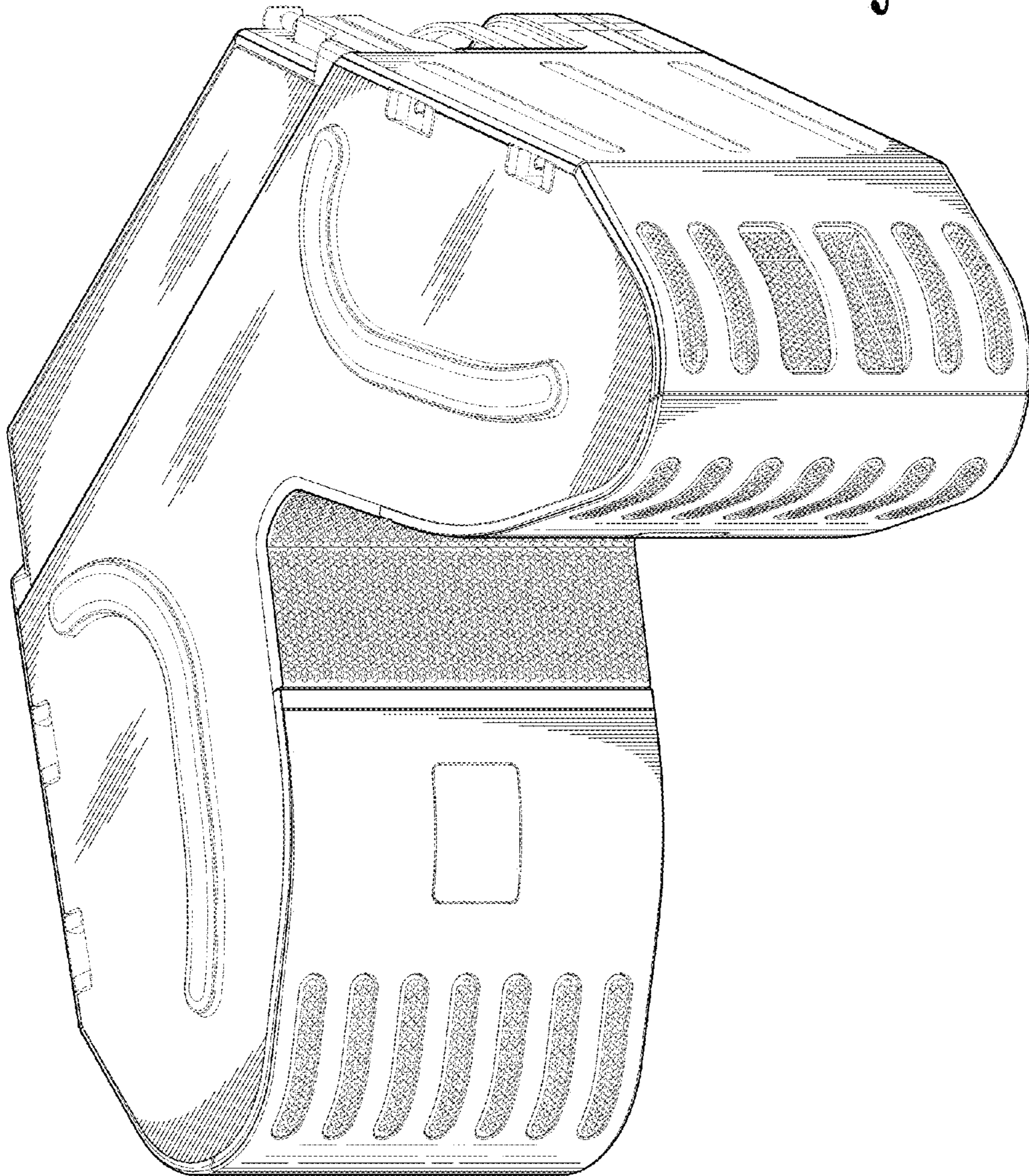
U.S. PATENT DOCUMENTS

D676,430 S * 2/2013 Blaser D14/239
D684,557 S 6/2013 Warden
D687,814 S 8/2013 Lum

D692,863 S 11/2013 Givre
D707,204 S * 6/2014 Fujiwara et al. D14/221
D719,744 S * 12/2014 Plumbo et al. D6/300
D721,893 S * 2/2015 Gorham D6/300

* cited by examiner

Fig. 1.



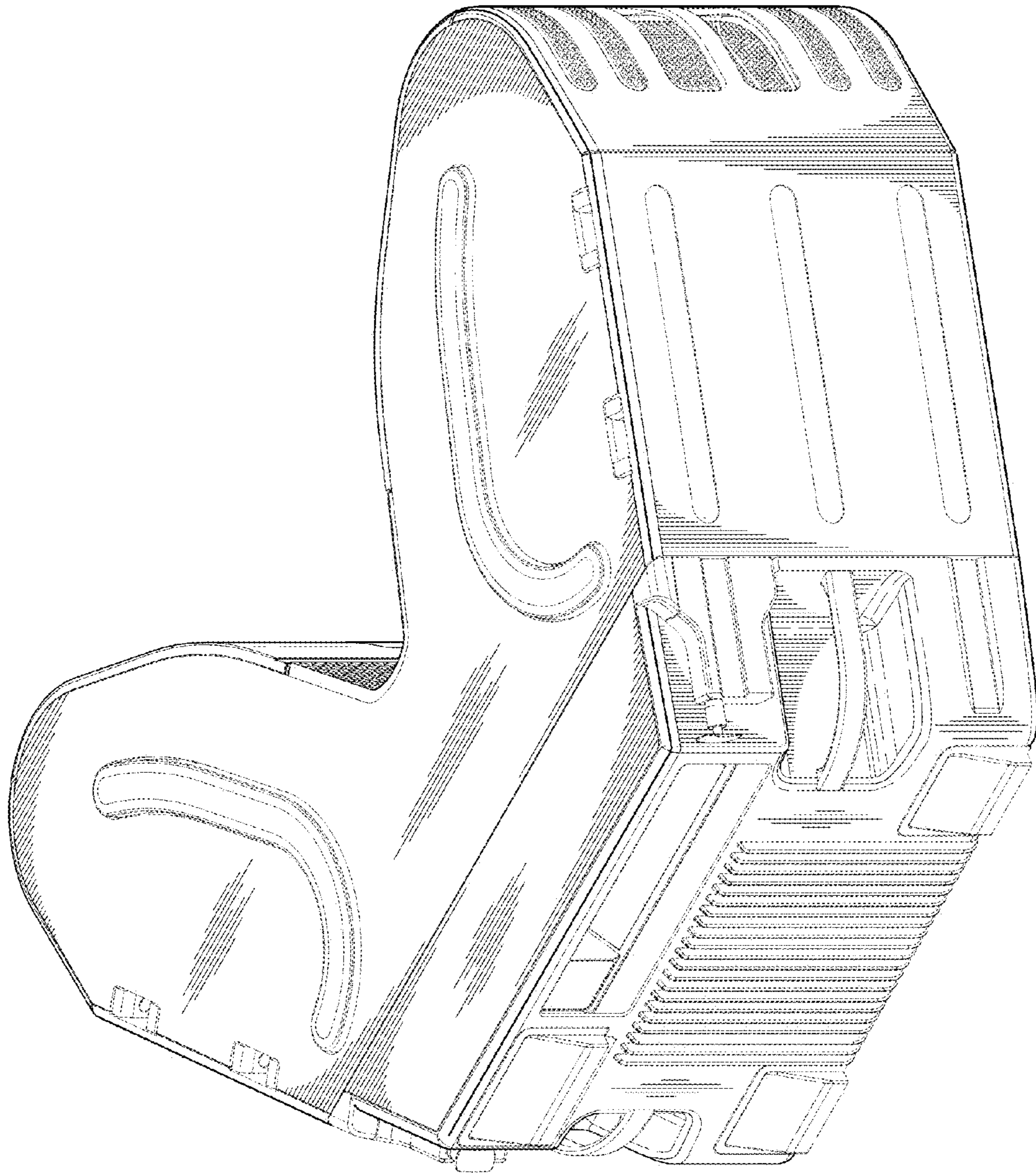


Fig. 2.

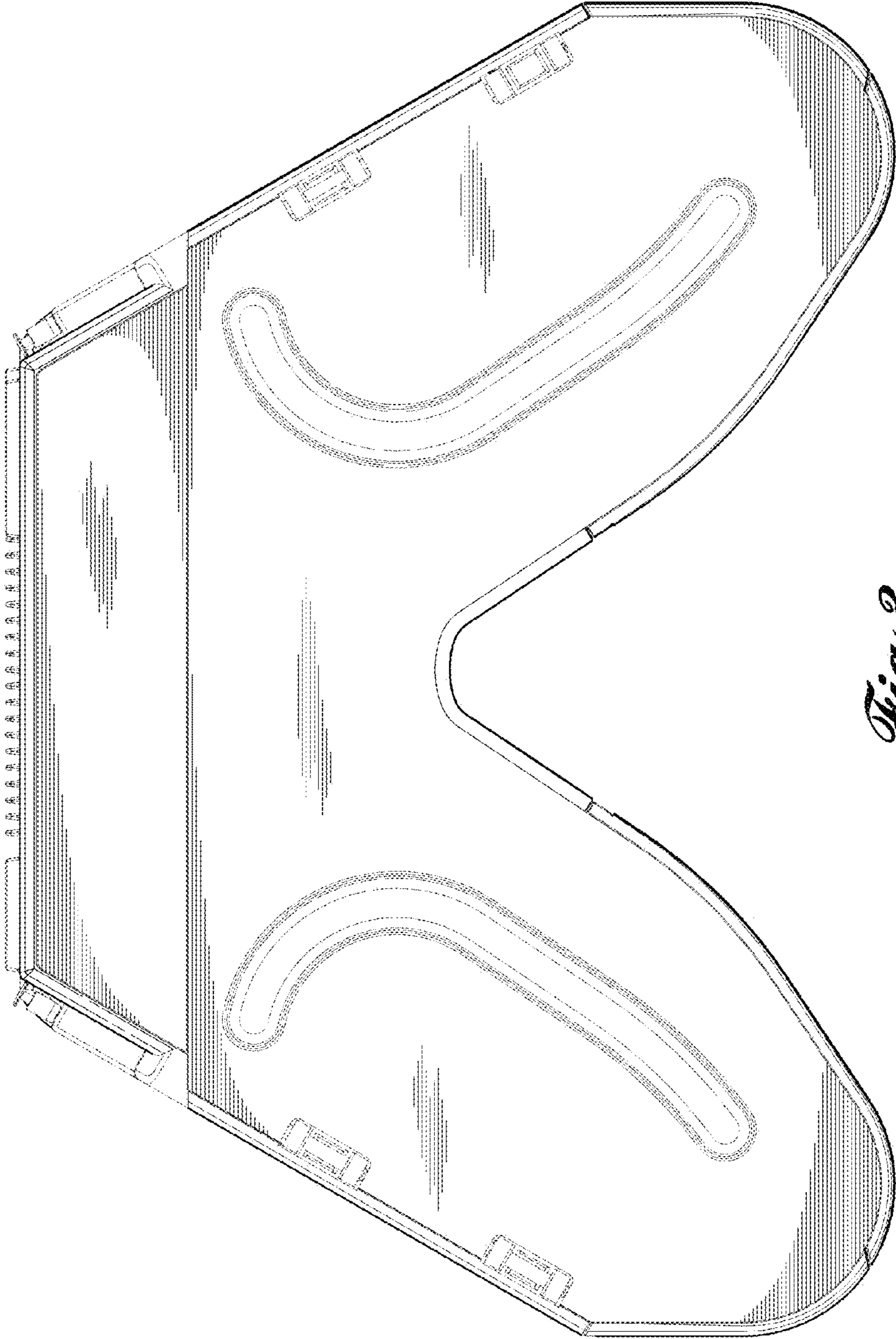


Fig. 3.

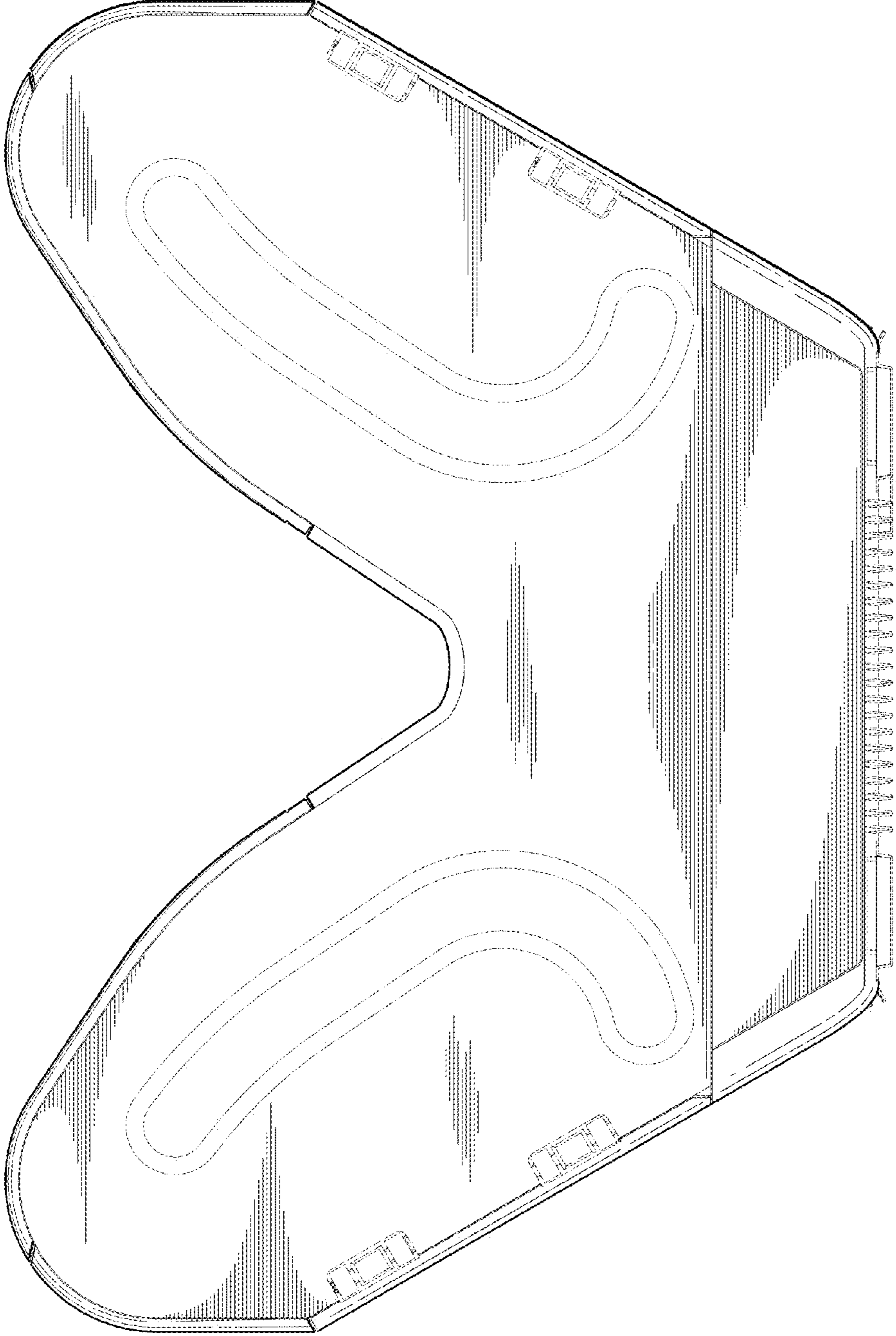


Fig. 4.

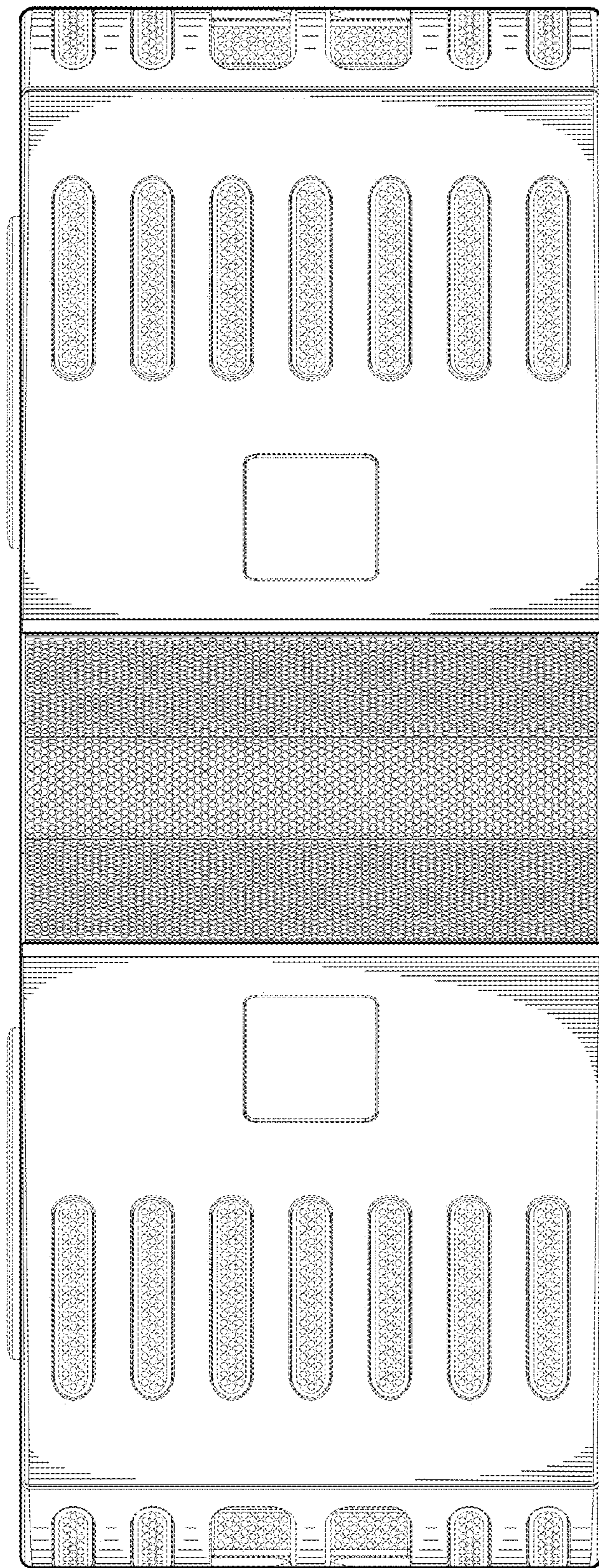


Fig. 5.

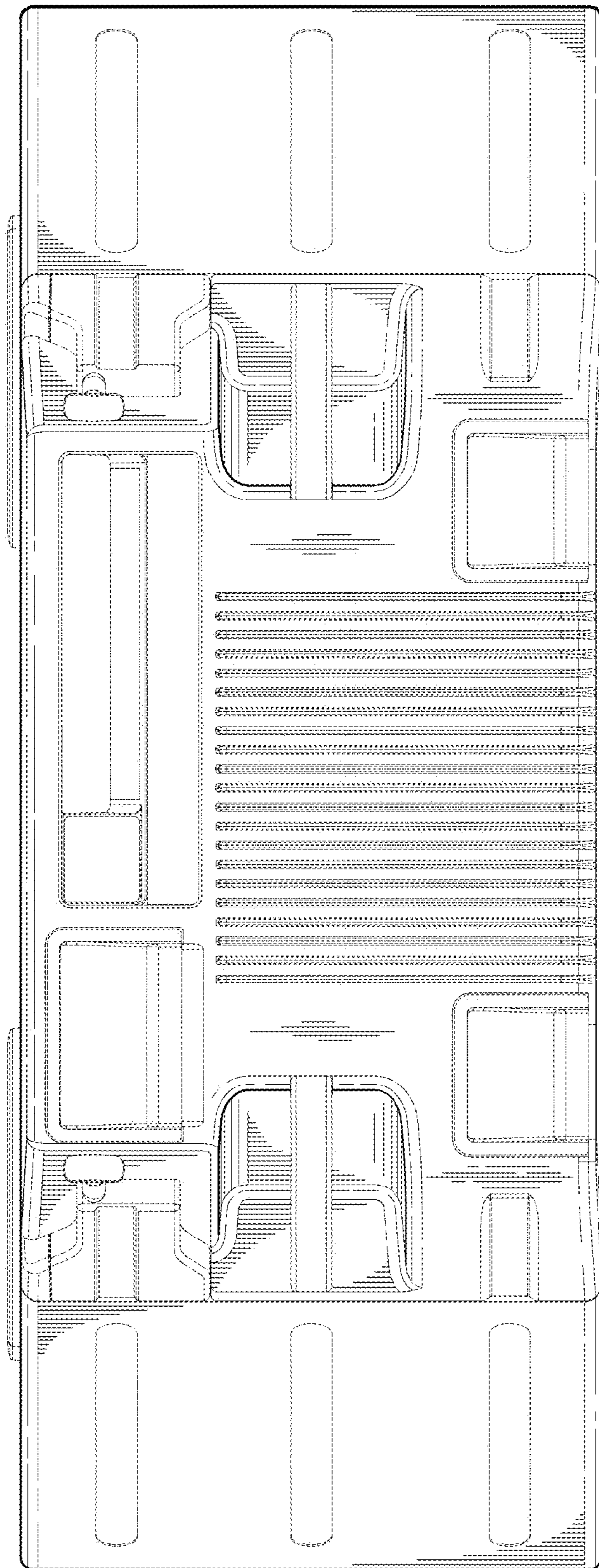


Fig. 6.

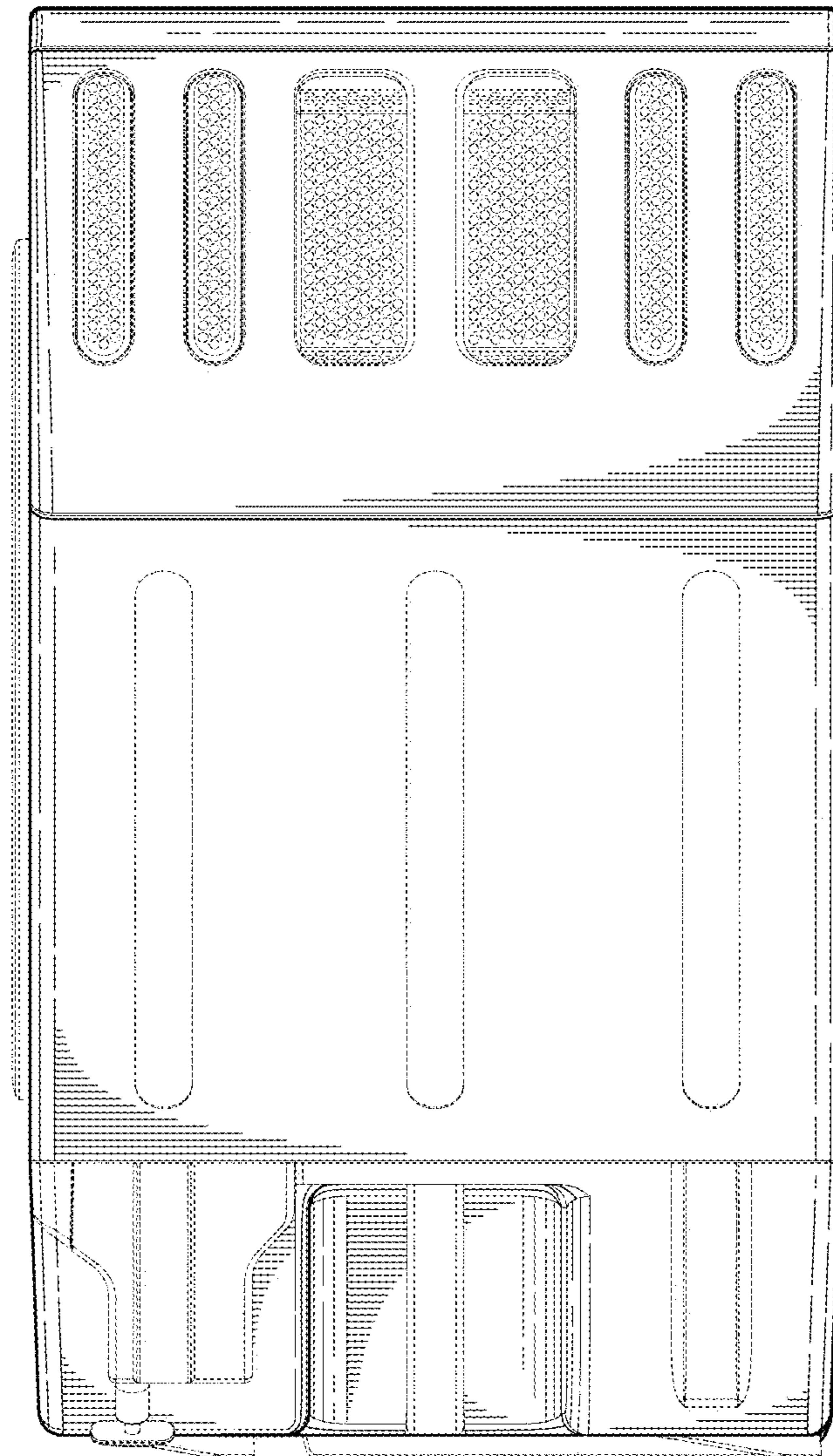


Fig. 7.

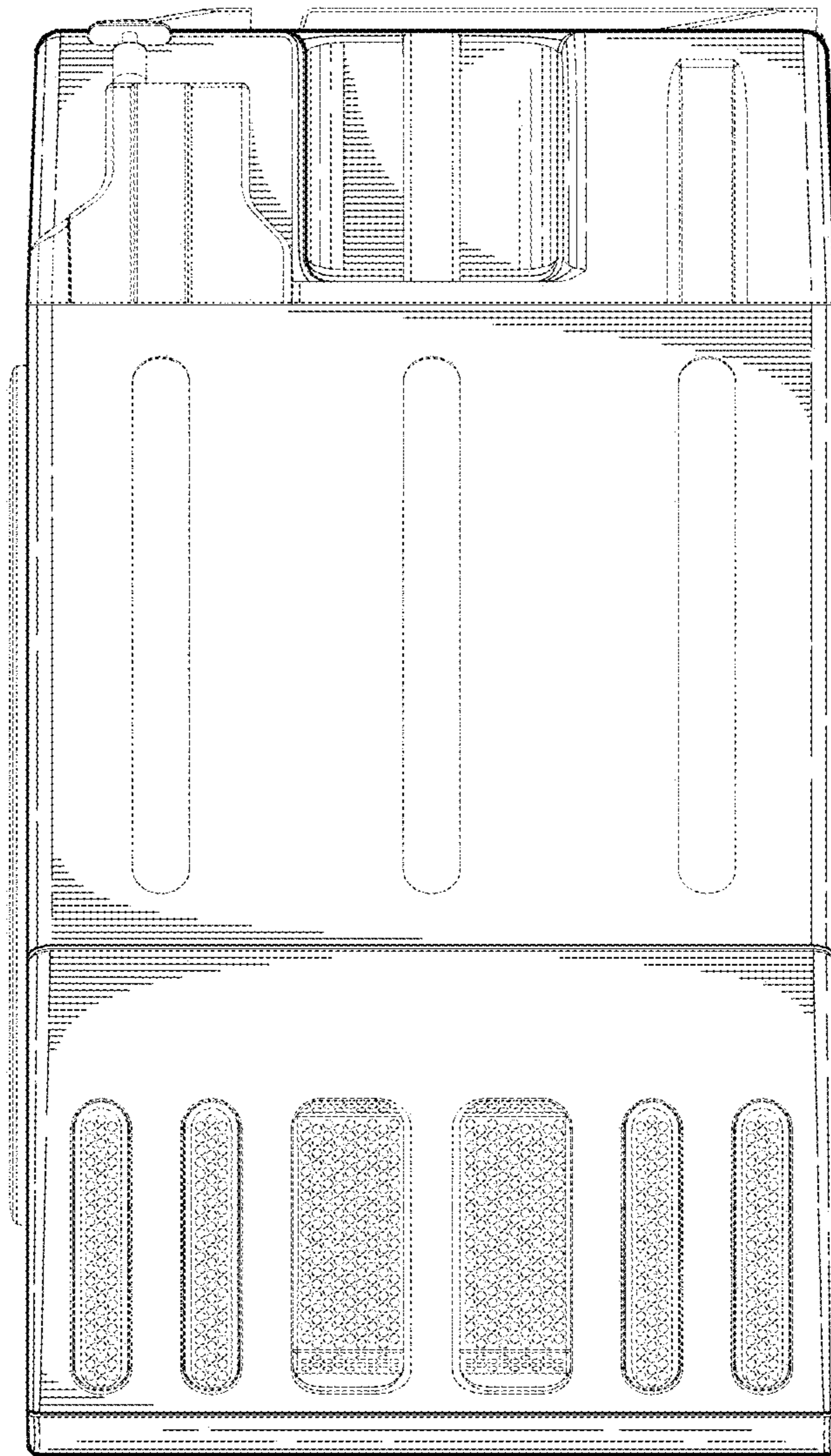


Fig. 8.