



US00D736177S

(12) **United States Design Patent**
Winters et al.

(10) **Patent No.:** **US D736,177 S**

(45) **Date of Patent:** **** Aug. 11, 2015**

(54) **HELMET MOUNTED HEADSET**

(71) Applicant: **Artisent, LLC**, Simpson, PA (US)

(72) Inventors: **Nathan E. Winters**, Merrimack, NH (US); **Michael D. Aaskov**, Ketchum, ID (US); **Jason W. O'Connell**, Whitman, MA (US); **David C. Rogers**, Boston, MA (US)

(73) Assignee: **ARTISENT, LLC**, Simpson, PA (US)

(**) Term: **14 Years**

(21) Appl. No.: **29/479,333**

(22) Filed: **Jan. 14, 2014**

(51) **LOC (10) Cl.** **14-01**

(52) **U.S. Cl.**
USPC **D14/206**; D14/192

(58) **Field of Classification Search**
USPC D14/188, 192, 205–206, 223;
181/128–129; 379/430–431; 381/370;
455/90.3, 575.1, 575.6, 575.7
CPC H04M 1/05
See application file for complete search history.

(56) **References Cited**

U.S. PATENT DOCUMENTS

D456,384 S *	4/2002	Ng	D14/192
D498,743 S *	11/2004	Robinson	D14/188
D504,883 S *	5/2005	Jacobson et al.	D14/192
6,898,448 B2 *	5/2005	Liao	455/575.6
6,904,147 B2 *	6/2005	Lenz et al.	379/430
6,922,473 B2 *	7/2005	Turnbull	381/74
D512,410 S *	12/2005	Ng	D14/192
7,242,765 B2 *	7/2007	Hairston	379/430
D597,072 S *	7/2009	Asai	D14/206
D612,835 S *	3/2010	Yang et al.	D14/206
D635,962 S *	4/2011	Kelley	D14/223
D659,118 S *	5/2012	Watters et al.	D14/206
D667,815 S *	9/2012	Chiu et al.	D14/206
D672,746 S *	12/2012	Birger	D14/206

D684,145 S *	6/2013	Rath	D14/206
D691,113 S *	10/2013	Gougherty et al.	D14/206
2011/0314594 A1	12/2011	Rogers et al.		

OTHER PUBLICATIONS

Hi-Threat Tactical Headset catalog, copyright 2013. p. 3, Under helmet Hi-Threat w/ ops-core helmet. Teaheadsets.com.*
Mohawk boltless helmet headset, dated Oct. 15, 2012. www.gearscout.militarytimes.com/2012/10/15/mohawk-boltless-helmet-geta-a-built-in-headset/*

(Continued)

Primary Examiner — Sandra Morris

(74) *Attorney, Agent, or Firm* — Morgan, Lewis & Bockius LLP

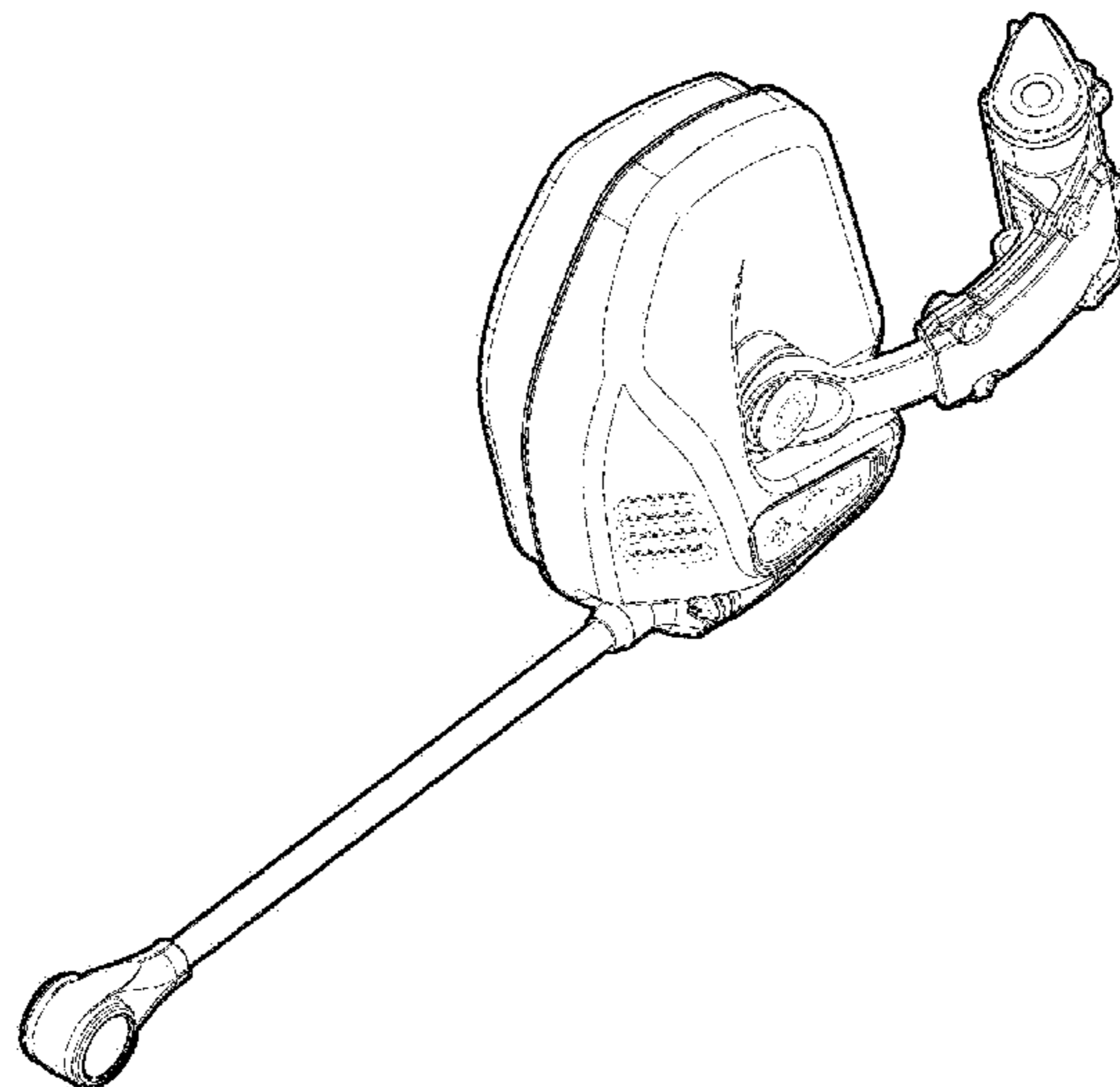
(57) **CLAIM**

The ornamental design for a helmet mounted headset, as shown and described.

DESCRIPTION

FIG. 1 is a front perspective view of a helmet mounted headset in accordance with our new design;
FIG. 2 is a left-side elevational view of the helmet mounted headset shown in FIG. 1;
FIG. 3 is a right-side elevational view of the helmet mounted headset shown in FIG. 1;
FIG. 4 is a front elevational view of the helmet mounted headset shown in FIG. 1;
FIG. 5 is a rear elevational view of the helmet mounted headset shown in FIG. 1;
FIG. 6 is a bottom plan view of the helmet mounted headset shown in FIG. 1; and,
FIG. 7 is a top plan view of the helmet mounted headset shown in FIG. 1.
The broken lines shown in the drawings represent portions of the helmet mounted headset that form no part of the claimed design.

1 Claim, 7 Drawing Sheets



(56)

References Cited

OTHER PUBLICATIONS

Ops-Core 2012 Product Catalog; www.ops-core.com; Boston, MA,
US; 44 pages.; disclosed on or before Dec. 31, 2012.

Ops-Core 2013 Product Catalog; www.ops-core.com; Boston, MA,
US; 44 pages; first disclosed on Jan. 14, 2013.

* cited by examiner

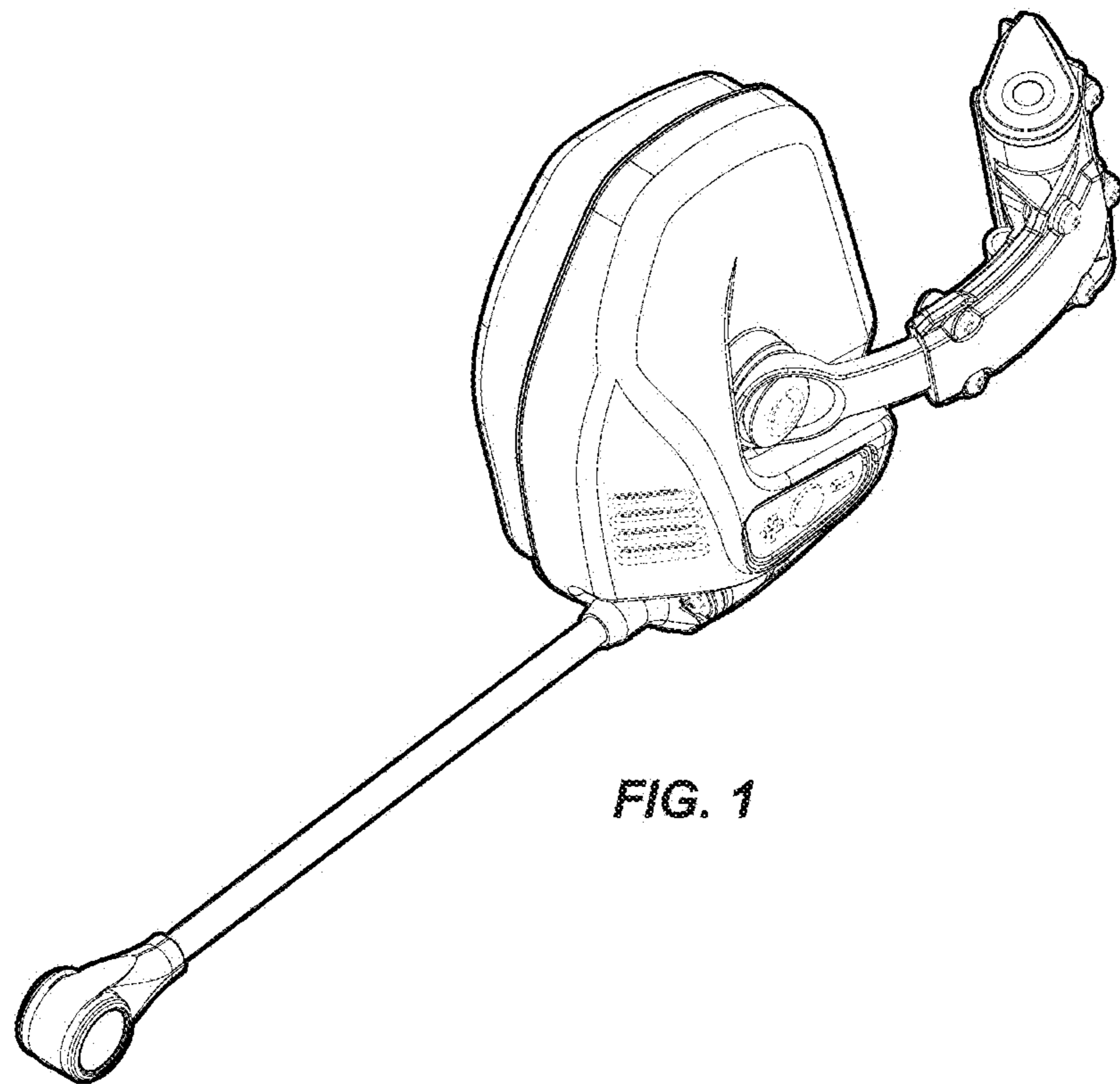


FIG. 1

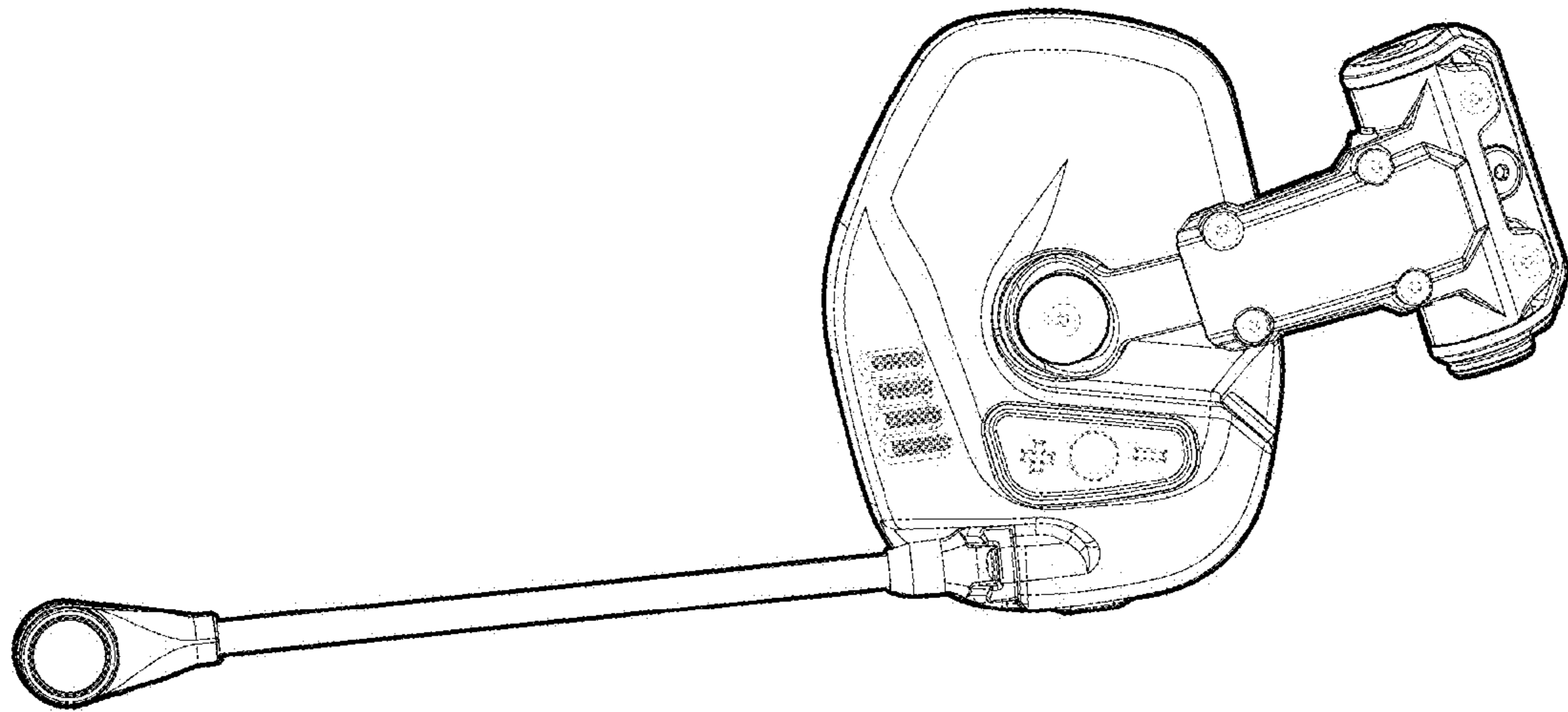


FIG. 2

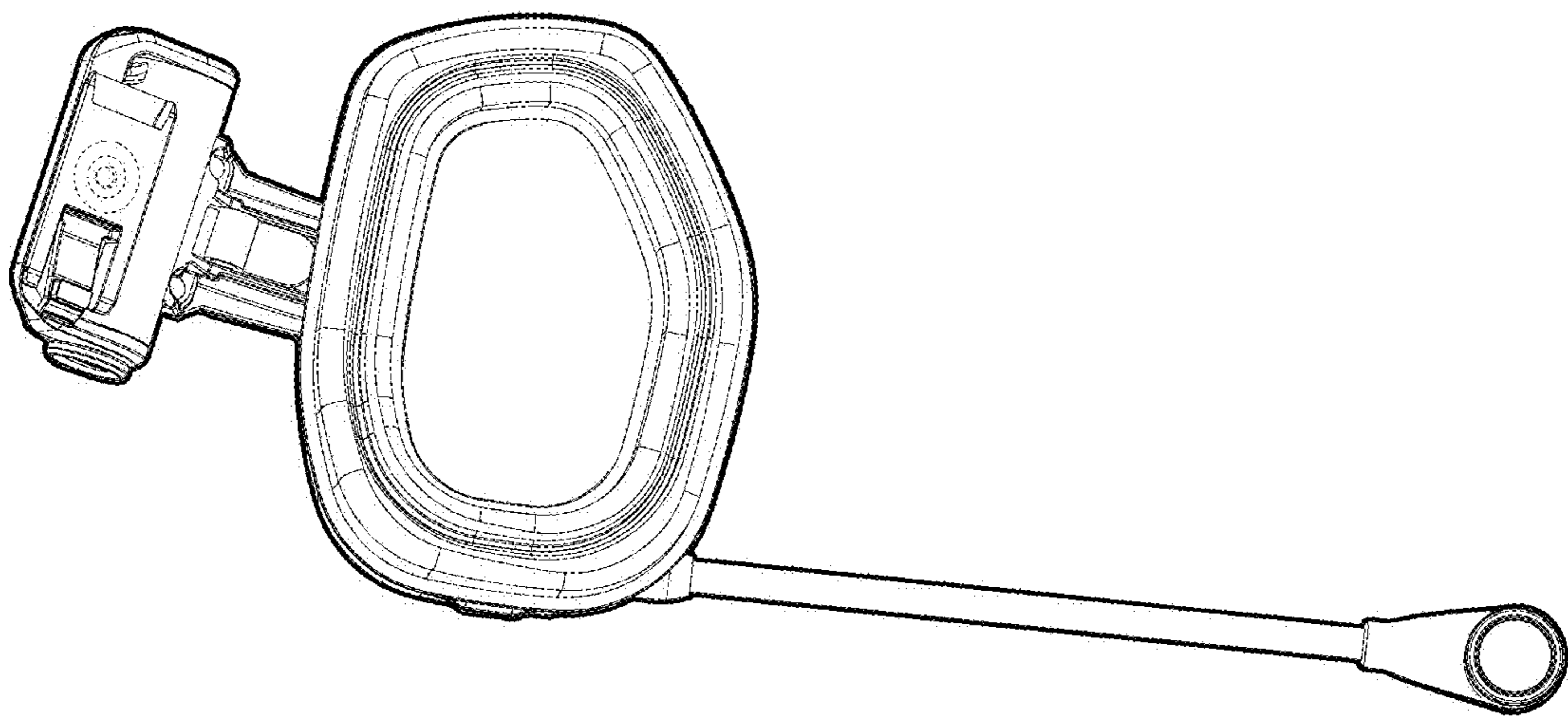


FIG. 3

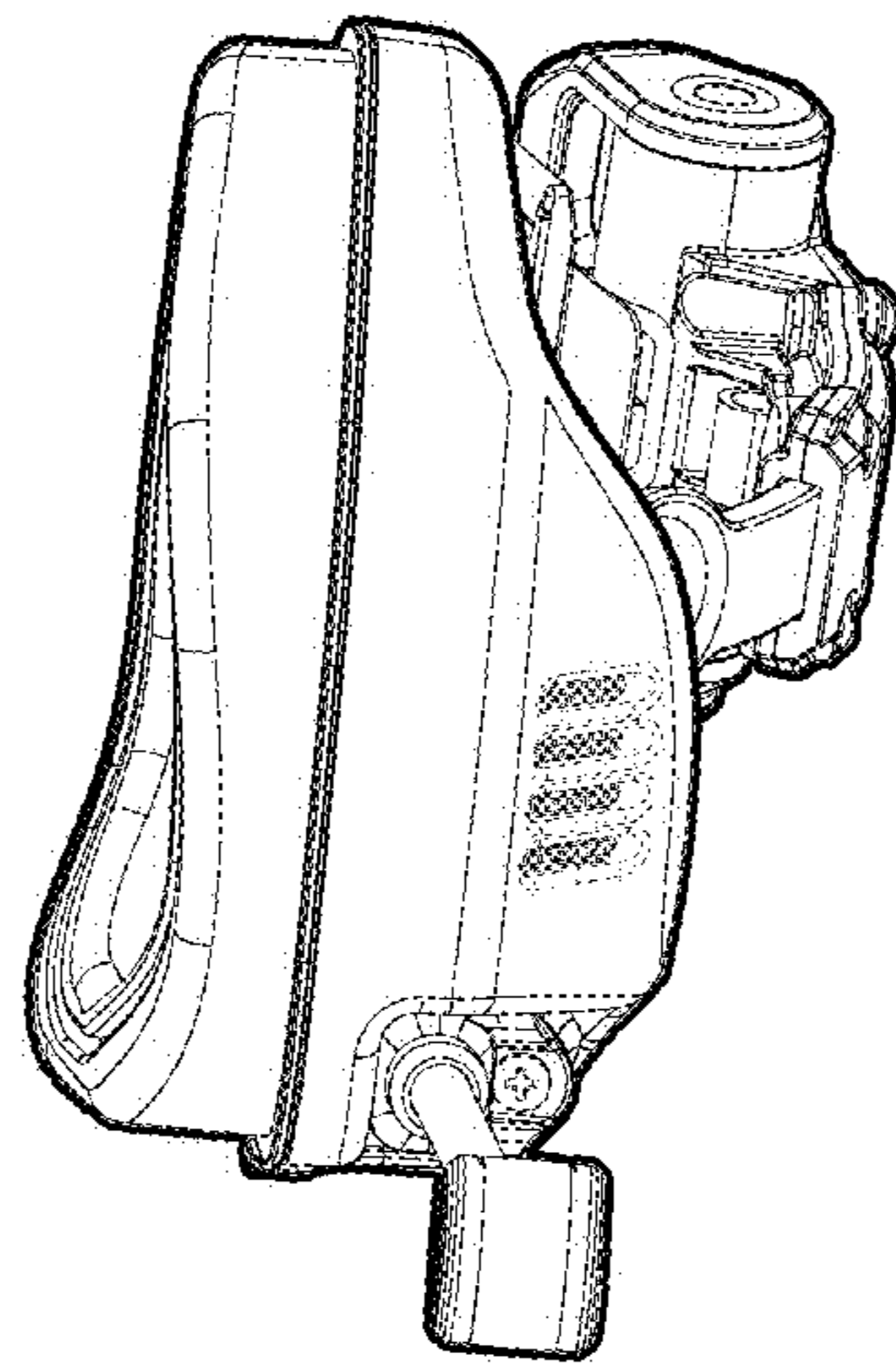


FIG. 4

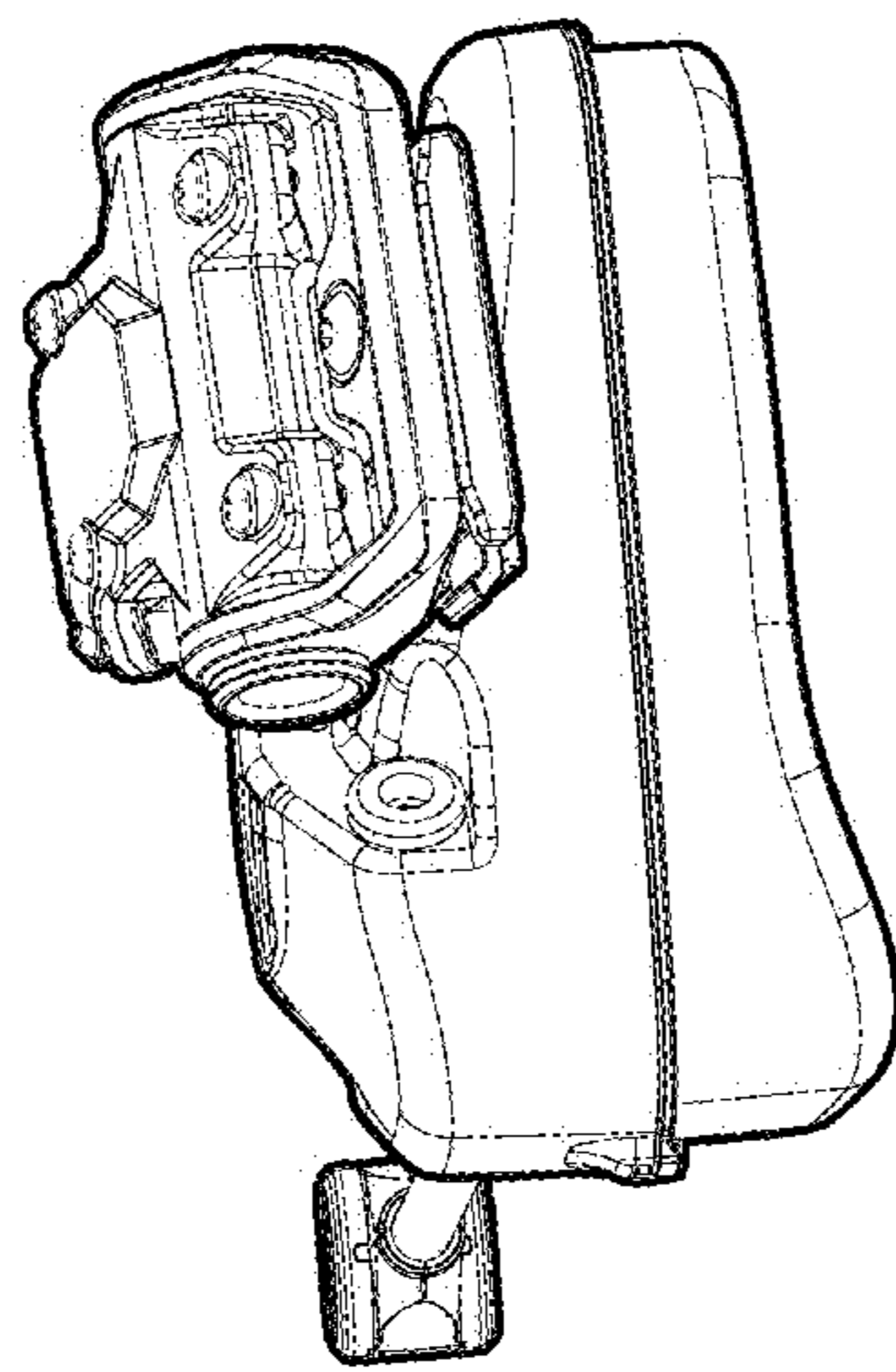


FIG. 5

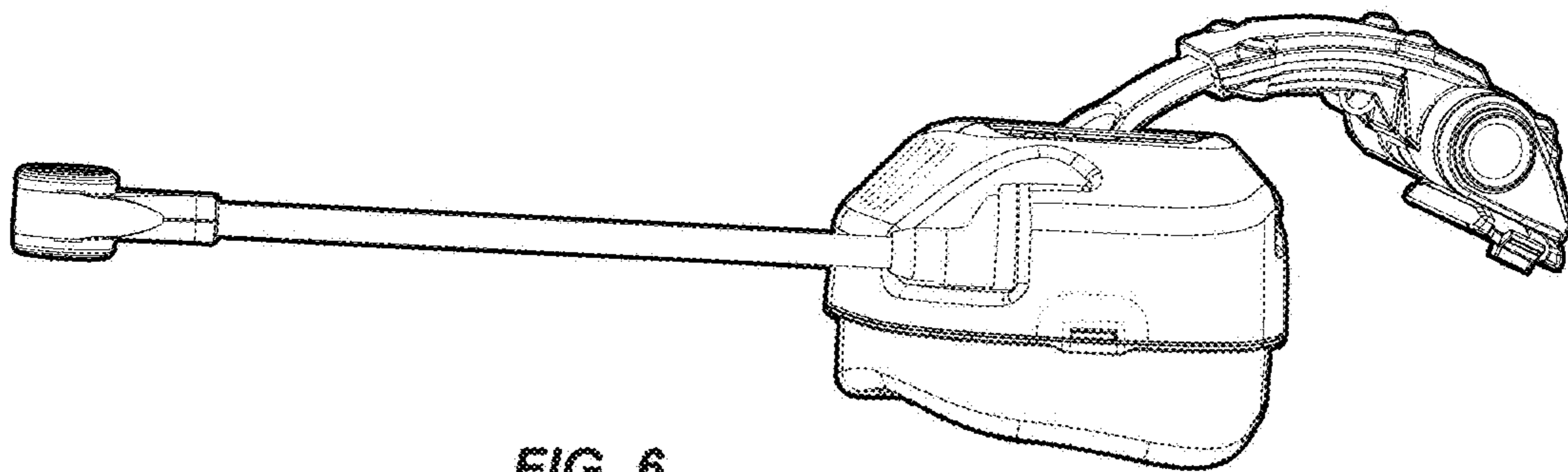


FIG. 6

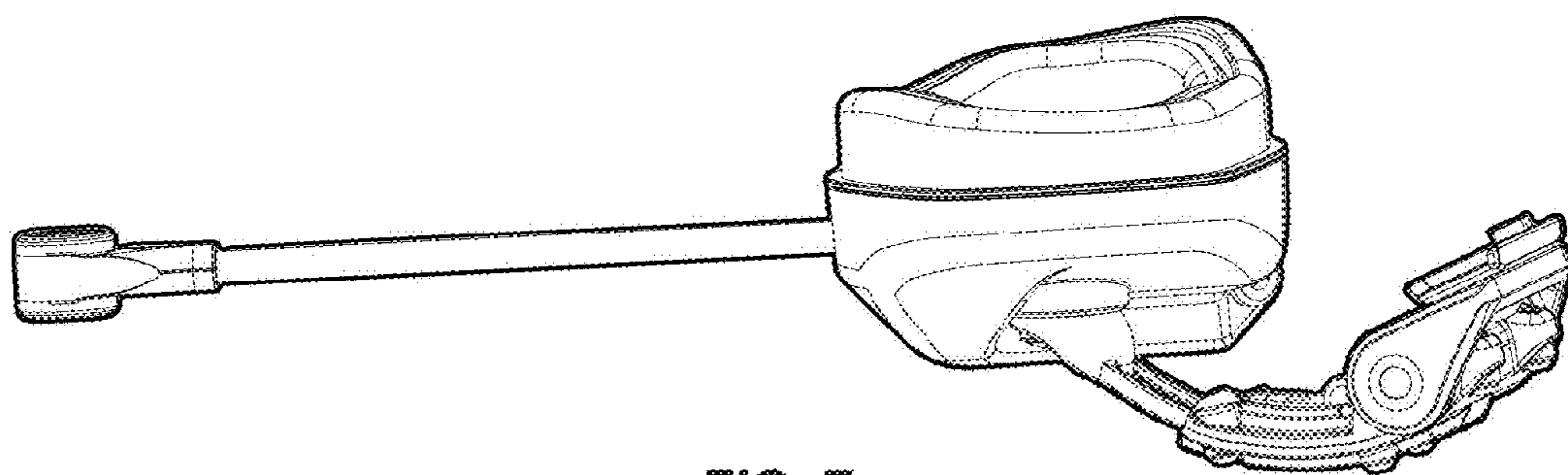


FIG. 7