



US00D736176S

(12) **United States Design Patent**
Rapitsch

(10) **Patent No.:** **US D736,176 S**

(45) **Date of Patent:** **** Aug. 11, 2015**

(54) **HEADPHONES**

(71) Applicant: **AKG Acoustics GmbH**, Vienna (AT)

(72) Inventor: **Dieter Rapitsch**, Wiener Neustadt (AT)

(73) Assignee: **AKG Acoustics GmbH**, Vienna (AT)

(**) Term: **14 Years**

(21) Appl. No.: **29/496,016**

(22) Filed: **Jul. 8, 2014**

(51) **LOC (10) Cl.** **14-01**

(52) **U.S. Cl.**
USPC **D14/205**

(58) **Field of Classification Search**
USPC D14/205, 372; D29/112; 181/129, 130,
181/135; 379/430, 431; 381/374, 380, 381;
455/90.3, 575.1; 2/209
CPC H04R 1/1066
See application file for complete search history.

7,412,070	B2 *	8/2008	Kleinschmidt et al.	381/374
D588,098	S *	3/2009	Kurihara	D14/205
7,766,120	B2 *	8/2010	Hansson et al.	181/129
D635,959	S *	4/2011	Hutchieson	D14/205
D657,345	S *	4/2012	Brunner et al.	D14/205
D660,824	S *	5/2012	Hardi et al.	D14/205
D689,463	S *	9/2013	Hardi et al.	D14/205
D696,226	S *	12/2013	Brunner et al.	D14/205
D702,210	S *	4/2014	Birger	D14/205
D704,163	S *	5/2014	Brunner et al.	D14/205
D707,200	S *	6/2014	Yang	D14/205
D713,817	S *	9/2014	Paterson et al.	D14/205
D716,759	S *	11/2014	Ha et al.	D14/205
D720,721	S *	1/2015	Lu	D14/205
D722,591	S *	2/2015	Son et al.	D14/205
D723,508	S *	3/2015	Garland et al.	D14/205
D723,509	S *	3/2015	Garland et al.	D14/205

* cited by examiner

Primary Examiner — Paula Greene

(74) *Attorney, Agent, or Firm* — Plumsea Law Group, LLC

(57) **CLAIM**

The ornamental design for headphones, as shown and described.

(56) **References Cited**

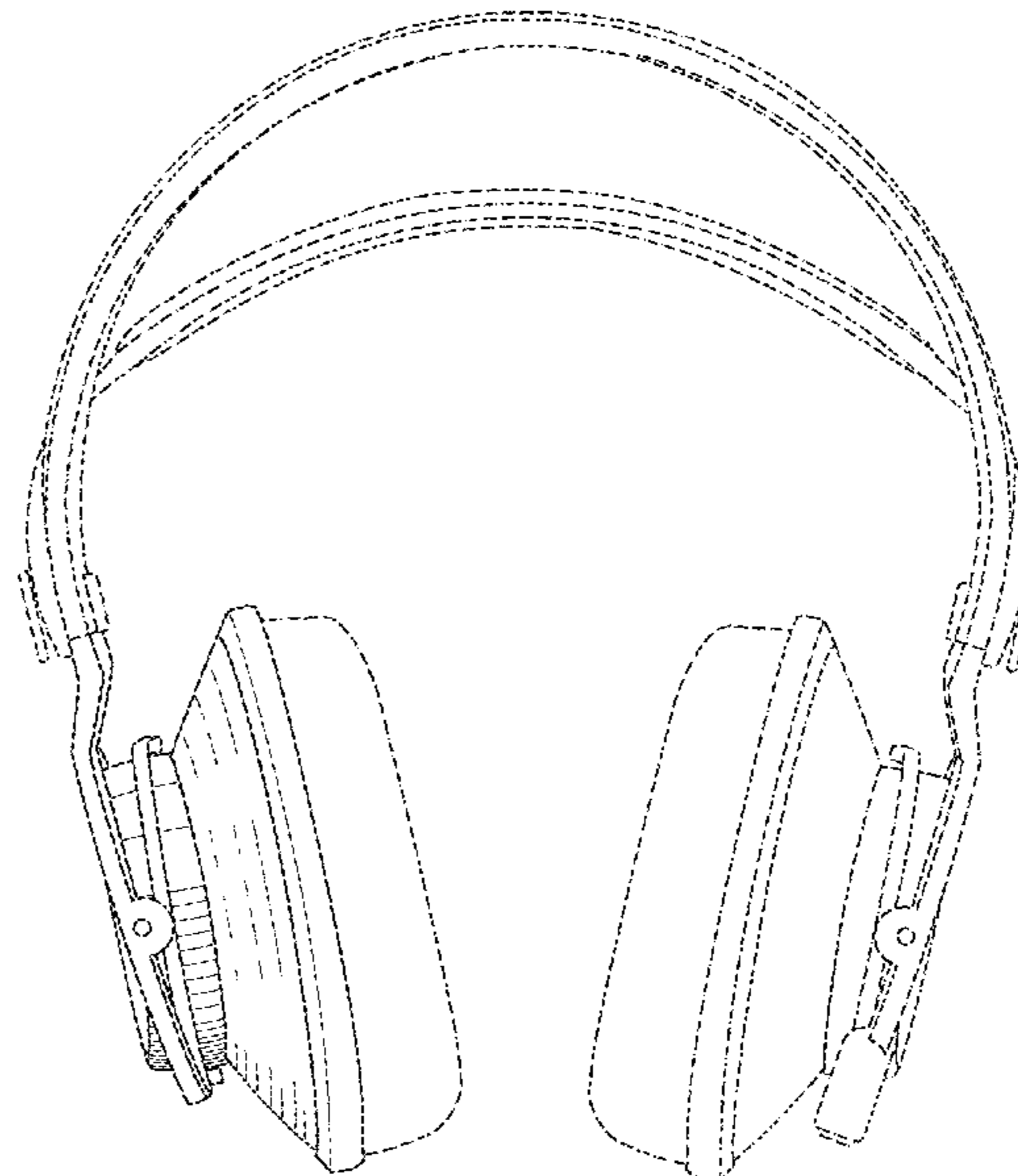
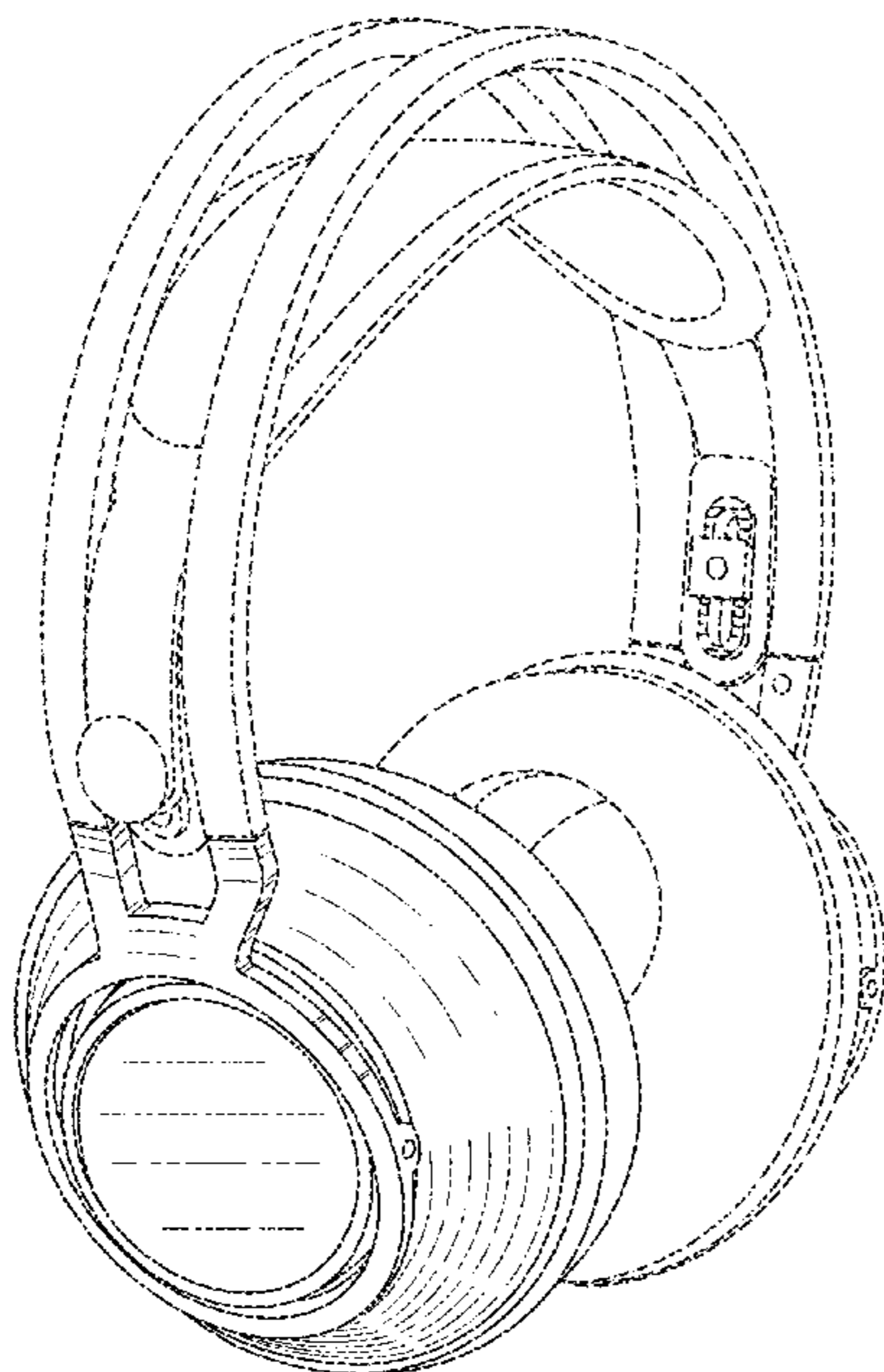
U.S. PATENT DOCUMENTS

2,149,341	A *	3/1939	Harrison	381/379
D229,833	S *	1/1974	Becker	D14/205
3,797,045	A *	3/1974	Aho	2/209
D244,300	S *	5/1977	Besasio	D14/205
D255,352	S *	6/1980	Besasio	D14/205
4,302,635	A *	11/1981	Jacobsen et al.	381/371
D328,461	S *	8/1992	Daido et al.	D14/205
D410,466	S *	6/1999	Mouri	D14/205
D435,249	S *	12/2000	Yasutomi	D14/205
D504,883	S *	5/2005	Jacobson et al.	D14/192
D518,474	S *	4/2006	Suzuki	D14/205

DESCRIPTION

FIG. 1 is a perspective view of headphones showing our new design;
FIG. 2 is another perspective view thereof shown from an interior viewpoint;
FIG. 3 is a front elevational view thereof;
FIG. 4 is a rear elevational view thereof;
FIG. 5 is a side elevational view thereof; and,
FIG. 6 is a bottom plan view thereof.
The broken line showings form no part of the claimed design.

1 Claim, 6 Drawing Sheets



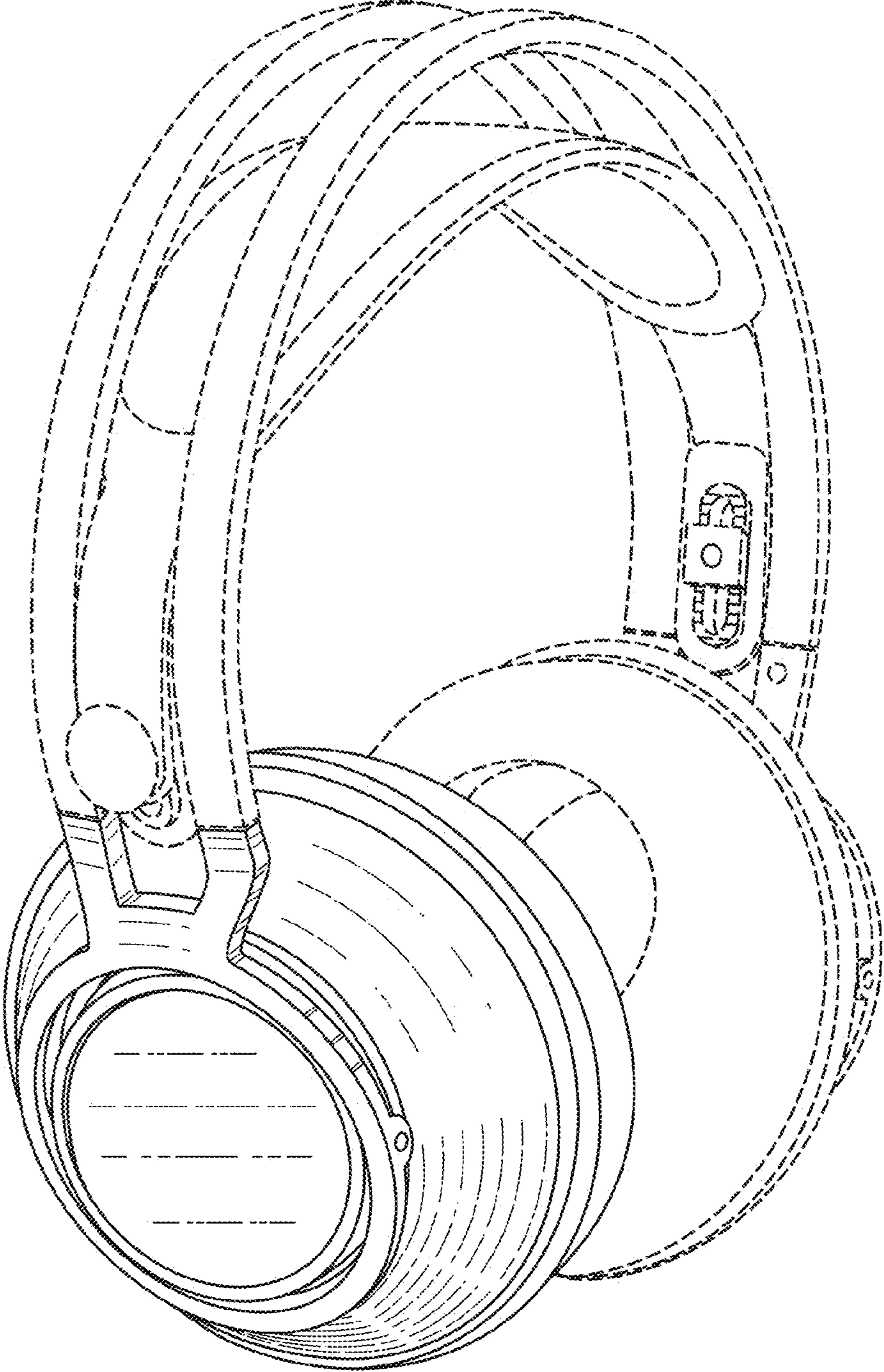


Fig. 1

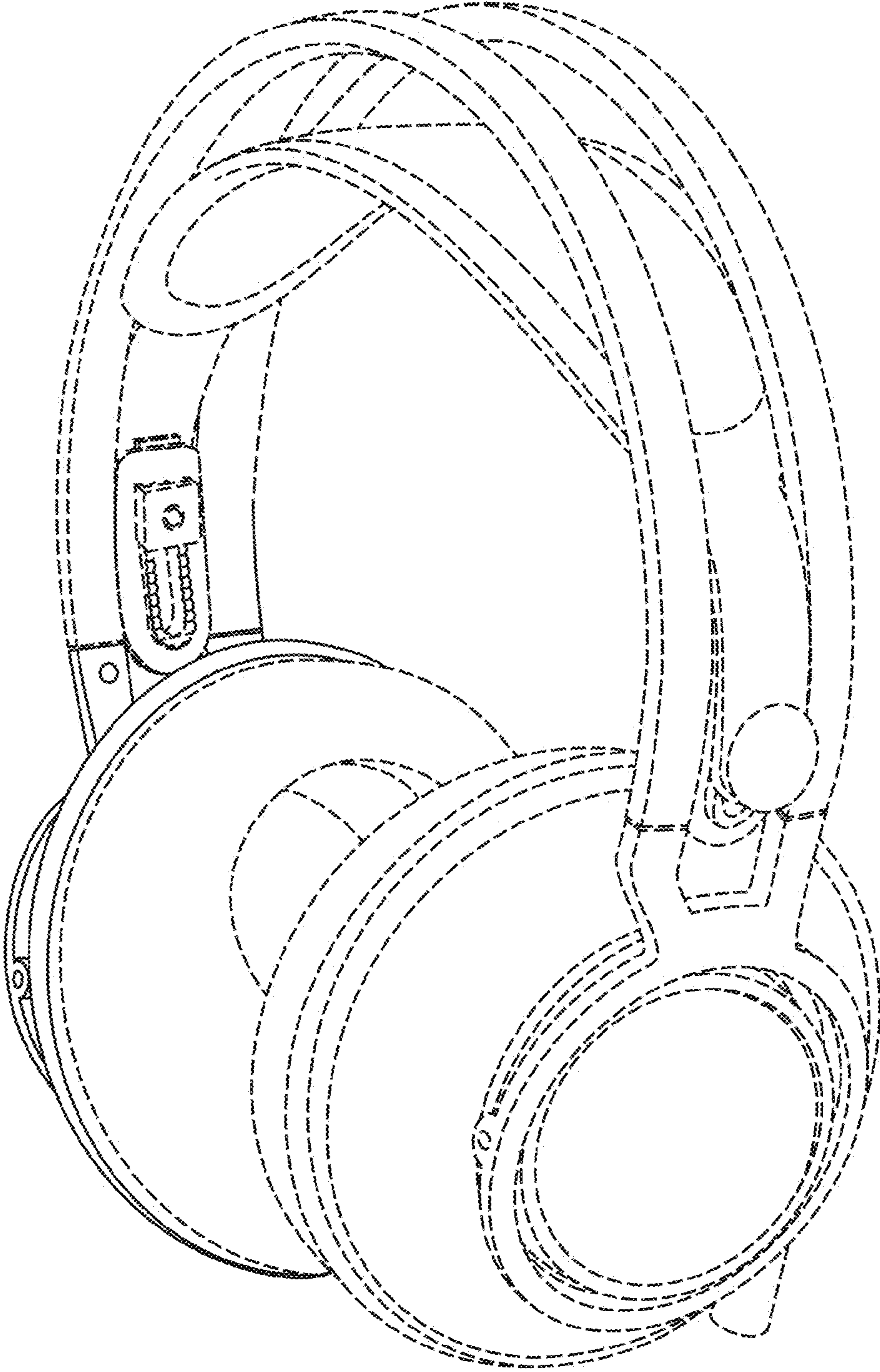


Fig. 2

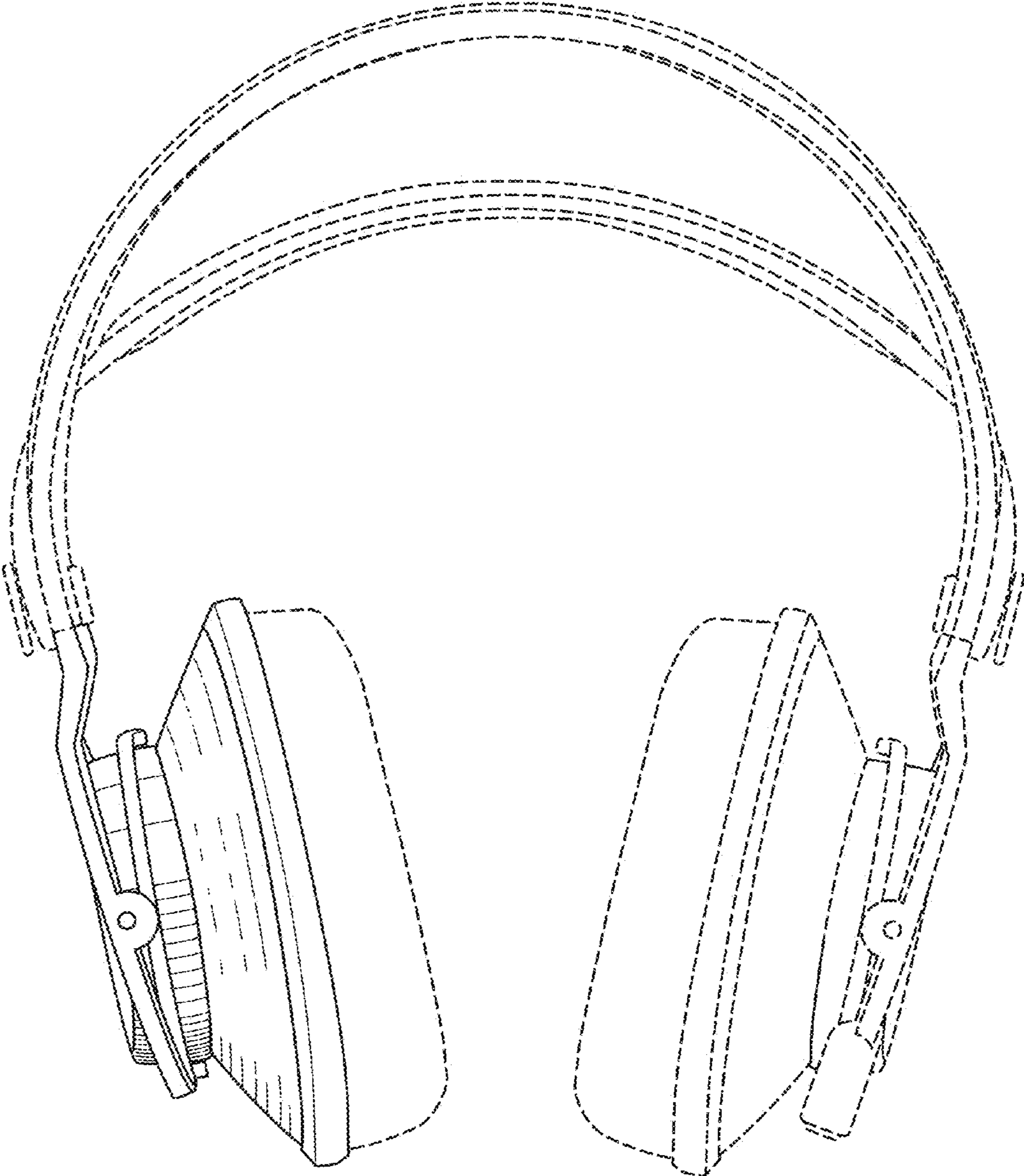


Fig. 3

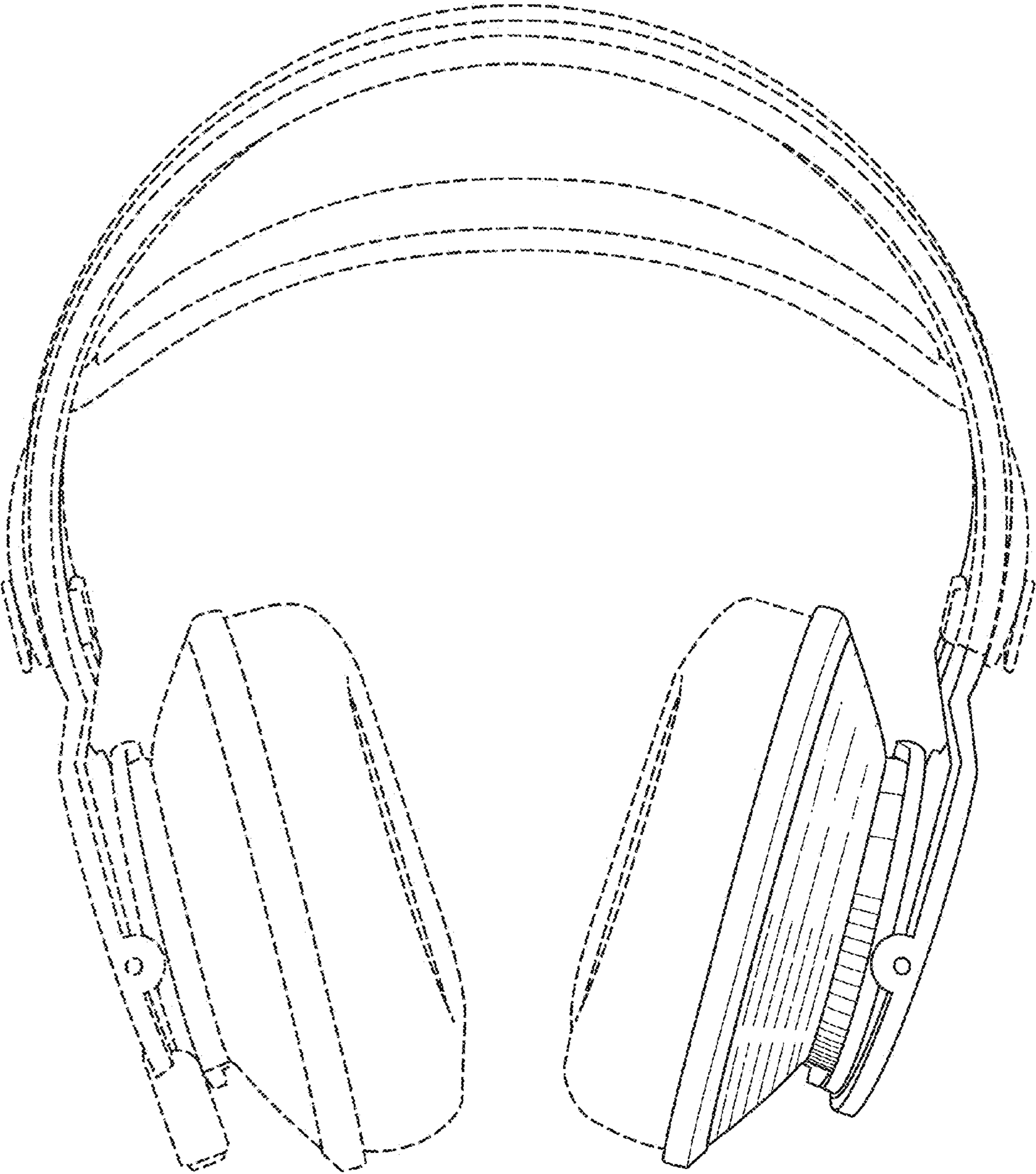


Fig. 4

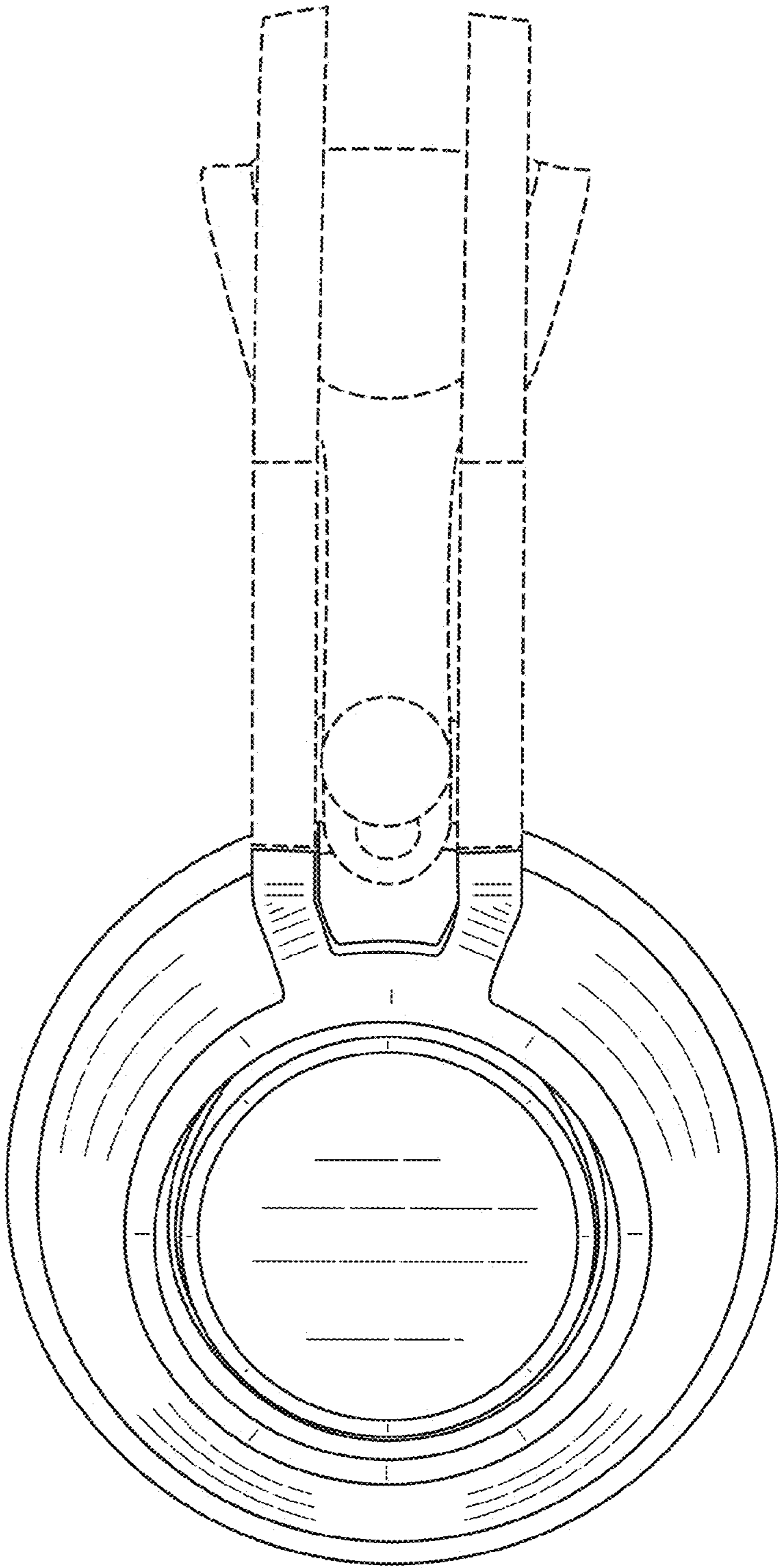


Fig. 5

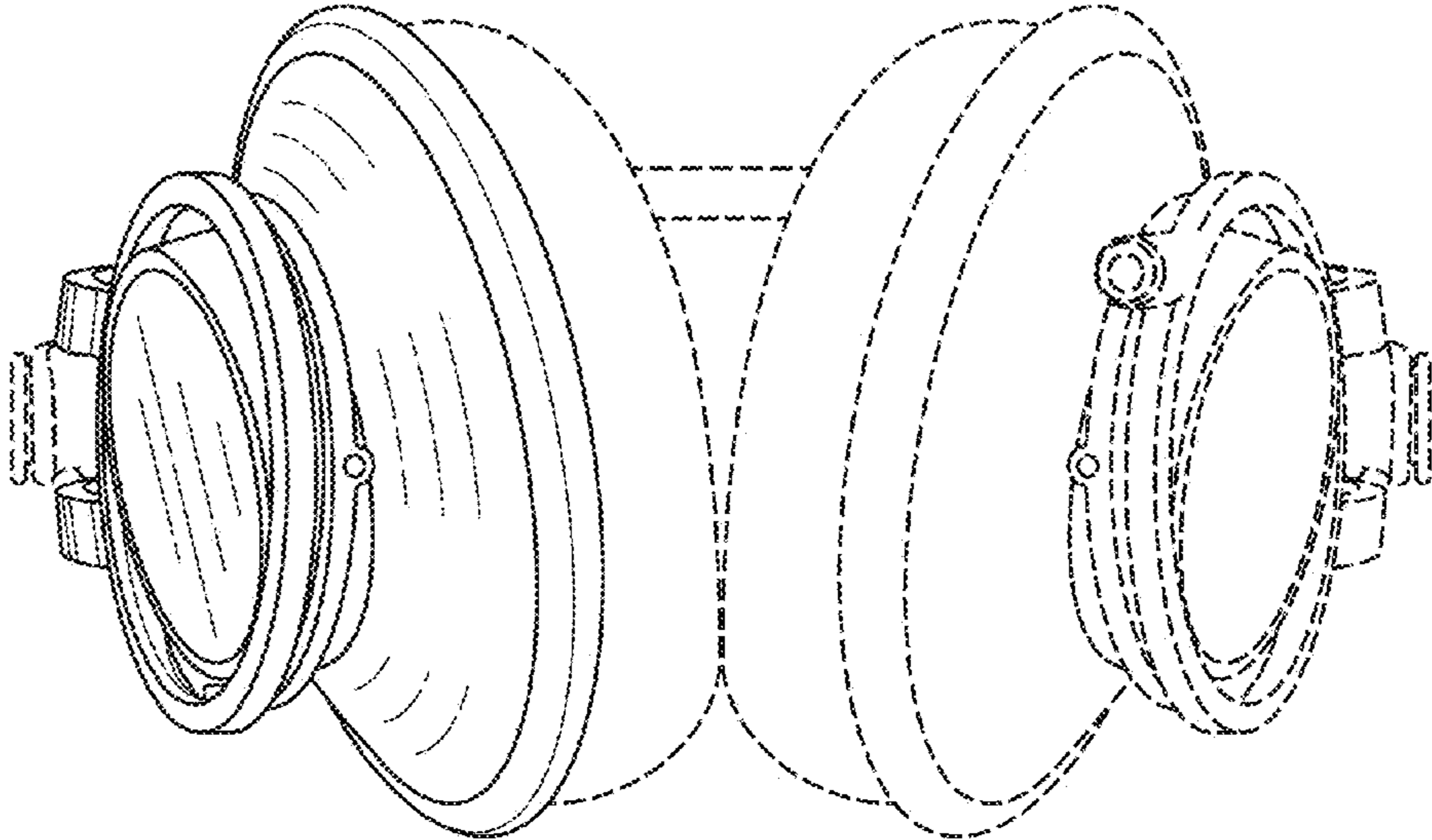


Fig. 6