



US00D736175S

(12) **United States Design Patent**  
**Levine**

(10) **Patent No.:** **US D736,175 S**  
(45) **Date of Patent:** **\*\* \*Aug. 11, 2015**

(54) **HEADPHONE DEVICE**

(71) Applicant: **New Audio LLC**, New York, NY (US)

(72) Inventor: **Jonathan E. Levine**, New York, NY (US)

(73) Assignee: **New Audio LLC**, New York, NY (US)

(\*) Notice: This patent is subject to a terminal disclaimer.

(\*\*) Term: **14 Years**

(21) Appl. No.: **29/481,796**

(22) Filed: **Feb. 10, 2014**

(51) **LOC (10) Cl.** ..... **14-01**

(52) **U.S. Cl.**  
USPC ..... **D14/205**

(58) **Field of Classification Search**  
USPC ..... D14/205, 206; D29/112; 2/209;  
181/129, 130, 135; 379/430, 431;  
381/380, 381; 455/90.3, 575.1  
CPC ..... H04R 1/1066  
See application file for complete search history.

(56) **References Cited**

**U.S. PATENT DOCUMENTS**

1,127,161	A *	2/1915	Baldwin	381/379
1,483,315	A *	2/1924	Saal	381/378
1,587,409	A *	6/1926	Ouillette	381/379
1,649,551	A *	11/1927	Smith	381/378
2,486,267	A *	10/1949	Dulinsky	381/377
D156,329	S *	12/1949	Federico et al.	D14/227
2,782,423	A *	2/1957	Simon et al.	2/209
3,440,663	A *	4/1969	Beguin	2/209
3,488,457	A *	1/1970	Lahti	381/371
3,797,045	A *	3/1974	Aho	2/209
3,922,725	A *	12/1975	Csiki et al.	2/209
4,175,217	A *	11/1979	Williams	379/430
4,472,607	A *	9/1984	Houng	181/18
4,829,571	A *	5/1989	Kakiuchi et al.	381/309

5,233,650	A *	8/1993	Chan	379/430
5,293,647	A *	3/1994	Mirmilshteyn et al.	2/209
D410,466	S *	6/1999	Mouri	D14/205
D431,550	S *	10/2000	Yoneda	D14/205
D432,522	S *	10/2000	Kieltyka et al.	D14/216
D484,485	S *	12/2003	Matsuoka	D14/205
D508,483	S *	8/2005	Suzuki	D14/223
D514,087	S *	1/2006	Wilson et al.	D14/206
D517,527	S *	3/2006	Suzuki	D14/205
D560,654	S *	1/2008	Feng	D14/205
D567,215	S *	4/2008	Lee	D14/205
7,388,960	B2 *	6/2008	Kuo et al.	381/186
7,457,649	B1 *	11/2008	Wilson	455/575.2
D620,474	S *	7/2010	Komiyama	D14/205
D635,958	S *	4/2011	Ando et al.	D14/205

(Continued)

*Primary Examiner* — Paula Greene

(74) *Attorney, Agent, or Firm* — Perkins Coie LLP

(57) **CLAIM**

The ornamental design for a headphone device, as shown and described.

**DESCRIPTION**

FIG. 1 is a perspective view of an embodiment of a headphone device showing my new design, as viewed from the top and front.

FIG. 2 is a front profile view of the headphone device shown in FIG. 1.

FIG. 3 is a back profile view of the headphone device shown in FIG. 1.

FIG. 4 is a first side profile view of the headphone device shown in FIG. 1.

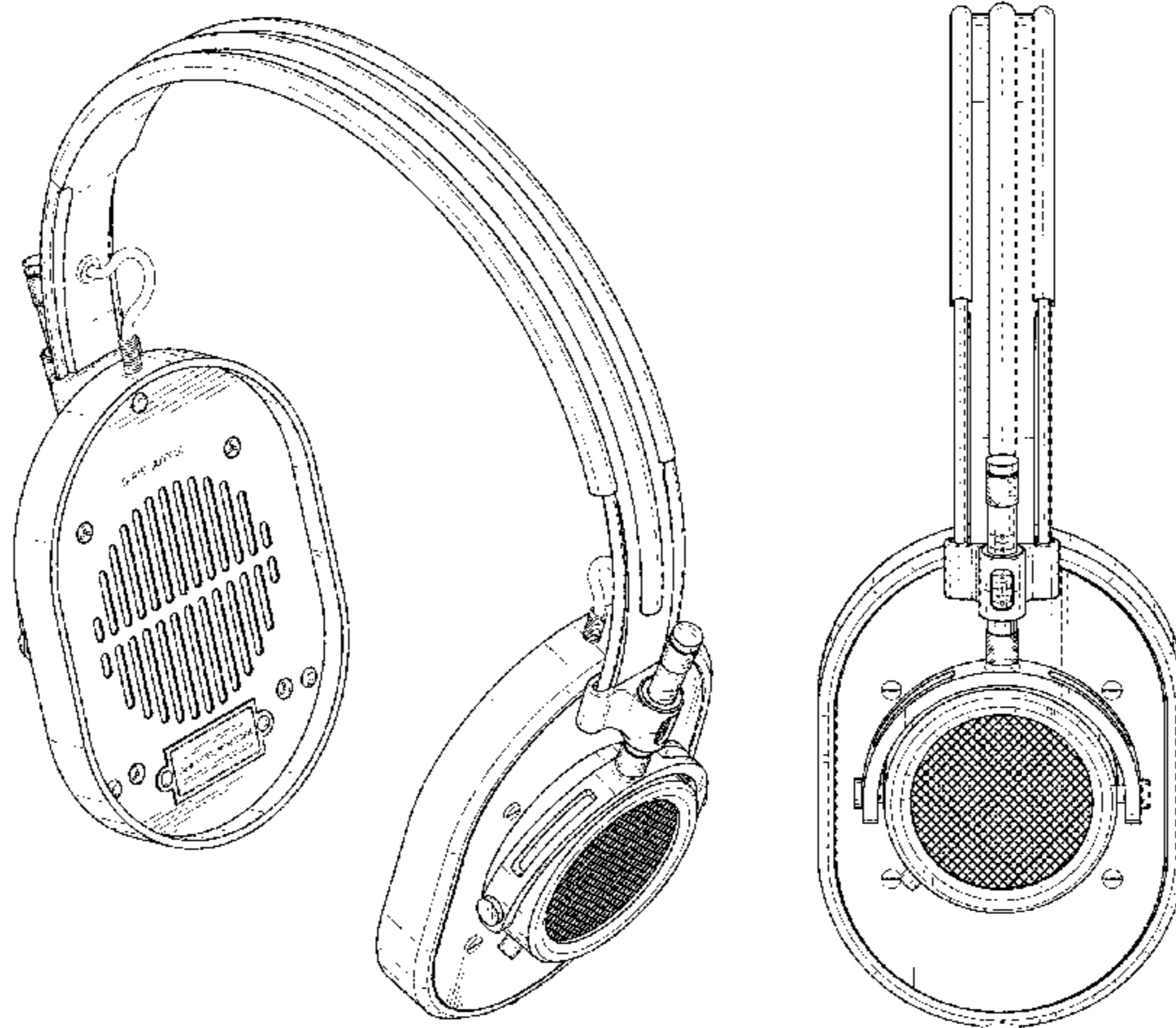
FIG. 5 is a second side profile view of the headphone device shown in FIG. 1.

FIG. 6 is a plan view of the headphone device shown in FIG. 1; and,

FIG. 7 is an inverse plan view of the headphone device shown in FIG. 1.

The details shown in broken lines illustrate features that form no part of the claimed design.

**1 Claim, 5 Drawing Sheets**



# US D736,175 S

Page 2

---

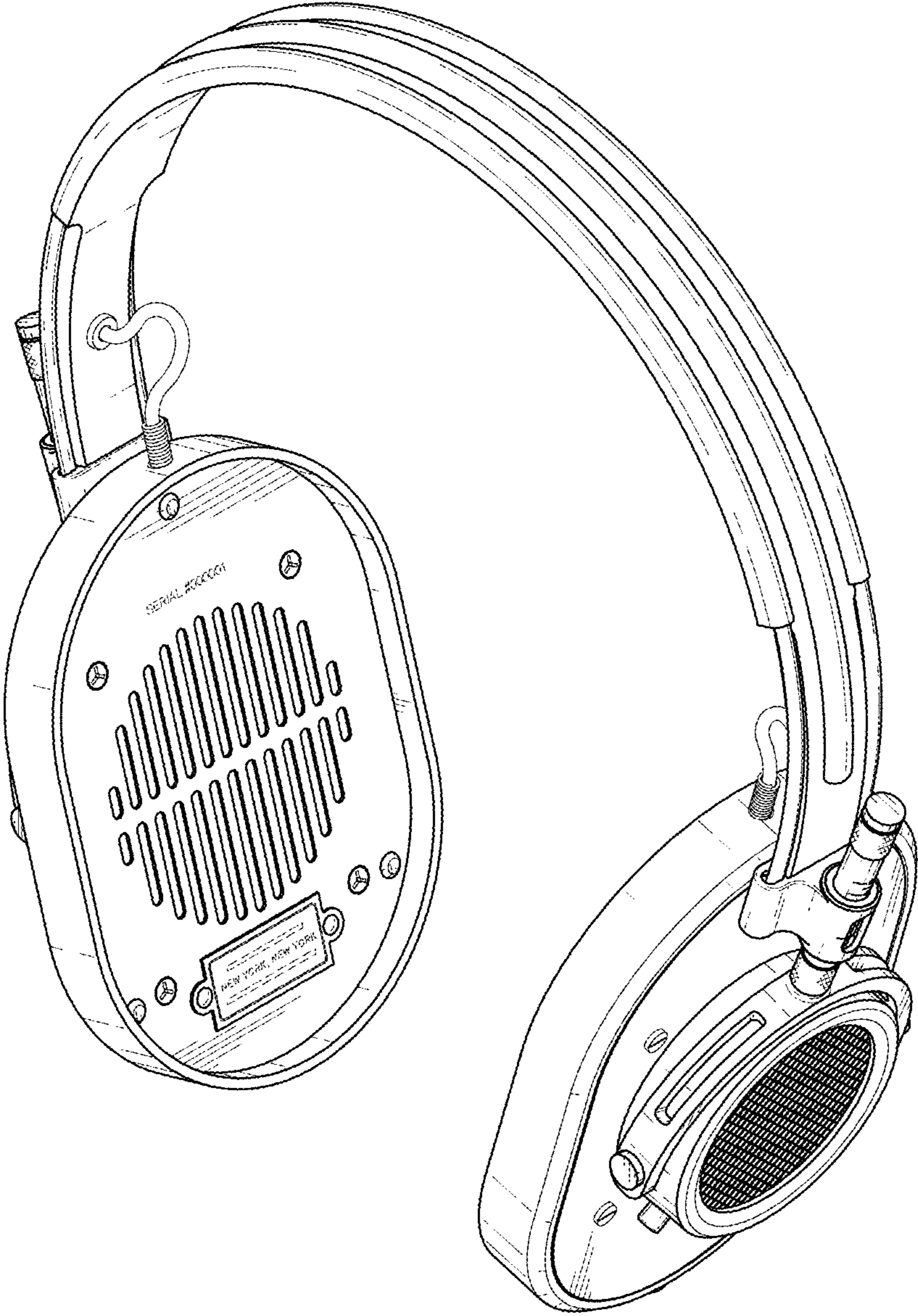
(56)

## References Cited

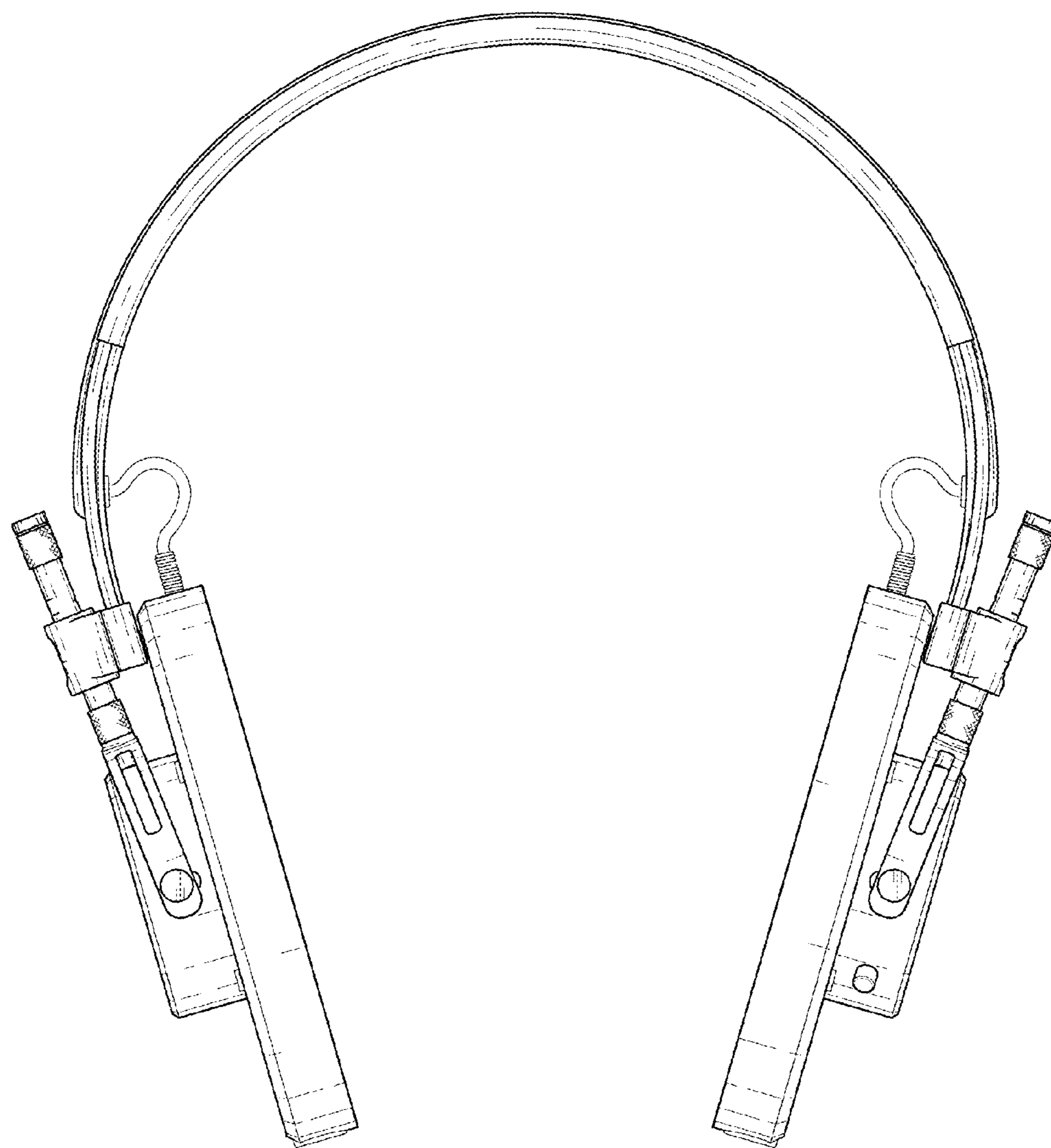
### U.S. PATENT DOCUMENTS

D708,162 S *	7/2014	Wenger et al. ....	D14/205
D712,872 S *	9/2014	Yuen .....	D14/205
2005/0105755 A1 *	5/2005	Yueh .....	381/371
D663,895 S *	7/2012	Nixon .....	D28/8.1

\* cited by examiner

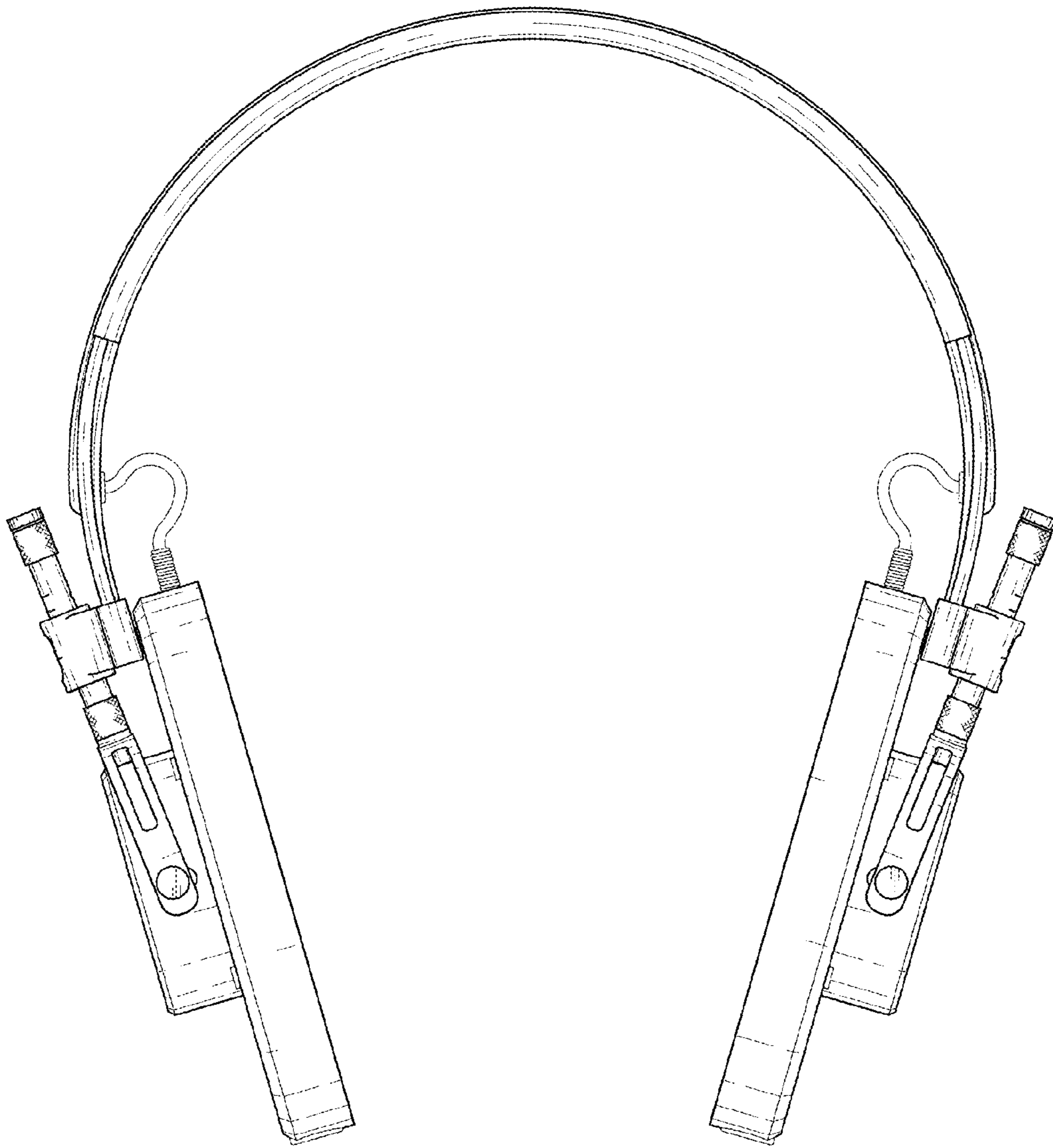


*Fig. 1*

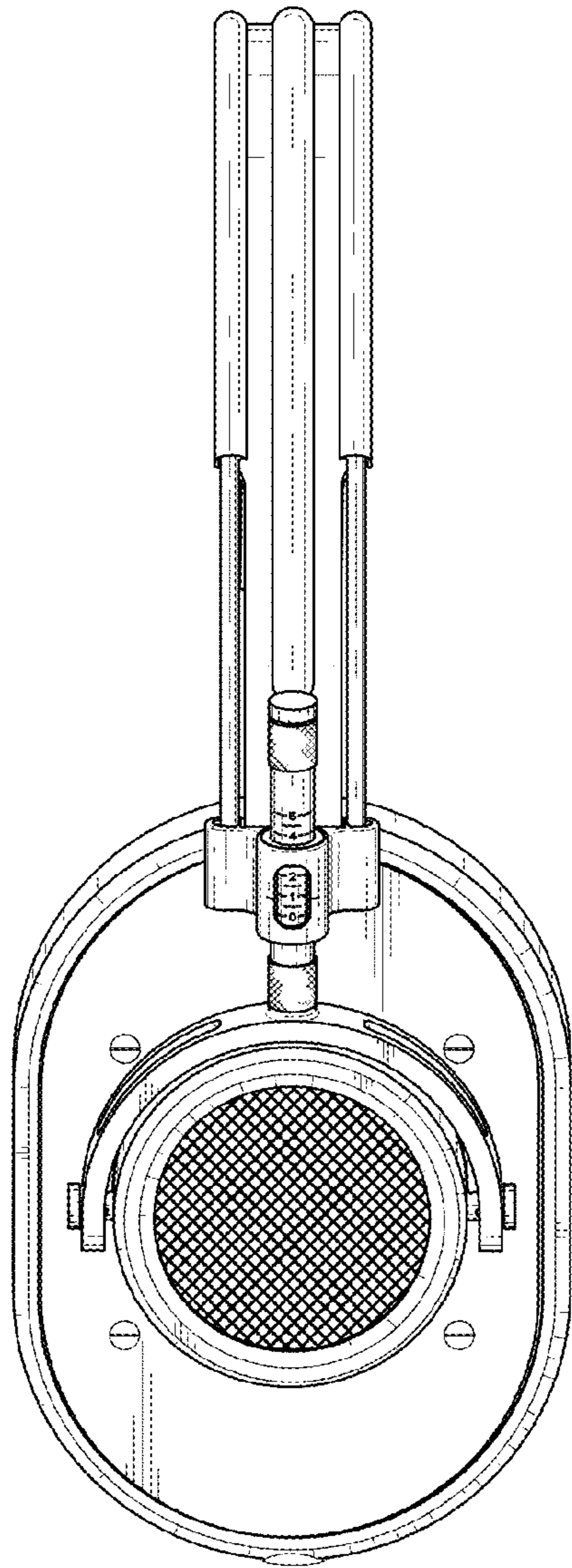


*Fig. 2*

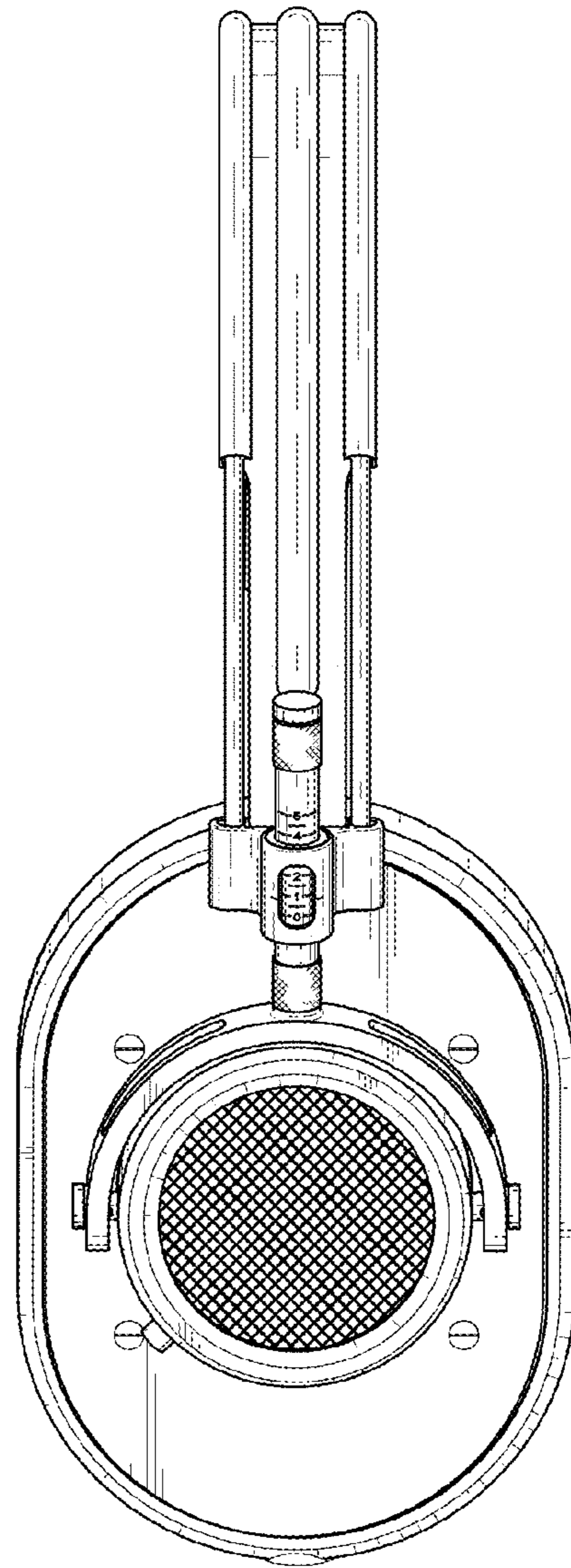




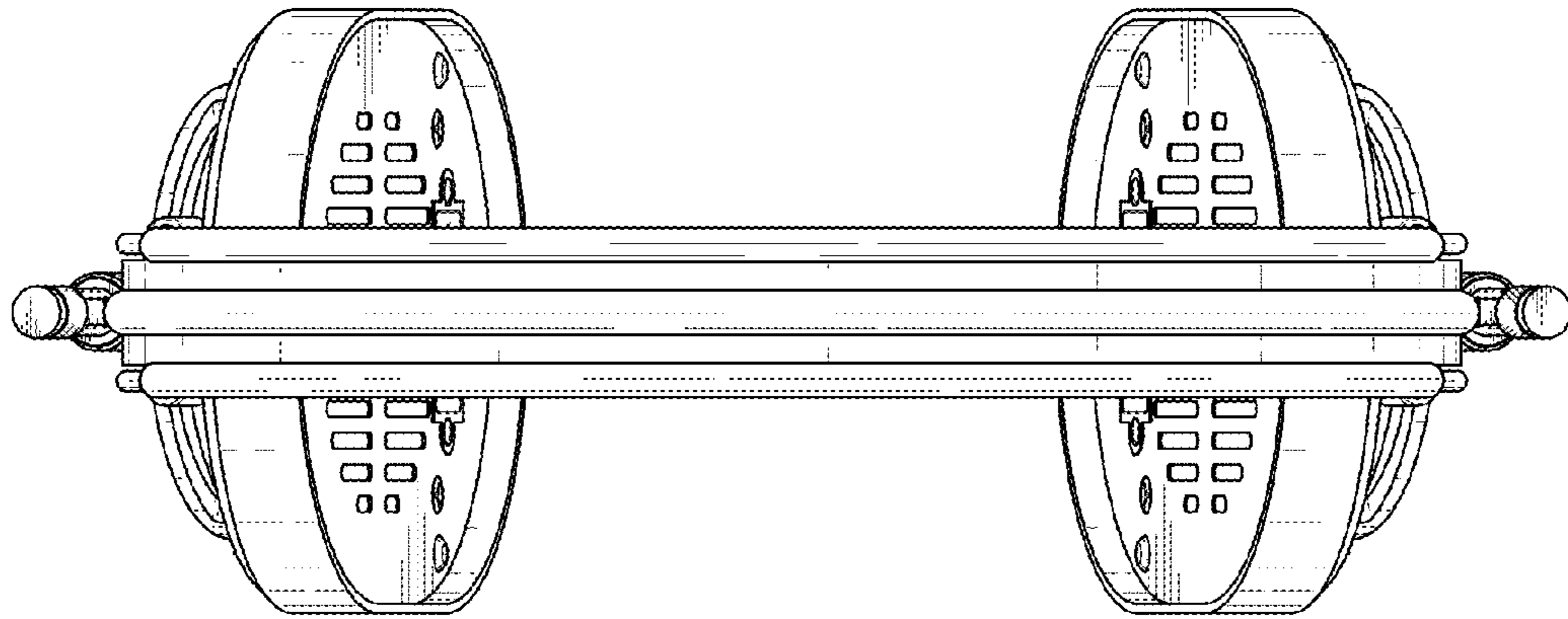
*Fig. 3*



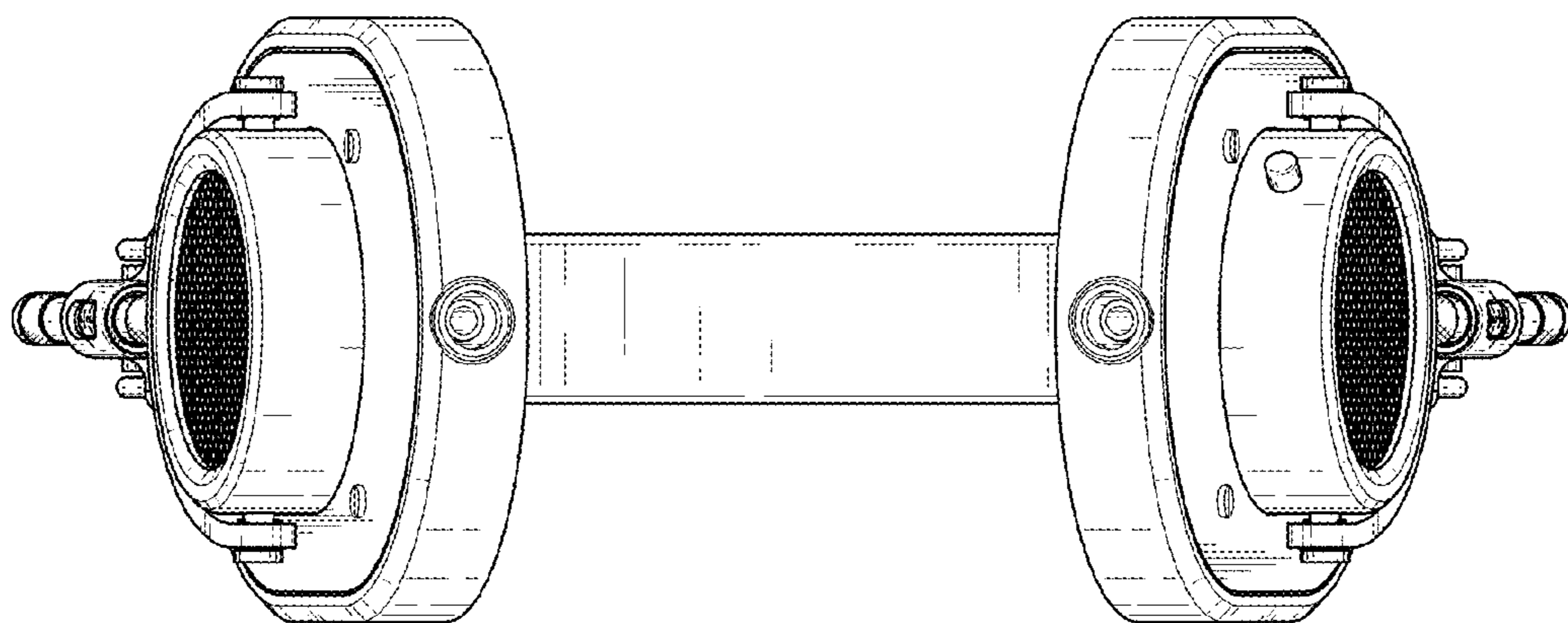
*Fig. 4*



*Fig. 5*



*Fig. 6*



*Fig. 7*