



US00D736173S

(12) **United States Design Patent**
Jacobs et al.

(10) **Patent No.:** **US D736,173 S**

(45) **Date of Patent:** **** *Aug. 11, 2015**

(54) **WALL MOUNT AMPLIFIER PANEL**

381/386–388; 439/775, 786, 797, 894;
455/344–351

(71) Applicant: **Zenovia Electronics Inc.**, St. Albert
(CA)

See application file for complete search history.

(72) Inventors: **Logan Daniel Jacobs**, St. Albert (CA);
Darrick John Wilson, Edmonton (CA)

(56) **References Cited**

U.S. PATENT DOCUMENTS

(73) Assignee: **ZENOVIA ELECTRONICS INC.**,
Acheson, AB (CA)

5,130,662 A * 7/1992 Jorgensen et al. 330/51
5,255,322 A * 10/1993 Farinelli et al. 381/84
8,290,172 B2 * 10/2012 Langella 381/77

(*) Notice: This patent is subject to a terminal dis-
claimer.

* cited by examiner

(**) Term: **14 Years**

Primary Examiner — Stella Reid

Assistant Examiner — Janice Lim

(21) Appl. No.: **29/441,059**

(74) *Attorney, Agent, or Firm* — Miller Thomson LLP; Tai
W. Nahm

(22) Filed: **Dec. 31, 2012**

(57) **CLAIM**

The ornamental design for wall mount amplifier panel, as
shown and described.

Related U.S. Application Data

DESCRIPTION

(63) Continuation of application No. 13/594,485, filed on
Aug. 24, 2012.

(51) **LOC (10) Cl.** **14-03**

(52) **U.S. Cl.**
USPC **D14/188**

(58) **Field of Classification Search**

USPC D13/156, 158, 184, 199; D14/155, 158,
D14/159, 168, 171, 172, 188, 196, 204, 207,
D14/209.1, 210–215, 219–222, 224, 265,
D14/299, 433, 496, 498, 500, 509; 174/151,
174/153 R; 181/143, 144, 147, 148,
181/150–153, 157, 198, 199; 381/300–303,
381/306, 332, 333, 336, 345, 361–364,

FIG. 1 is a front left perspective view of a wall mount ampli-
fier panel, showing our new design.

FIG. 2 is a rear left perspective view thereof.

FIG. 3 is a rear right perspective view thereof.

FIG. 4 is a front right perspective view thereof.

FIG. 5 is a top view thereof.

FIG. 6 is a front view thereof.

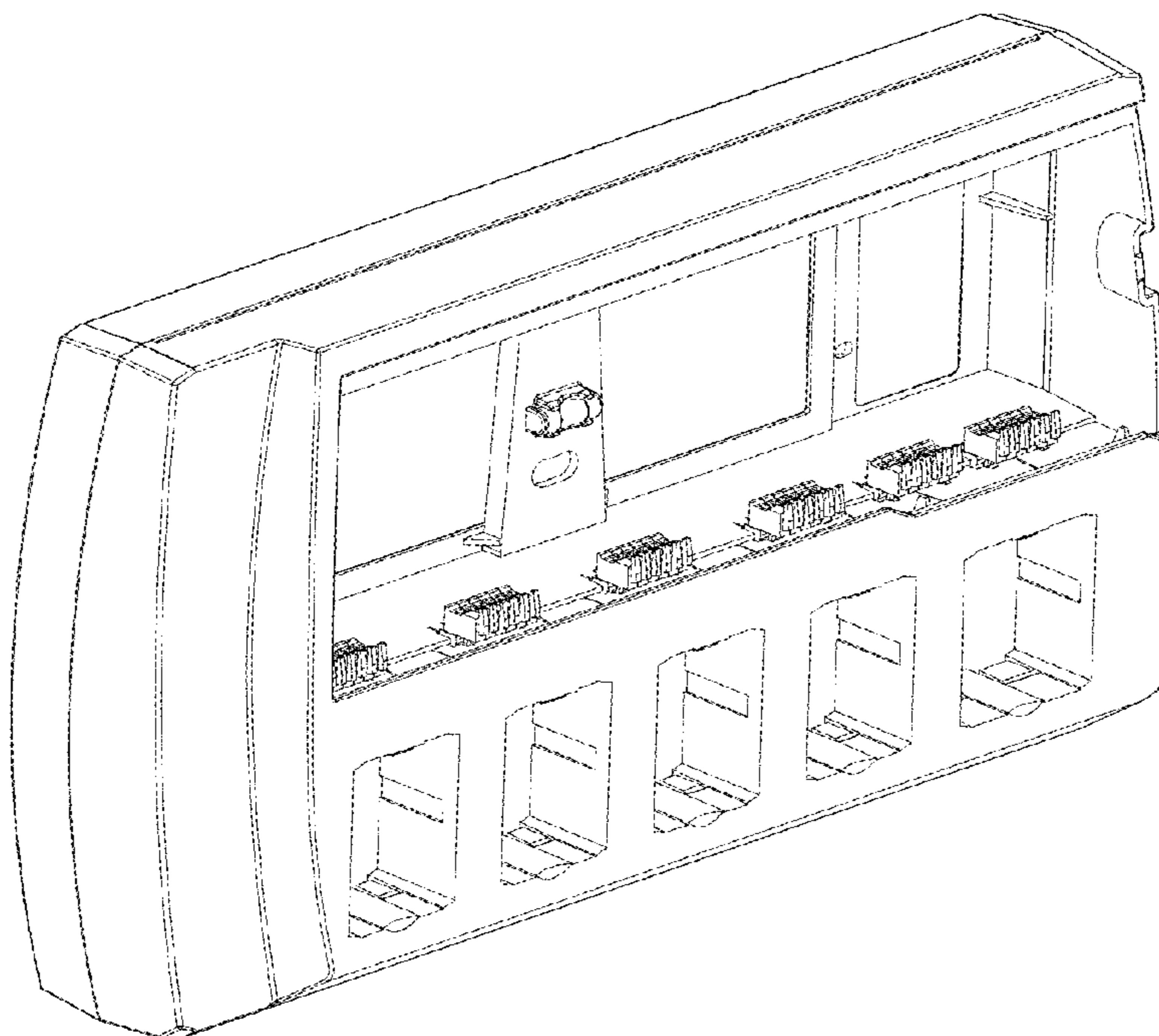
FIG. 7 is a rear view thereof.

FIG. 8 is a bottom view thereof.

FIG. 9 is a left side view thereof; and,

FIG. 10 is a right side view thereof.

1 Claim, 5 Drawing Sheets



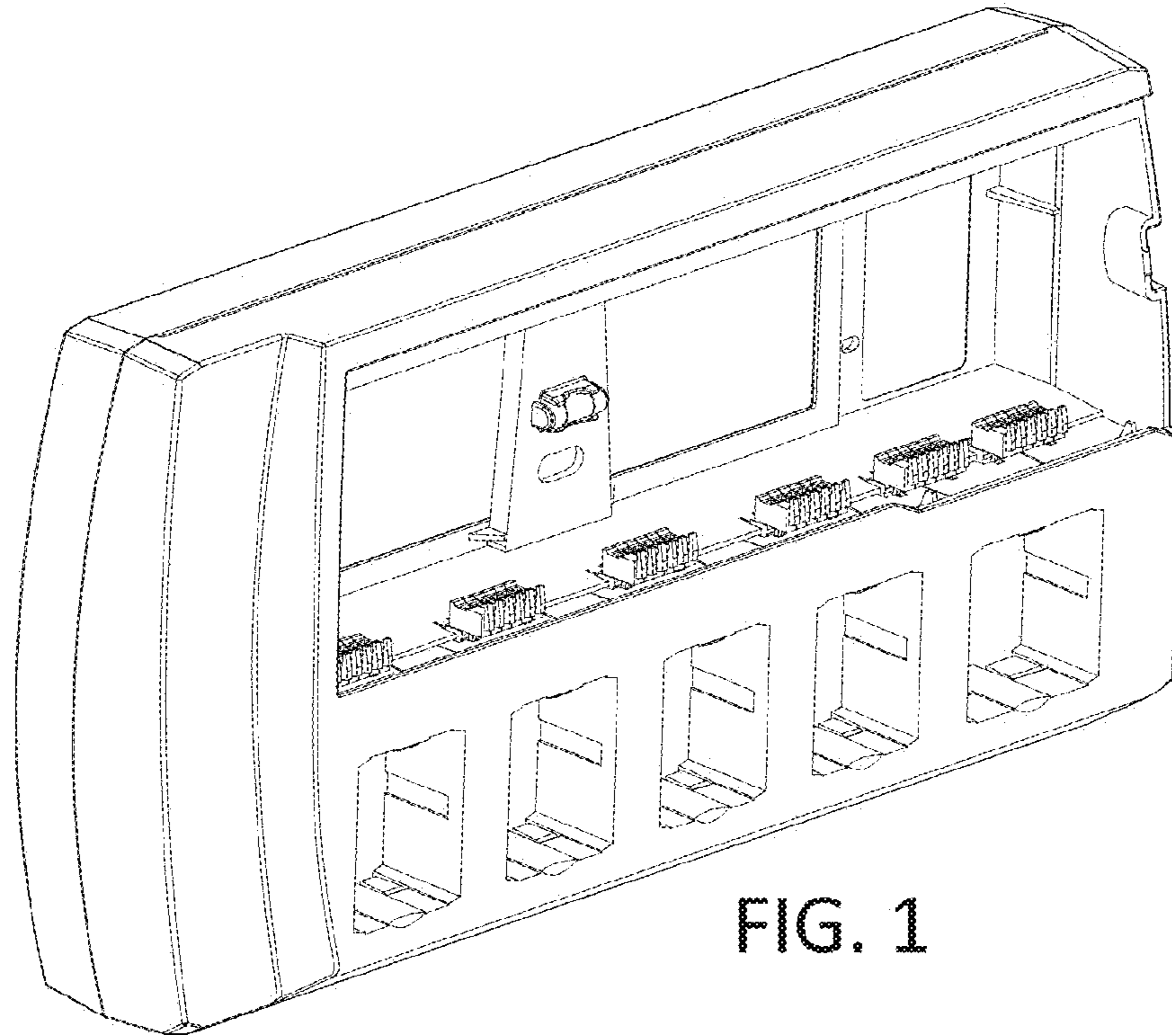


FIG. 1

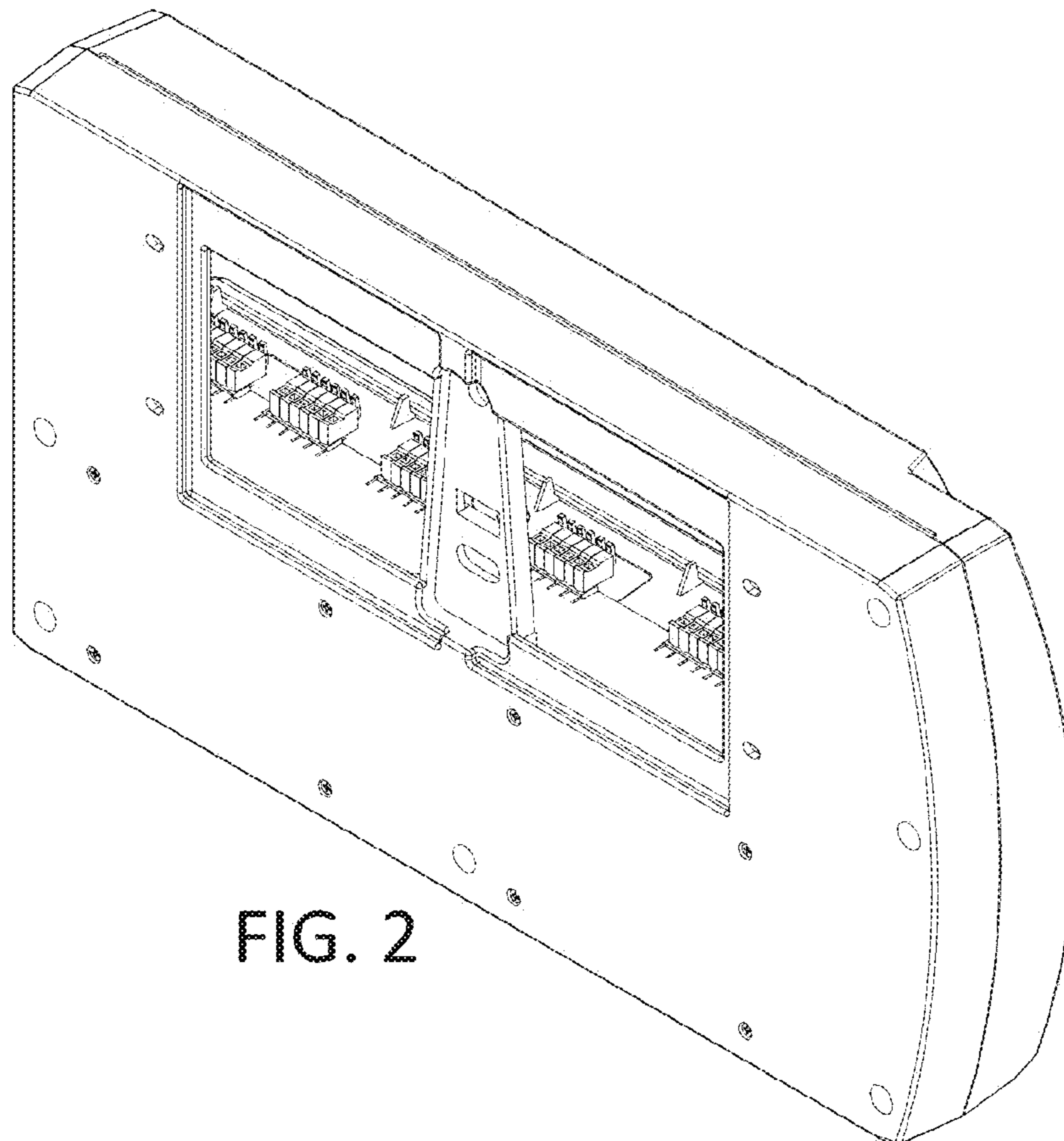
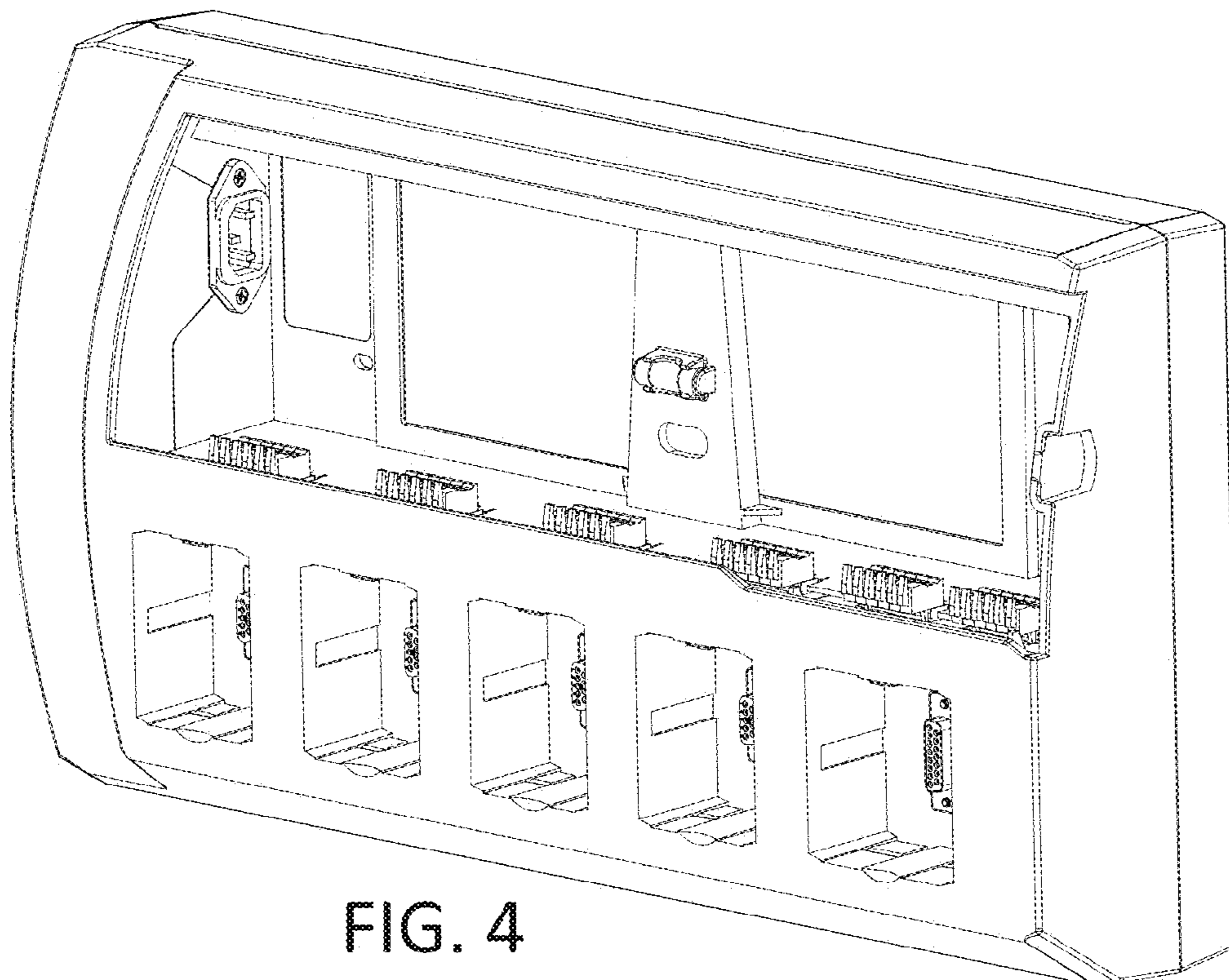
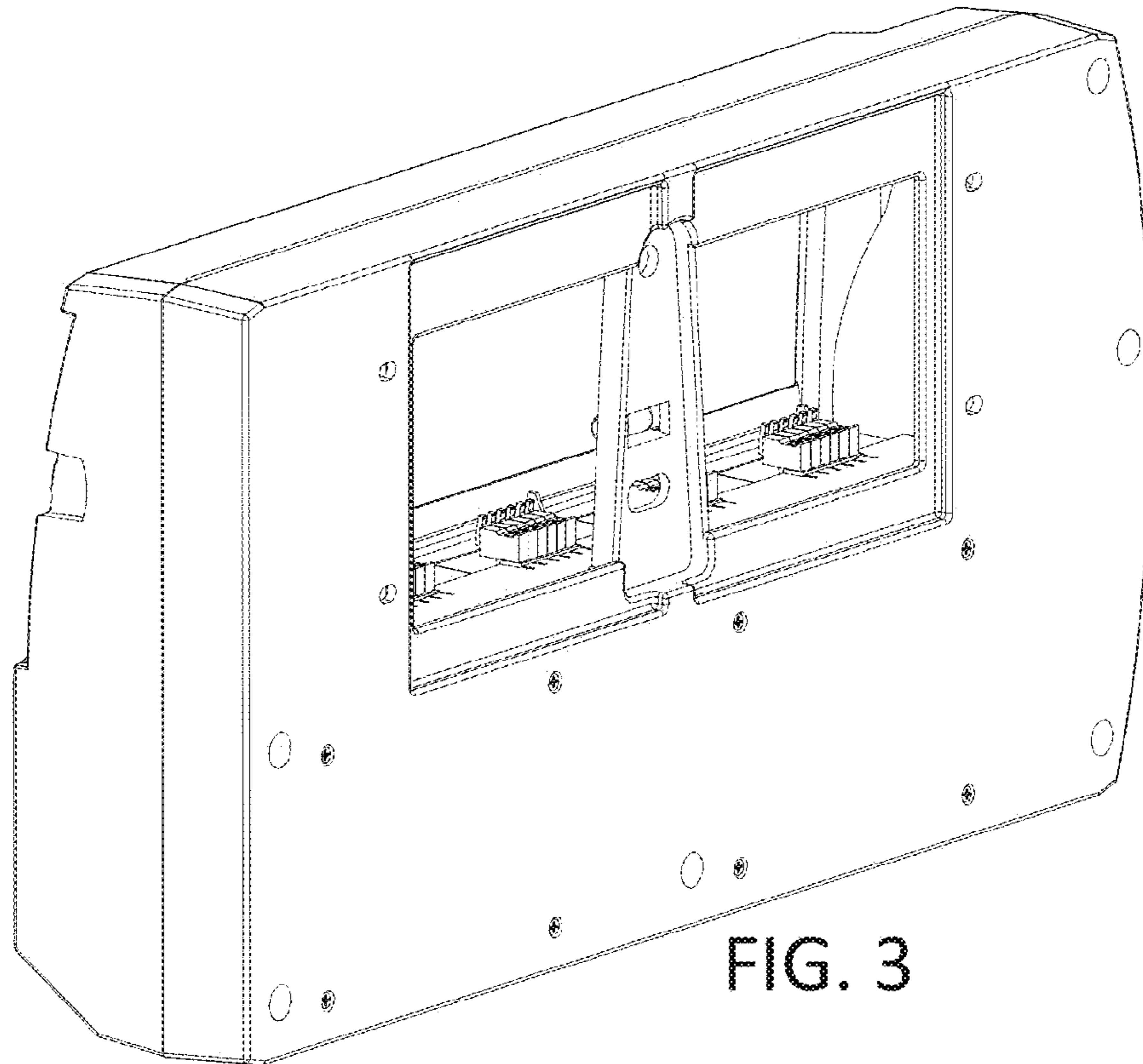


FIG. 2



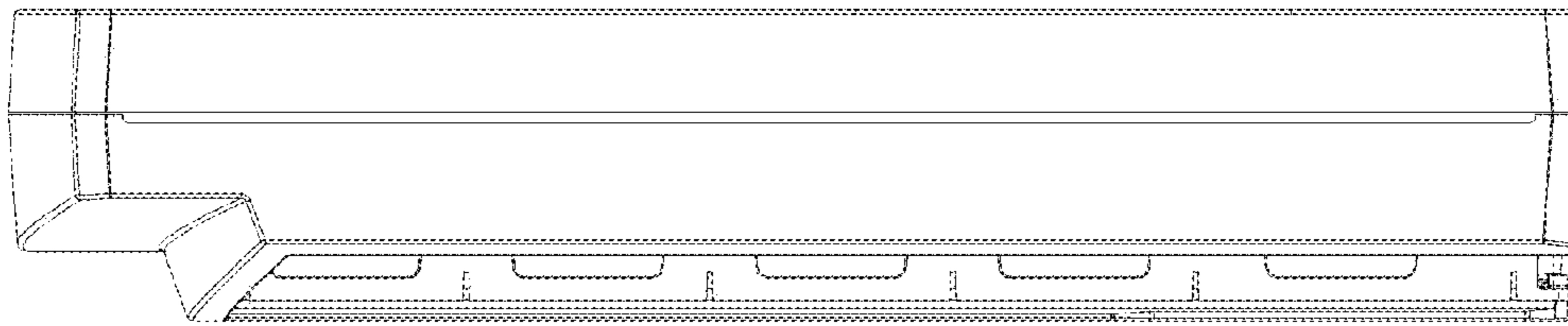


FIG. 5

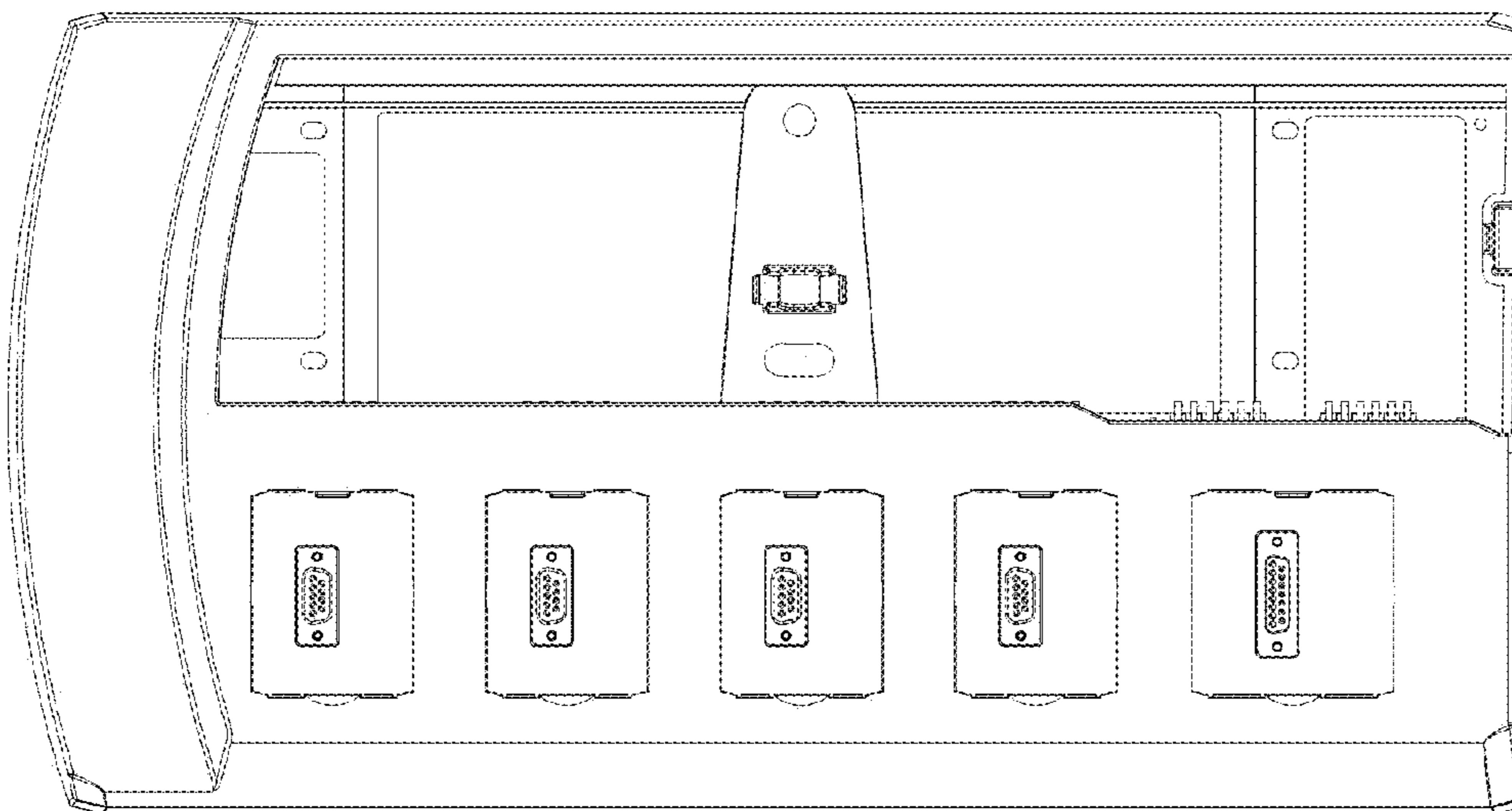


FIG. 6

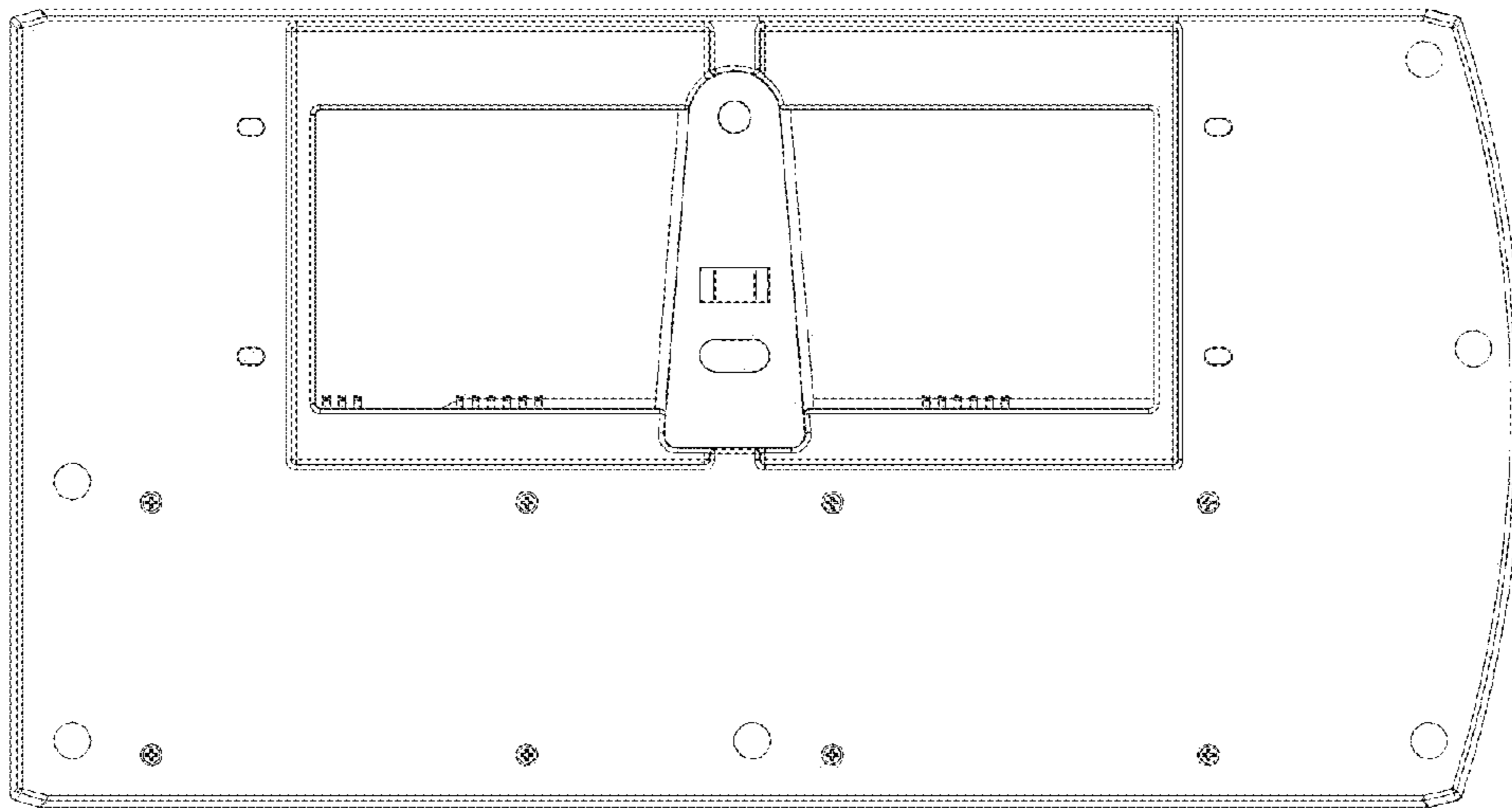


FIG. 7



FIG. 8

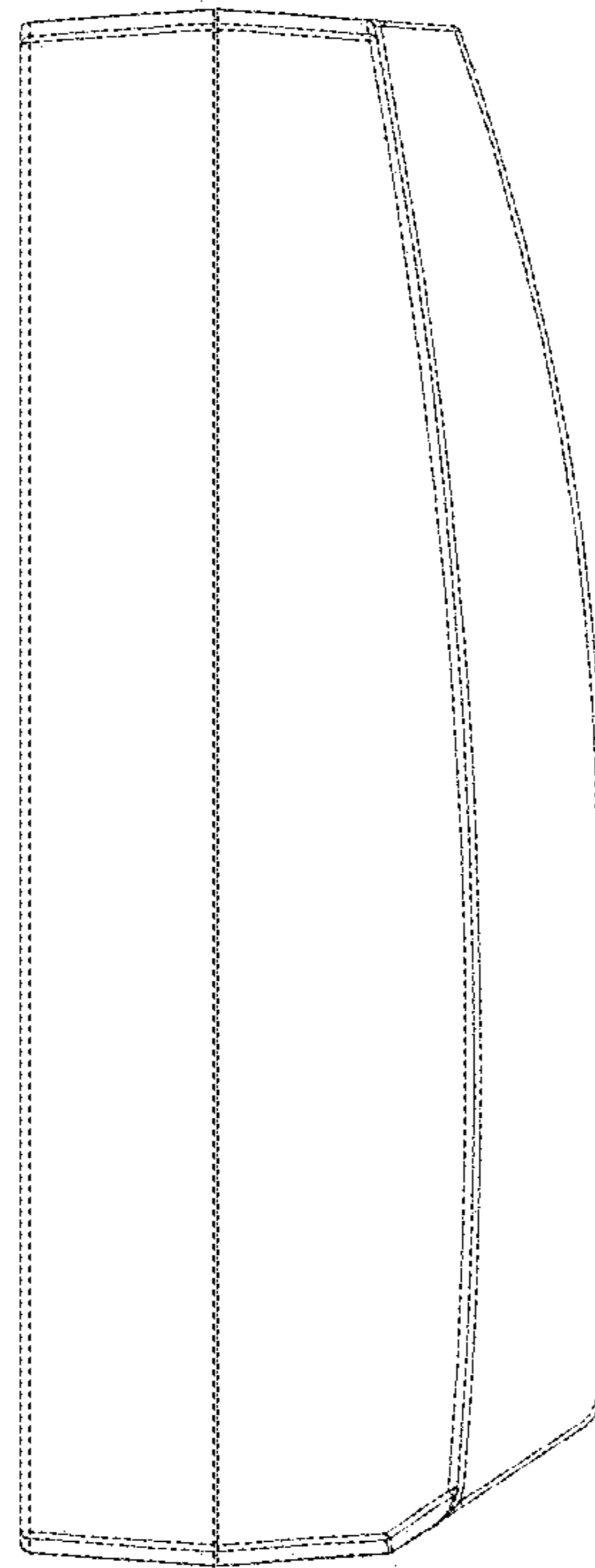


FIG. 9

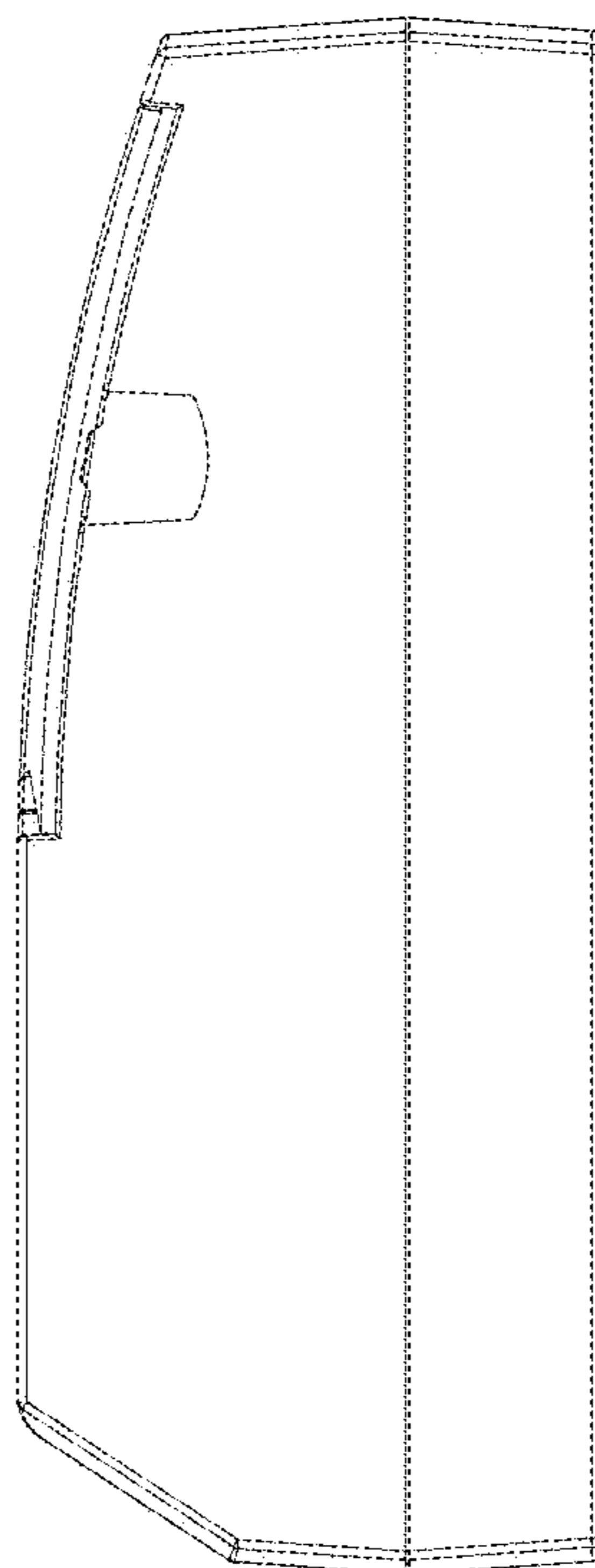


FIG. 10