



US00D736170S

(12) **United States Design Patent**
Ryu et al.

(10) **Patent No.:** **US D736,170 S**

(45) **Date of Patent:** **** Aug. 11, 2015**

(54) **TELEVISION**

(56) **References Cited**

(71) Applicant: **Samsung Electronics Co., Ltd.**,
Suwon-si (KR)

U.S. PATENT DOCUMENTS

(72) Inventors: **Jin-Ie Ryu**, Seoul (KR); **Jin-Wook Kim**,
Yongin-si (KR); **Ki-Hyun Yoon**, Busan (KR); **Hong-Pyo Kim**,
Seoul (KR); **Chi-Young Ahn**, Seoul (KR)

D499,386 S *	12/2004	Yang	D14/126
D546,788 S *	7/2007	Isshiki	D14/126
D547,279 S *	7/2007	Yokota	D14/126
D565,520 S *	4/2008	Yoshimura et al.	D14/126
D572,684 S *	7/2008	Suzuki et al.	D14/126
D611,438 S *	3/2010	Kubota	D14/126
D642,150 S *	7/2011	Takami et al.	D14/126
D661,672 S *	6/2012	Kim	D14/126
D665,368 S *	8/2012	Kumano et al.	D14/126
D673,129 S *	12/2012	Kumano	D14/126

(73) Assignee: **SAMSUNG ELECTRONICS CO., LTD.** (KR)

(Continued)

(**) Term: **14 Years**

Primary Examiner — Raphael Barkai

(74) *Attorney, Agent, or Firm* — Cantor Colburn LLP

(21) Appl. No.: **29/512,224**

(57) **CLAIM**

The ornamental design for a television, as shown and described.

(22) Filed: **Dec. 17, 2014**

DESCRIPTION

(30) **Foreign Application Priority Data**

Jun. 17, 2014 (KR) 30-2014-0029506

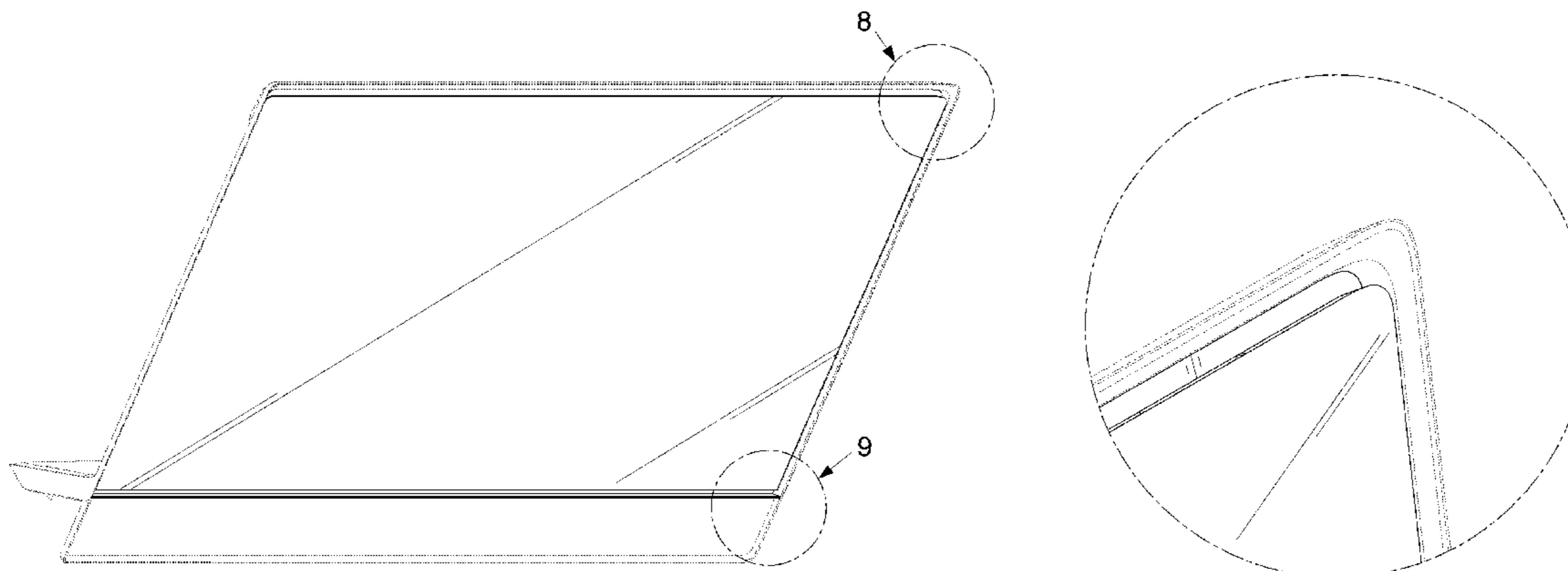
(51) **LOC (10) Cl.** **14-03**

(52) **U.S. Cl.**
USPC **D14/126**

(58) **Field of Classification Search**
USPC D14/125–134, 239, 371, 136, 374–377,
D14/440, 450, 448, 336, 342, 159; 312/7.2;
348/836, 838, 180, 184, 325, 739;
248/917–924, 465; 345/104, 133, 156,
345/168, 87, 173; D21/329, 515, 577, 622,
D21/333, 433, 448, 452, 450, 331, 505;
D10/15, 26; 446/484, 175, 356;
D6/477, 479, 300; D24/185; D34/14
CPC ... G06F 1/1601; G06F 1/1643; H05K 5/0004;
H05K 5/0017; H05K 5/02; H05K 5/0217
See application file for complete search history.

FIG. 1 is a perspective view of a television, showing our new design;
FIG. 2 is a front view thereof;
FIG. 3 is a rear view thereof;
FIG. 4 is a side view thereof;
FIG. 5 is another side view thereof;
FIG. 6 is a top view thereof;
FIG. 7 is a bottom view thereof;
FIG. 8 is an enlarged view of portion “8” as shown in FIG. 1;
FIG. 9 is an enlarged view of portion “9” as shown in FIG. 1;
FIG. 10 is a cross sectional view along the line 10-10 of FIG. 2;
FIG. 11 is an enlarged view of portion “11” as shown in FIG. 10; and,
FIG. 12 is an enlarged view of portion “12” as shown in FIG. 10.
The broken lines are for environmental purpose only and form no part of the claimed design.
The dot-dash broken lines encircling the portion of the claimed design that is illustrated in an enlargement form no part of the claimed design.

1 Claim, 11 Drawing Sheets



(56)

References Cited

D699,698 S * 2/2014 Jeon et al. D14/126
D719,120 S * 12/2014 Park et al. D14/126

U.S. PATENT DOCUMENTS

D699,205 S * 2/2014 Kim et al. D14/126 * cited by examiner

FIG.1

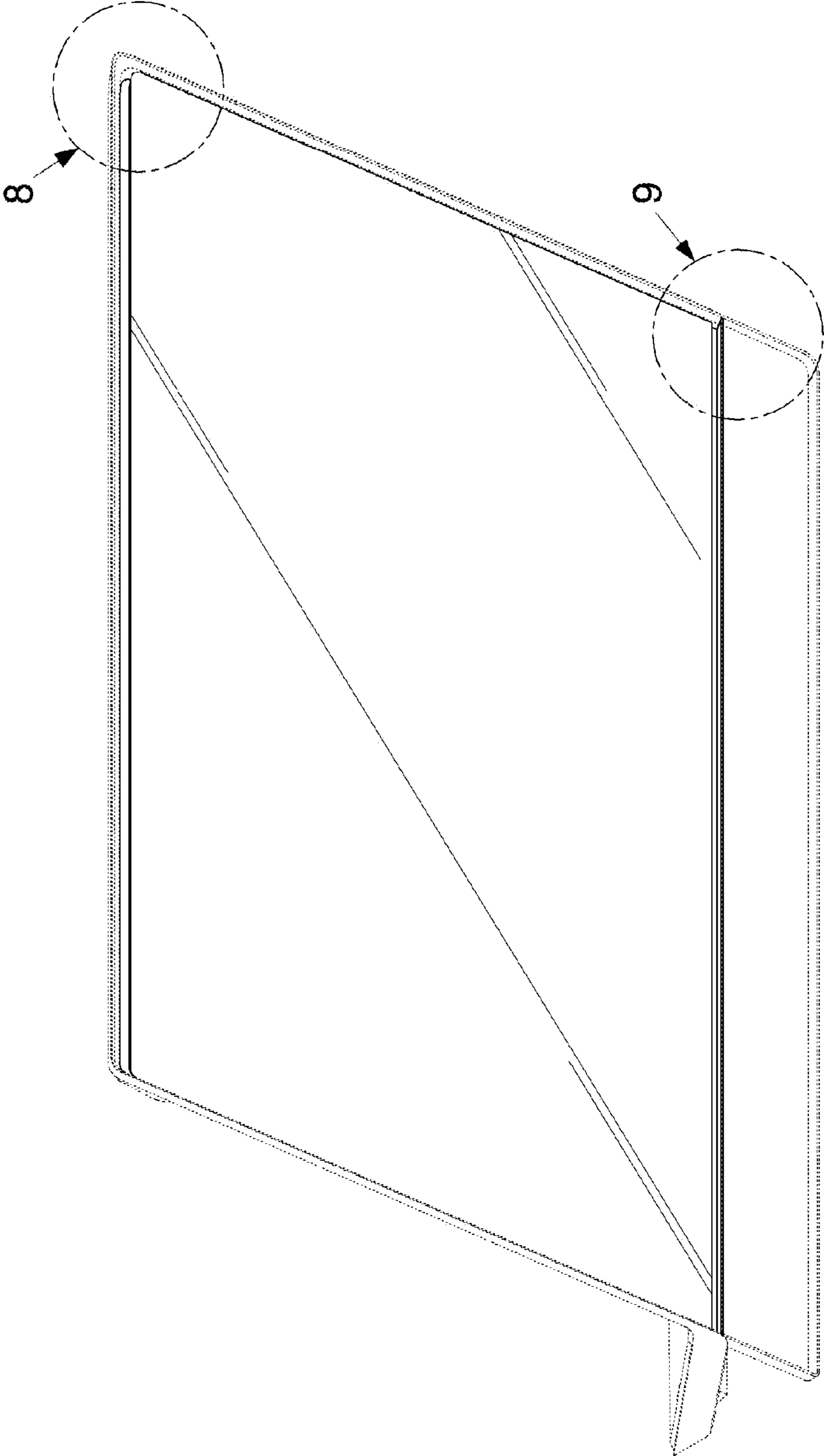


FIG. 2

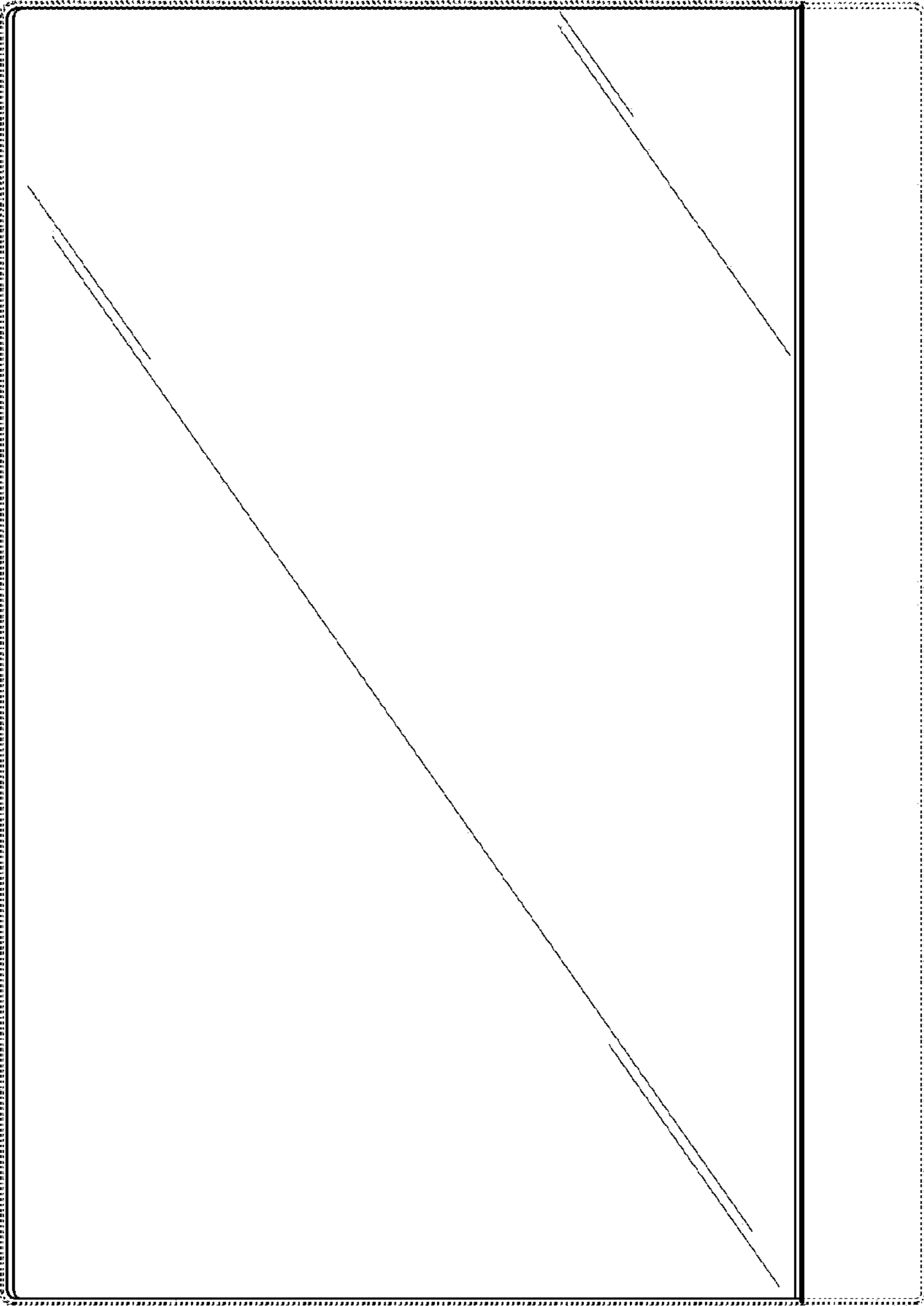


FIG. 3

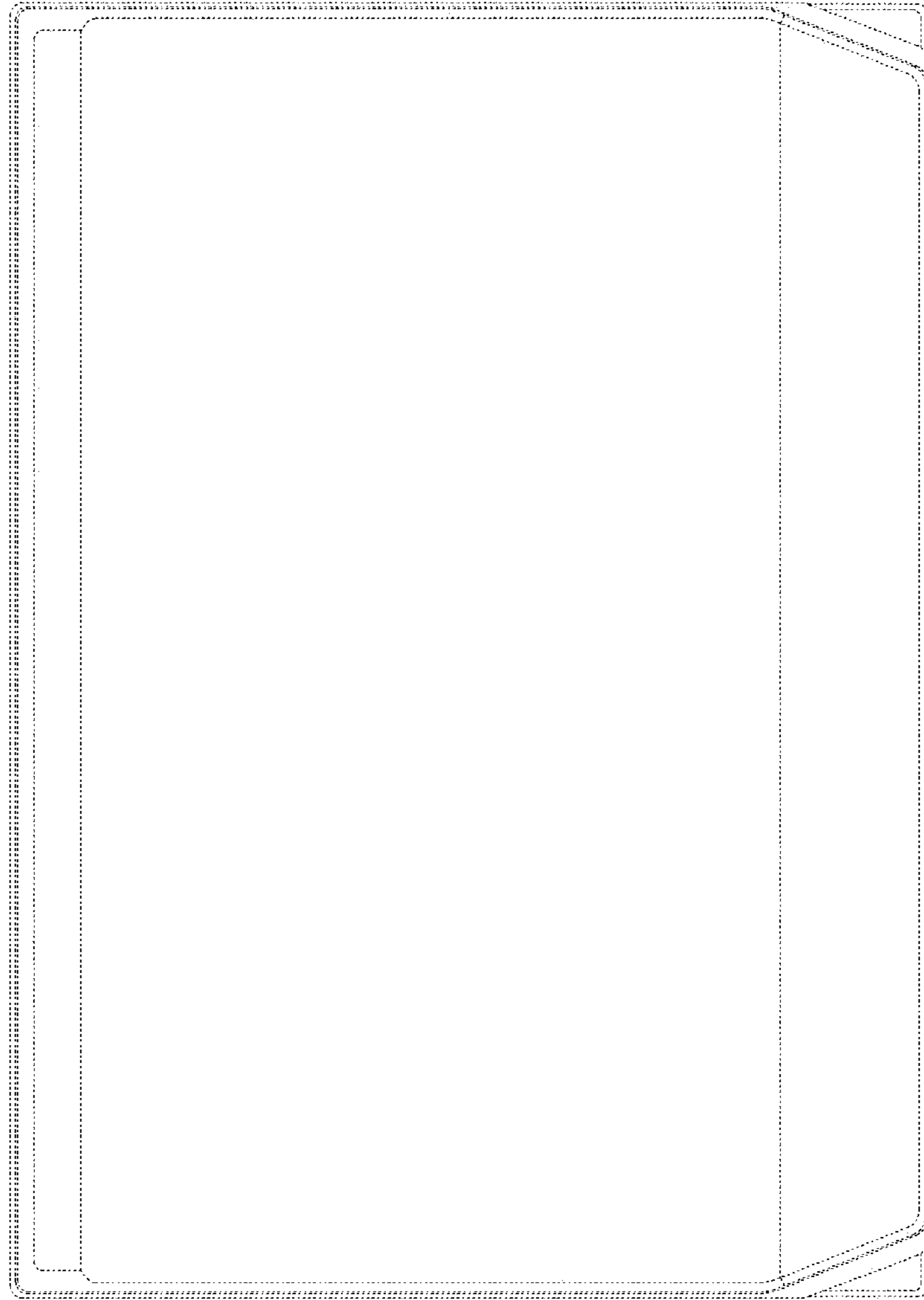


FIG. 4

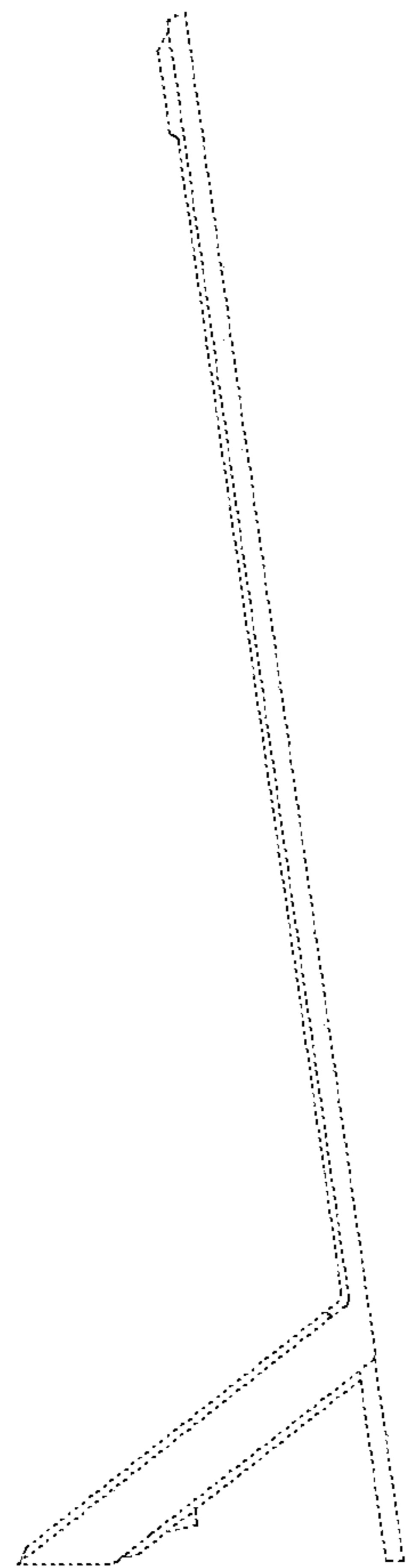


FIG. 5

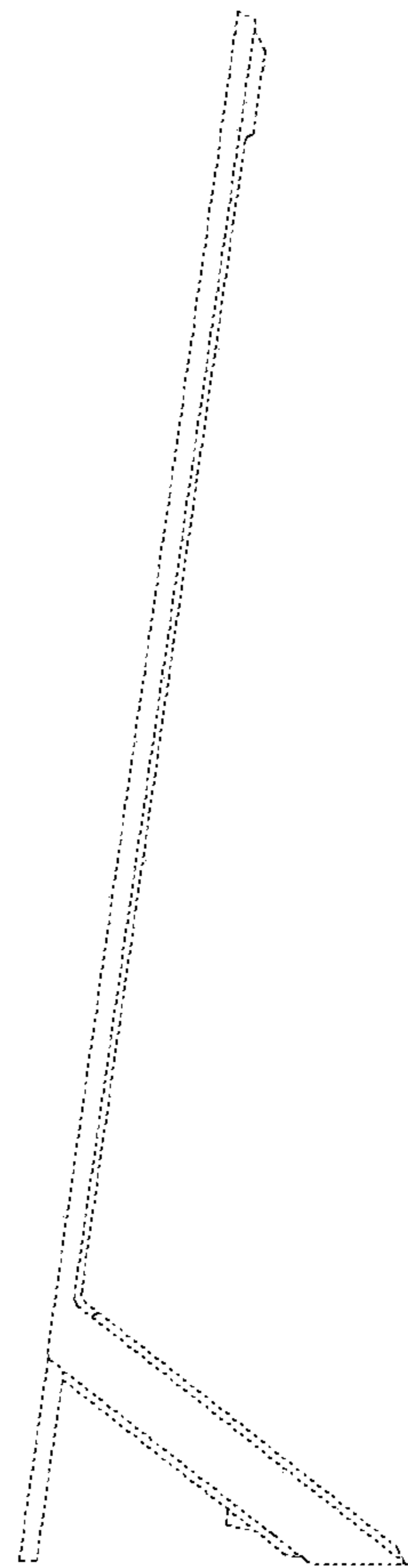


FIG. 6

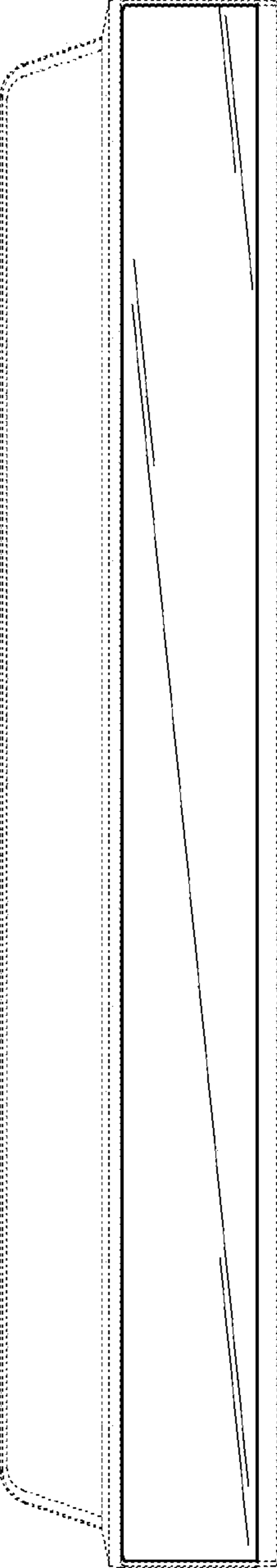


FIG. 7

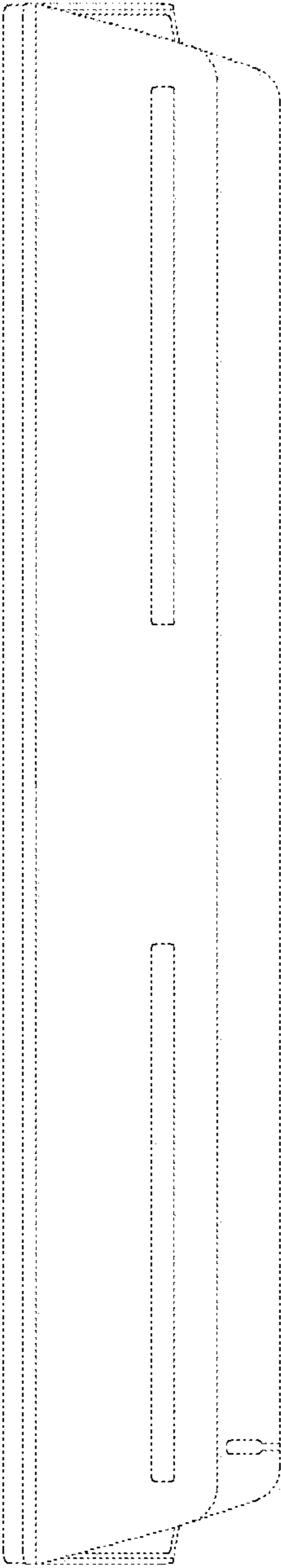


FIG.8

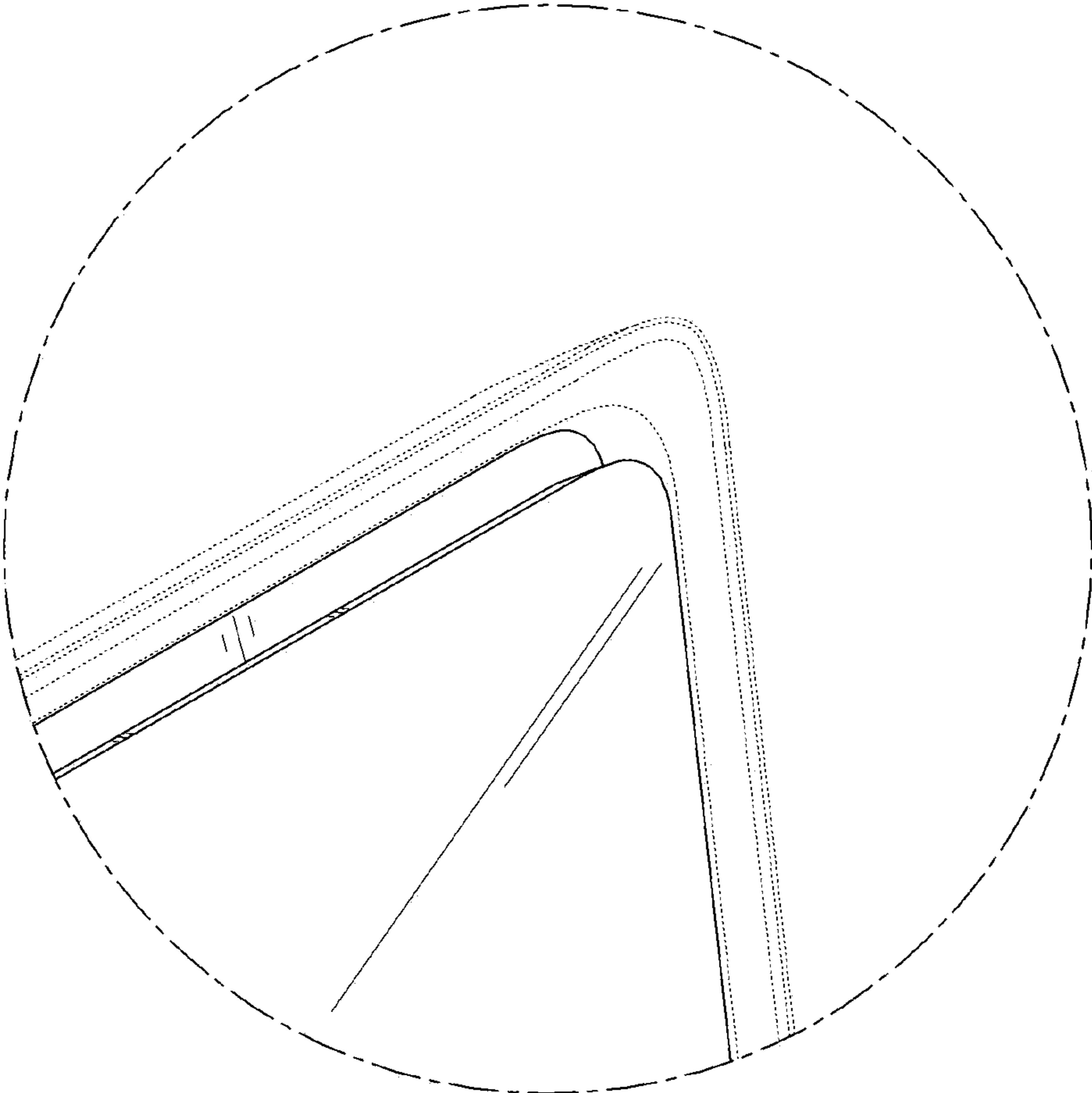


FIG. 9

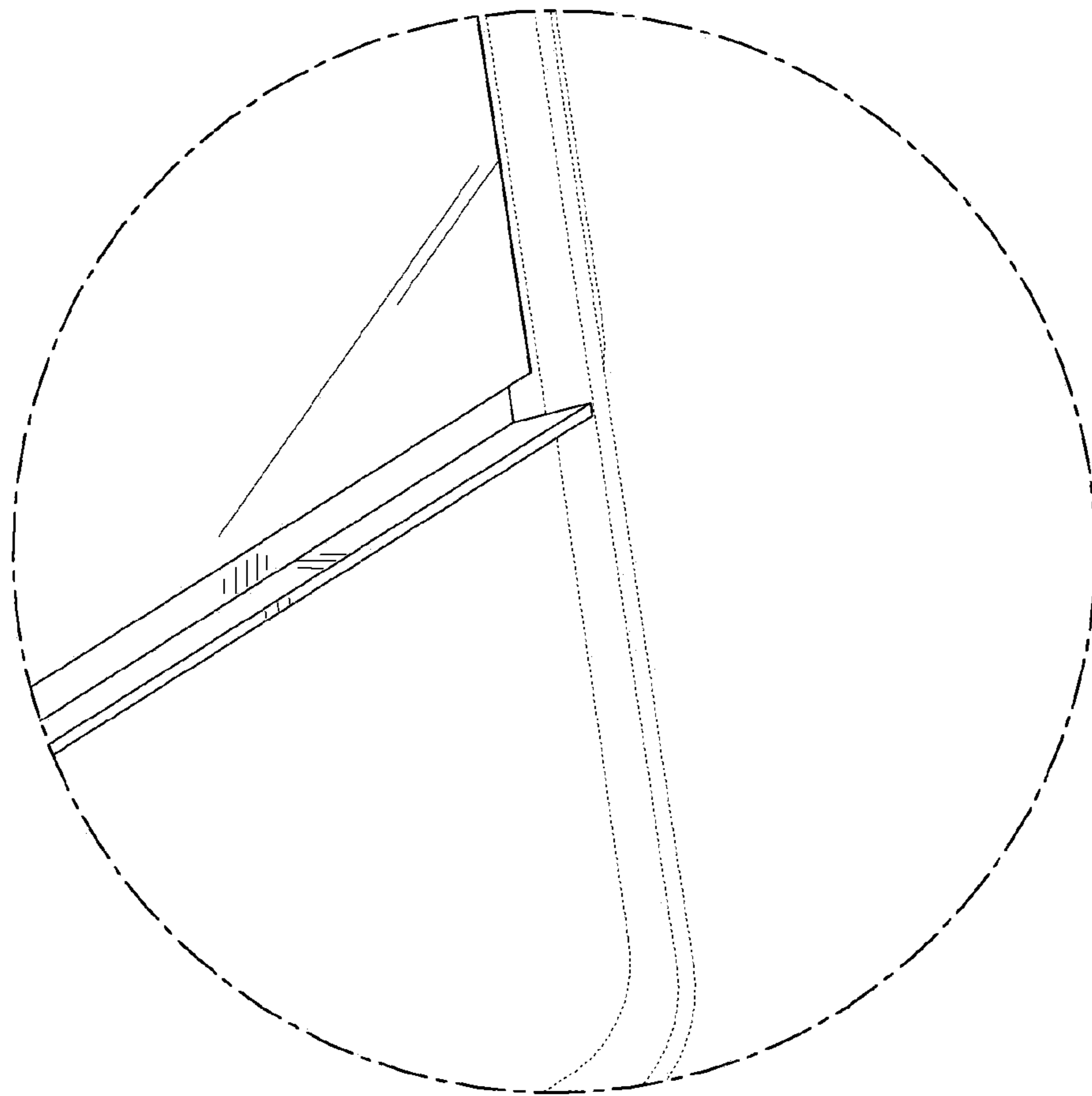


FIG. 10

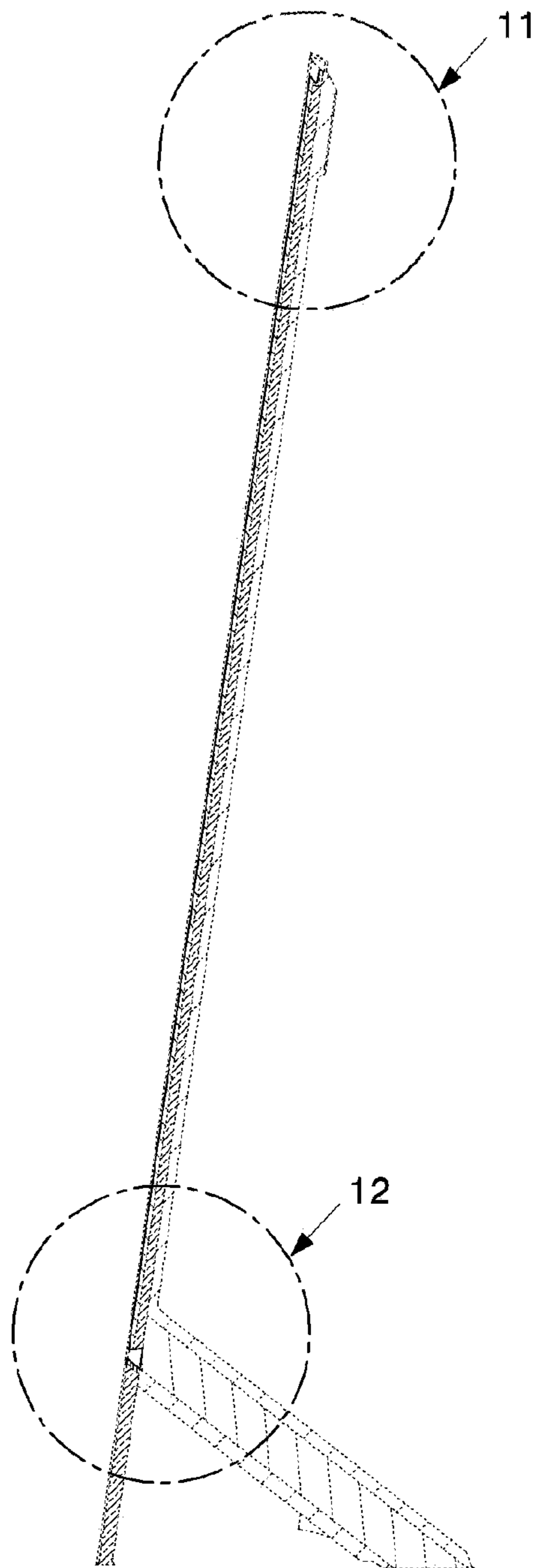


FIG. 11

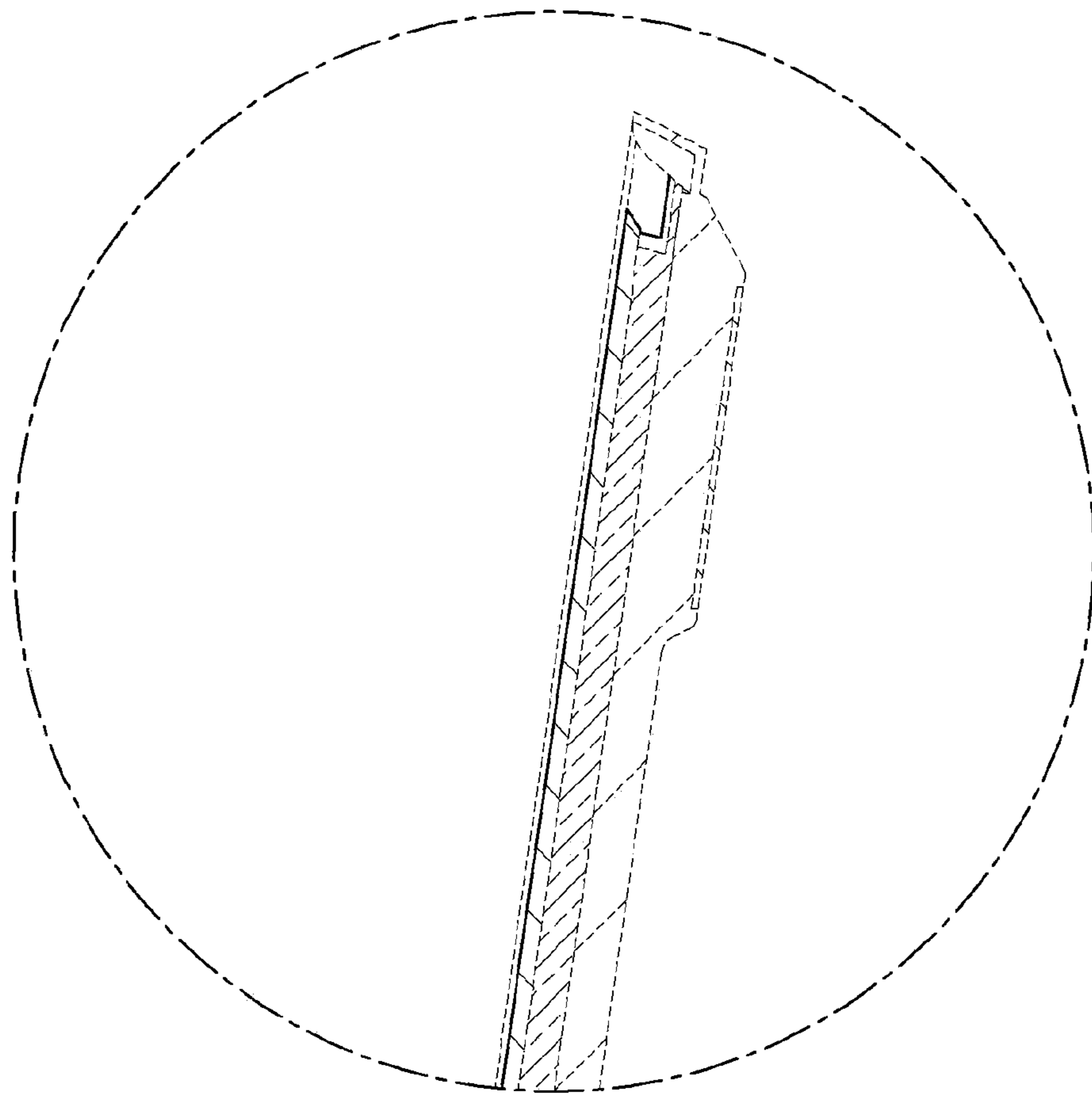


FIG. 12

