

US00D736169S

(12) **United States Design Patent**  
**Kim**

(10) **Patent No.:** **US D736,169 S**

(45) **Date of Patent:** **\*\* Aug. 11, 2015**

(54) **TV RECEIVER**

(71) Applicant: **Samsung Electronics Co., Ltd.**,  
Suwon-si (KR)

(72) Inventor: **Euiseok Kim**, Seongnam-si (KR)

(73) Assignee: **Samsung Electronics Co., Ltd.**,  
Suwon-si (KR)

(\*\*) Term: **14 Years**

(21) Appl. No.: **29/478,451**

(22) Filed: **Jan. 6, 2014**

(30) **Foreign Application Priority Data**

Jul. 5, 2013 (KR) ..... 30-2013-0034532

(51) **LOC (10) Cl.** ..... **14-03**

(52) **U.S. Cl.**  
USPC ..... **D14/126**

(58) **Field of Classification Search**  
USPC ..... D14/125-134, 239, 371, 374-377, 448,  
D14/450, 336, 159; D6/300, 675, 675.1;  
D10/15, 26; D21/329, 331, 333, 515,  
D21/577; 312/7.2; 345/104, 156, 168, 87,  
345/173, 690; 446/484, 175; 273/148 B;  
248/917-924, 274.1, 465; 348/836,  
348/838, 180, 184, 325, 739  
CPC ..... H05K 5/0004; H05K 5/0017; H05K 5/02;  
H05K 5/0216; G06F 1/1601; G06F 1/1643  
See application file for complete search history.

(56) **References Cited**

**U.S. PATENT DOCUMENTS**

D460,056 S \* 7/2002 Niitsu ..... D14/126  
D517,838 S \* 3/2006 Luong ..... D6/477

D539,767 S \* 4/2007 Kang et al. .... D14/128  
D549,194 S \* 8/2007 Fujii ..... D14/126  
D563,341 S \* 3/2008 Takami et al. .... D14/129  
D588,560 S \* 3/2009 Mellingen et al. .... D14/126  
D623,619 S \* 9/2010 Roed et al. .... D14/126  
D637,567 S \* 5/2011 Kim et al. .... D14/126  
D658,142 S \* 4/2012 Chiu ..... D14/129  
D661,124 S \* 6/2012 Curbbun et al. .... D6/396  
8,276,862 B2 \* 10/2012 Eshita et al. .... 248/274.1  
D677,637 S \* 3/2013 Kubota ..... D14/126  
D680,088 S \* 4/2013 Park et al. .... D14/126  
D682,799 S \* 5/2013 Hwang Bo et al. .... D14/126  
8,657,133 B2 \* 2/2014 McGowan et al. .... 211/189  
D713,658 S \* 9/2014 Tio et al. .... D6/675  
D717,753 S \* 11/2014 Totsuka et al. .... D14/126  
D717,756 S \* 11/2014 Park et al. .... D14/126  
D722,033 S \* 2/2015 Kim ..... D14/126  
D723,484 S \* 3/2015 Hwangbo et al. .... D14/126  
D725,947 S \* 4/2015 Tio et al. .... D6/675.1

\* cited by examiner

*Primary Examiner* — Eric Goodman

*Assistant Examiner* — Clese Moore, Jr.

(74) *Attorney, Agent, or Firm* — NSIP Law

(57) **CLAIM**

The ornamental design for a TV receiver, as shown and described.

**DESCRIPTION**

FIG. 1 is a front perspective view of a TV receiver showing my new design;  
FIG. 2 is a front view thereof;  
FIG. 3 is a rear view thereof;  
FIG. 4 is a left-side view thereof;  
FIG. 5 is a right-side view thereof;  
FIG. 6 is a top view thereof;  
FIG. 7 is a bottom view thereof; and,  
FIG. 8 is an exploded perspective view thereof.

**1 Claim, 8 Drawing Sheets**

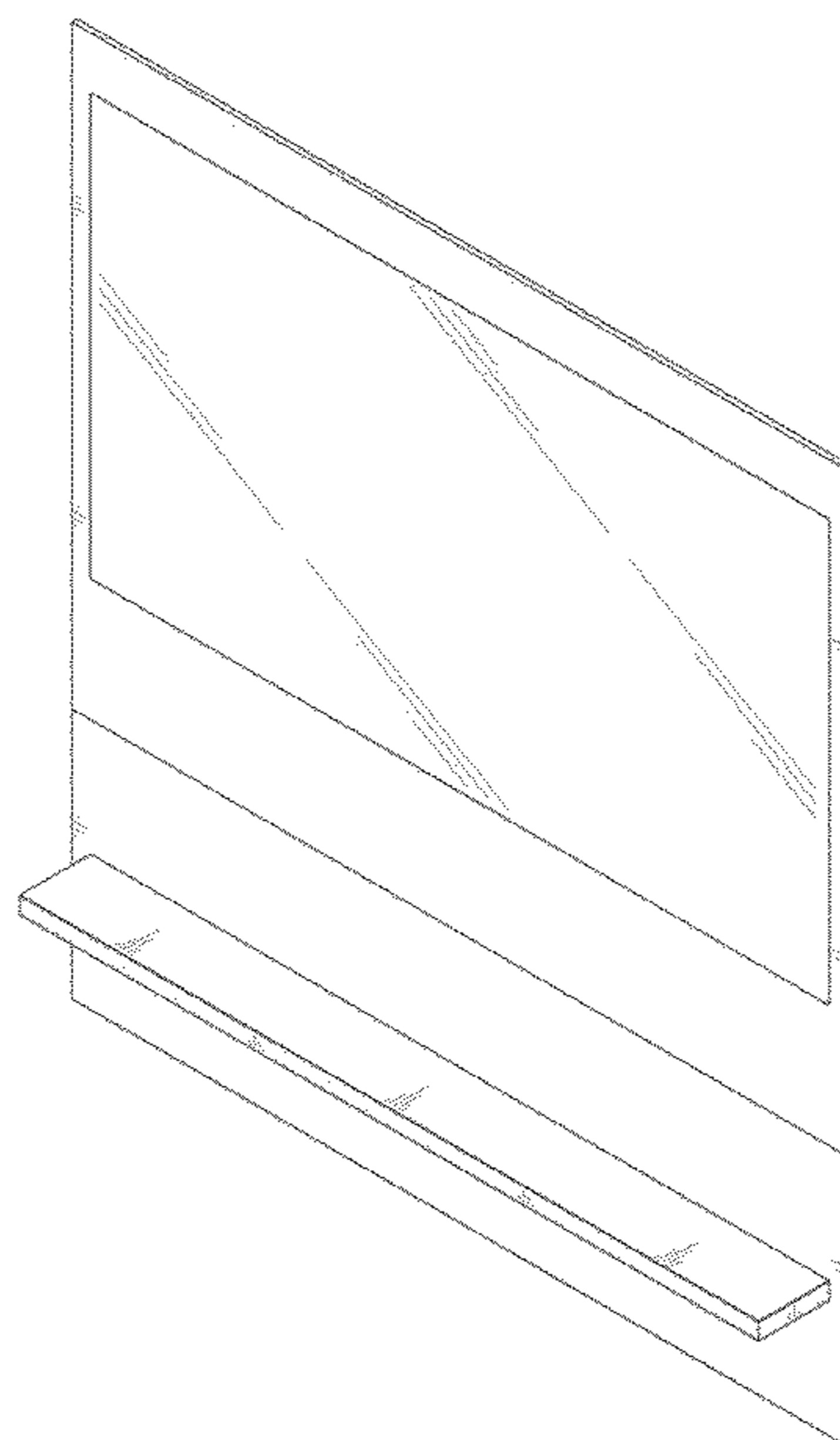


FIG. 1

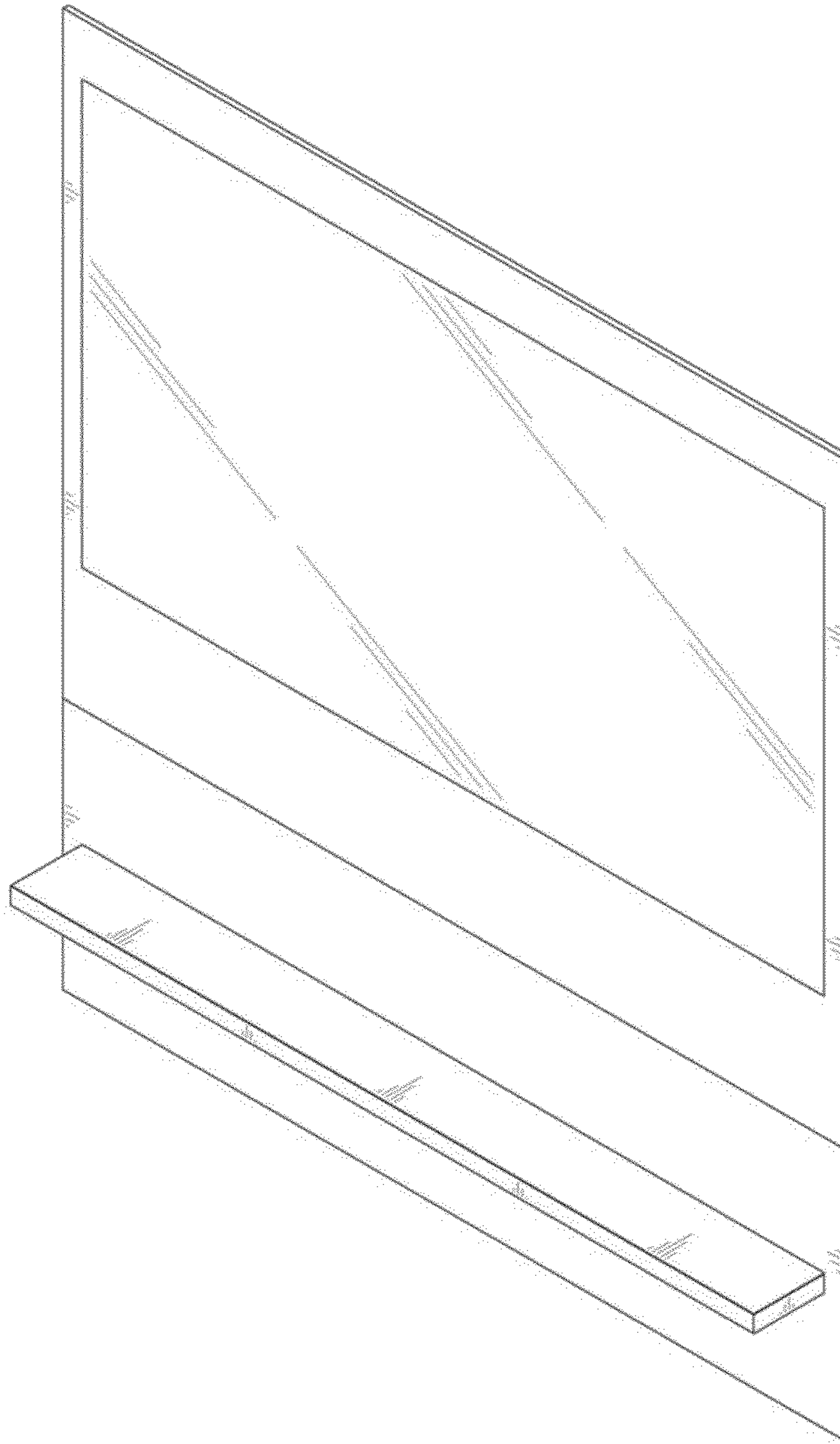


FIG. 2

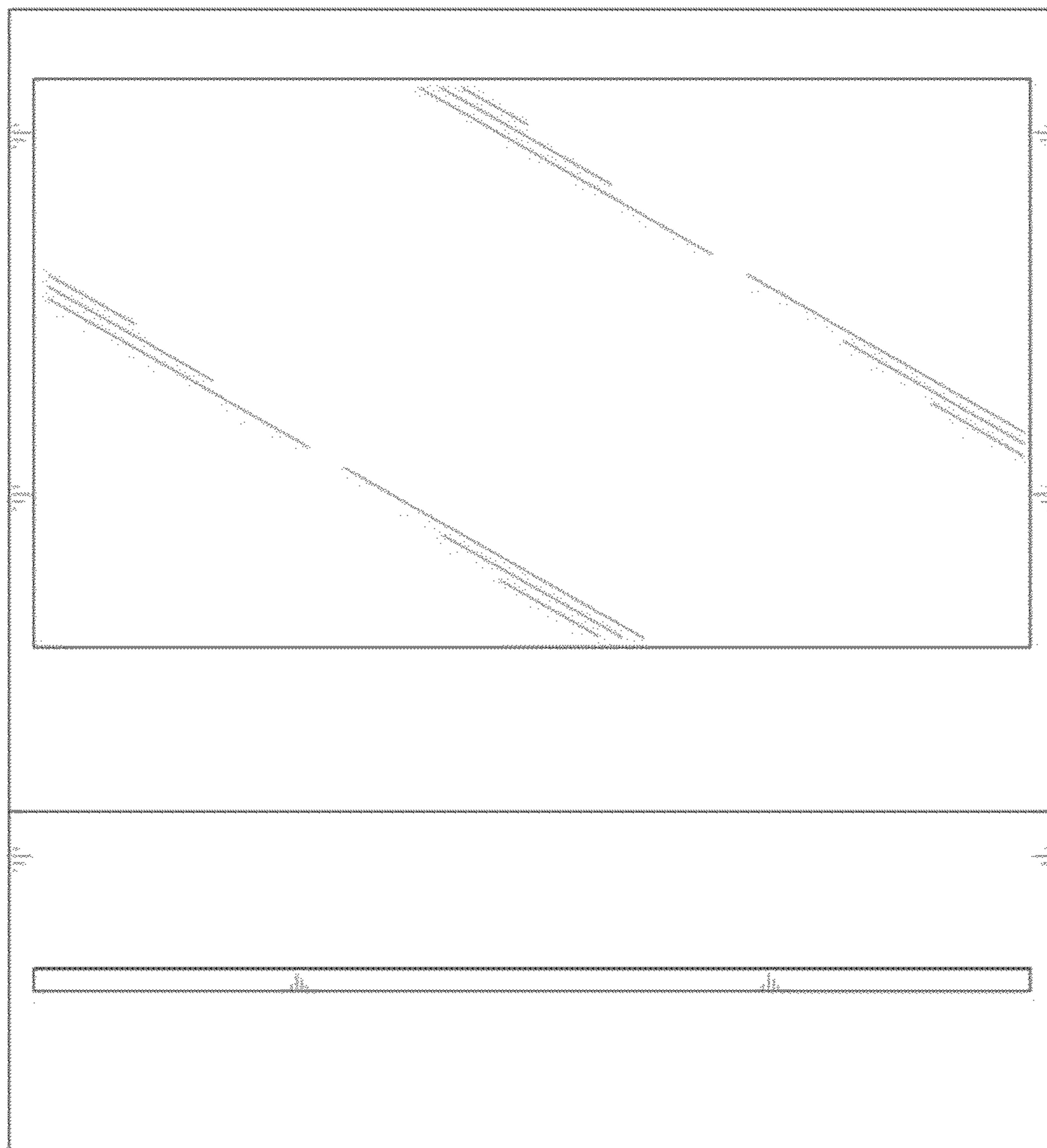


FIG. 3

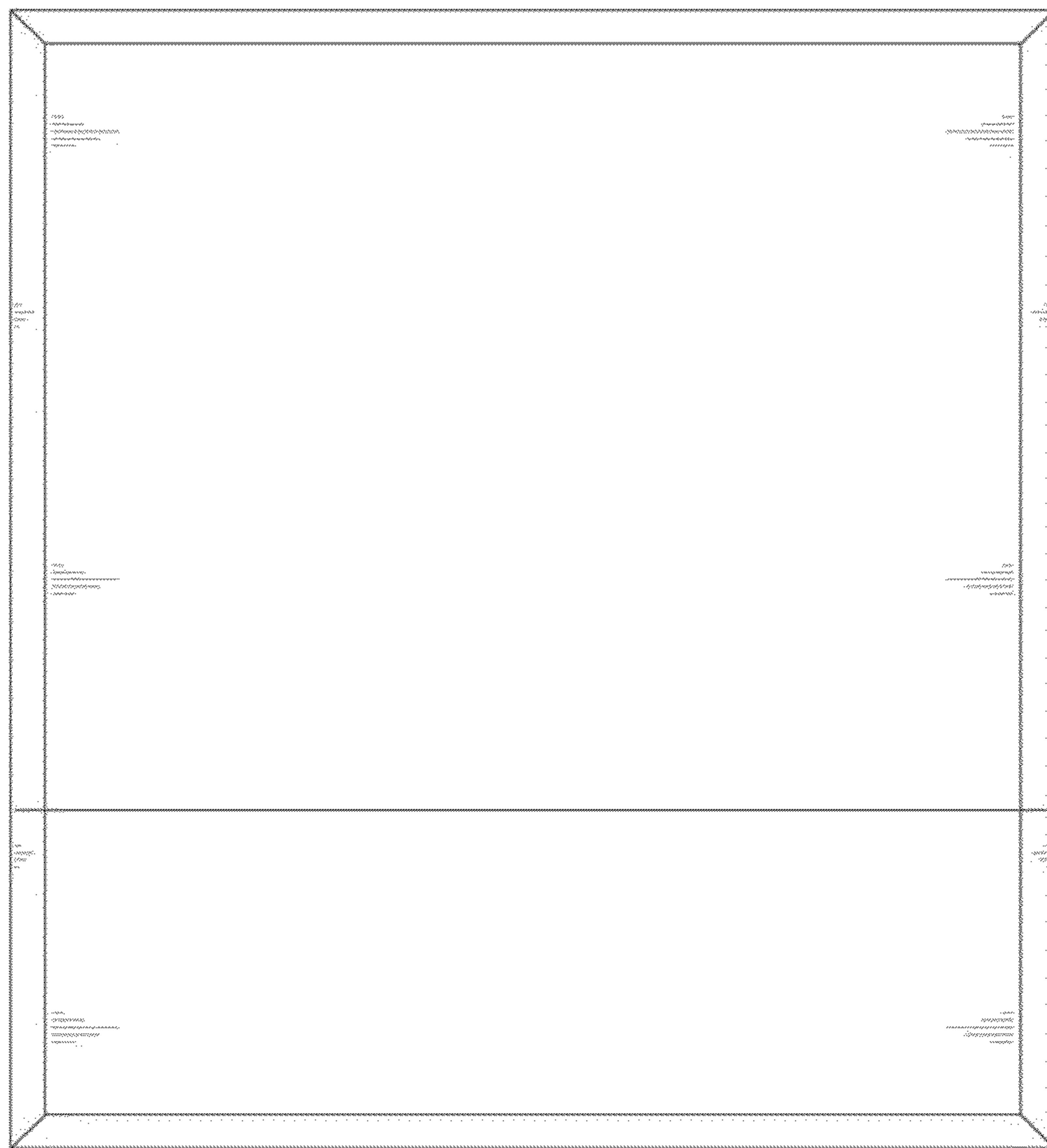


FIG. 4

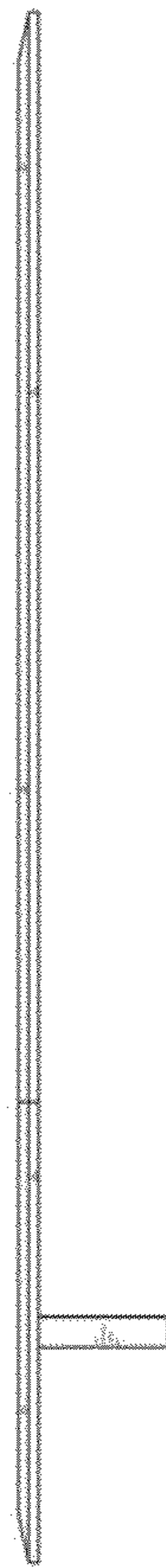


FIG. 5

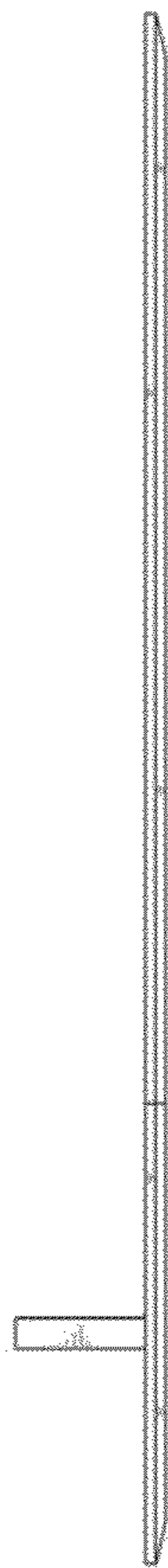


FIG. 6

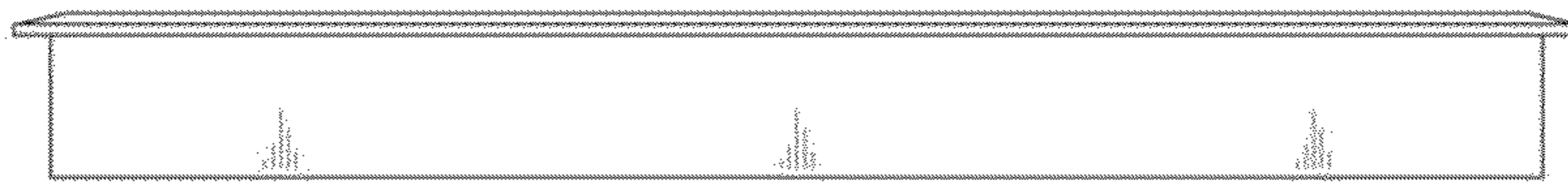


FIG. 7

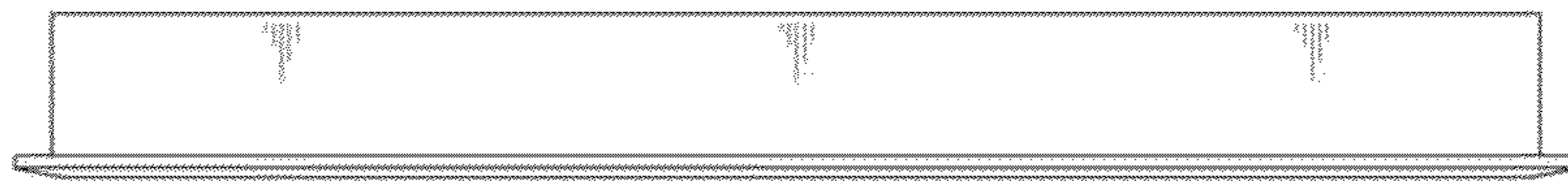




FIG. 8

