



US00D736166S

(12) **United States Design Patent**
Kuh et al.

(10) **Patent No.:** **US D736,166 S**

(45) **Date of Patent:** **** Aug. 11, 2015**

(54) **DATA RECEPTION DEVICE(DATA PROCESSING)**

(56) **References Cited**

U.S. PATENT DOCUMENTS

(71) Applicant: **British Sky Broadcasting Limited**
(72) Inventors: **Christopher Kuh**, San Francisco, CA (US); **Brett Wickens**, San Francisco, CA (US); **Vivian Wu**, San Francisco, CA (US)

D391,944 S *	3/1998	Han	D14/356
D465,469 S *	11/2002	Heath	D14/167
D638,001 S *	5/2011	Nakhjiri et al.	D14/242
D648,329 S *	11/2011	Woo et al.	D14/225
D658,640 S *	5/2012	Ivaskevicius	D14/242
D669,027 S *	10/2012	Kumpula et al.	D13/108
D675,217 S *	1/2013	Lee	D14/480.6
D677,438 S *	3/2013	Miller et al.	D30/152
D685,790 S *	7/2013	Tang	D14/388
D685,808 S *	7/2013	Billington	D14/480.6

(73) Assignee: **British Sky Broadcasting Limited (GB)**

* cited by examiner

(**) Term: **14 Years**

Primary Examiner — Randall Gholson

(21) Appl. No.: **29/470,014**

(74) *Attorney, Agent, or Firm* — Kilpatrick Townsend & Stockton LLP

(22) Filed: **Oct. 16, 2013**

(57) **CLAIM**

(30) **Foreign Application Priority Data**

The ornamental design for a data reception device (data processing), as shown and described.

Apr. 16, 2013 (EP) 001368690

DESCRIPTION

(51) **LOC (10) Cl.** **14-03**

FIG. 1 is a perspective view of a data reception device (data processing) showing my new design; FIG. 2 is a top plan view thereof; FIG. 3 is a front elevational view thereof; FIG. 4 is a right side view thereof; FIG. 5 is a rear elevational view thereof; FIG. 6 is a bottom plan view thereof; and, FIG. 7 is a left side elevational view thereof.

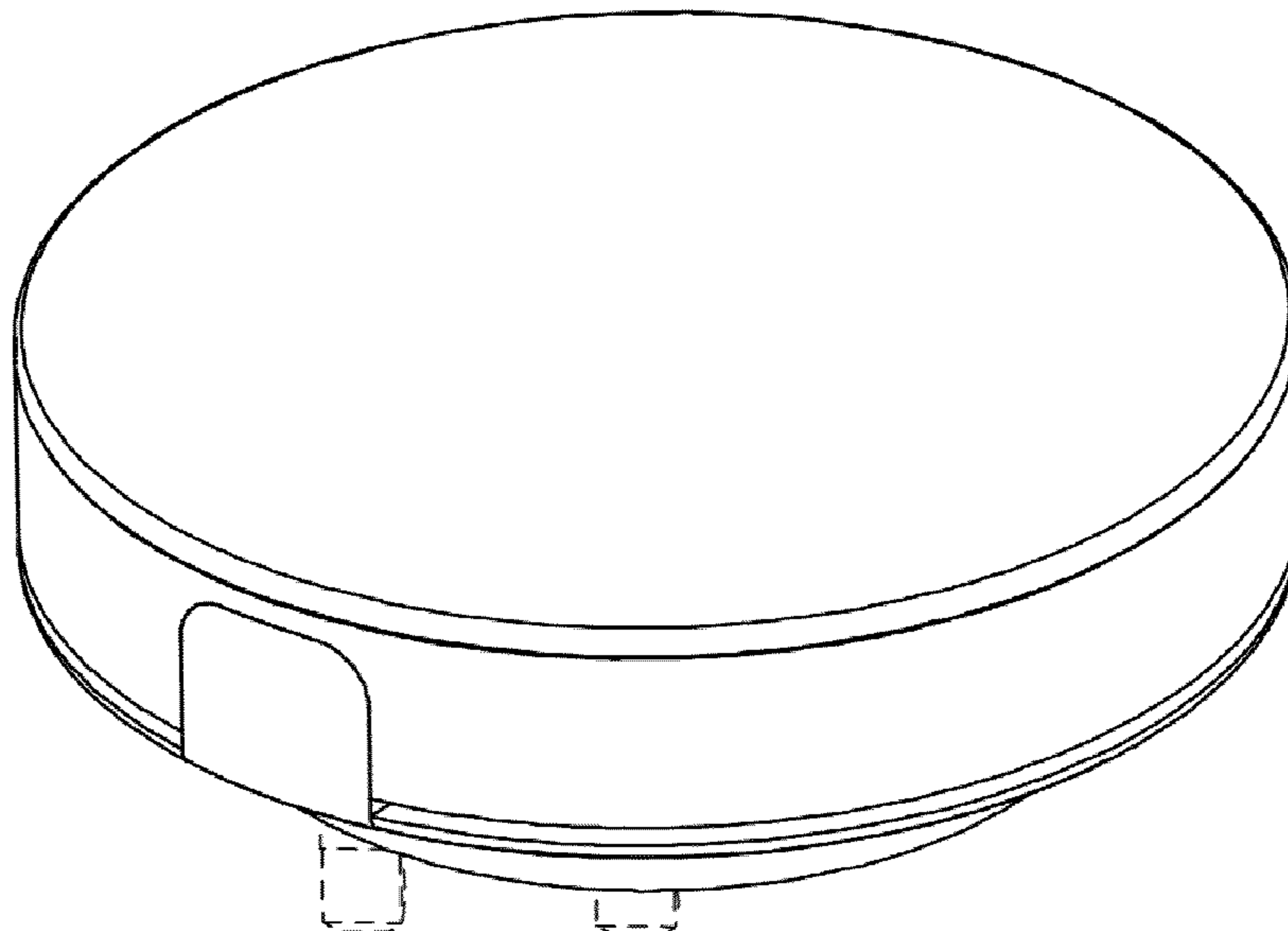
(52) **U.S. Cl.**
USPC **D14/125**

(58) **Field of Classification Search**
USPC D14/125, 357-358, 496, 188, 242, 432;
D13/184; 348/10, 460, 706, 731;
340/825.03; 455/6.1, 6.2; 312/223.1,
312/7.2
CPC H04L 1/00

The broken lines shown in the drawings show unclaimed portions of the data reception device (data processing) only and form no part of the claimed design.

See application file for complete search history.

1 Claim, 4 Drawing Sheets



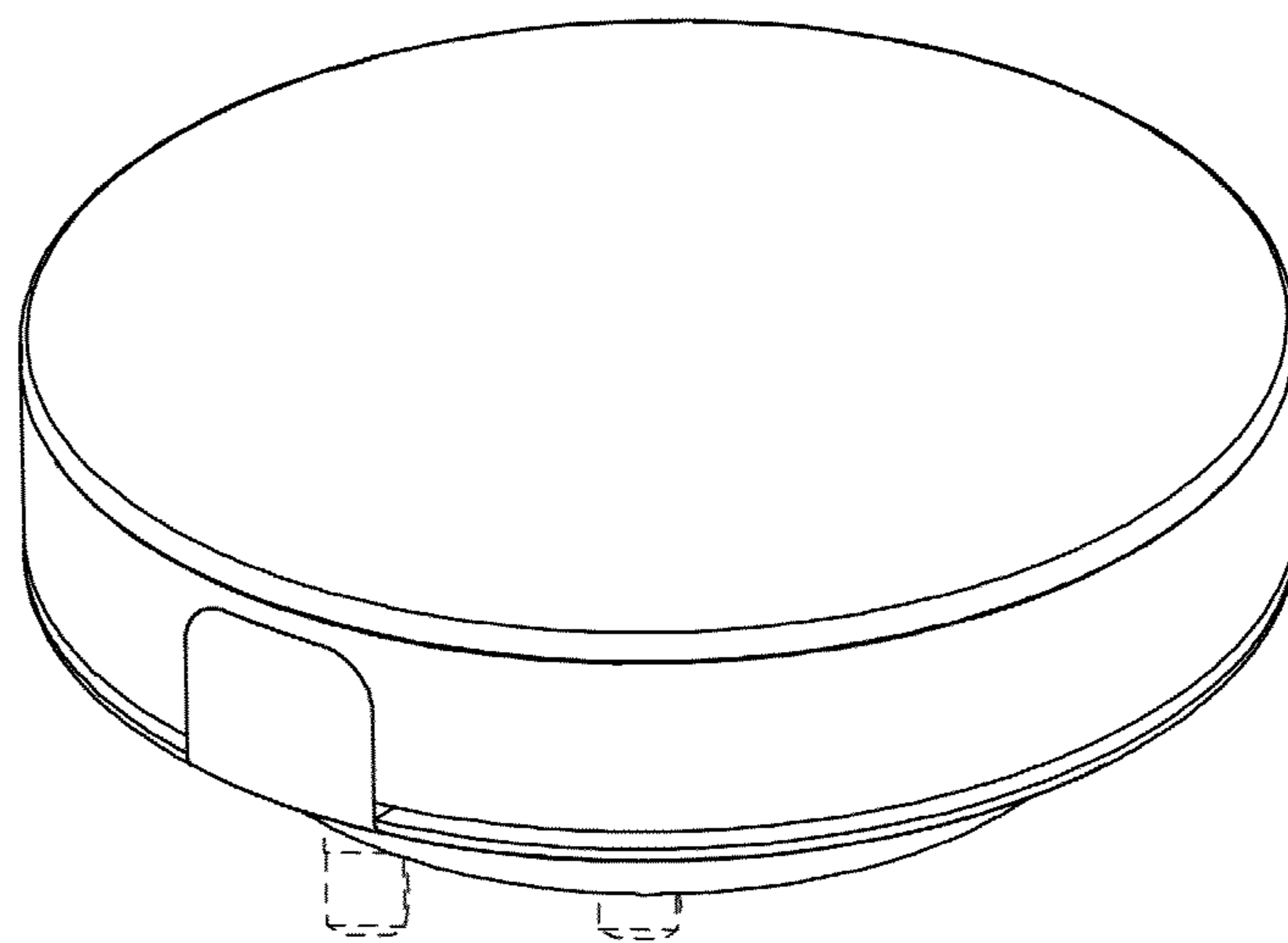


FIG. 1

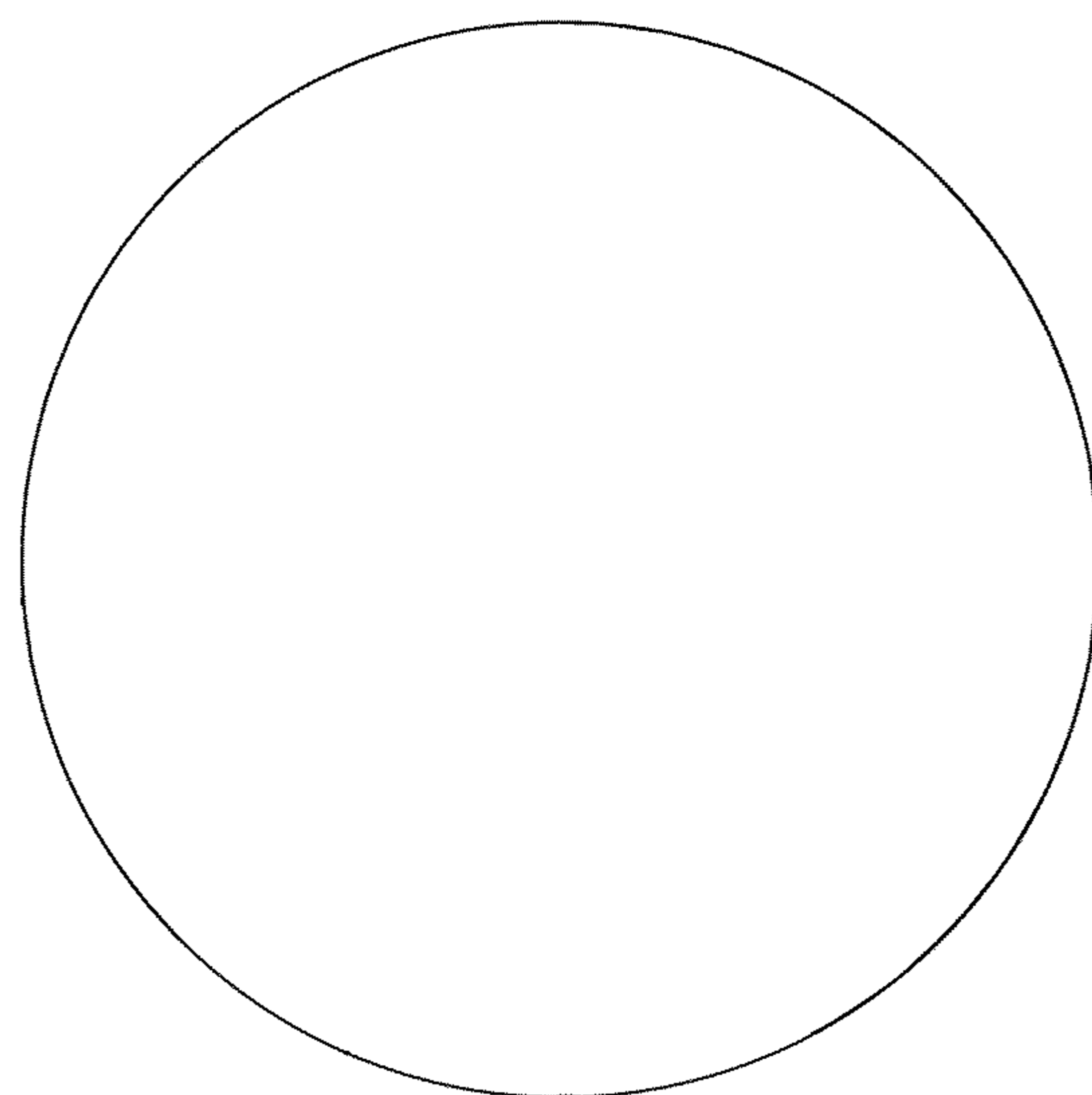


FIG. 2

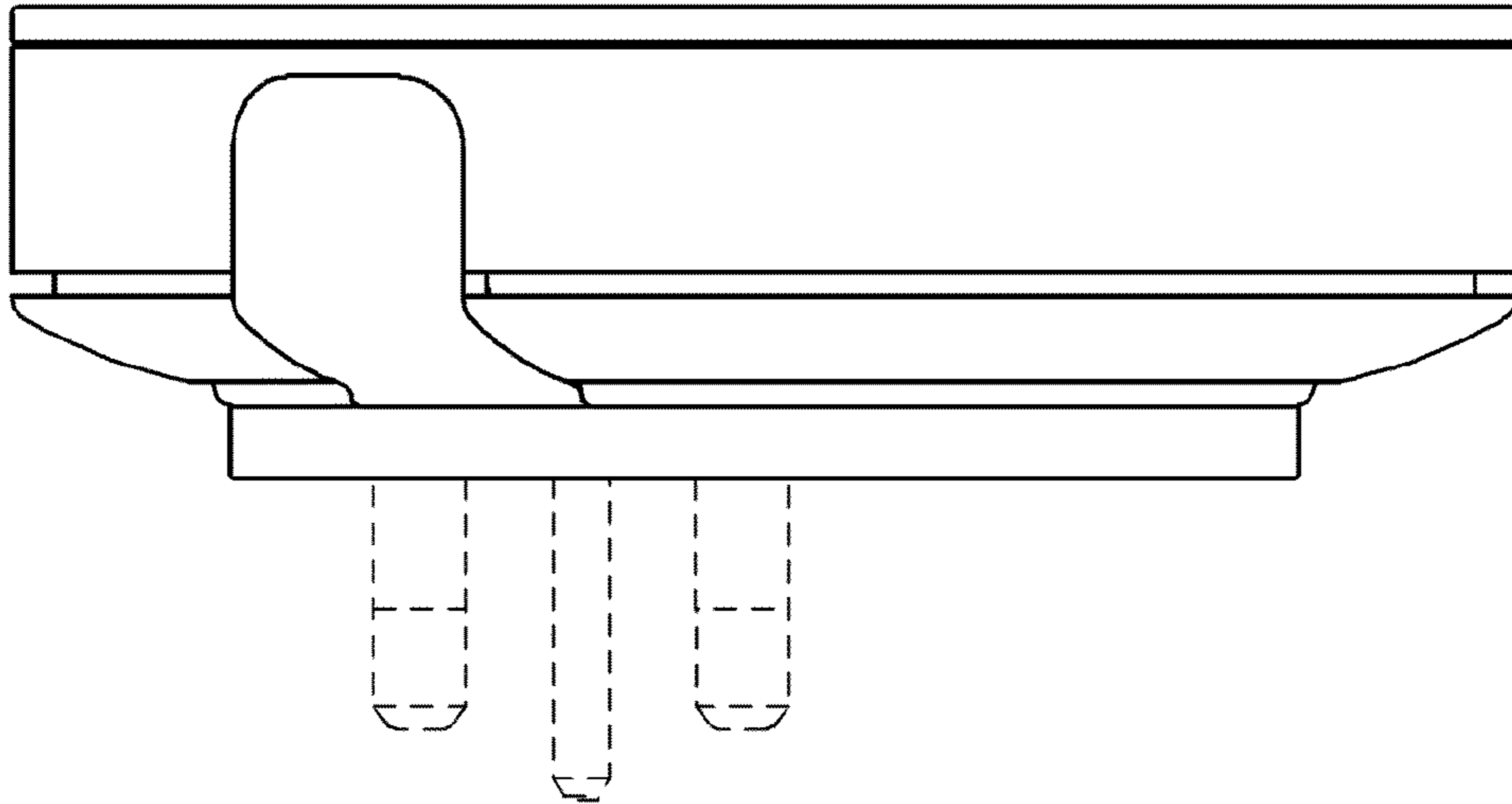


FIG. 3

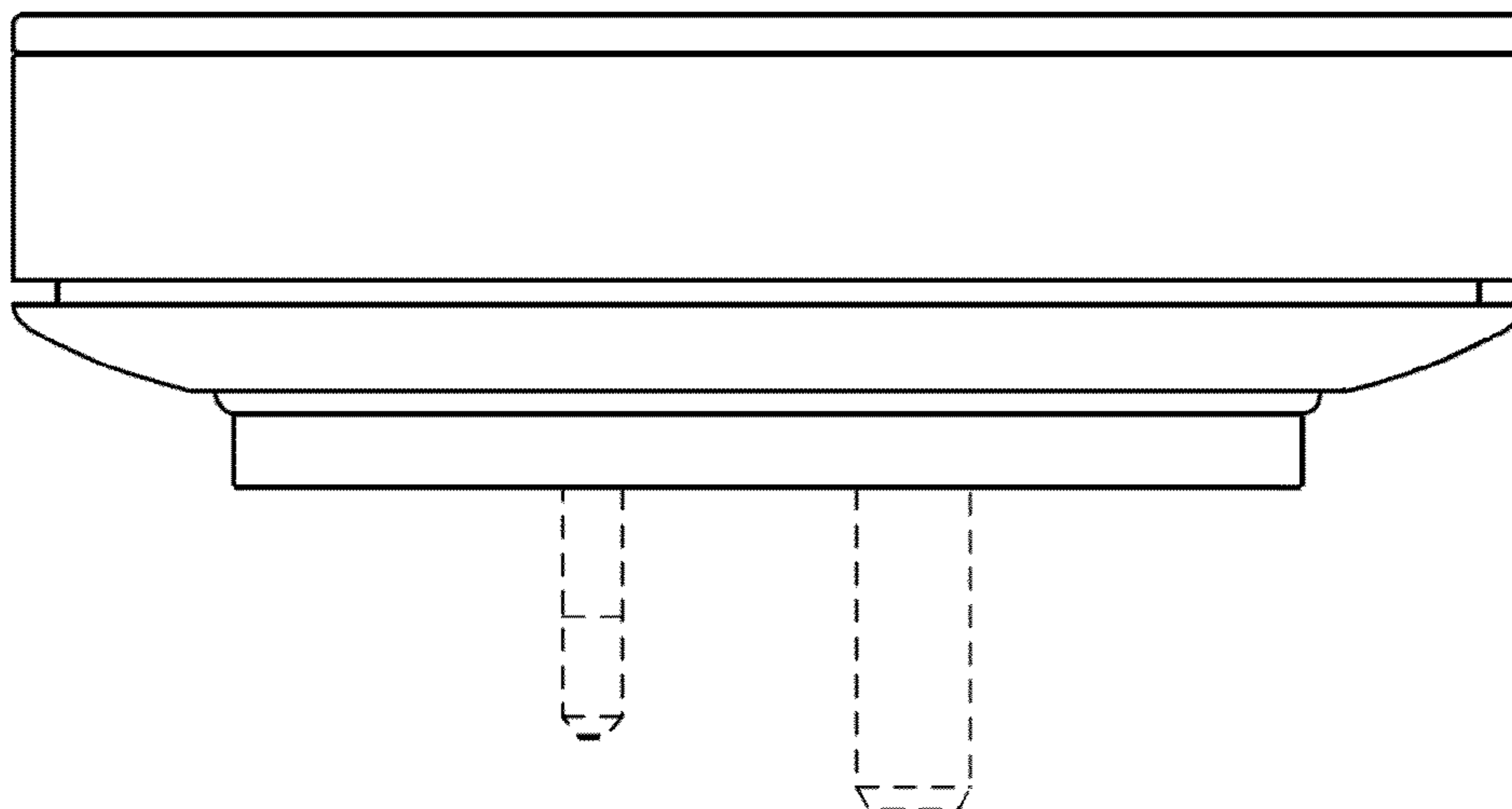


FIG. 4

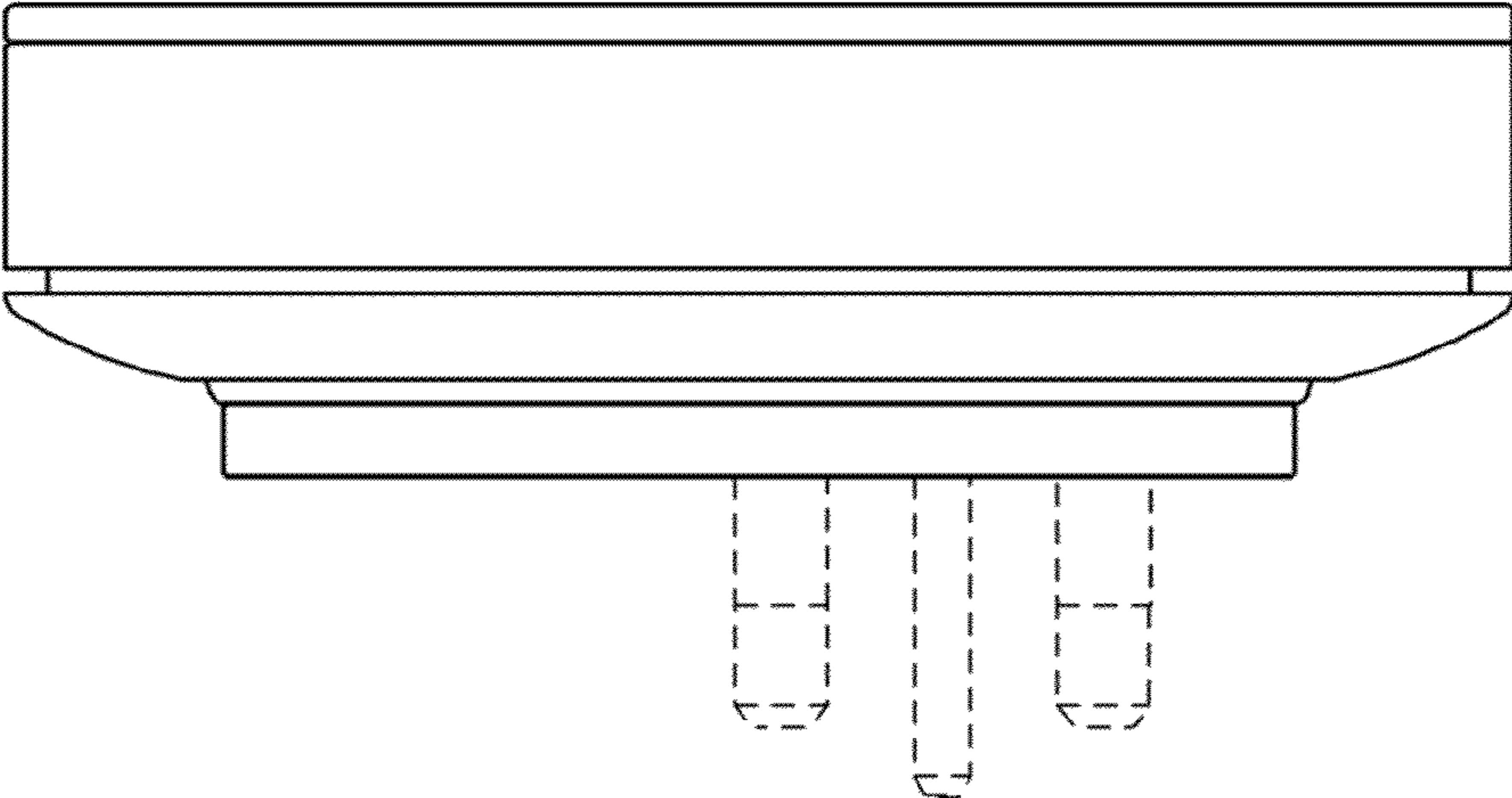


FIG. 5

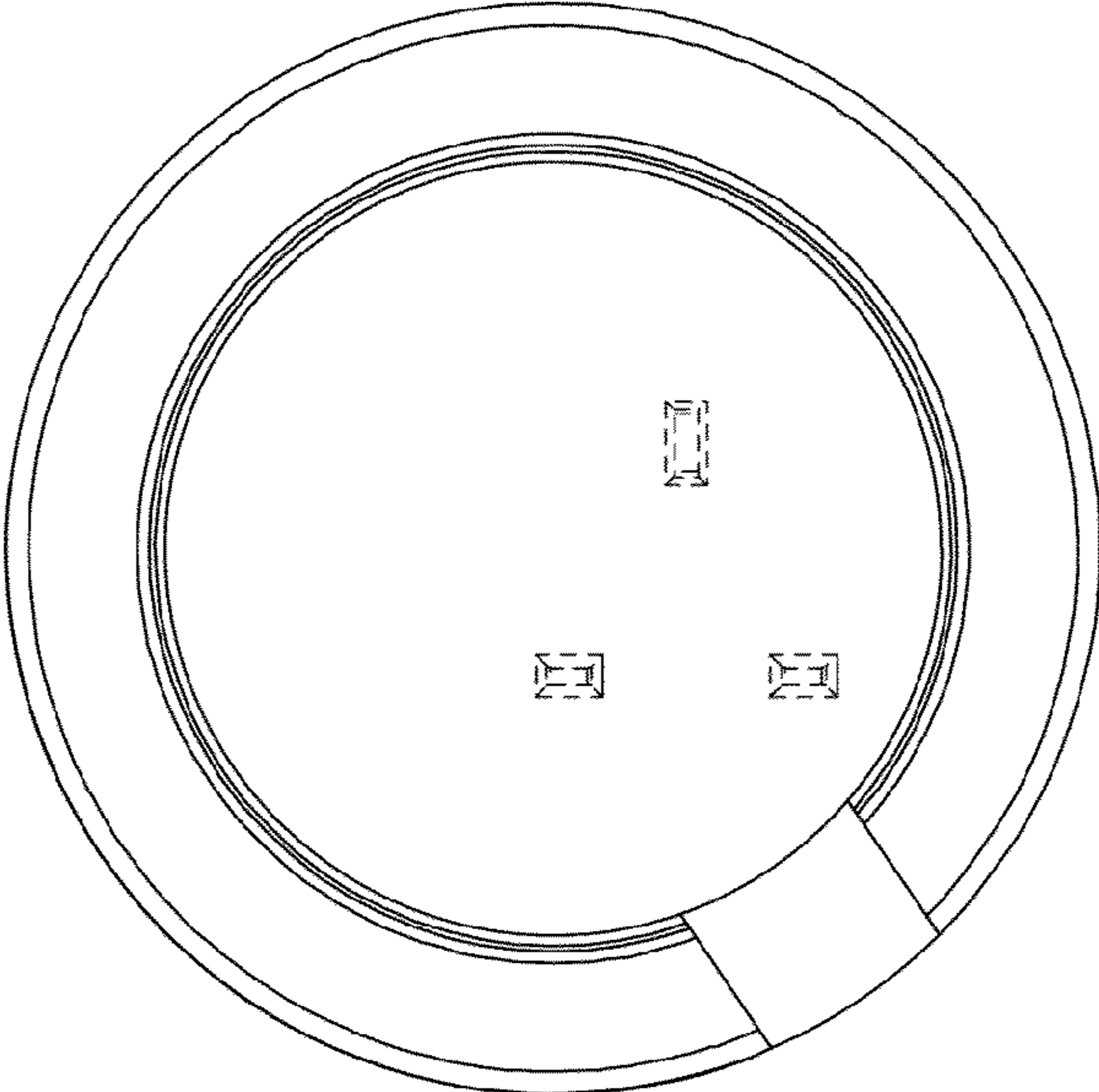


FIG. 6

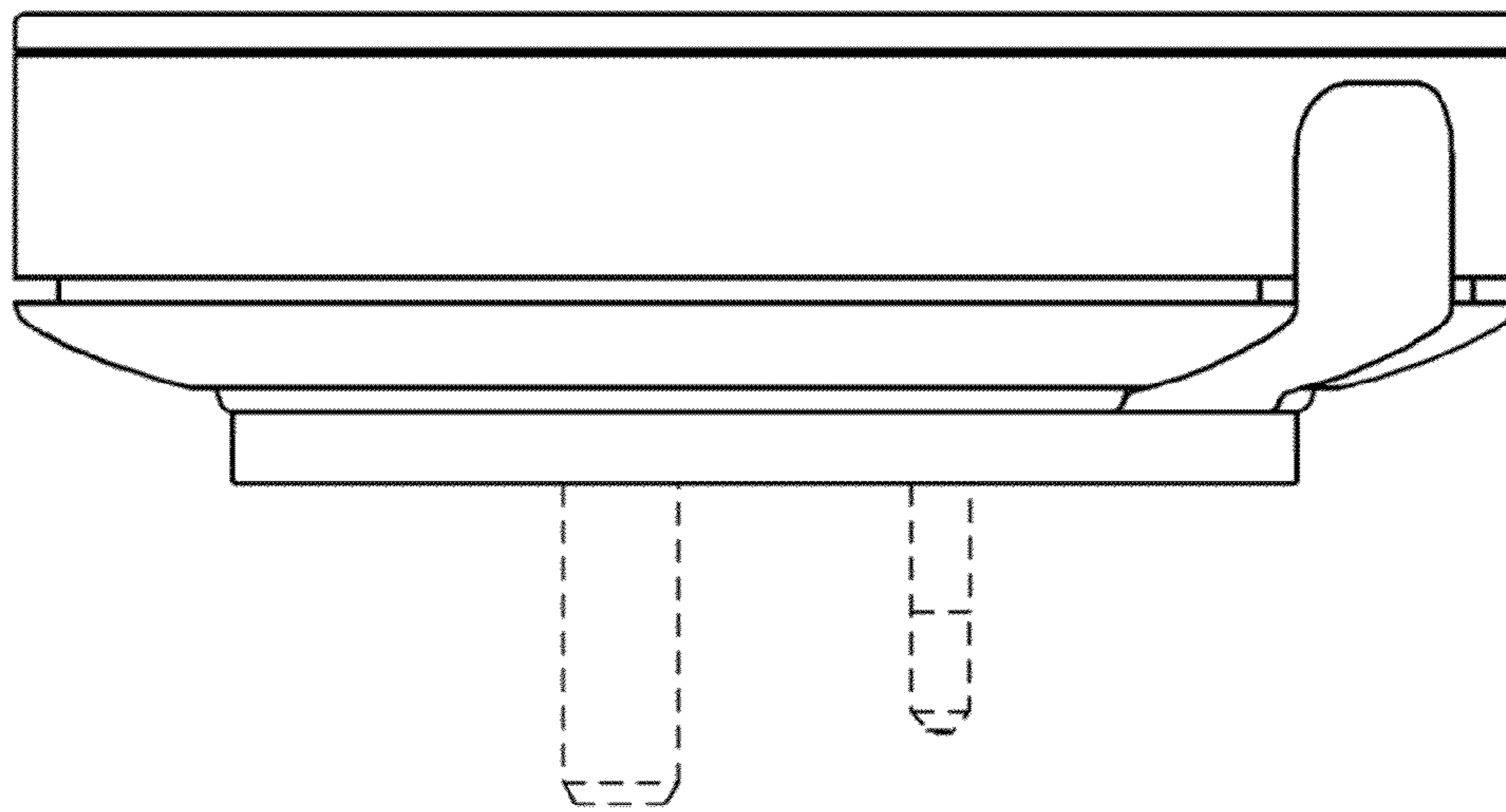


FIG. 7

UNITED STATES PATENT AND TRADEMARK OFFICE
CERTIFICATE OF CORRECTION

PATENT NO. : D736,166 S
APPLICATION NO. : 29/470014
DATED : August 11, 2015
INVENTOR(S) : Christopher Kuh et al.

Page 1 of 1

It is certified that error appears in the above-identified patent and that said Letters Patent is hereby corrected as shown below:

ON THE TITLE PAGE

In the Title of the patent, Item (54), please delete:
“DEVICE(DATA” and insert therefor --DEVICE (DATA--.

Signed and Sealed this
Ninth Day of February, 2016



Michelle K. Lee
Director of the United States Patent and Trademark Office