



US00D736165S

(12) **United States Design Patent**  
**Sakai**

(10) **Patent No.:** **US D736,165 S**

(45) **Date of Patent:** **\*\* Aug. 11, 2015**

(54) **REMOTE CONTROLLER**

(71) Applicant: **Yuki Sakai**, Chiyoda-ku (JP)

(72) Inventor: **Yuki Sakai**, Chiyoda-ku (JP)

(73) Assignee: **Mitsubishi Electric Corporation**,  
Tokyo (JP)

(\*\*) Term: **14 Years**

(21) Appl. No.: **29/440,811**

(22) Filed: **Dec. 27, 2012**

(30) **Foreign Application Priority Data**

Jul. 17, 2012 (JP) ..... 2012-016884

(51) **LOC (10) Cl.** ..... **14-03**

(52) **U.S. Cl.**  
USPC ..... **D13/168**

(58) **Field of Classification Search**  
USPC ..... D13/168; D25/43; 340/4.3, 4.42, 12.22,  
340/12.23, 12.24, 12.29, 12.3, 12.55, 13.2,  
340/13.21, 13.24; 341/176; 345/169;  
348/734; 455/352; 700/17, 65, 83, 278;  
256/59, 65.07

See application file for complete search history.

(56) **References Cited**

**U.S. PATENT DOCUMENTS**

3,007,678 A \* 11/1961 Buehler ..... 256/65.07  
D330,434 S \* 10/1992 Watters ..... D25/136  
5,377,958 A \* 1/1995 Palmer ..... 256/59  
D431,232 S \* 9/2000 Yokoyama et al. .... D14/128  
6,112,424 A \* 9/2000 Friend ..... 33/527  
D478,894 S \* 8/2003 Oikawa ..... D14/218  
D514,236 S \* 1/2006 Glatz ..... D25/136  
D518,744 S \* 4/2006 Rosen ..... D10/50

D574,088 S \* 7/2008 Kercher, III ..... D25/164  
D582,802 S \* 12/2008 Branson et al. .... D10/50  
D583,083 S \* 12/2008 Stackenwalt et al. .... D25/136  
D630,169 S \* 1/2011 Nakai et al. .... D13/168  
D635,556 S \* 4/2011 Suzuki ..... D14/218  
D642,383 S \* 8/2011 Parisi et al. .... D6/300  
D665,513 S \* 8/2012 Engel ..... D25/113  
D678,218 S \* 3/2013 Sheen ..... D13/168  
D678,219 S \* 3/2013 Higashijima et al. .... D13/168  
D696,636 S \* 12/2013 Sakai ..... D13/168  
2009/0038250 A1 \* 2/2009 Frenkil ..... 52/447

\* cited by examiner

*Primary Examiner* — Selina Sikder

(74) *Attorney, Agent, or Firm* — Sughrue Mion, PLLC

(57) **CLAIM**

The ornamental design for a remote controller, as shown and described.

**DESCRIPTION**

FIG. 1 is a front, top and right side perspective view of a remote controller, showing my new design;  
FIG. 2 is a rear, bottom and left side perspective view thereof;  
FIG. 3 is a front elevational view thereof;  
FIG. 4 is a rear elevational view thereof;  
FIG. 5 is a left side elevational view thereof;  
FIG. 6 is a right side elevational view thereof;  
FIG. 7 is a top plan view thereof;  
FIG. 8 is a bottom plan view thereof; and,  
FIG. 9 is a reference vertical cross-sectional view thereof; taken in the direction of line 9-9 in FIG. 3, with broken line disclosure of internal elements understood to represent unclaimed portions of the article in which the claimed design is embodied.

The broken lines in all views are shown for illustrative purposes only and form no part of the claimed design.

**1 Claim, 7 Drawing Sheets**

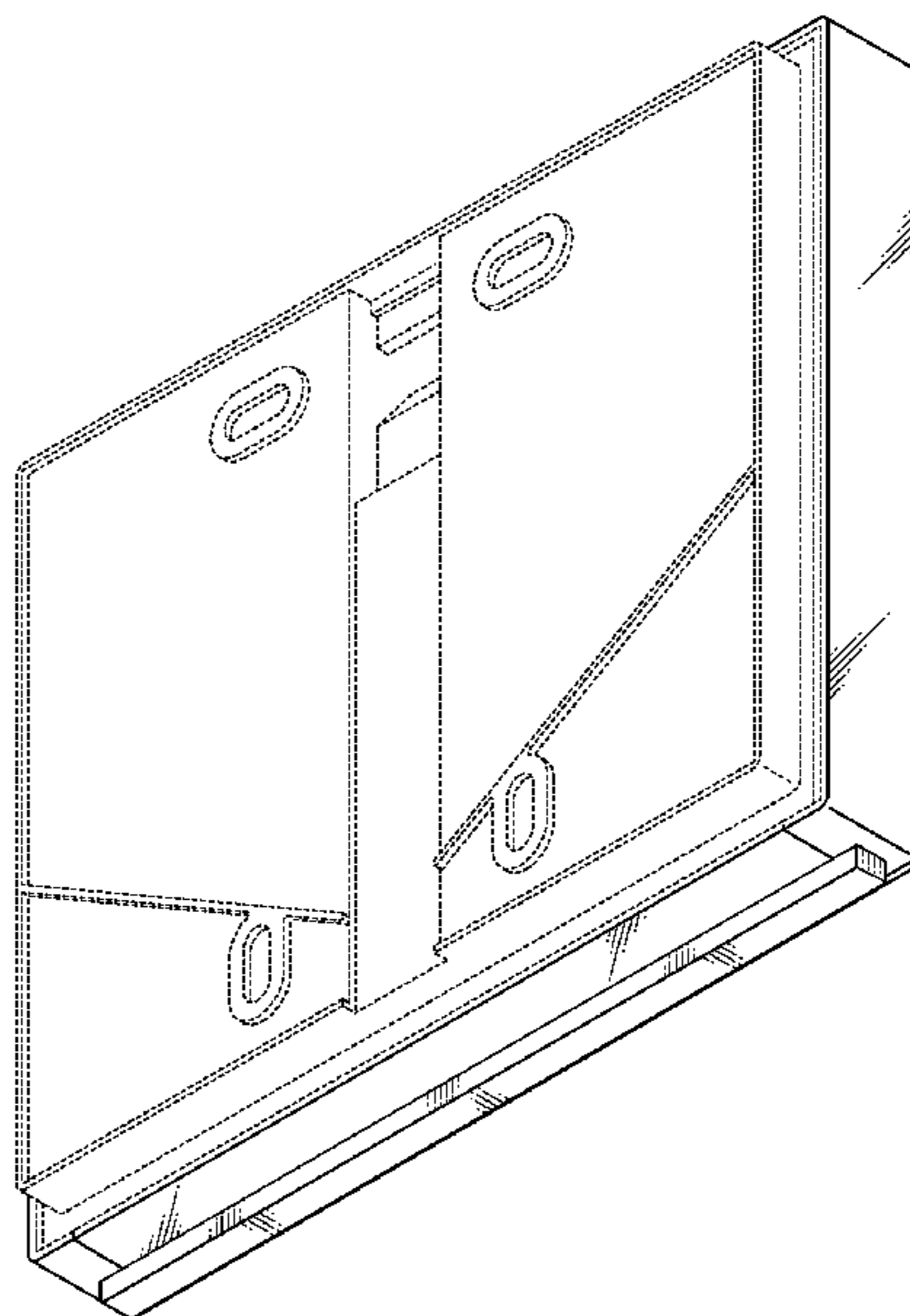
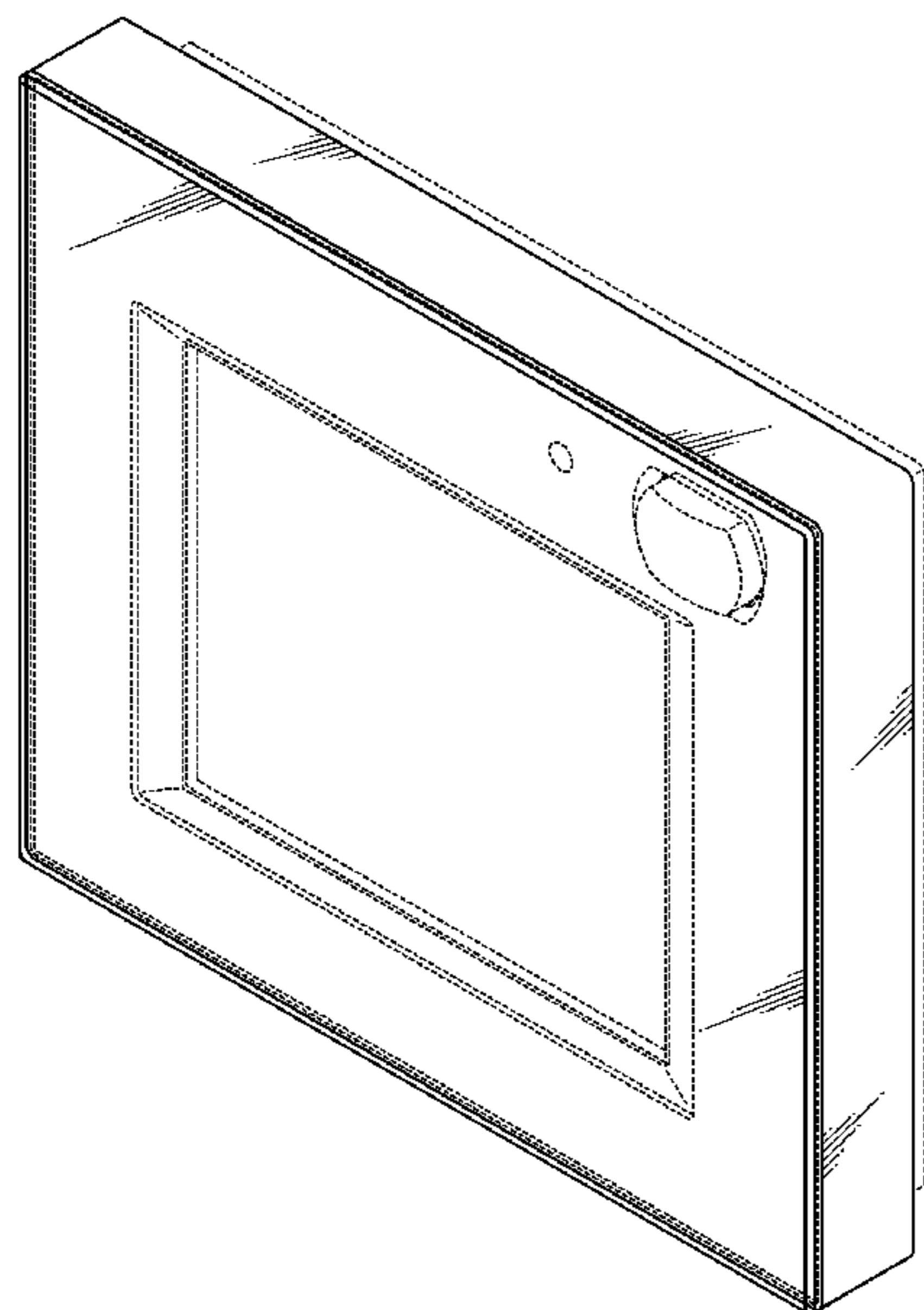


Fig. 1

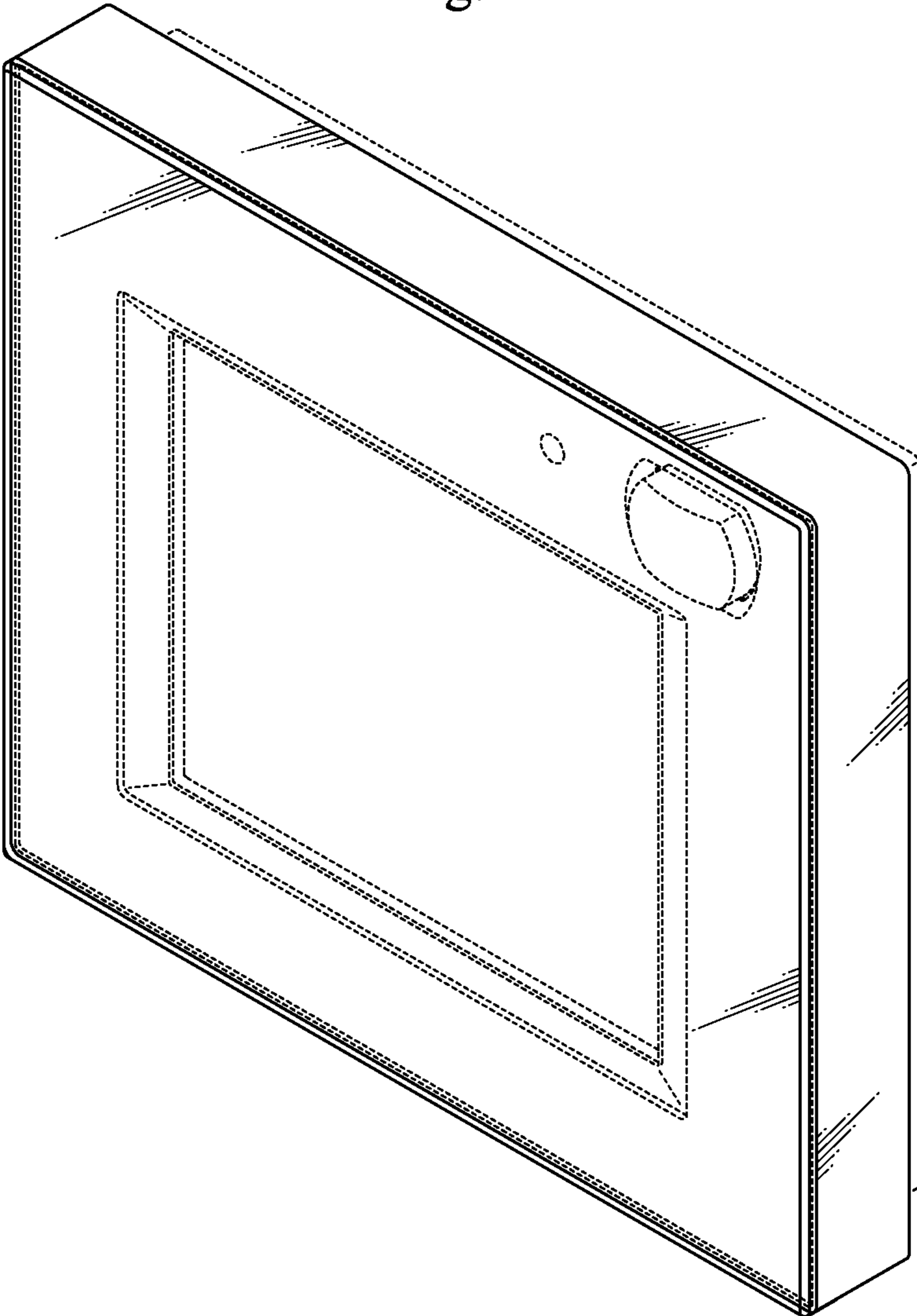


Fig. 2

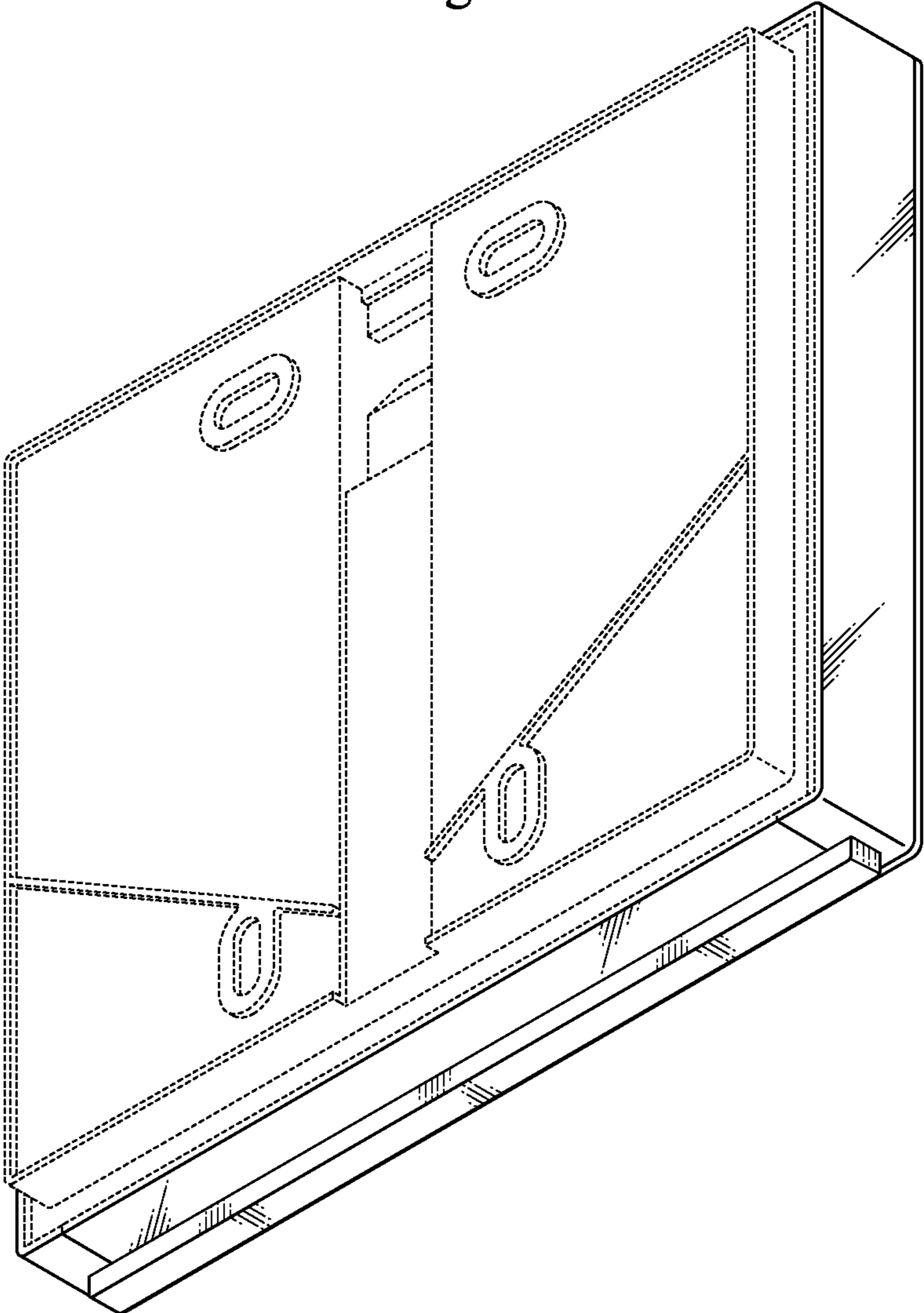


Fig. 3

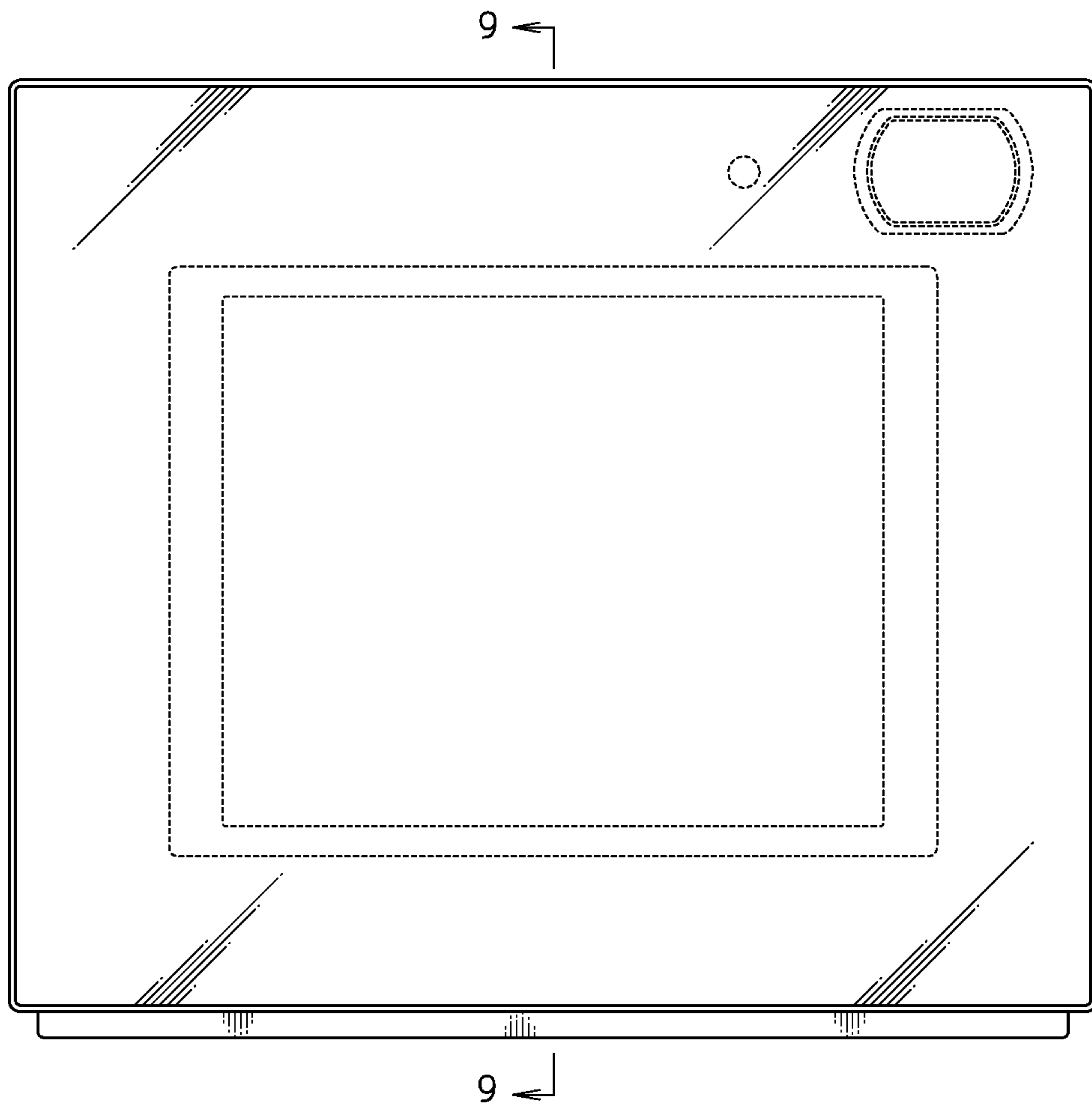


Fig. 4

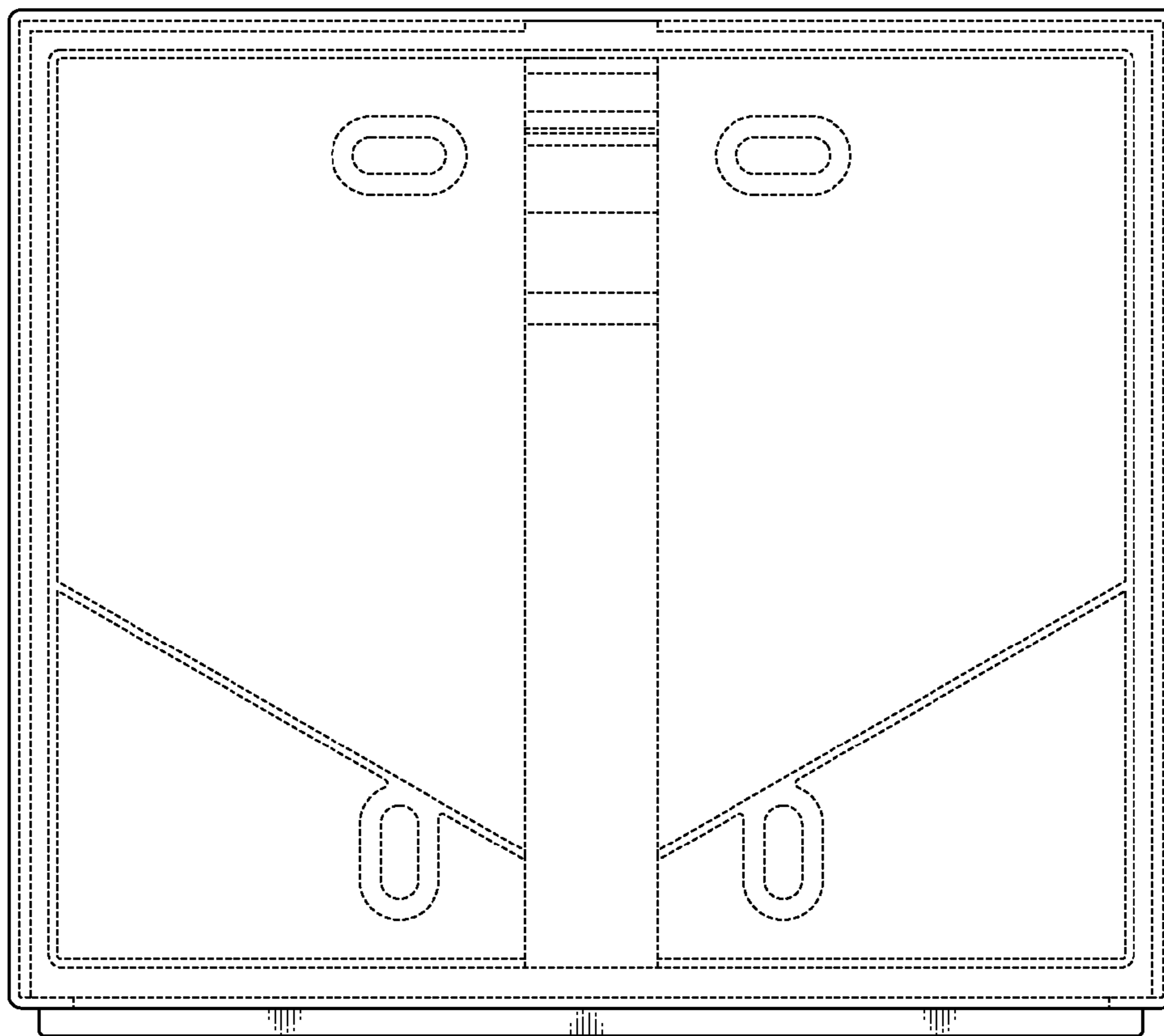


Fig. 5

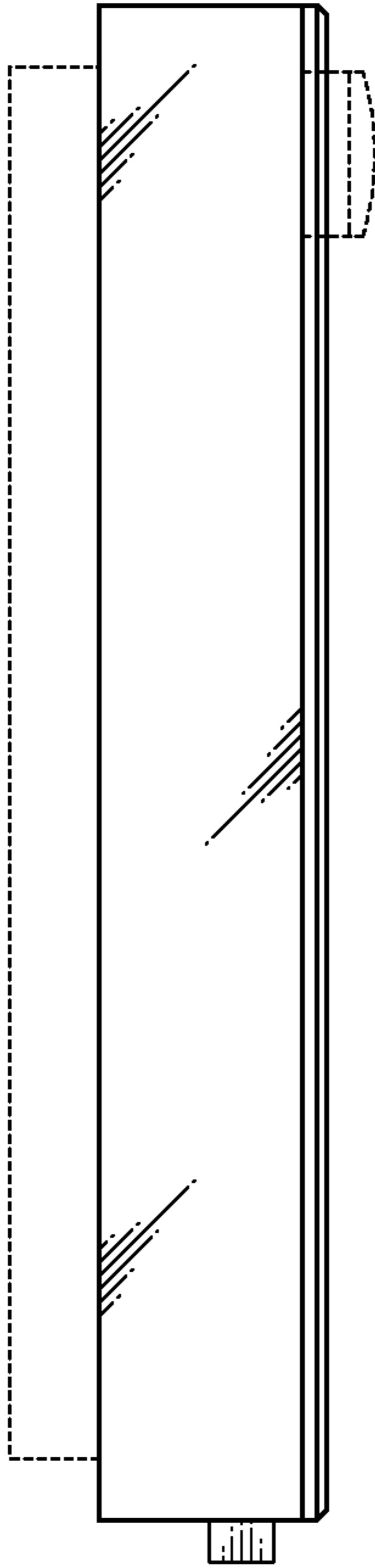


Fig. 6

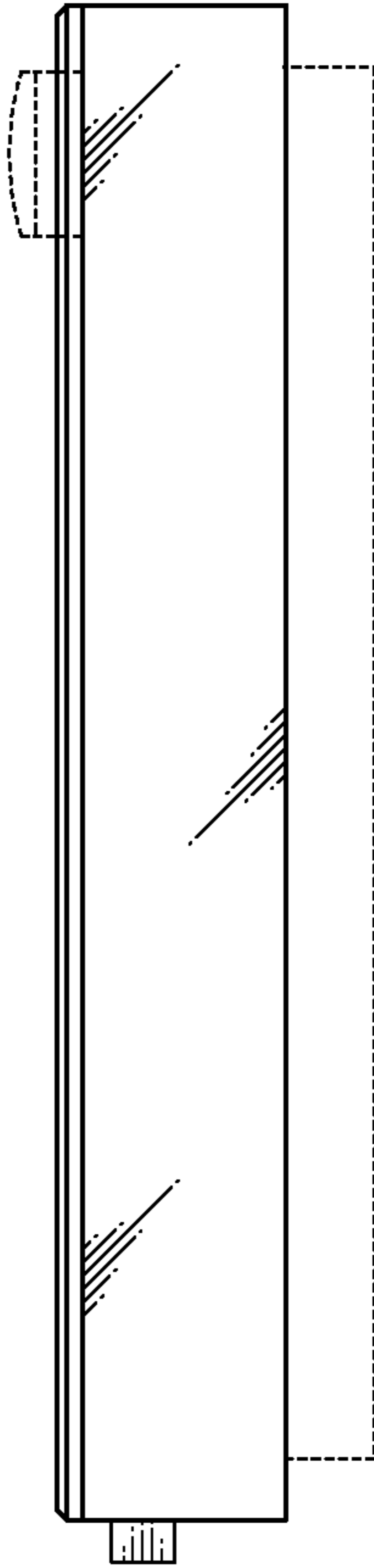


Fig. 7

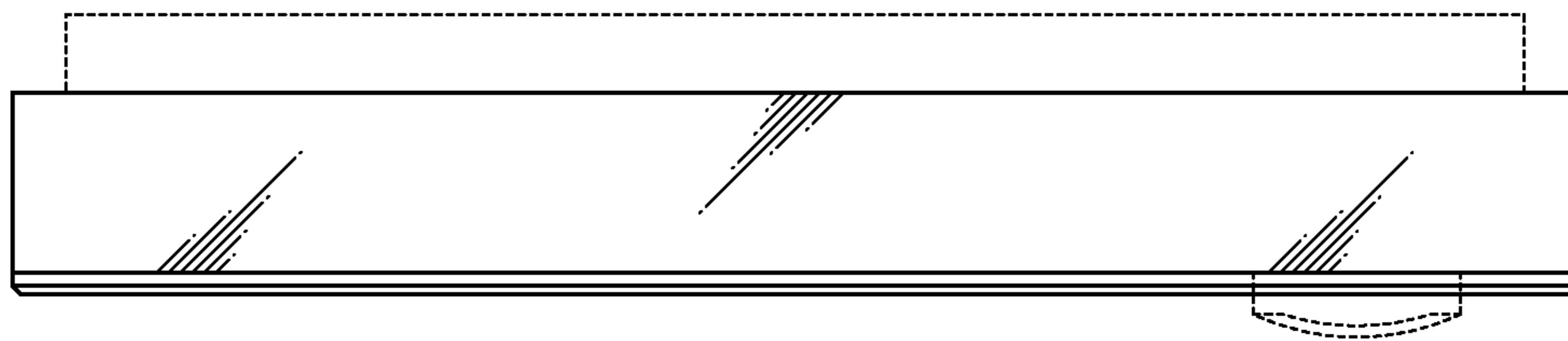


Fig. 8

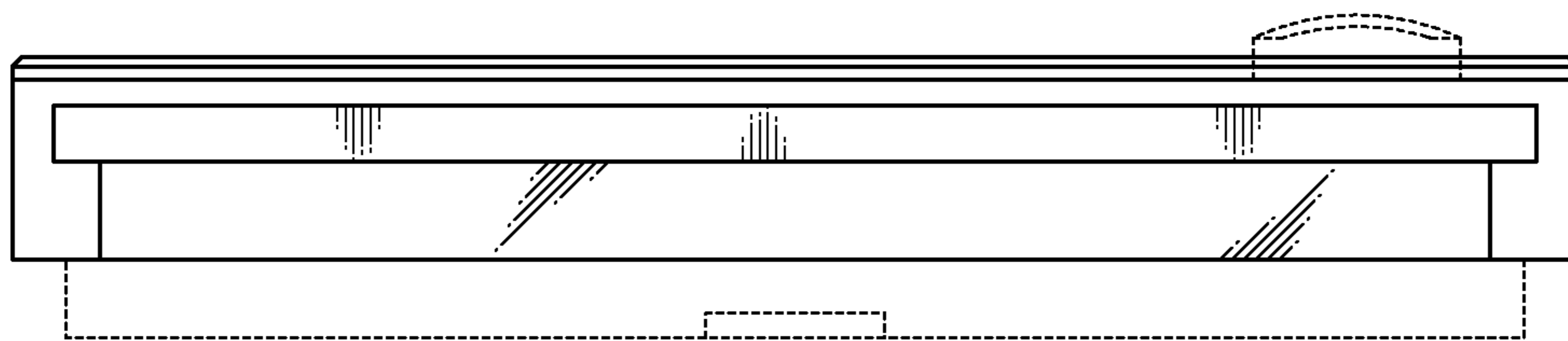


Fig. 9

