



US00D736164S

(12) **United States Design Patent**
Huang et al.

(10) **Patent No.:** **US D736,164 S**

(45) **Date of Patent:** **** Aug. 11, 2015**

(54) **CONNECTOR**

(71) Applicant: **Chicony Electronics Co., Ltd.**, New Taipei (TW)

(72) Inventors: **Wei-Cheng Huang**, New Taipei (TW);
Mei-Yi Tsai, New Taipei (TW)

(73) Assignee: **CHICONY ELECTRONICS CO., LTD.**, New Taipei (TW)

(**) Term: **14 Years**

(21) Appl. No.: **29/482,055**

(22) Filed: **Feb. 13, 2014**

(51) **LOC (10) Cl.** **13-03**

(52) **U.S. Cl.**
USPC **D13/147; D16/136; D16/219; D16/242**

(58) **Field of Classification Search**
USPC **D13/147, 154, 184, 199; D16/136, 219, D16/242**

See application file for complete search history.

(56) **References Cited**

U.S. PATENT DOCUMENTS

D493,143 S * 7/2004 Aldridge D13/147
D549,659 S * 8/2007 Dever D13/147

D631,842 S * 2/2011 Sun et al. D13/147
D696,336 S * 12/2013 Jannard et al. D16/242
D721,331 S * 1/2015 Andre et al. D13/147
D725,040 S * 3/2015 Bailey et al. D13/146

* cited by examiner

Primary Examiner — Daniel Bui

(74) *Attorney, Agent, or Firm* — Chun-Ming Shih; HDLS IPR Services

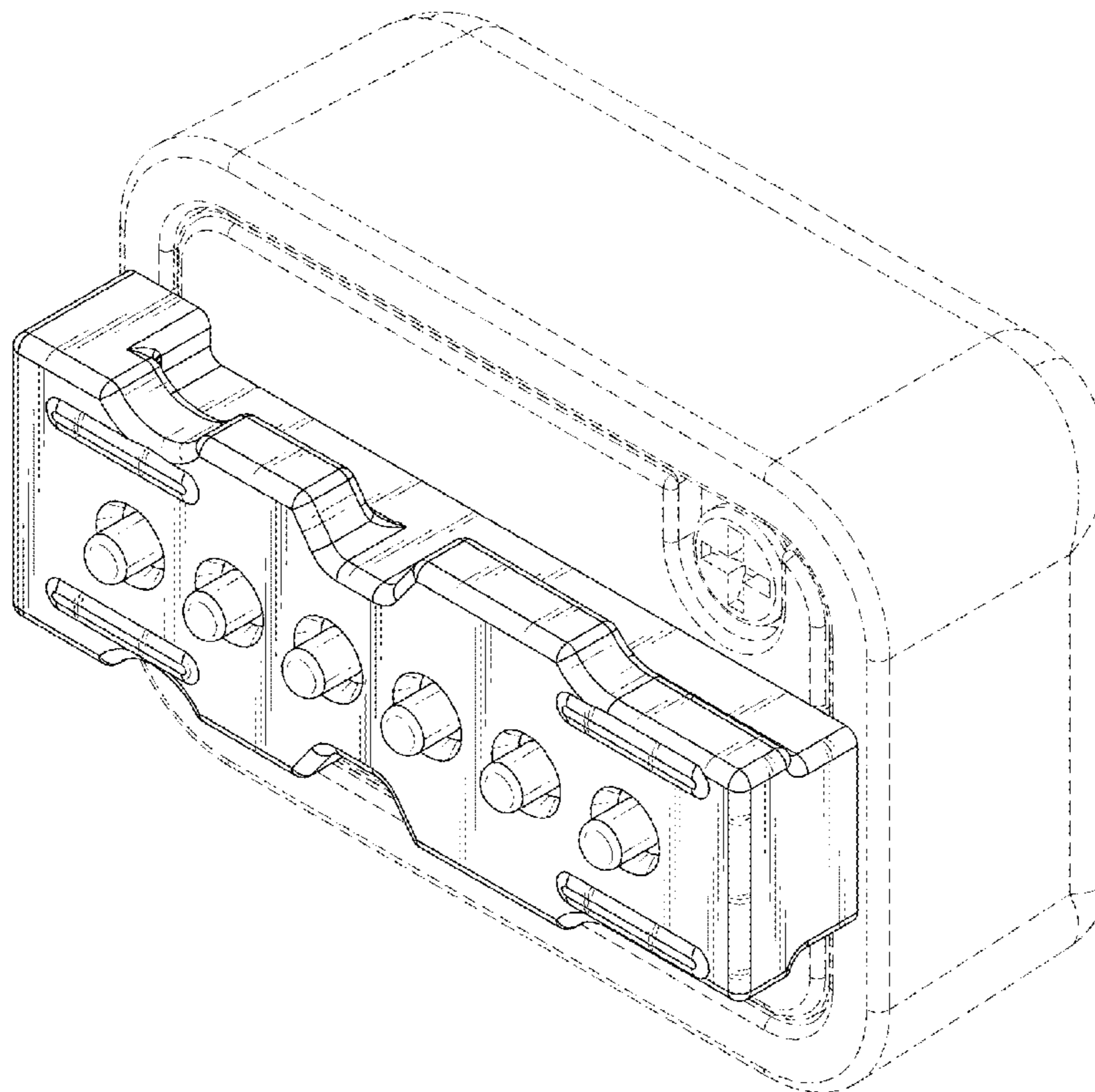
(57) **CLAIM**

The ornamental design for a connector, as shown and described.

DESCRIPTION

FIG. 1 is a perspective view of a connector showing our new design;
FIG. 2 is a front view thereof;
FIG. 3 is a left side view thereof;
FIG. 4 is a right side view thereof;
FIG. 5 is a top view thereof;
FIG. 6 is a bottom view thereof; and,
FIG. 7 is a perspective view thereof, in use condition.
The broken line portion in the drawing views is included for the purpose of illustrating environment and forms no part of the claimed design.

1 Claim, 7 Drawing Sheets



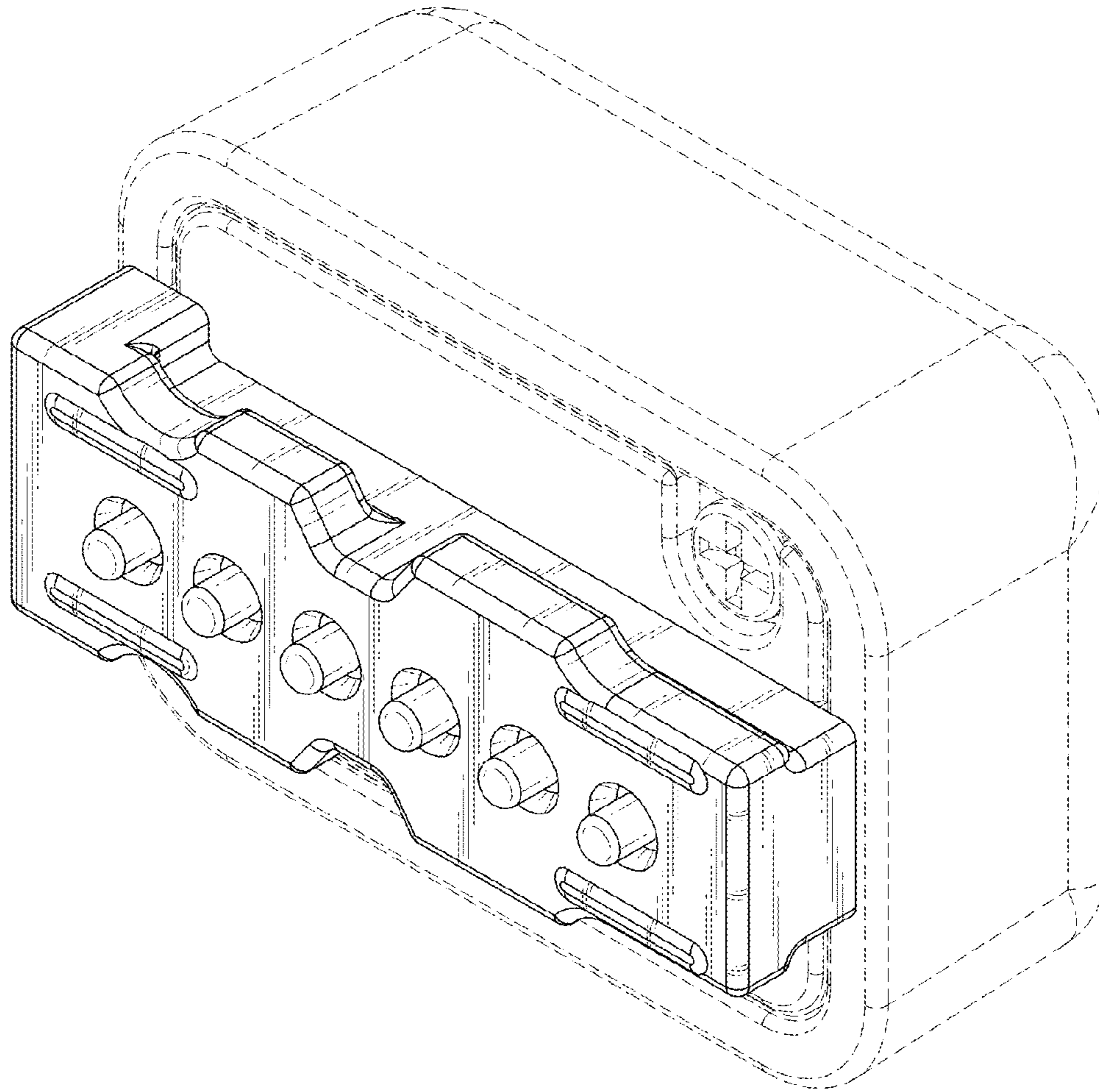


FIG.1

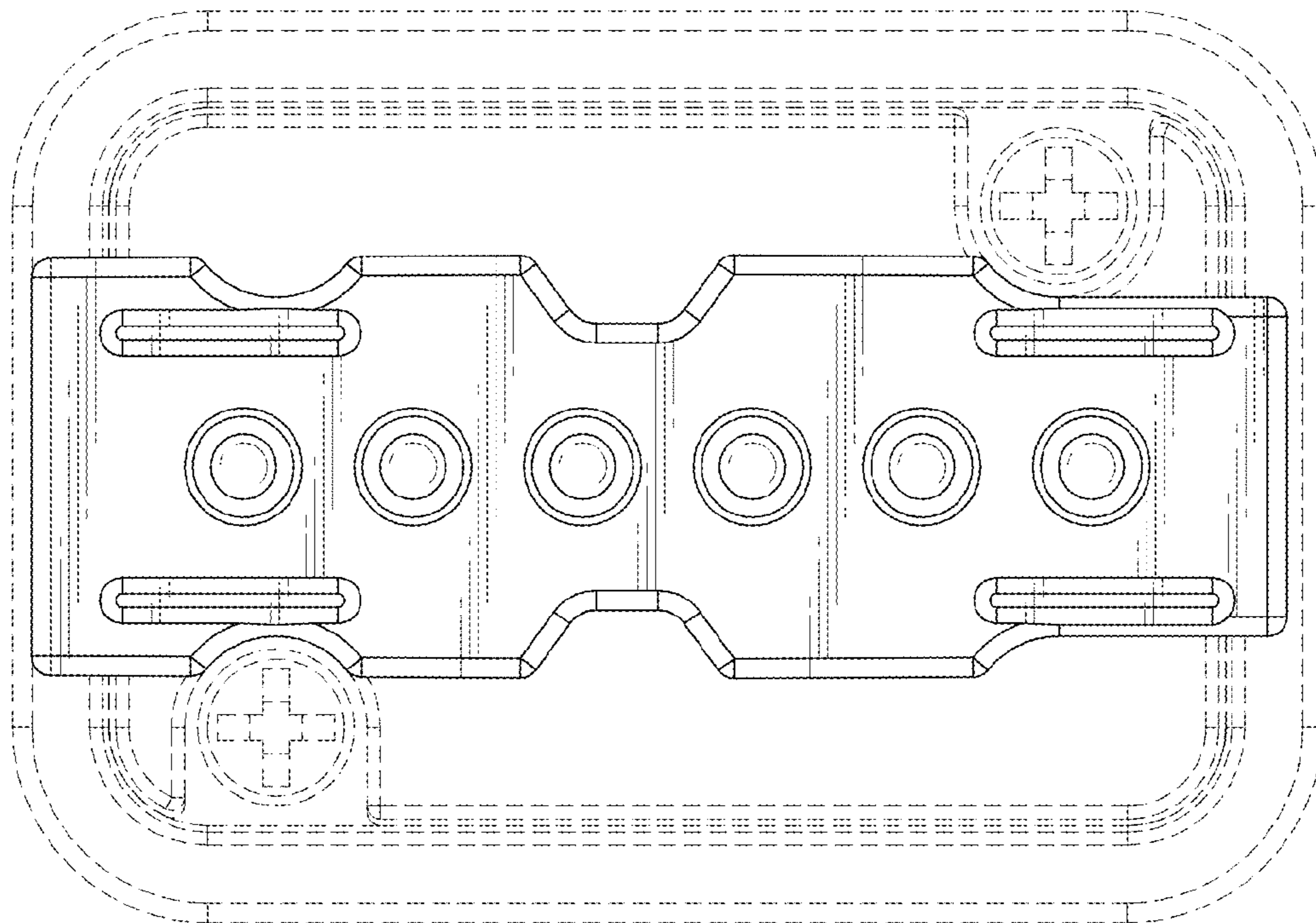


FIG.2

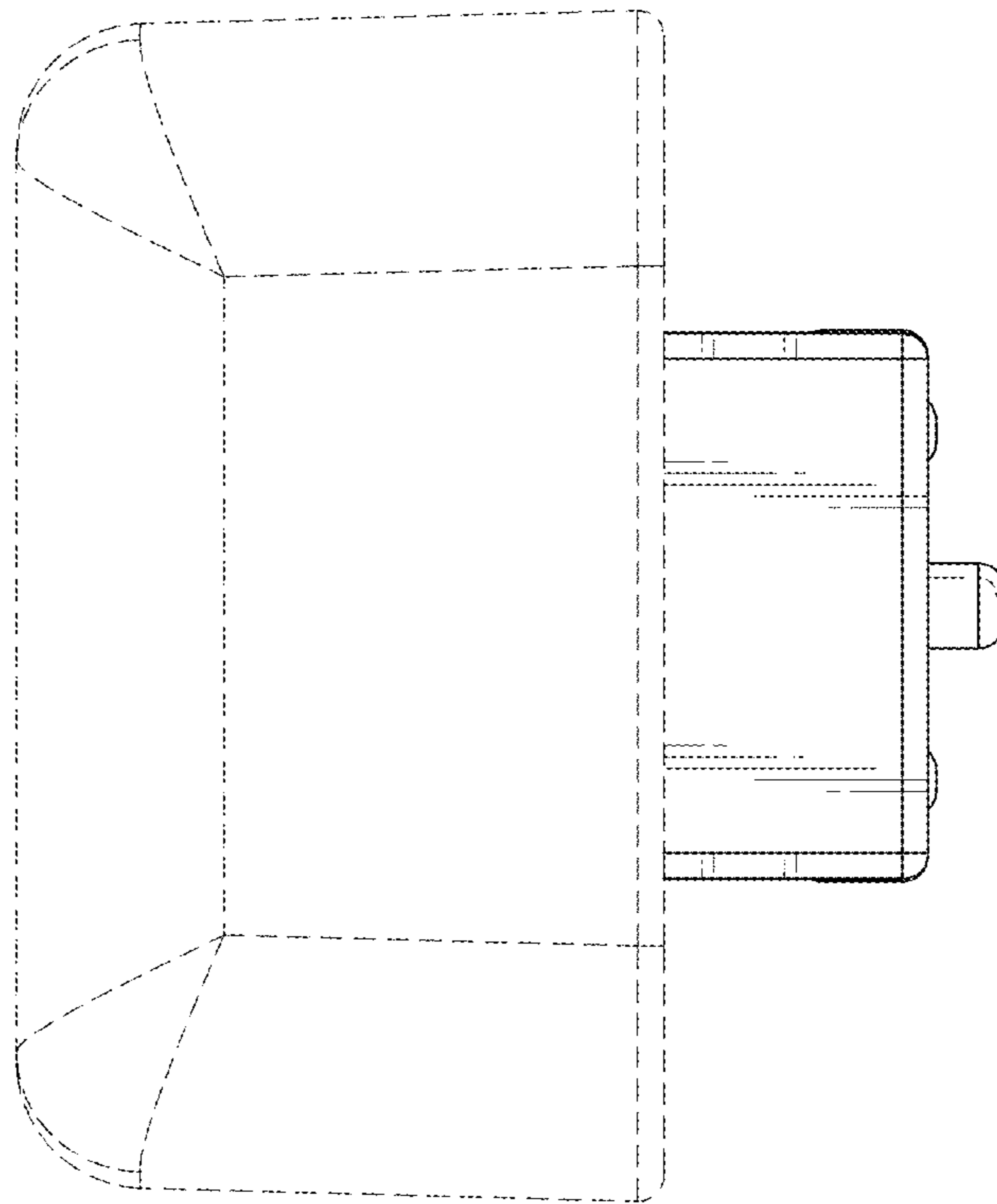


FIG.3

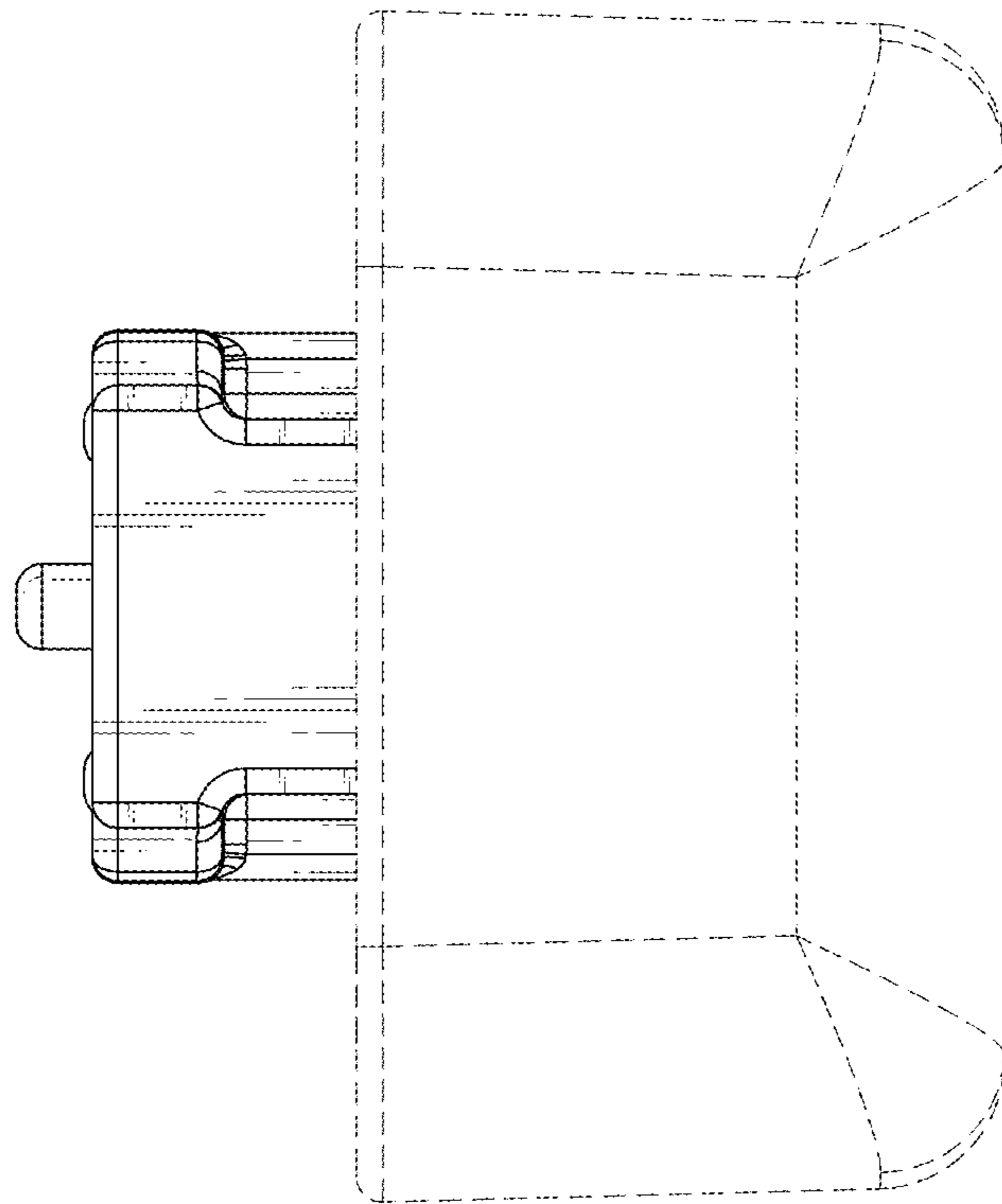


FIG.4

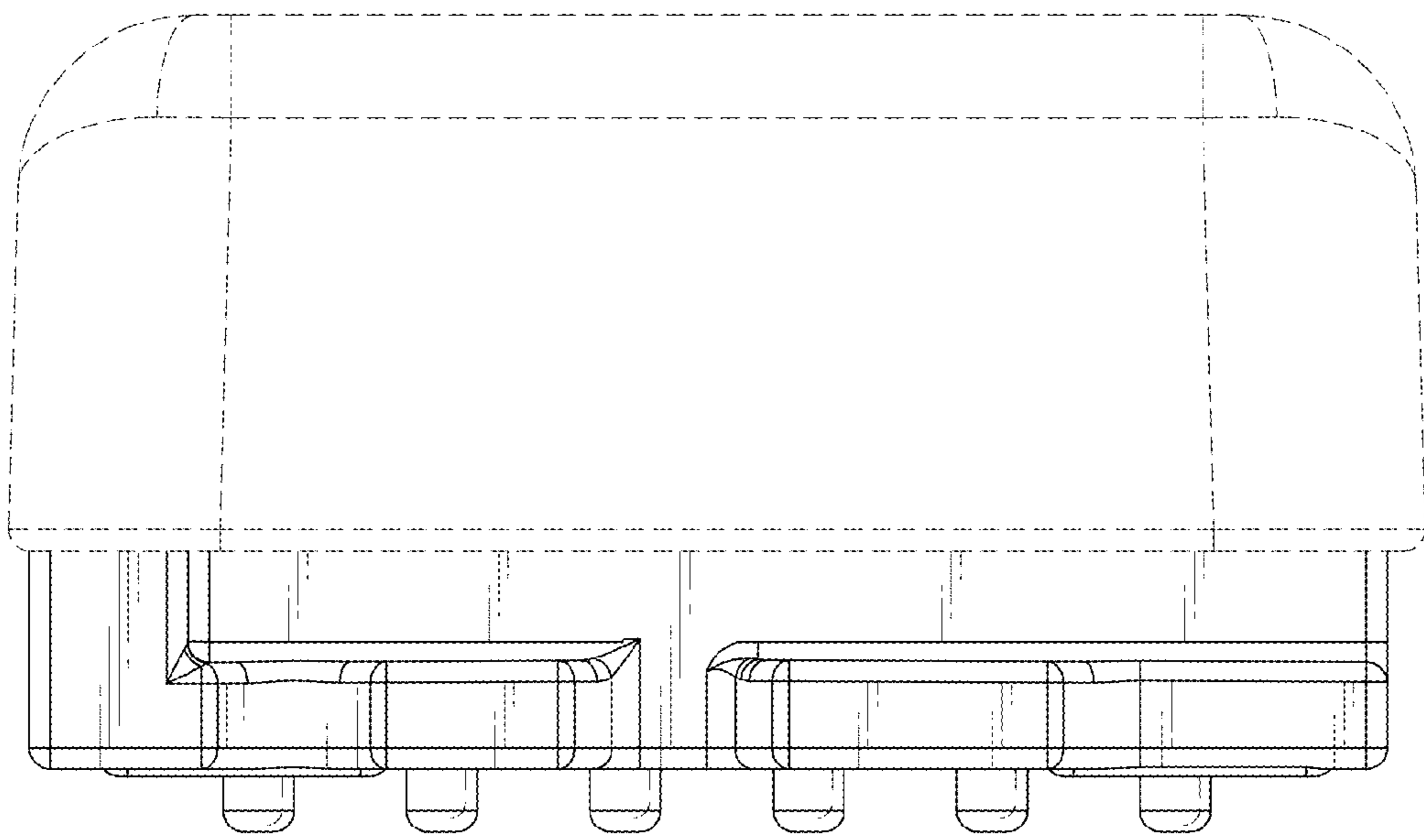


FIG.5

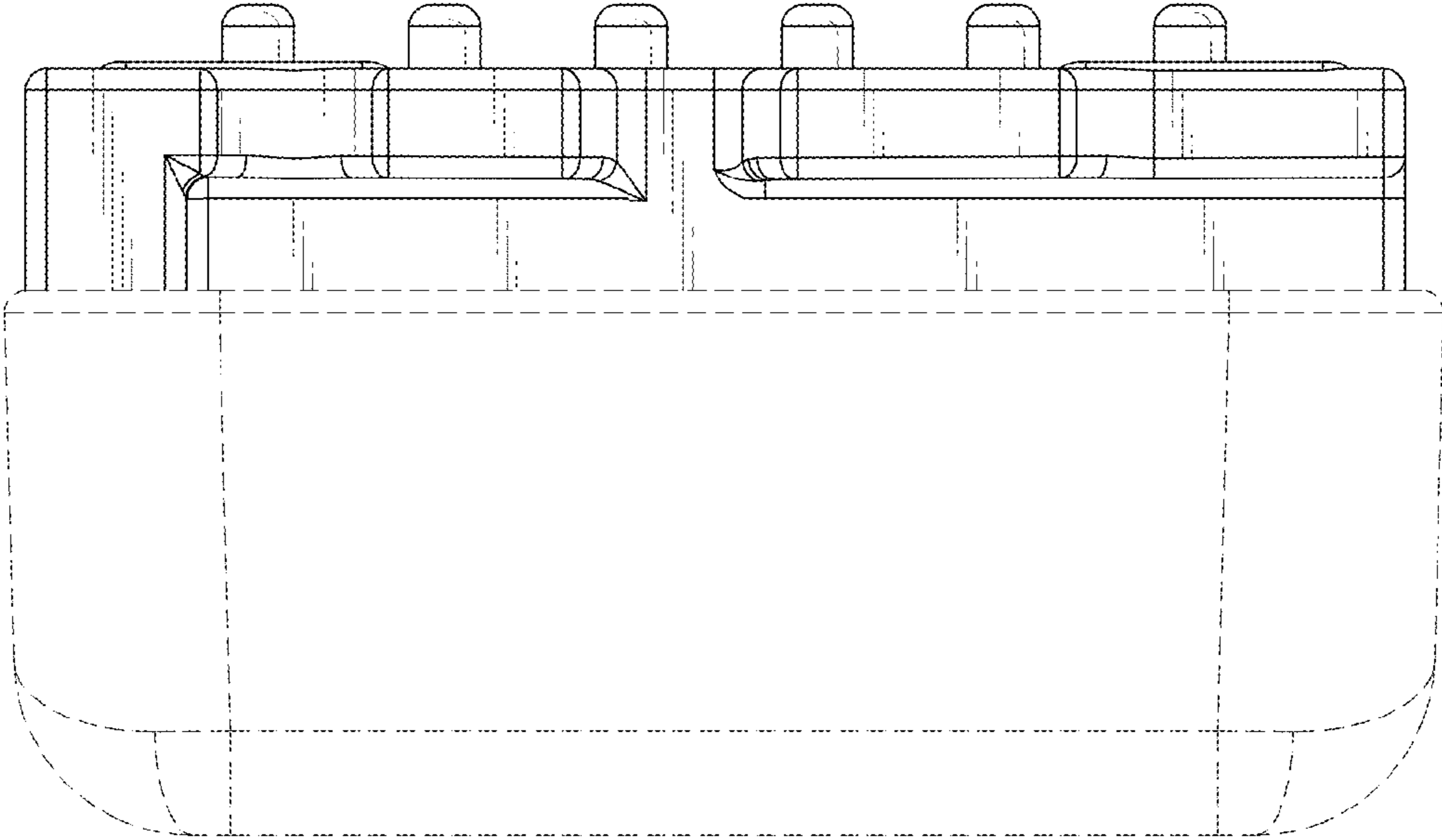


FIG.6

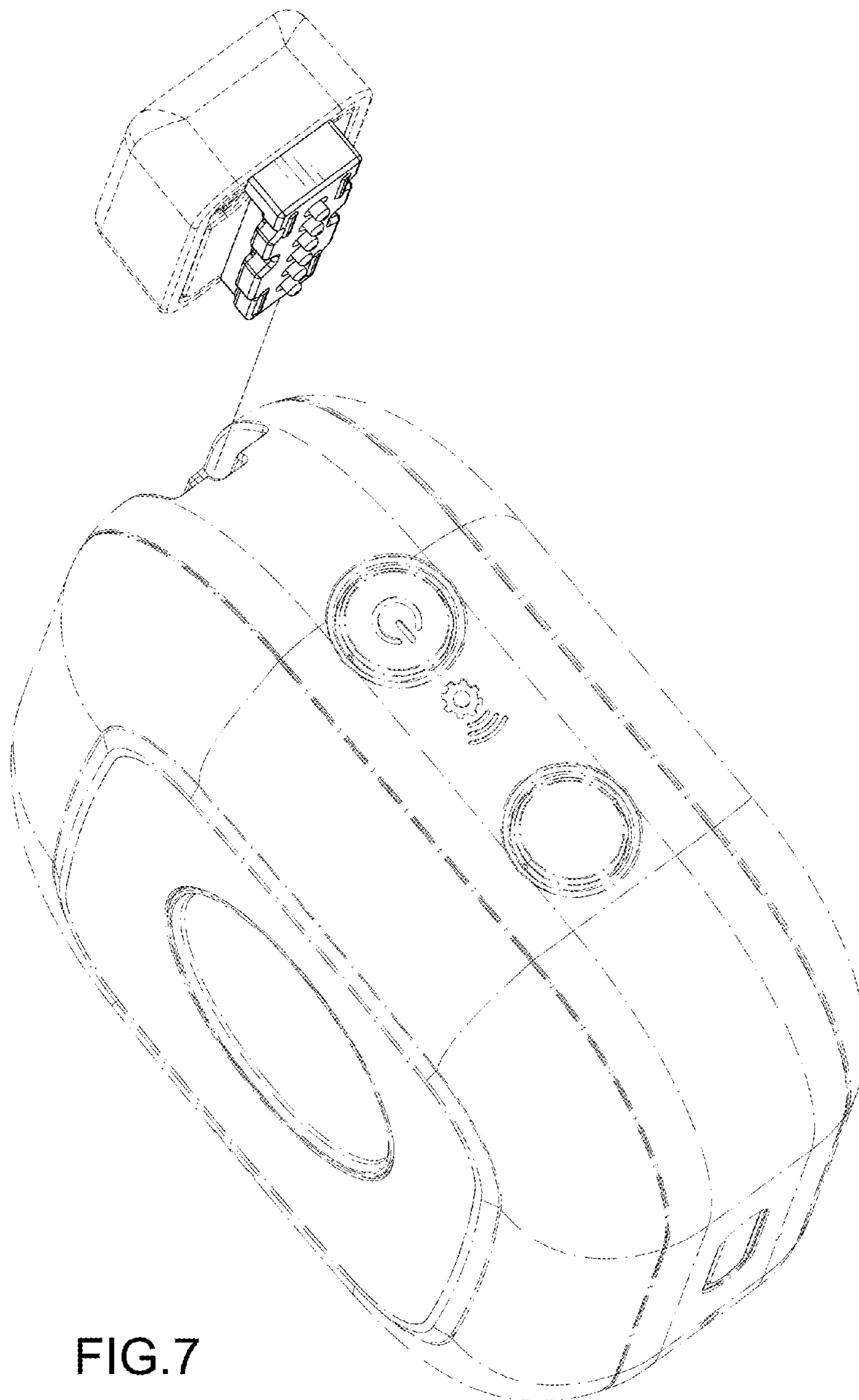


FIG.7