



US00D736162S

(12) **United States Design Patent**
Barabas et al.

(10) **Patent No.:** **US D736,162 S**

(45) **Date of Patent:** **** Aug. 11, 2015**

(54) **MOUNT AND EXTENSION FOR A USB CABLE**

(71) Applicants: **Alfred Barabas**, La Habra, CA (US);
Laszlo Barabas, Rancho Palos Verdes, CA (US)

(72) Inventors: **Alfred Barabas**, La Habra, CA (US);
Laszlo Barabas, Rancho Palos Verdes, CA (US)

(**) Term: **14 Years**

(21) Appl. No.: **29/440,957**

(22) Filed: **Dec. 28, 2012**

(51) **LOC (10) Cl.** **13-03**

(52) **U.S. Cl.**
USPC **D13/147**

(58) **Field of Classification Search**
USPC D13/133, 146, 147, 153, 154, 184, 199
See application file for complete search history.

(56) **References Cited**

U.S. PATENT DOCUMENTS

D330,192 S *	10/1992	Holland et al.	D13/153
D473,848 S *	4/2003	Zheng et al.	D13/147
D509,797 S *	9/2005	Milan	D13/133
D586,753 S *	2/2009	Diamond et al.	D13/147
D649,516 S *	11/2011	Thauer	D13/147
RE44,072 E *	3/2013	Milan	439/171

* cited by examiner

Primary Examiner — Eric Goodman

Assistant Examiner — Sanjeev Paul

(74) *Attorney, Agent, or Firm* — QuickPatents; Kevin Prince

(57) **CLAIM**

We claim the ornamental design for a mount and extension for a USB cable, as shown and described.

DESCRIPTION

FIG. 1 is a perspective view of a mount and extension for a USB cable, showing our new design in a collapsed configuration;

FIG. 2 is a front elevation view thereof, in an extended configuration, portions between the break lines omitted for clarity of illustration;

FIG. 3 is a rear elevation view of thereof;

FIG. 4 is a right-side elevation view of thereof;

FIG. 5 is a left-side elevation view of thereof;

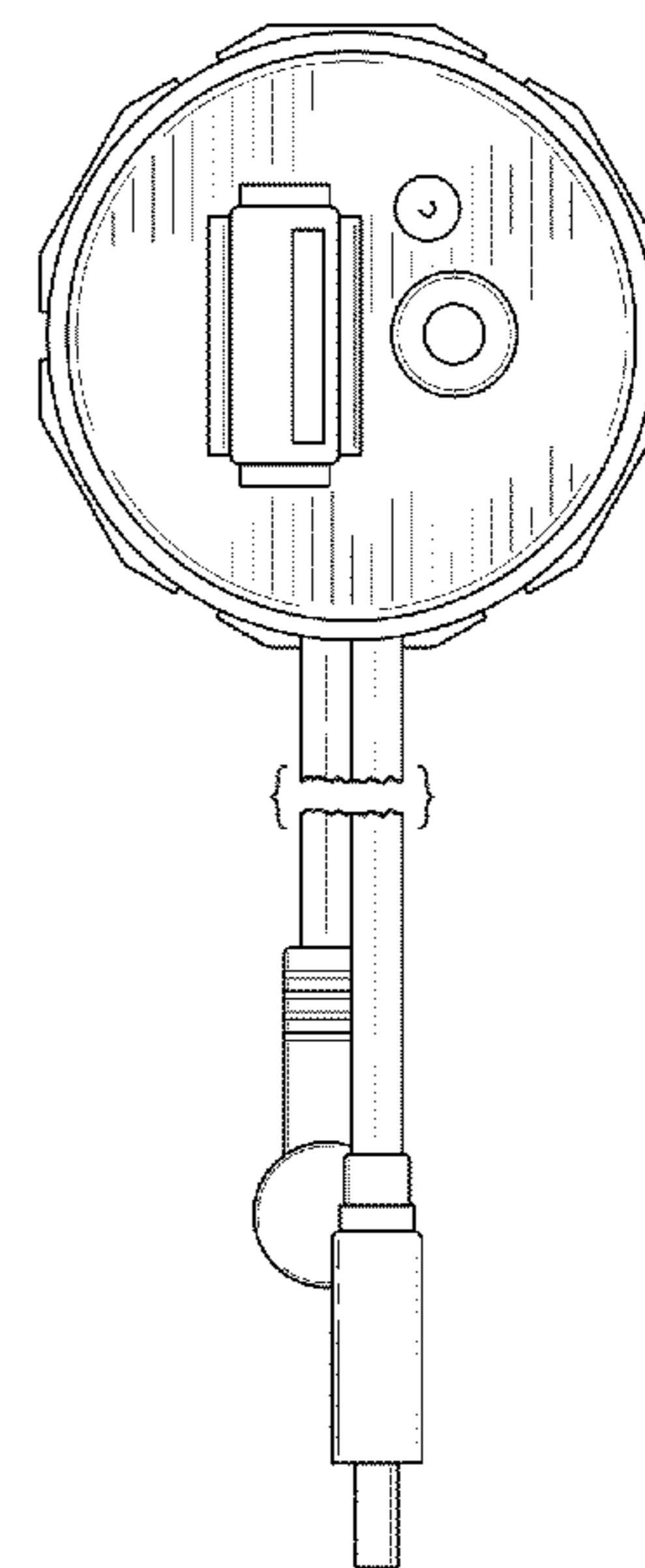
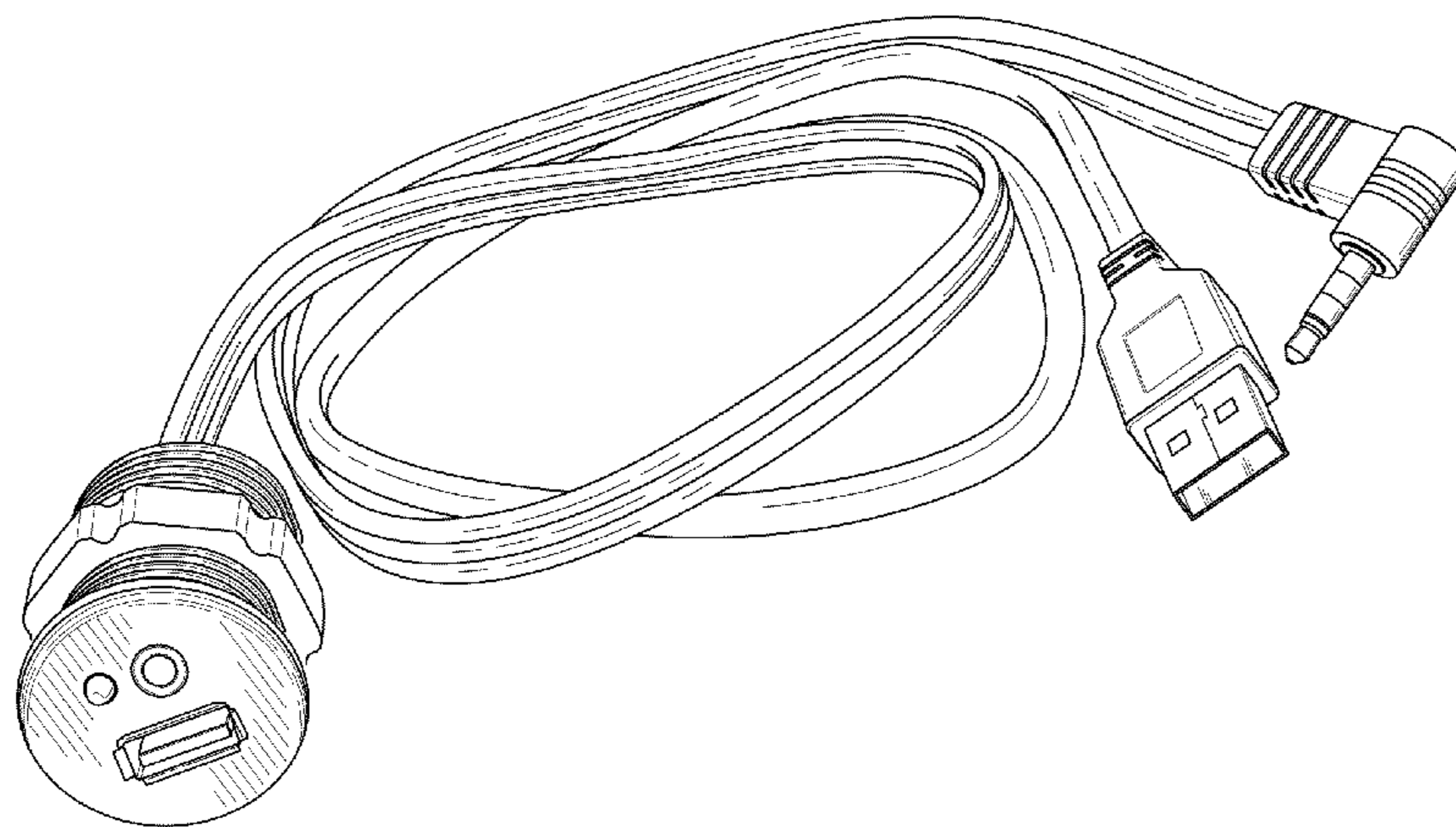
FIG. 6 is a bottom plan view of thereof; and,

FIG. 7 is a top plan view of thereof.

The broken lines in the drawings are for illustration of the environment and form no part of the claimed design.

The mount and extension for USB cable is shown with a symbolic break in its length. The appearance of any portion of the article between the break lines forms no part of the claimed design.

1 Claim, 4 Drawing Sheets



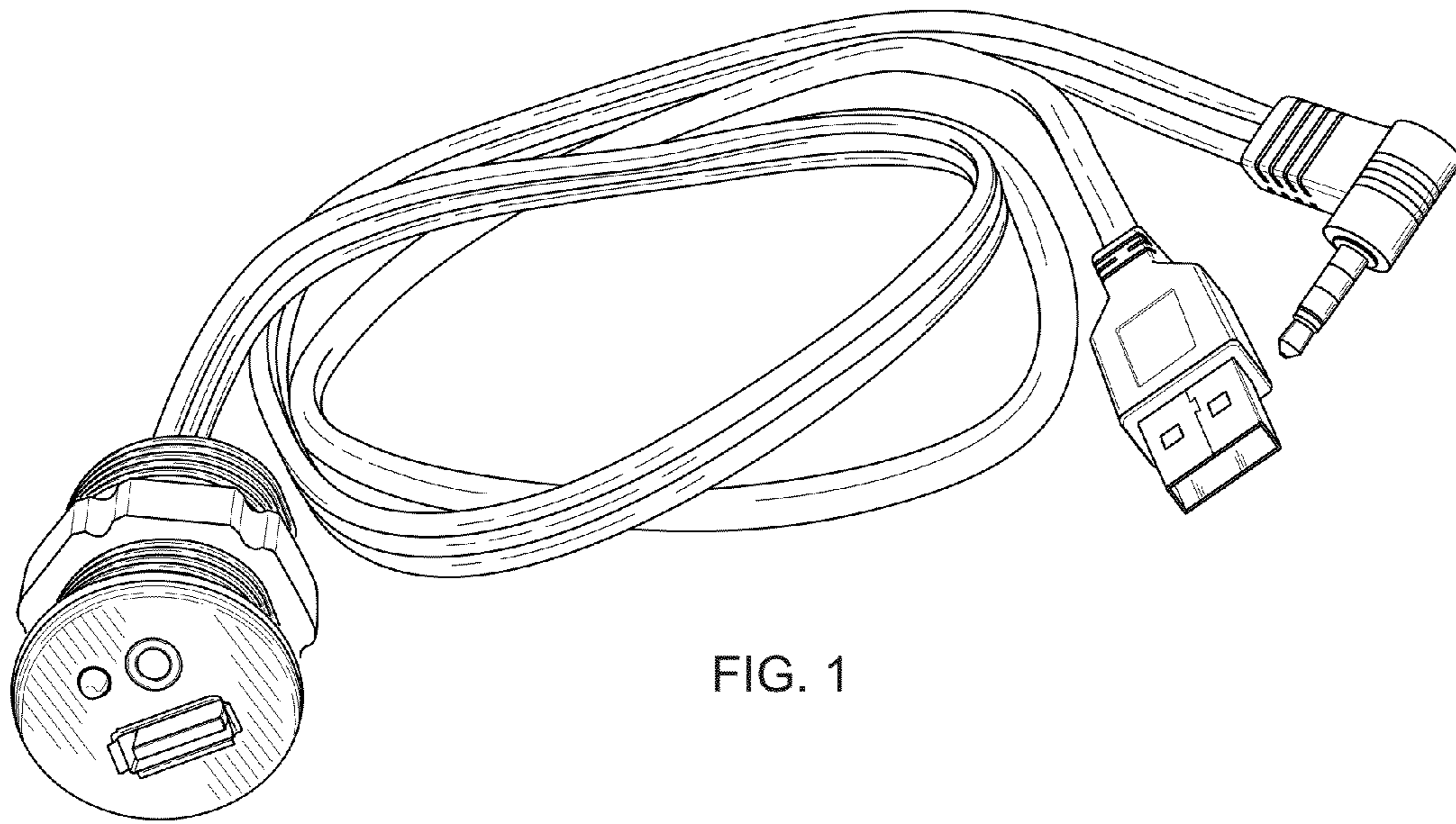


FIG. 1

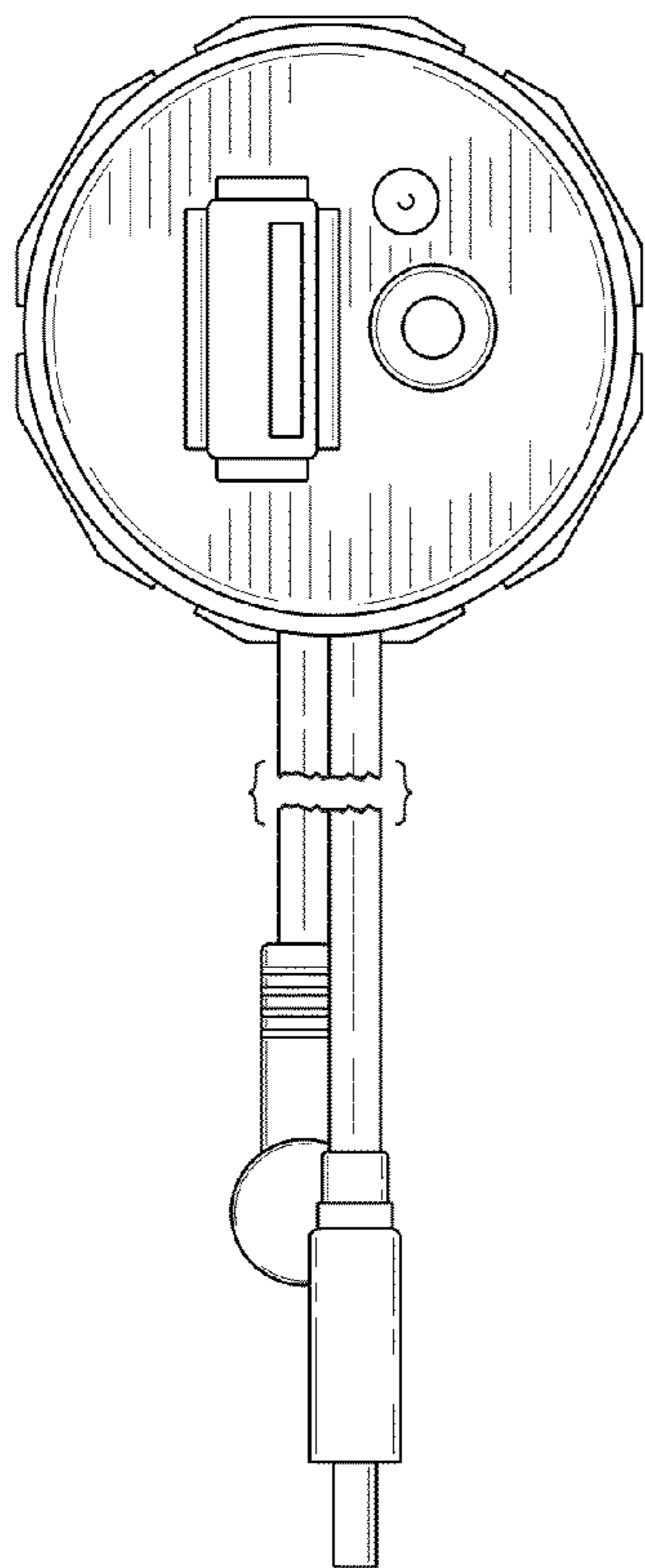


FIG. 2

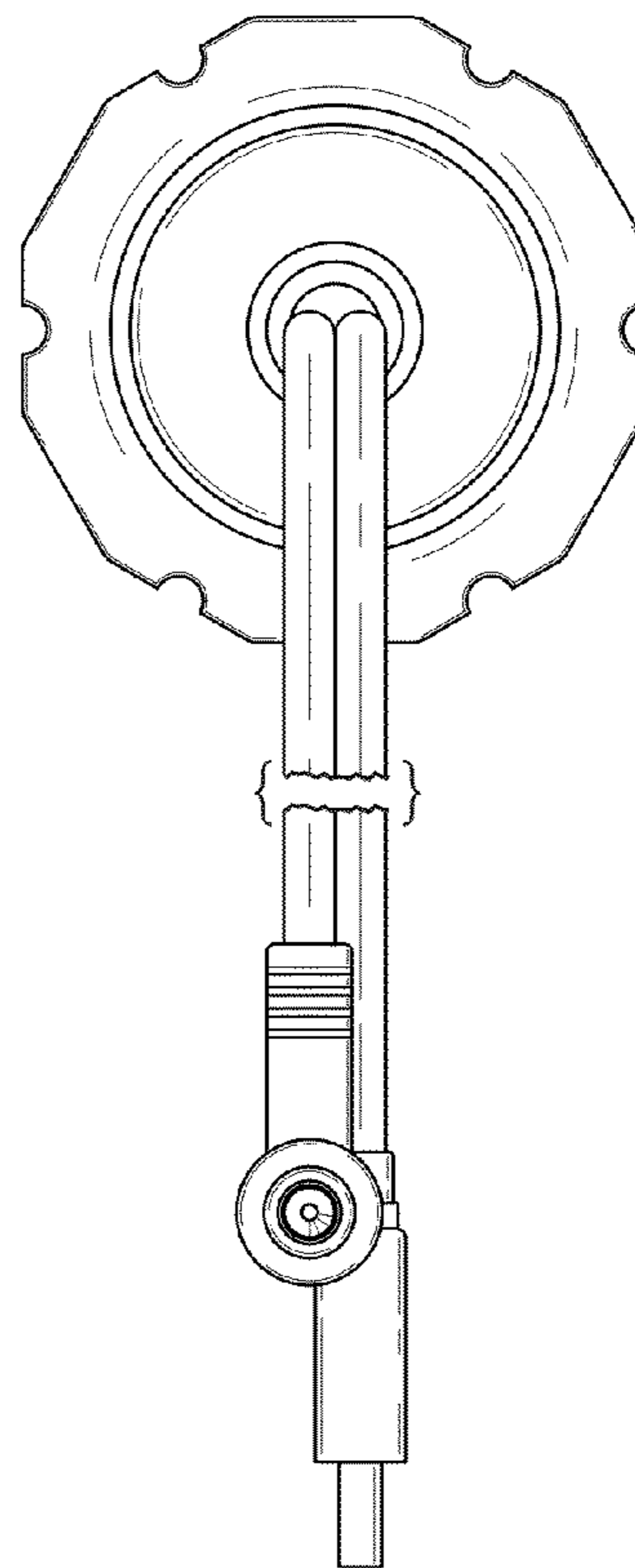


FIG. 3

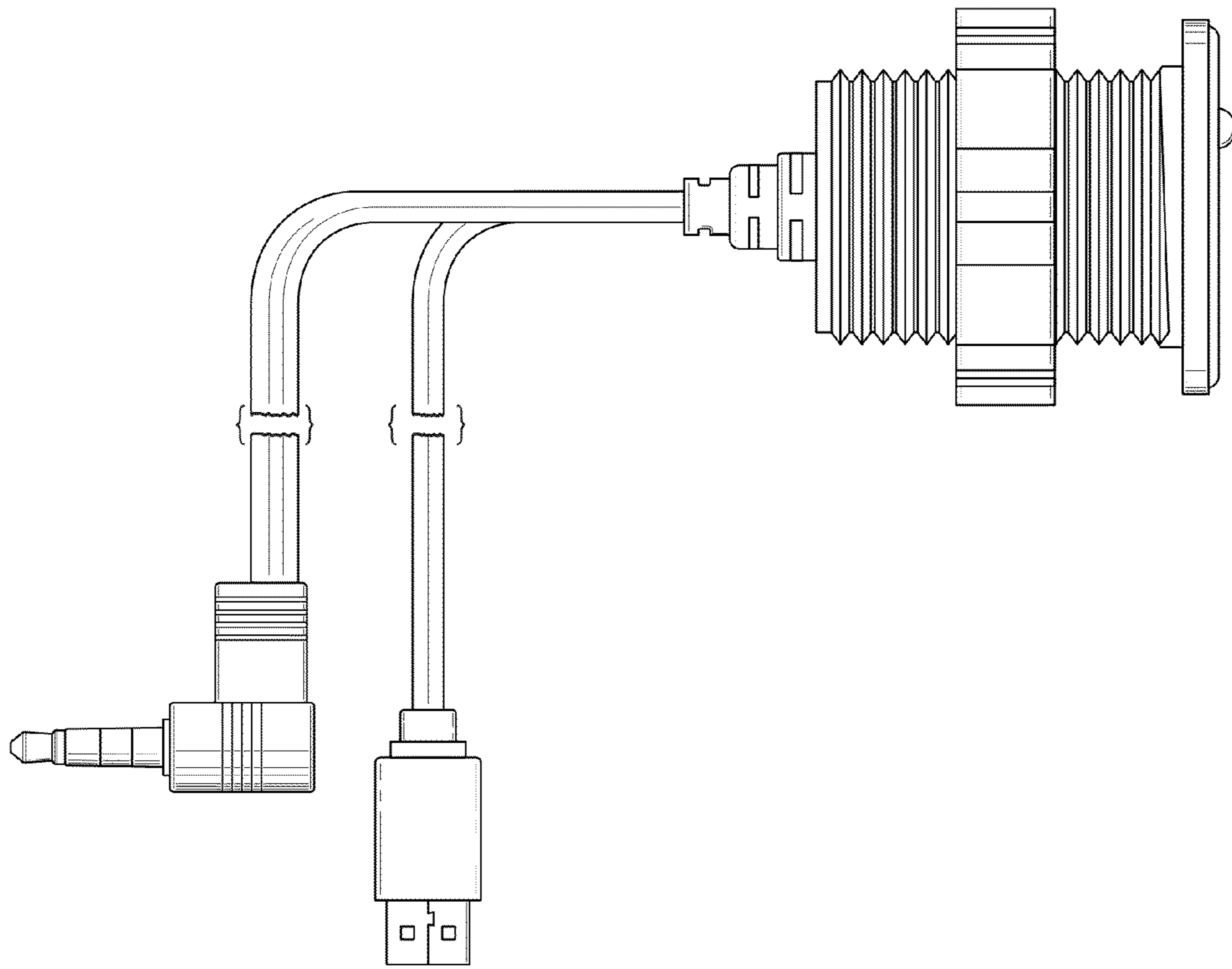


FIG. 4

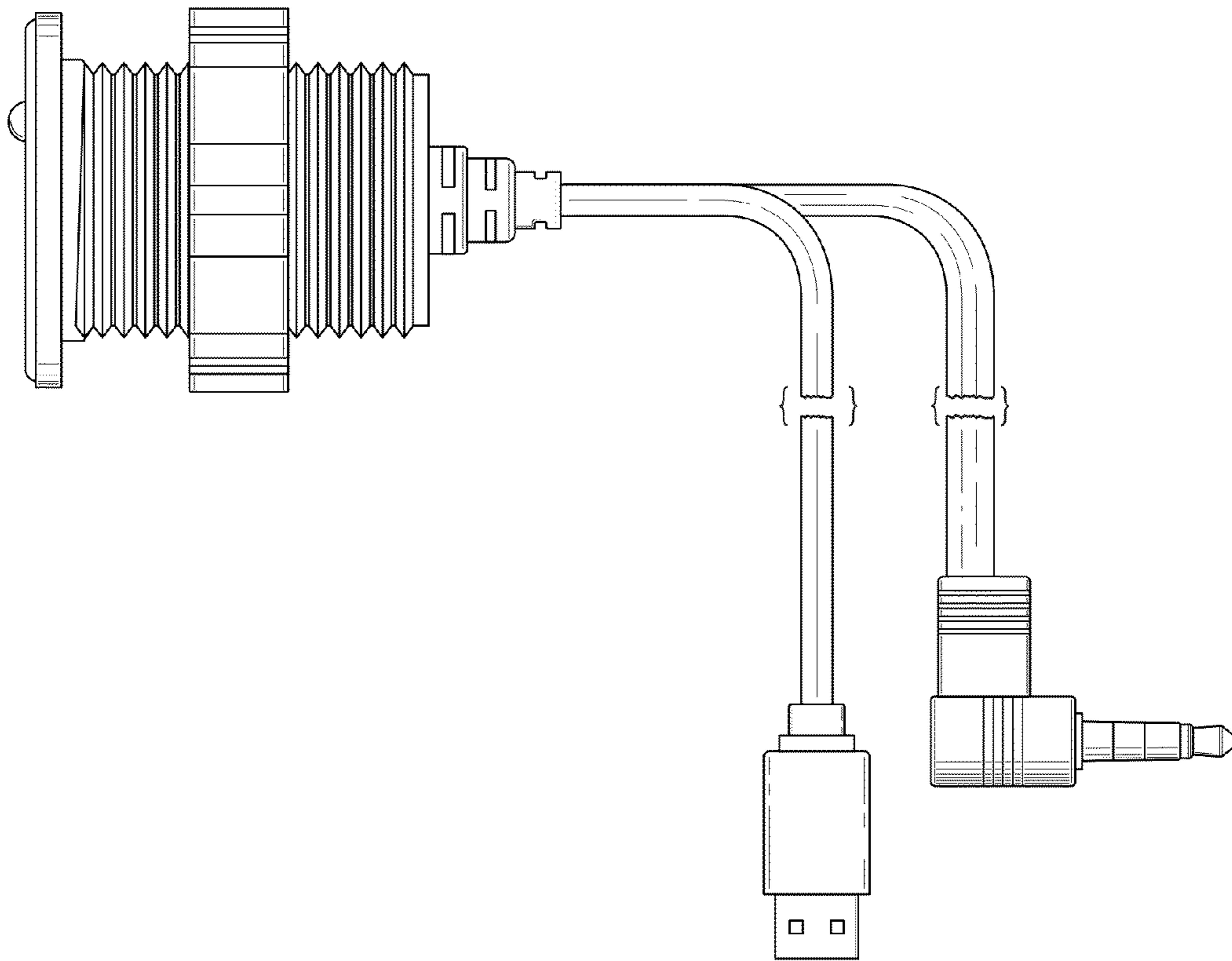


FIG. 5

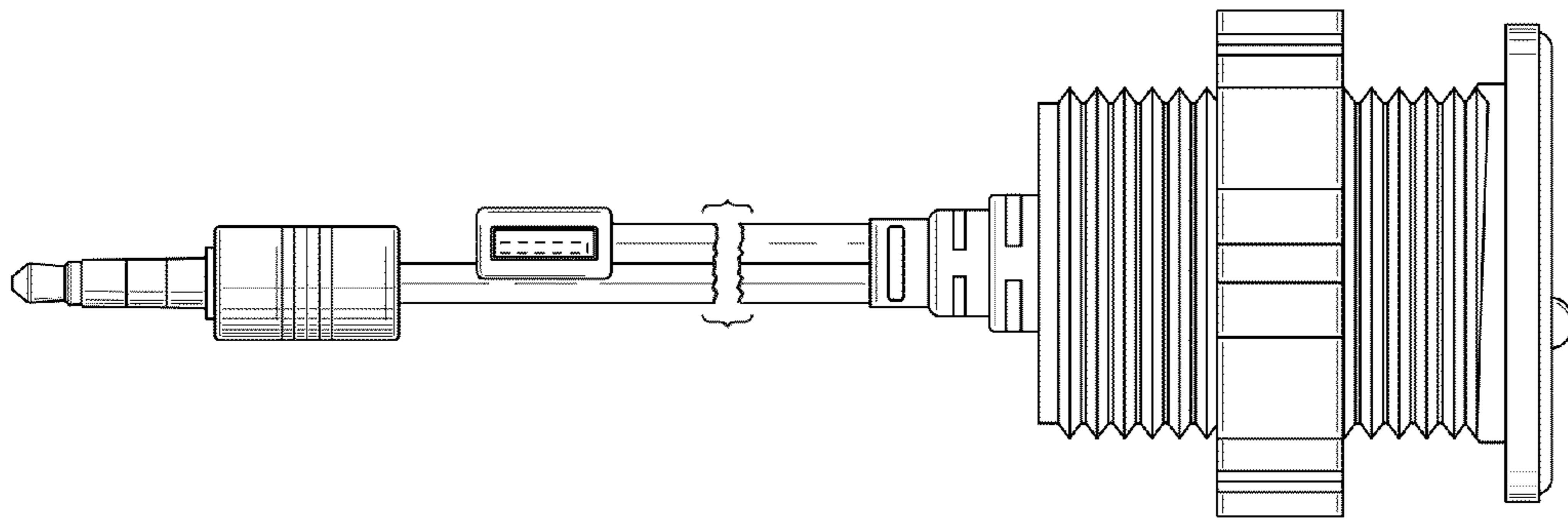


FIG. 6

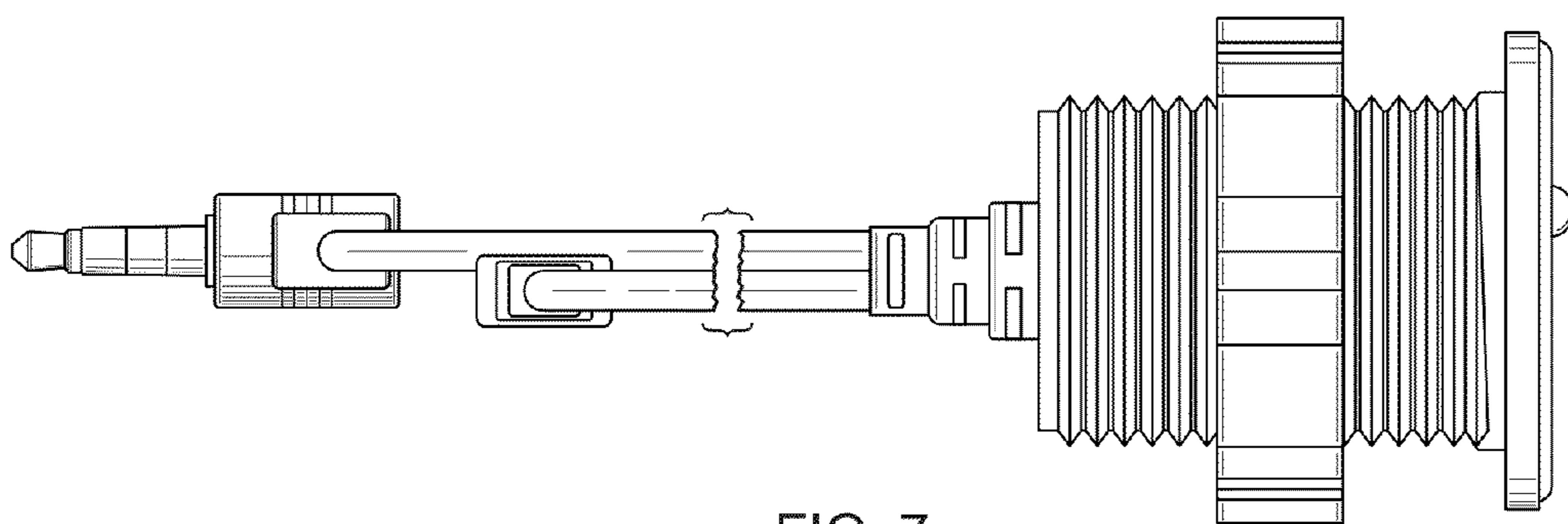


FIG. 7