

US00D736161S

(12) **United States Design Patent**
Chen et al.

(10) **Patent No.:** **US D736,161 S**

(45) **Date of Patent:** **** Aug. 11, 2015**

(54) **CONNECTOR**

(71) Applicant: **IDEAL INDUSTRIES, INC.**,
Sycamore, IL (US)

(72) Inventors: **Mu Chen**, Andover, MA (US); **Brian Francis Davies**, Acton, MA (US)

(73) Assignee: **IDEAL Industries, Inc.**, Sycamore, IL (US)

(**) Term: **14 Years**

(21) Appl. No.: **29/484,259**

(22) Filed: **Mar. 7, 2014**

(51) **LOC (10) Cl.** **13-03**

(52) **U.S. Cl.**
USPC **D13/146**

(58) **Field of Classification Search**
USPC D13/146, 147, 154, 184, 199; 439/266,
439/345, 350, 352, 357, 358, 595, 626, 660,
439/677, 680, 682, 752
See application file for complete search history.

(56) **References Cited**

U.S. PATENT DOCUMENTS

D366,242 S * 1/1996 Goto D13/147
D451,886 S * 12/2001 Goto D13/147
D457,194 S * 5/2002 Goto D21/333

D479,199 S * 9/2003 Jones et al. D13/147
D483,017 S * 12/2003 Goto D13/147
D646,223 S * 10/2011 Gouhl et al. D13/146
D653,620 S * 2/2012 Gouhl et al. D13/146
D660,801 S * 5/2012 Smith D13/146

* cited by examiner

Primary Examiner — Daniel Bui

(74) *Attorney, Agent, or Firm* — Greenberg Traurig, LLP

(57) **CLAIM**

An ornamental design for a connector, as shown and described.

DESCRIPTION

FIG. 1 is a front perspective view of a connector showing our new invention;

FIG. 2 is a rear perspective view thereof;

FIG. 3 is a front view thereof;

FIG. 4 is a rear view thereof;

FIG. 5 is a top plan view thereof;

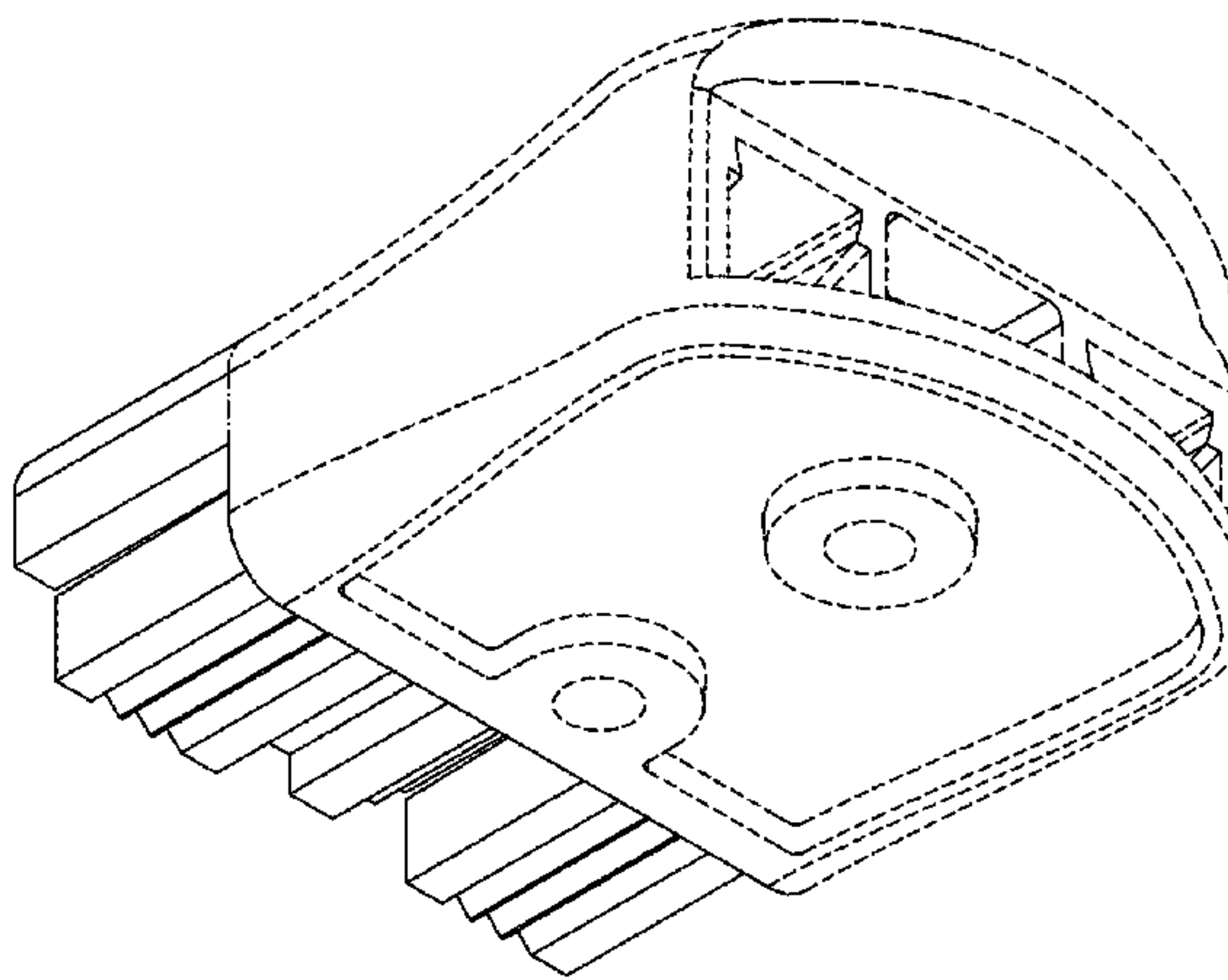
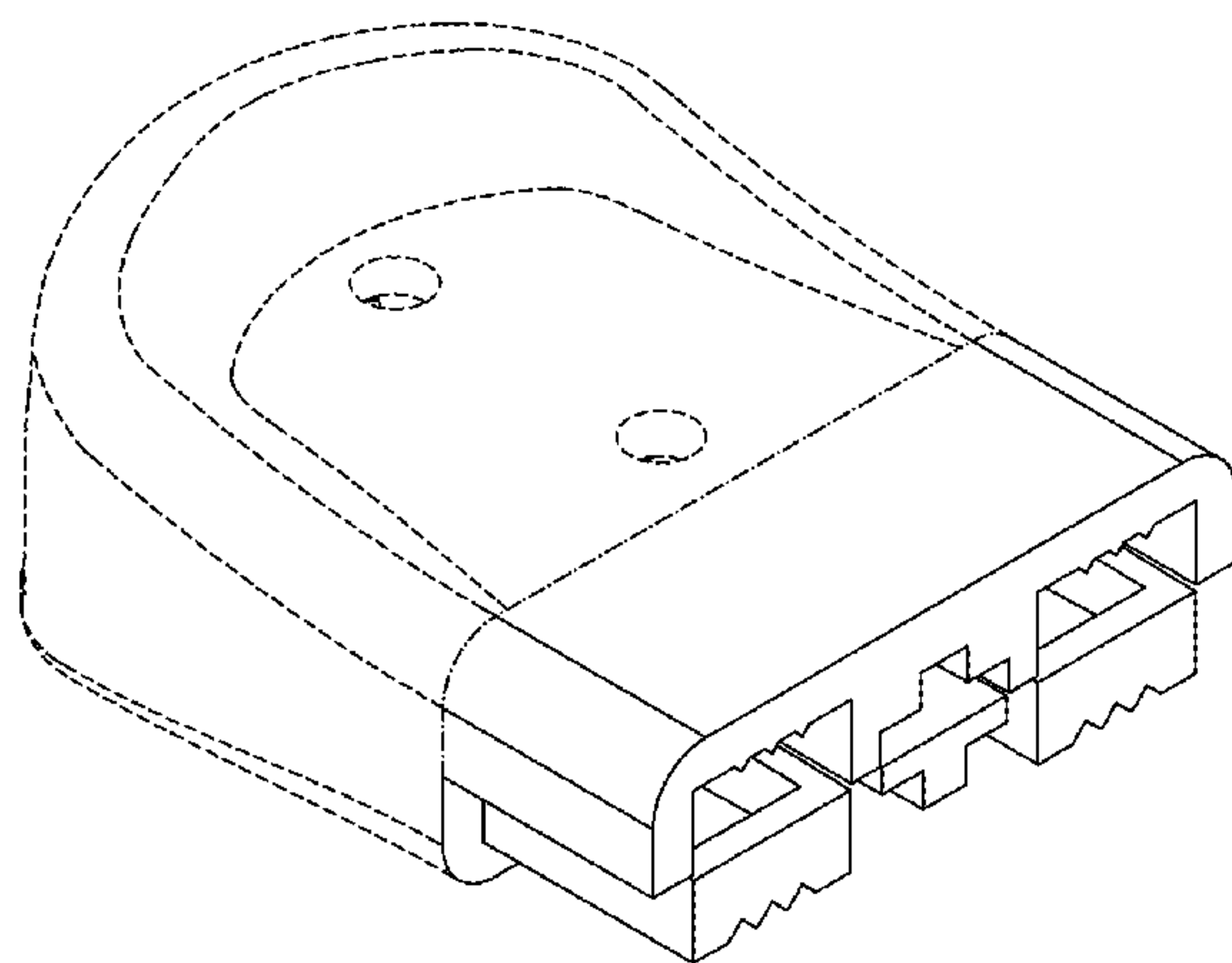
FIG. 6 is a bottom plan view thereof;

FIG. 7 is a left side view thereof; and,

FIG. 8 is a right side view thereof.

The broken lines shown in the drawings represent unclaimed environment and forms no part of the claimed design, the dotted lines also represent the boundaries of the claimed design. The dash-dot line represents the boundaries of the claimed design.

1 Claim, 8 Drawing Sheets



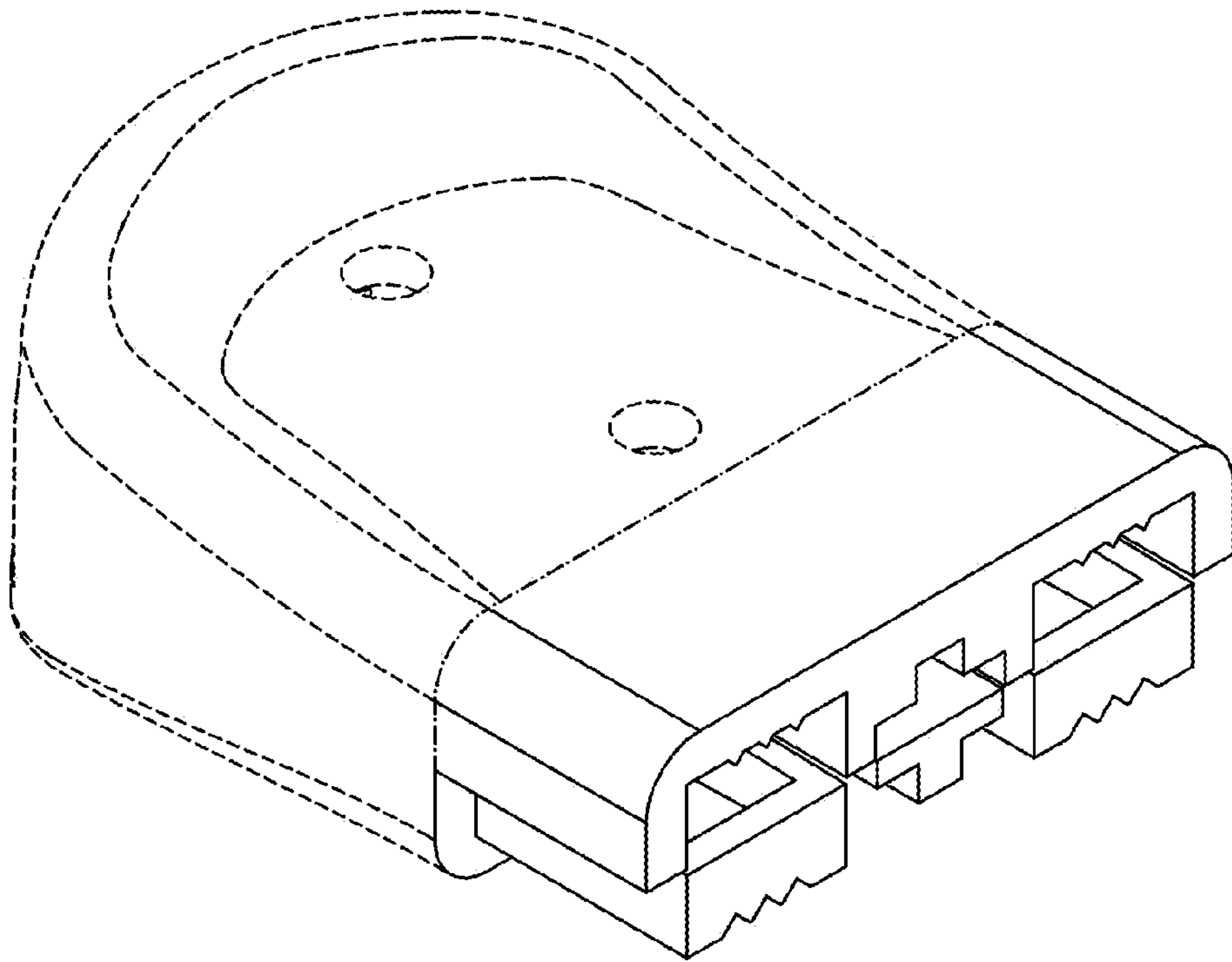


FIG. 1

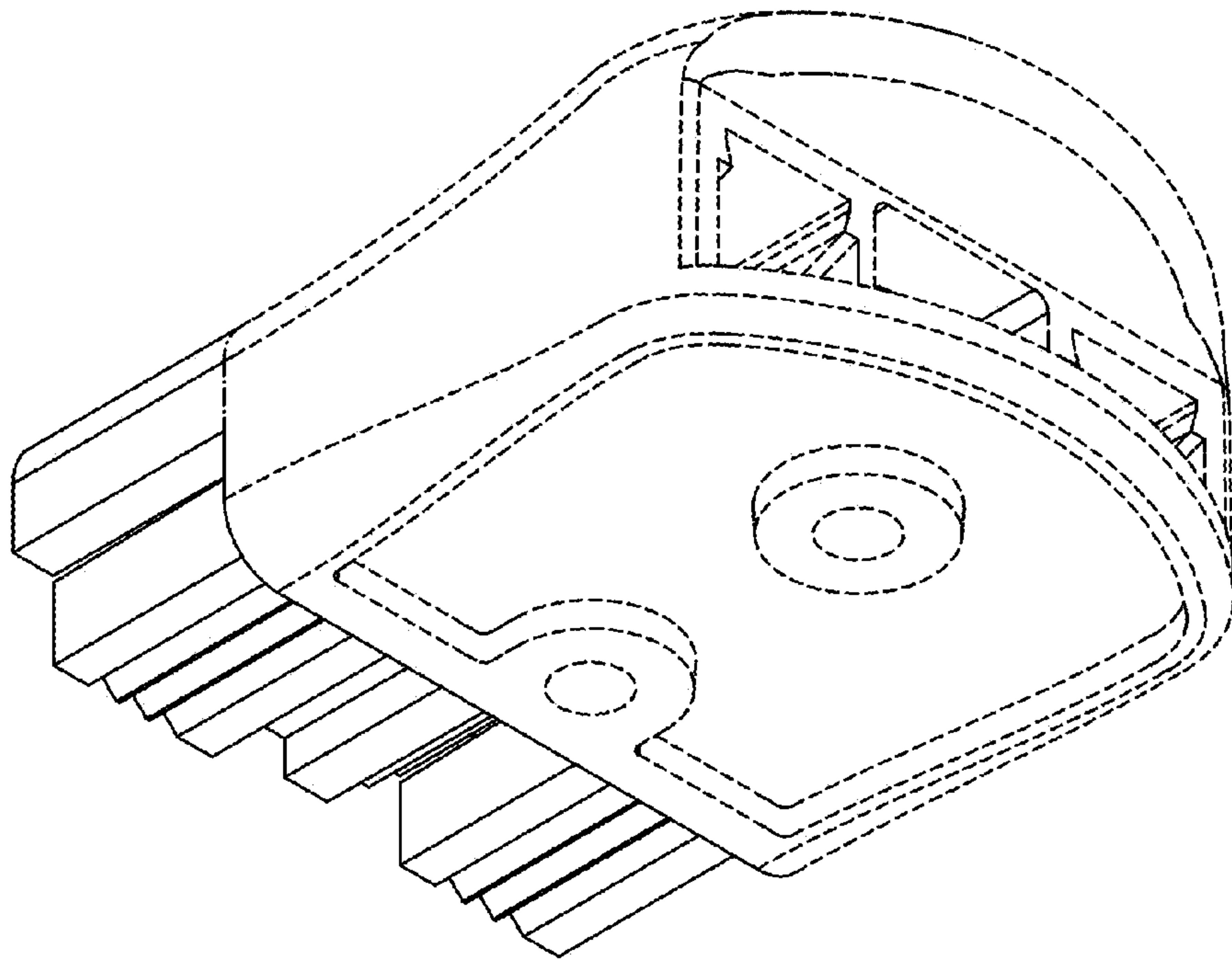


FIG. 2

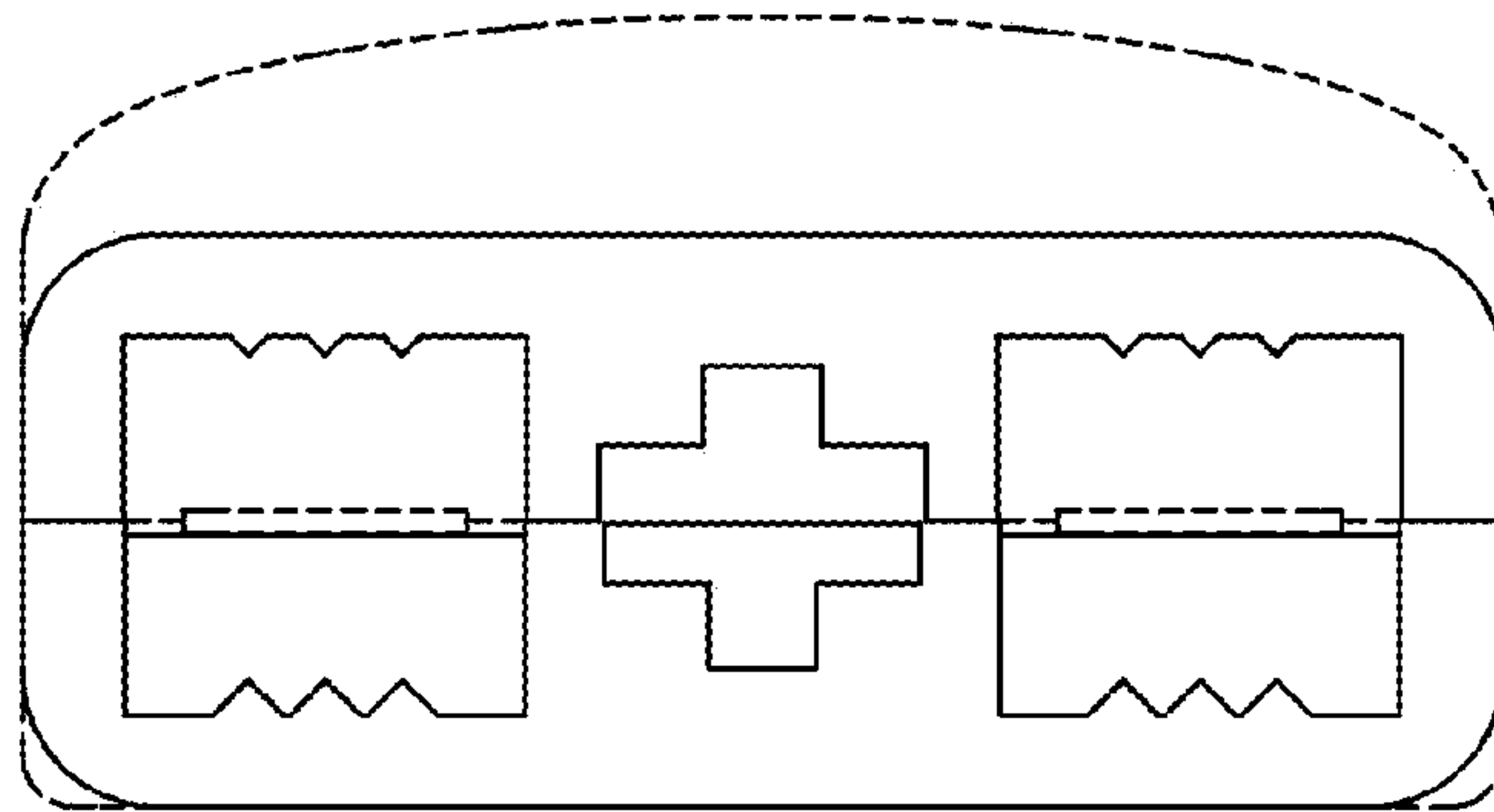


FIG. 3

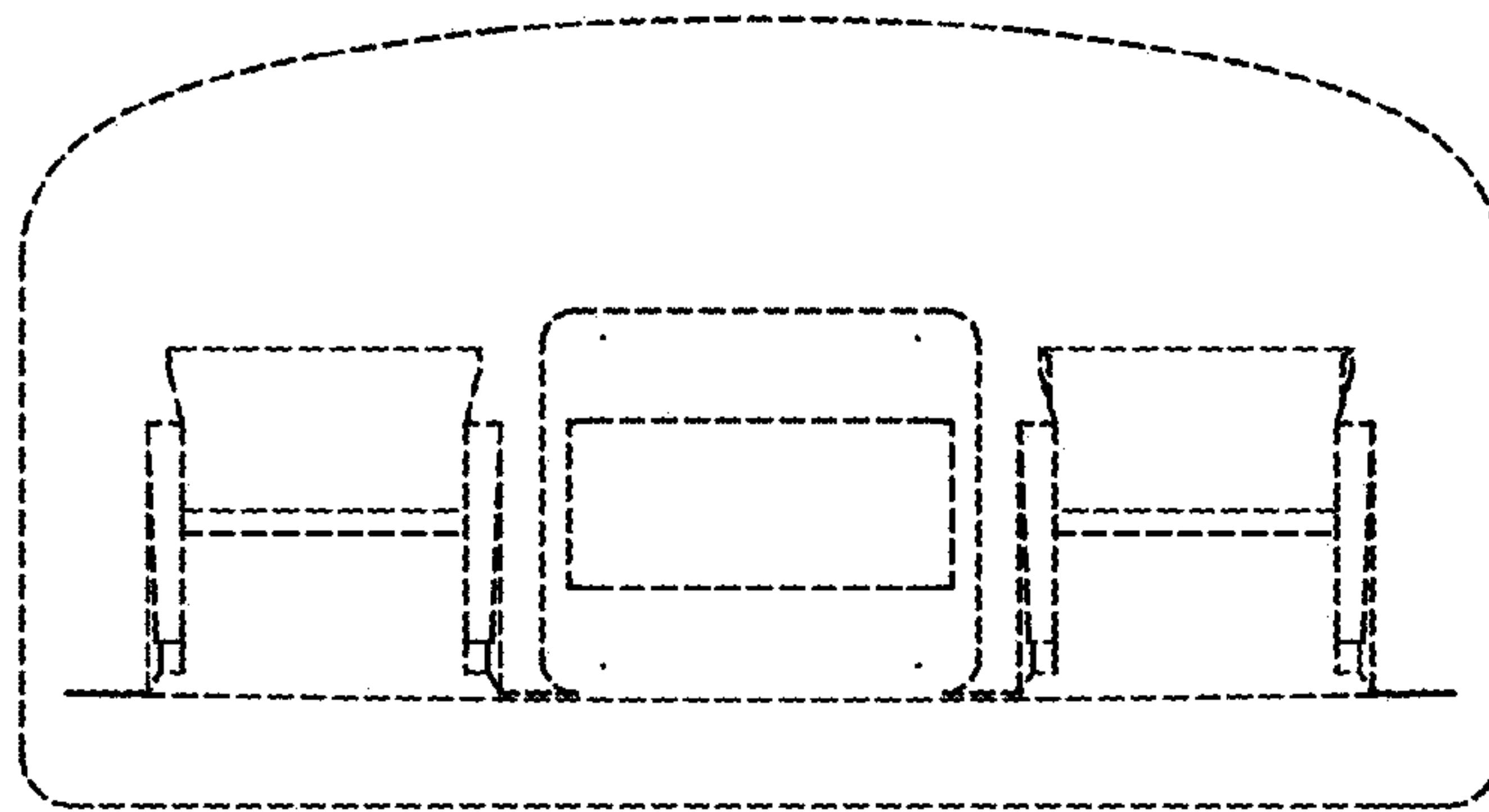


FIG. 4

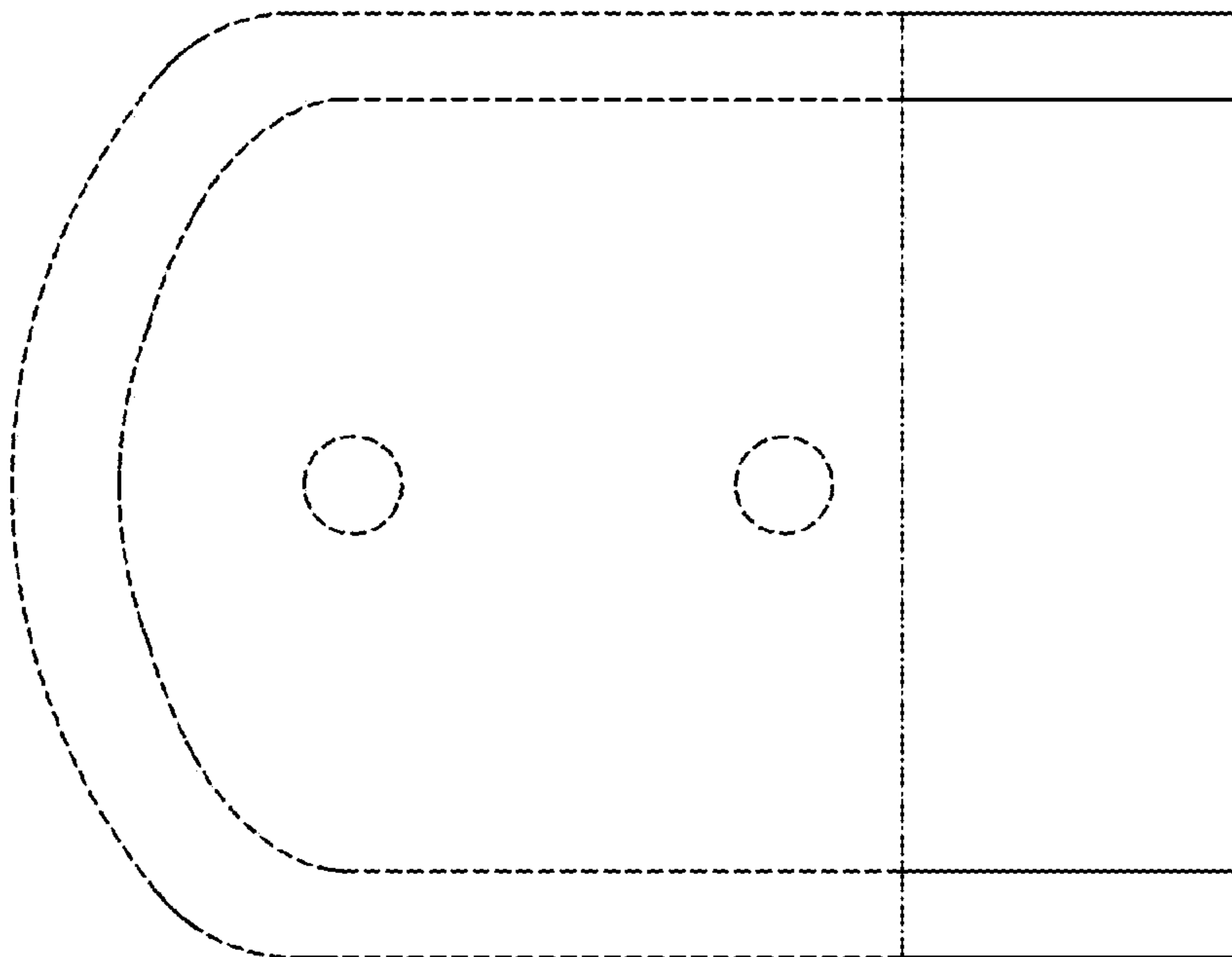


FIG. 5

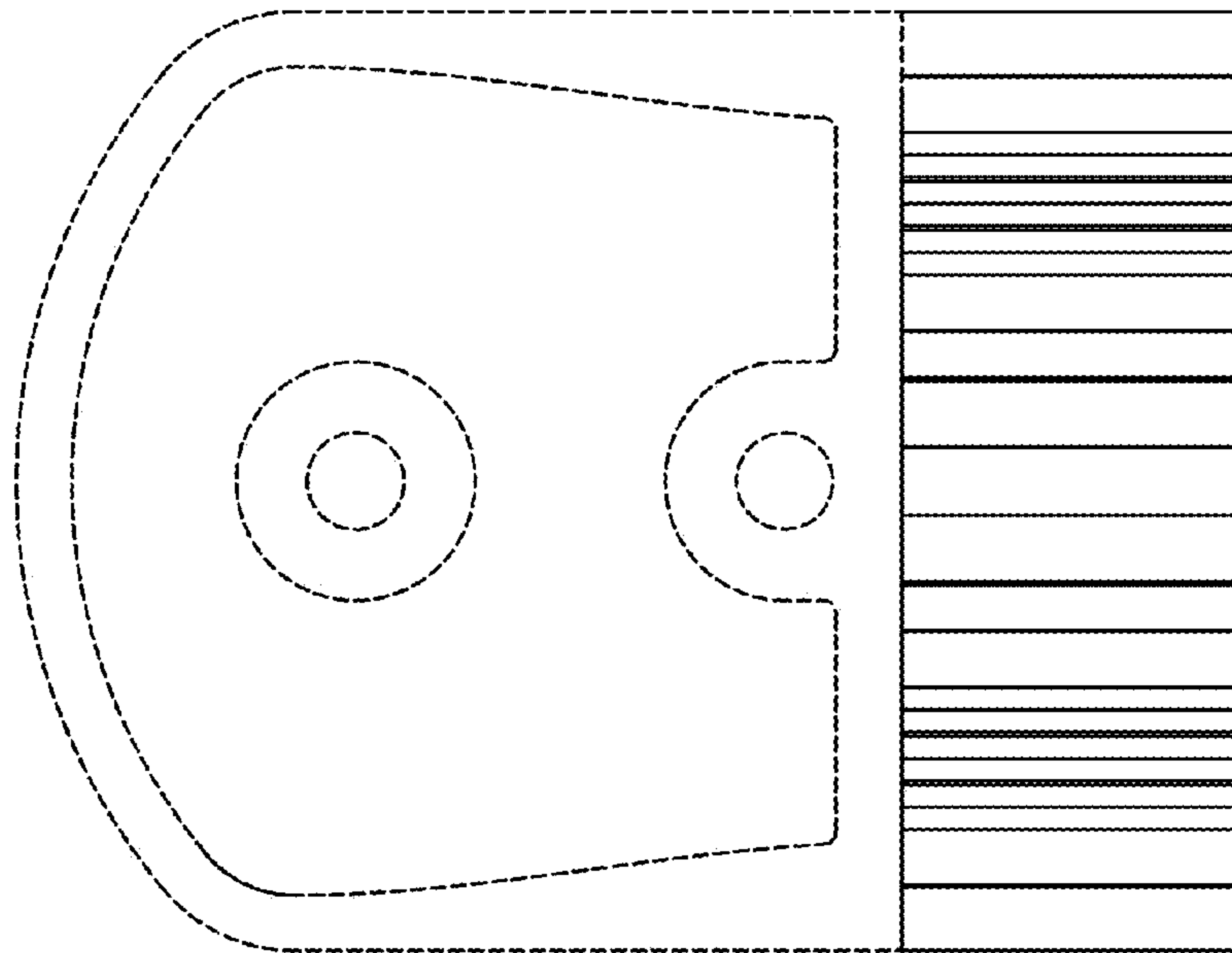


FIG. 6

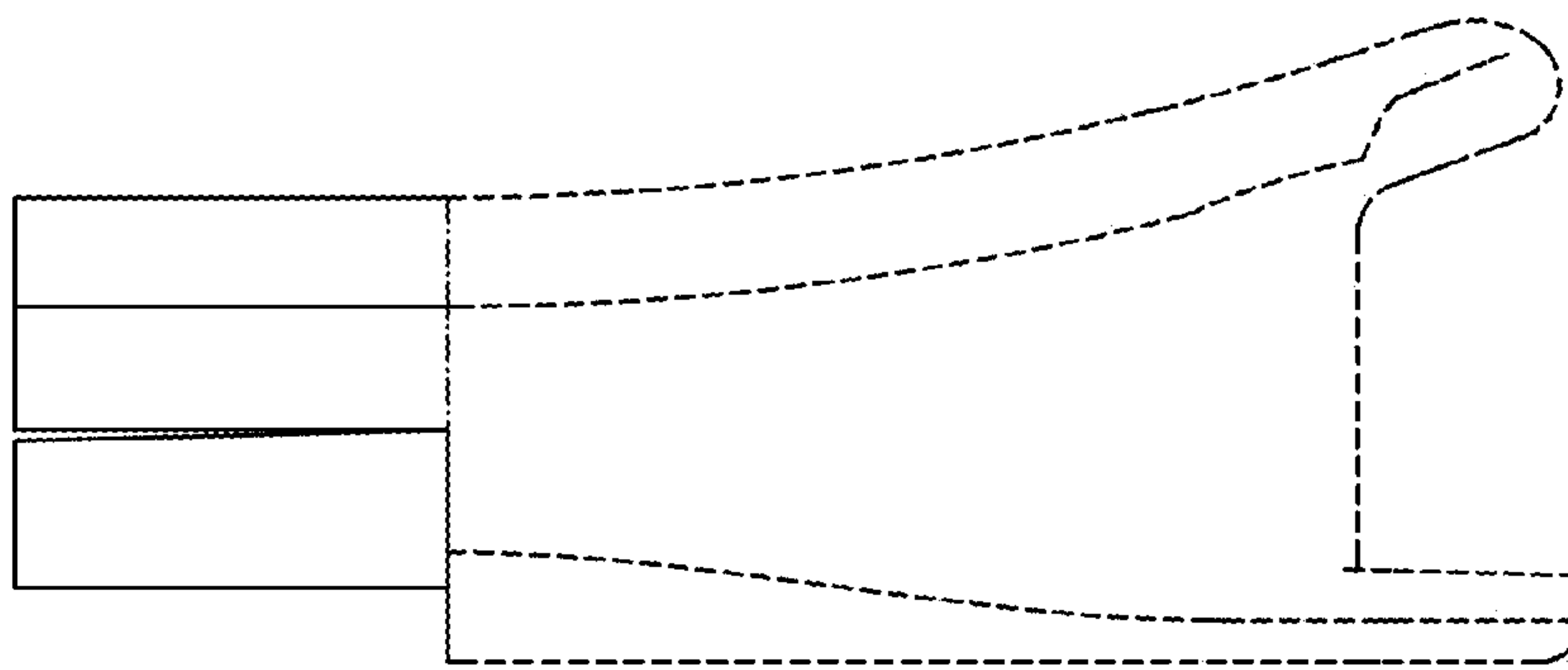


FIG. 7

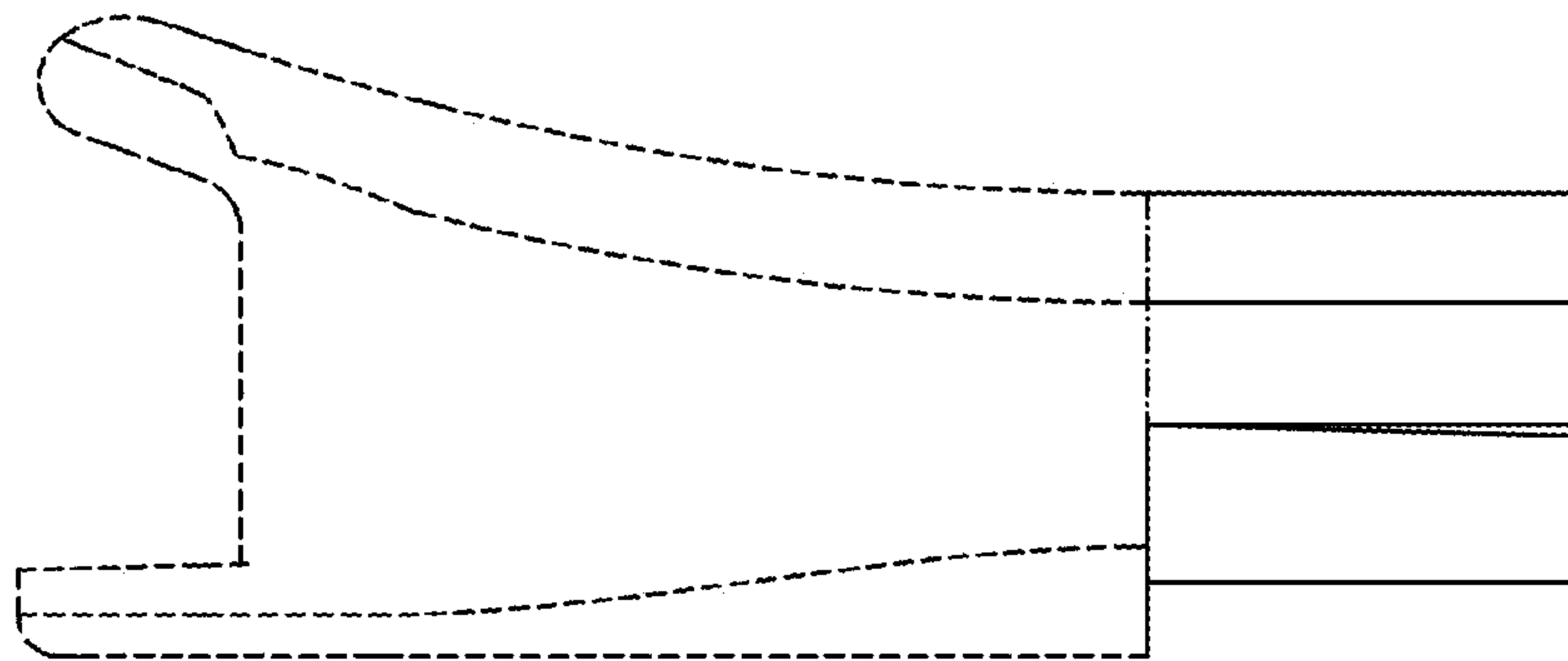


FIG. 8