



US00D736160S

(12) **United States Design Patent**
Chen et al.

(10) **Patent No.:** **US D736,160 S**
(45) **Date of Patent:** **** Aug. 11, 2015**

(54) **CONNECTOR**

(71) Applicant: **IDEAL INDUSTRIES, INC.**,
Sycamore, IL (US)

(72) Inventors: **Mu Chen**, Andover, MA (US); **Brian Francis Davies**, Acton, MA (US)

(73) Assignee: **IDEAL Industries, Inc.**, Sycamore, IL (US)

(**) Term: **14 Years**

(21) Appl. No.: **29/484,258**

(22) Filed: **Mar. 7, 2014**

(51) **LOC (10) Cl.** **13-03**

(52) **U.S. Cl.**
USPC **D13/146**

(58) **Field of Classification Search**
USPC D13/146, 147, 154, 184, 199; 439/266,
439/345, 350, 352, 357, 358, 595, 626, 660,
439/677, 680, 682, 752
See application file for complete search history.

(56) **References Cited**

U.S. PATENT DOCUMENTS

D366,242 S * 1/1996 Goto D13/147
D451,886 S * 12/2001 Goto D13/147

D457,194 S * 5/2002 Goto D21/333
D479,199 S * 9/2003 Jones et al. D13/147
D483,017 S * 12/2003 Goto D13/147
D646,223 S * 10/2011 Gouhl et al. D13/146
D653,620 S * 2/2012 Gouhl et al. D13/146
D660,801 S * 5/2012 Smith D13/146

* cited by examiner

Primary Examiner — Daniel Bui

(74) *Attorney, Agent, or Firm* — Greenberg Traurig, LLP

(57) **CLAIM**

An ornamental design for a connector, as shown and described.

DESCRIPTION

FIG. 1 is a front perspective view of a connector showing our new invention;

FIG. 2 is a rear perspective view thereof;

FIG. 3 is a front view thereof;

FIG. 4 is a rear view thereof;

FIG. 5 is a top plan view thereof;

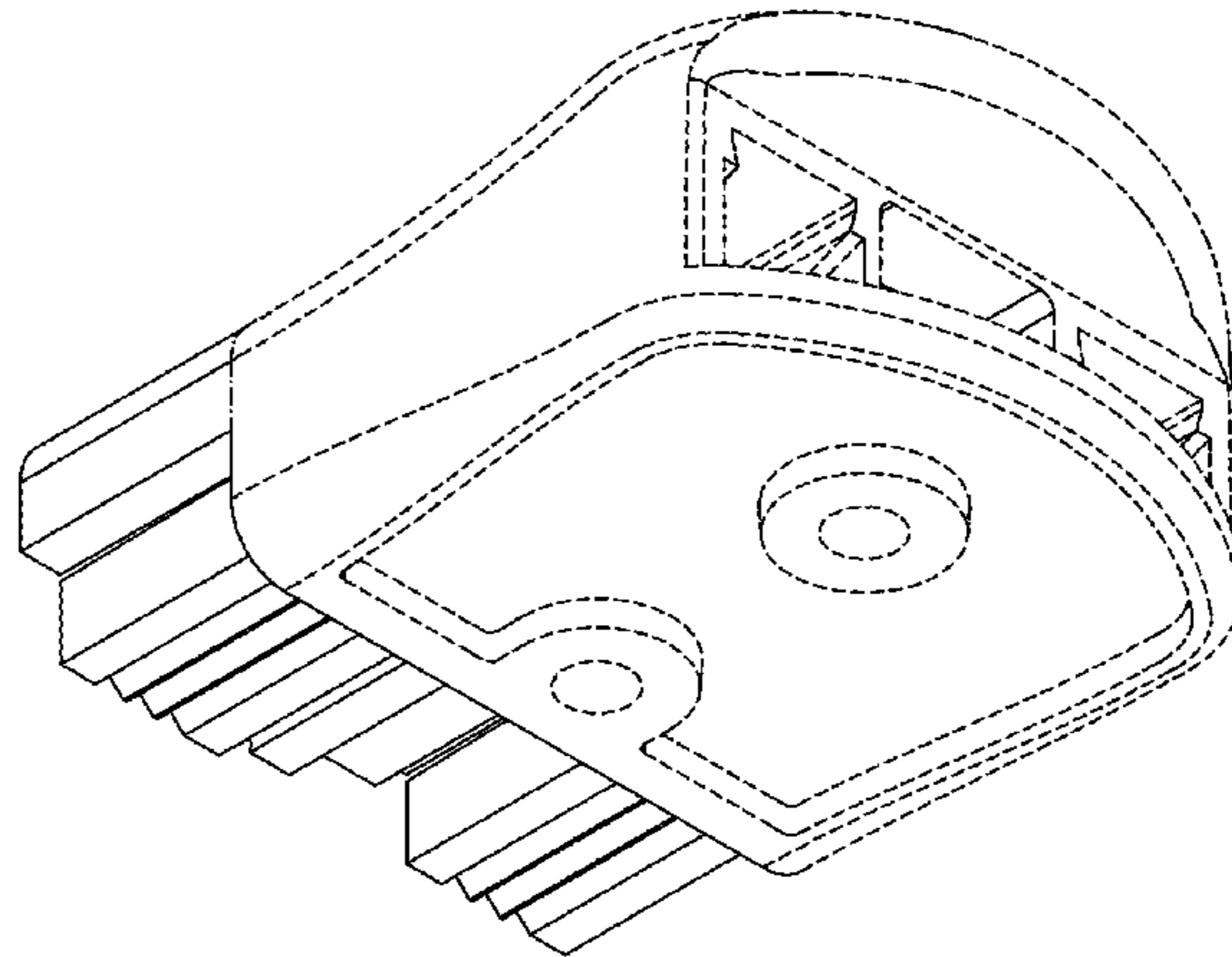
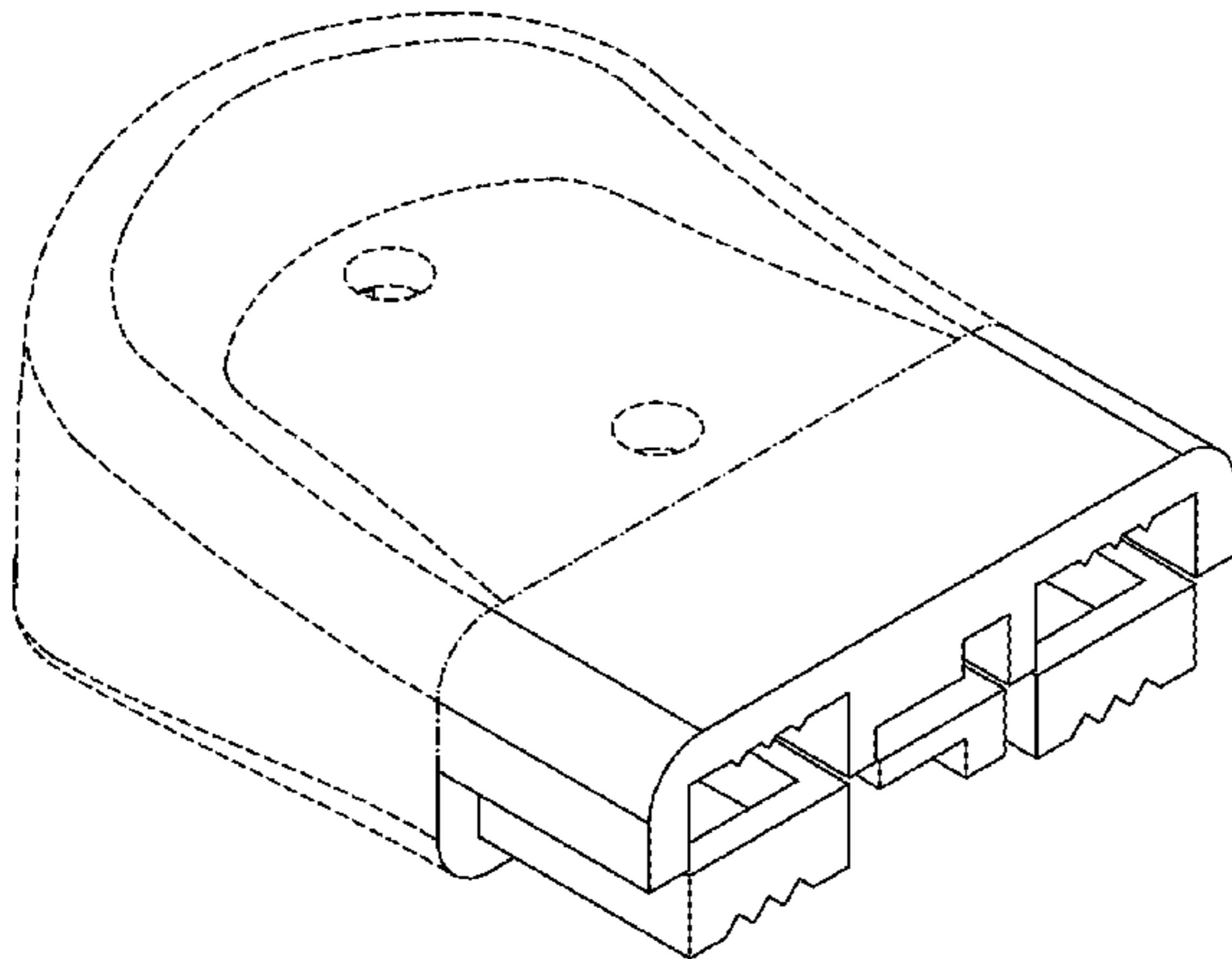
FIG. 6 is a bottom plan view thereof;

FIG. 7 is a left side view thereof; and,

FIG. 8 is a right side view thereof.

The broken line shown in the drawings represents unclaimed environment and forms no part of the claimed design. The dash-dot line represents the boundaries of the claimed design.

1 Claim, 8 Drawing Sheets



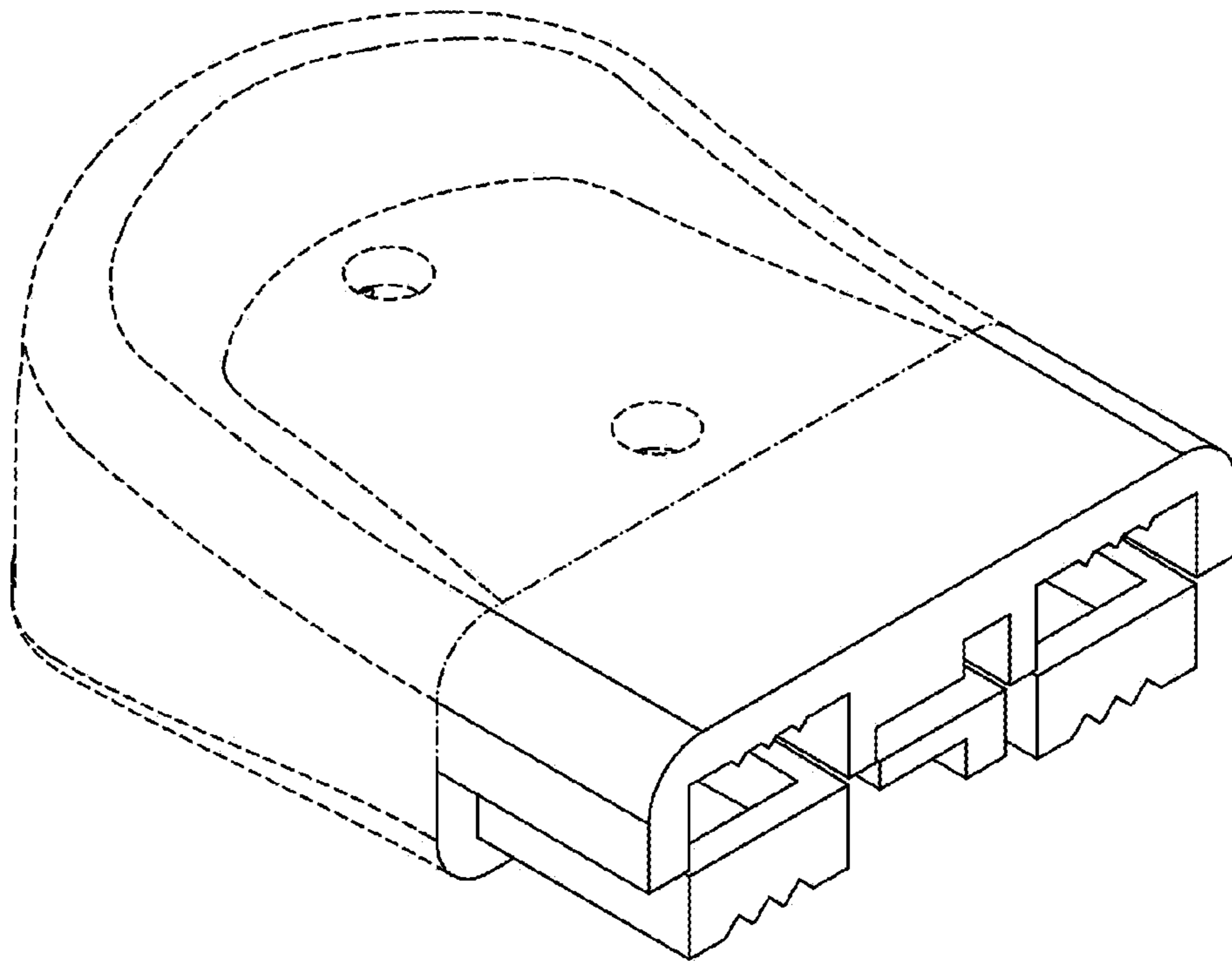


FIG. 1

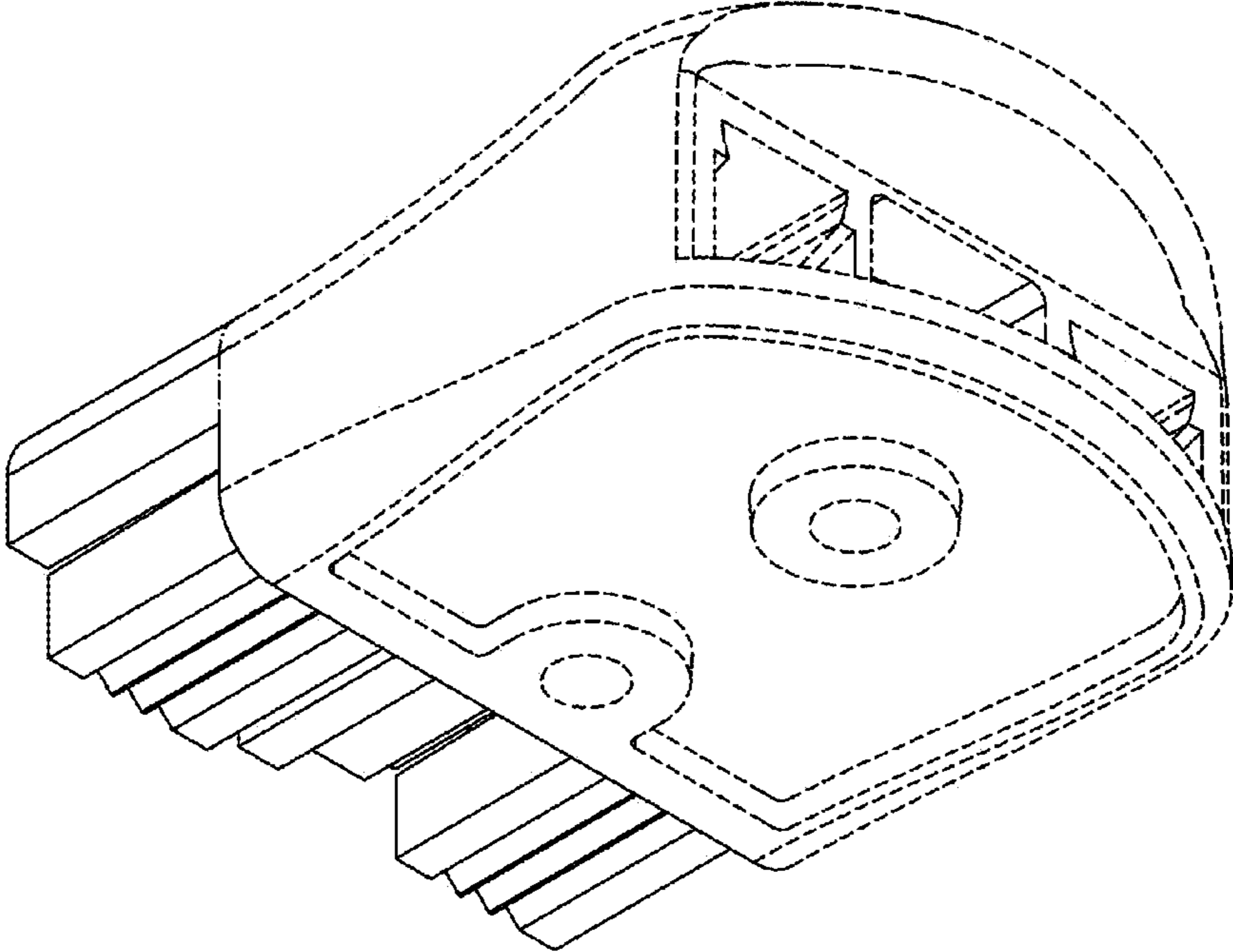


FIG. 2

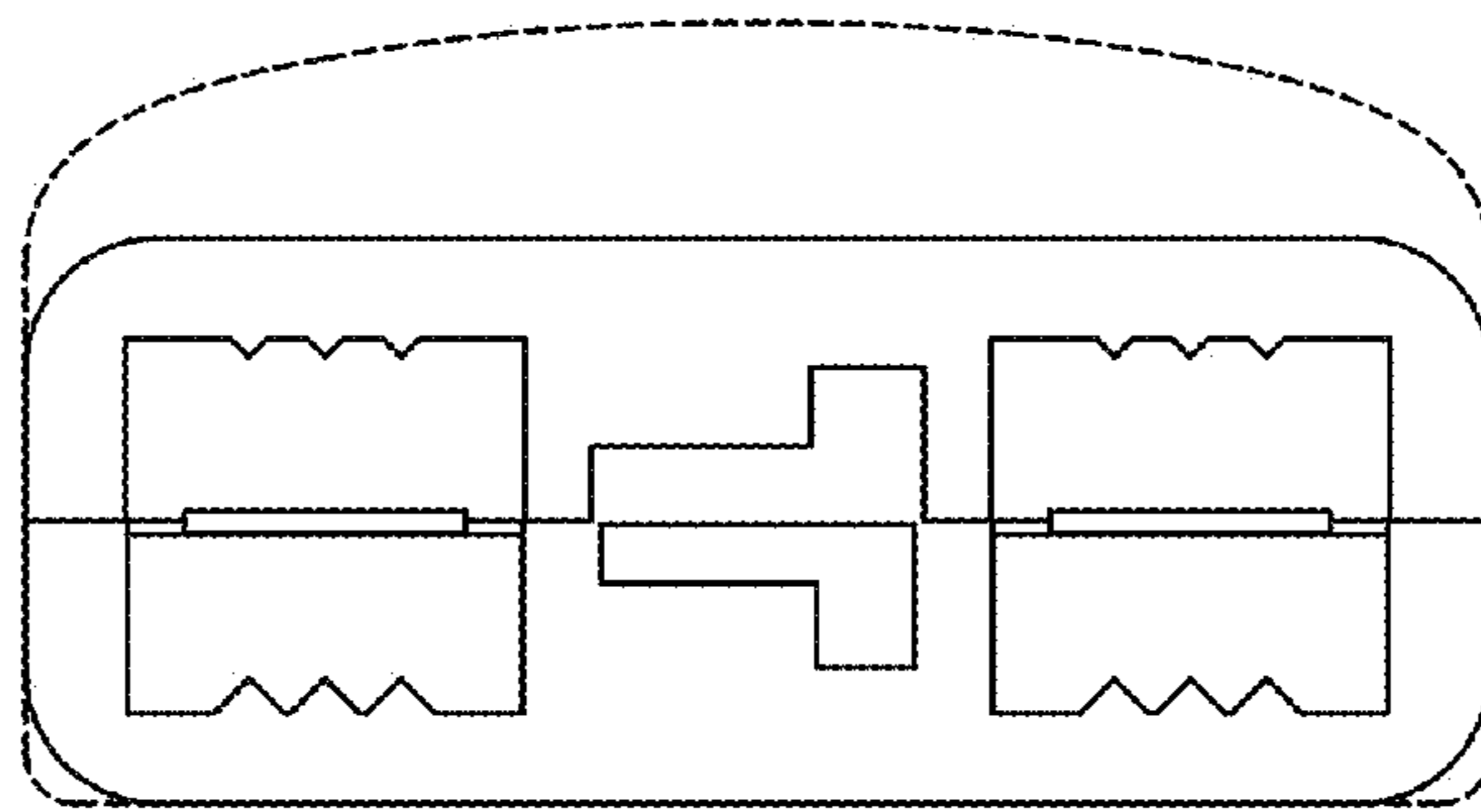


FIG. 3

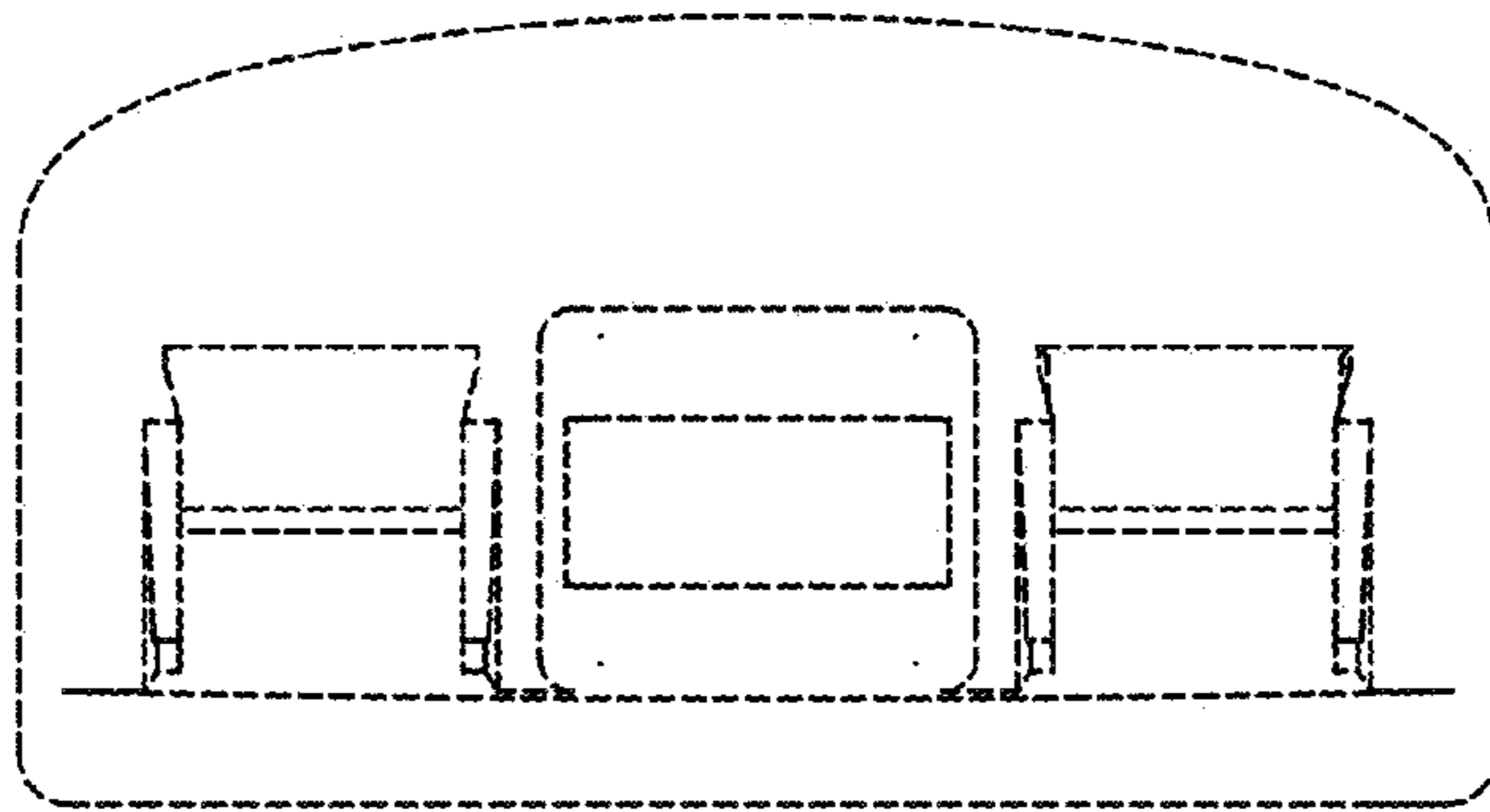


FIG. 4

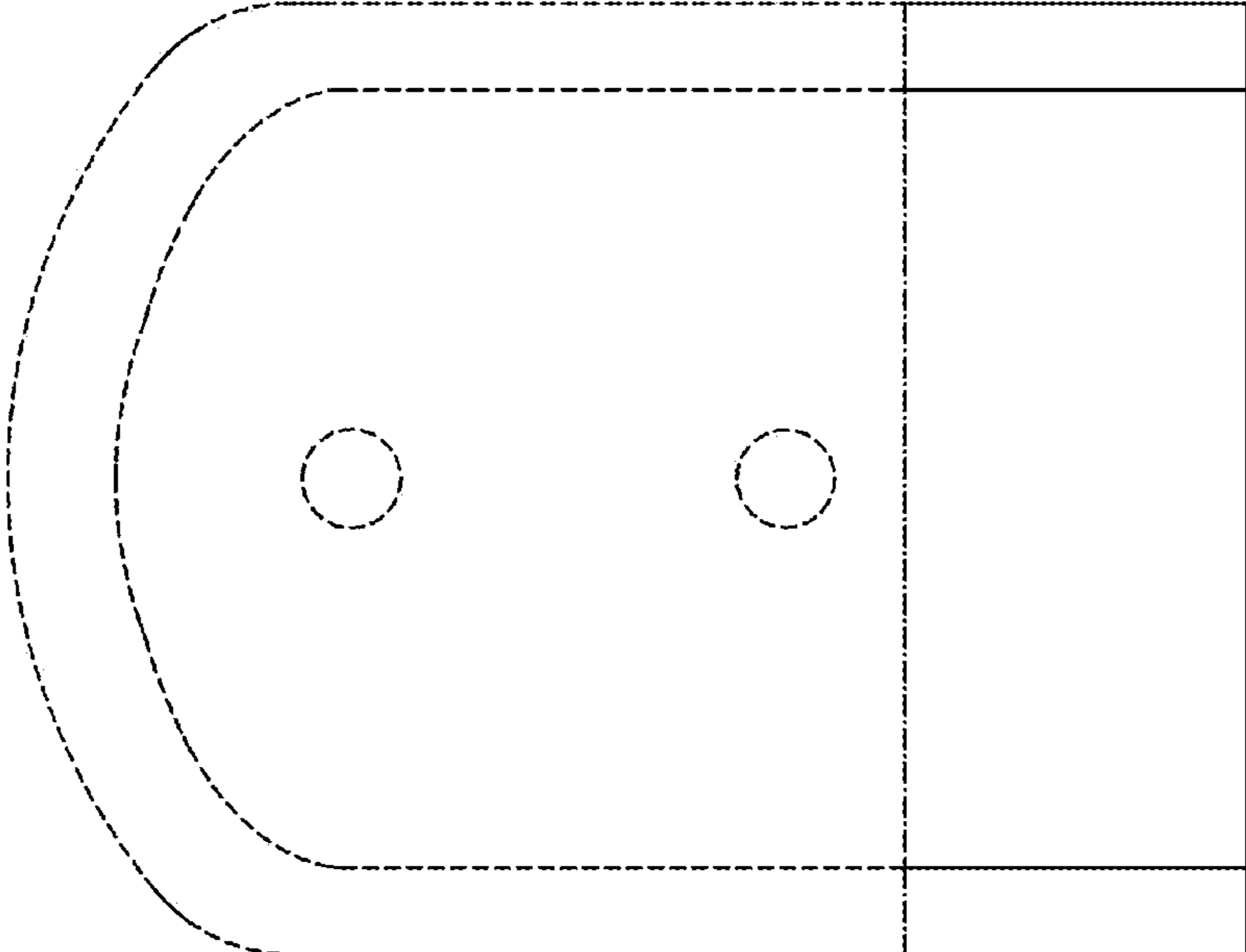


FIG. 5

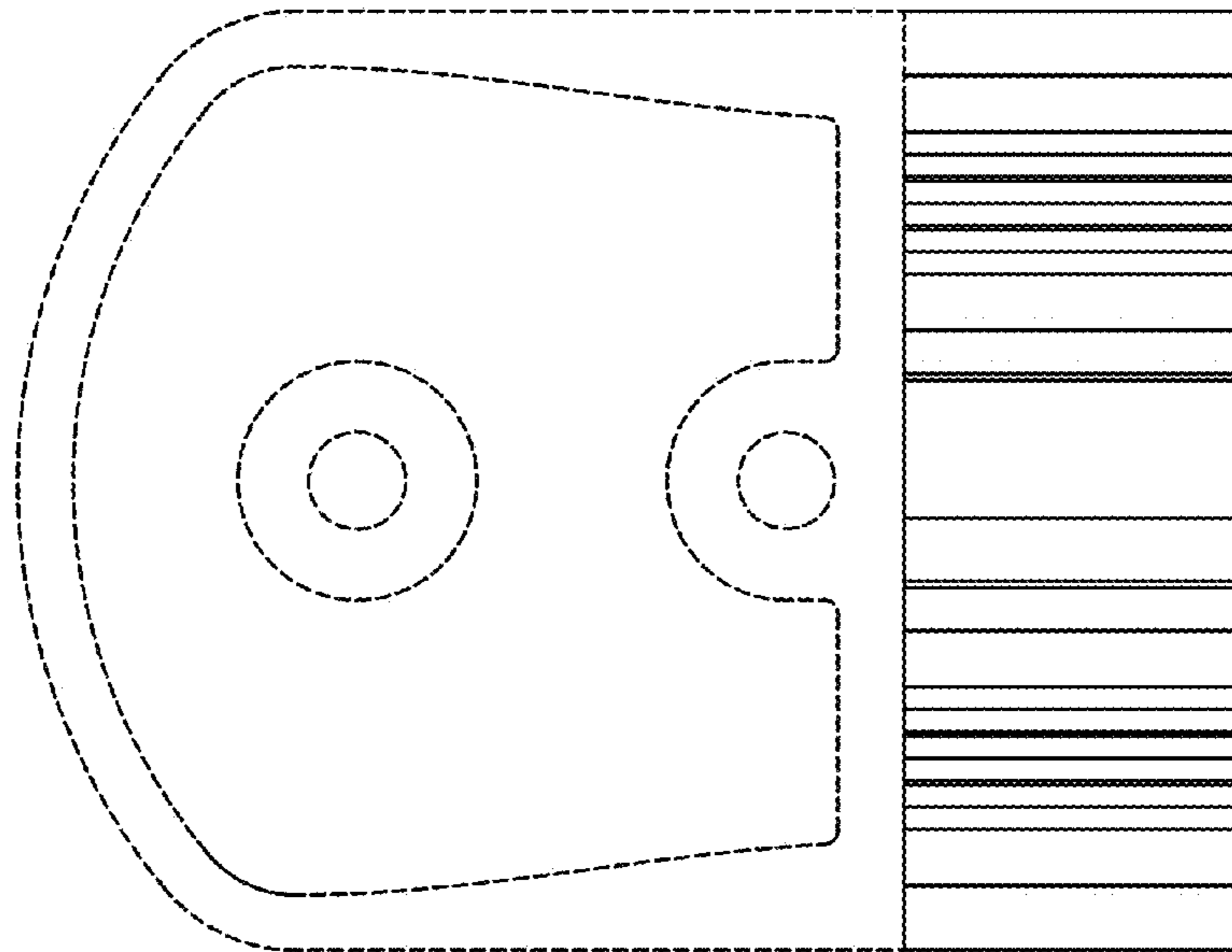


FIG. 6

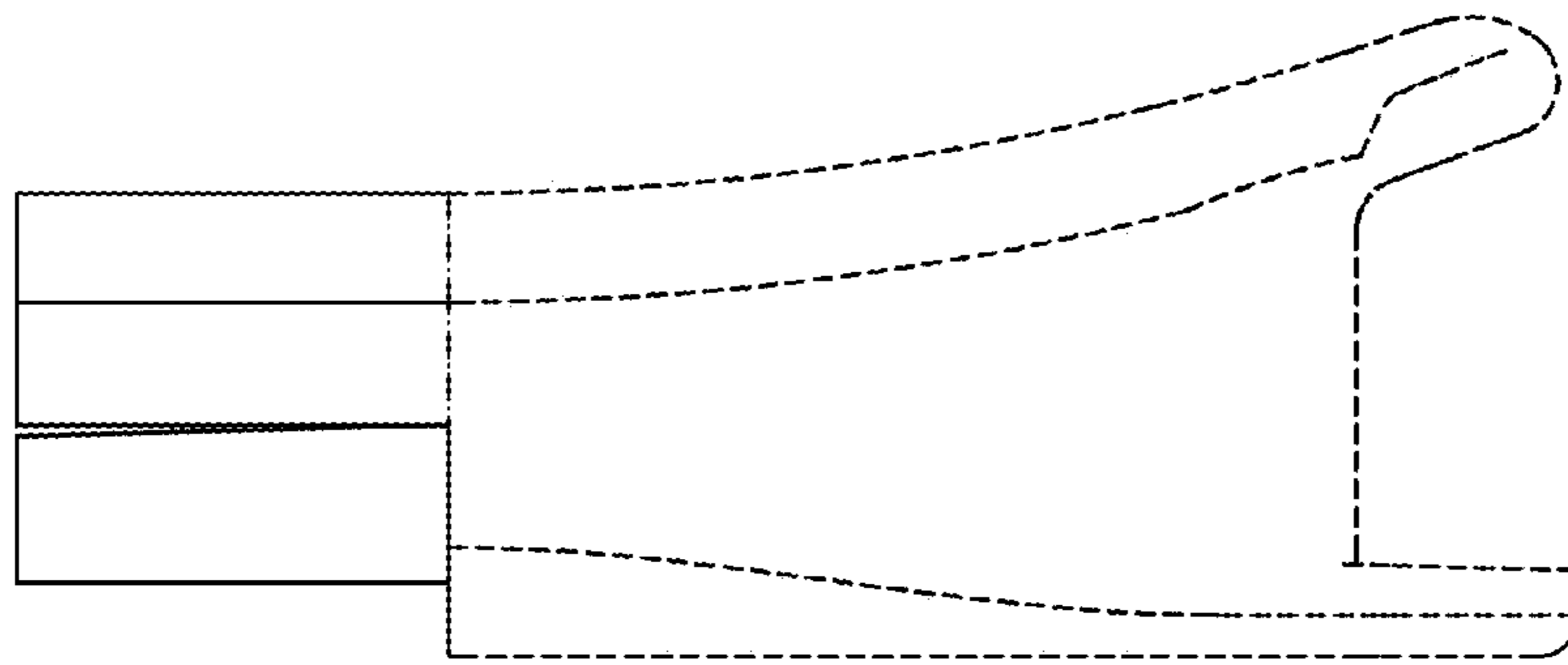


FIG. 7

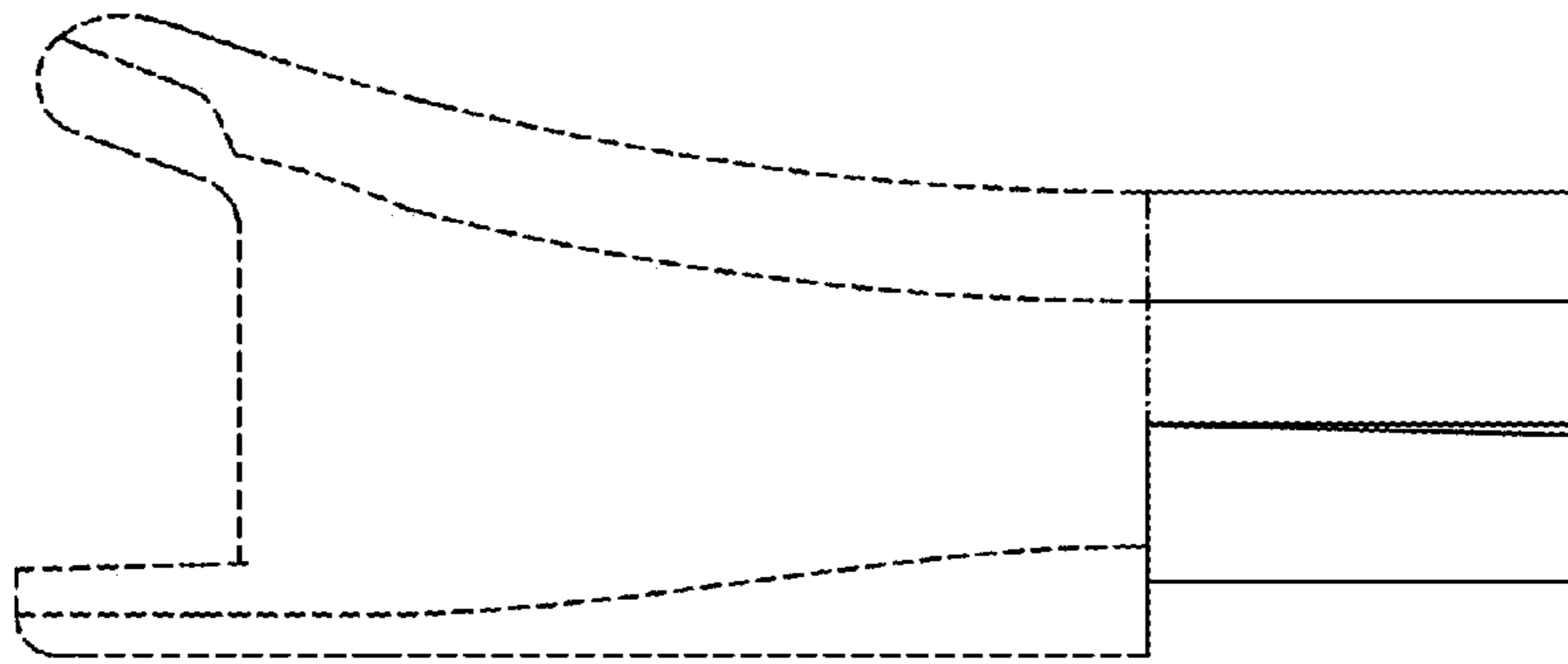


FIG. 8