



US00D736159S

(12) **United States Design Patent**  
**Byrne et al.**

(10) **Patent No.:** **US D736,159 S**  
(45) **Date of Patent:** **\*\* Aug. 11, 2015**

(54) **ELECTRICAL POWER UNIT FOR A WORK SURFACE**

(71) Applicants: **Daniel P. Byrne**, Lowell, MI (US);  
**Chad Zimmerman**, Hastings, MI (US);  
**William F. Schacht**, Grand Rapids, MI (US);  
**Randell E. Pate**, Jenison, MI (US);  
**Brent A. Reame**, Grand Rapids, MI (US);  
**Timothy J. Warwick**, Sparta, MI (US)

(72) Inventors: **Daniel P. Byrne**, Lowell, MI (US);  
**Chad Zimmerman**, Hastings, MI (US);  
**William F. Schacht**, Grand Rapids, MI (US);  
**Randell E. Pate**, Jenison, MI (US);  
**Brent A. Reame**, Grand Rapids, MI (US);  
**Timothy J. Warwick**, Sparta, MI (US)

(\*\*) Term: **14 Years**

(21) Appl. No.: **29/452,254**

(22) Filed: **Apr. 15, 2013**

(51) **LOC (10) Cl.** ..... **13-03**

(52) **U.S. Cl.**  
USPC ..... **D13/139.4**

(58) **Field of Classification Search**  
USPC ..... D13/137.1-137.4, 139.1-139.8, 199,  
D13/108; 220/3.2-3.8, 3.94; 174/56, 48, 55,  
174/57, 392, 490, 53, 58; 439/539, 131,  
439/214, 215, 535, 538, 544, 571, 721, 652,  
439/738, 723, 620.22, 137; 361/753, 56  
See application file for complete search history.

(56) **References Cited**

**U.S. PATENT DOCUMENTS**

3,049,688	A	8/1962	Sinopoli	
D195,463	S	6/1963	Tamarin	
4,240,688	A *	12/1980	Sotolongo	439/535
4,323,723	A	4/1982	Fork et al.	
4,463,998	A *	8/1984	Reavis et al.	439/137
D288,298	S	2/1987	Yang	
D306,012	S *	2/1990	Oesterheld et al.	D13/139.8

5,195,288	A	3/1993	Penczak	
D350,939	S *	9/1994	Rossmann et al.	D13/139.8
D368,893	S *	4/1996	Harwood et al.	D13/139.8
5,566,053	A *	10/1996	Chou	361/753
D382,855	S *	8/1997	Salmond et al.	D13/139.8
D389,459	S	1/1998	Byrne	
5,738,548	A	4/1998	Rutulante	
5,748,424	A *	5/1998	Hung	361/56
D405,416	S	2/1999	Byrne	
D407,374	S	3/1999	Byrne	
D412,698	S	8/1999	Byrne	
5,964,618	A	10/1999	McCarthy	
5,984,728	A *	11/1999	Chen et al.	439/620.22
6,004,157	A	12/1999	Glass	
6,081,356	A	6/2000	Branc et al.	
6,200,159	B1	3/2001	Chou	
6,379,182	B1	4/2002	Byrne	

(Continued)

*Primary Examiner* — Holly Baynham

*Assistant Examiner* — Rhea Shields

(74) *Attorney, Agent, or Firm* — Gardner, Linn, Burkhardt & Flory, LLP

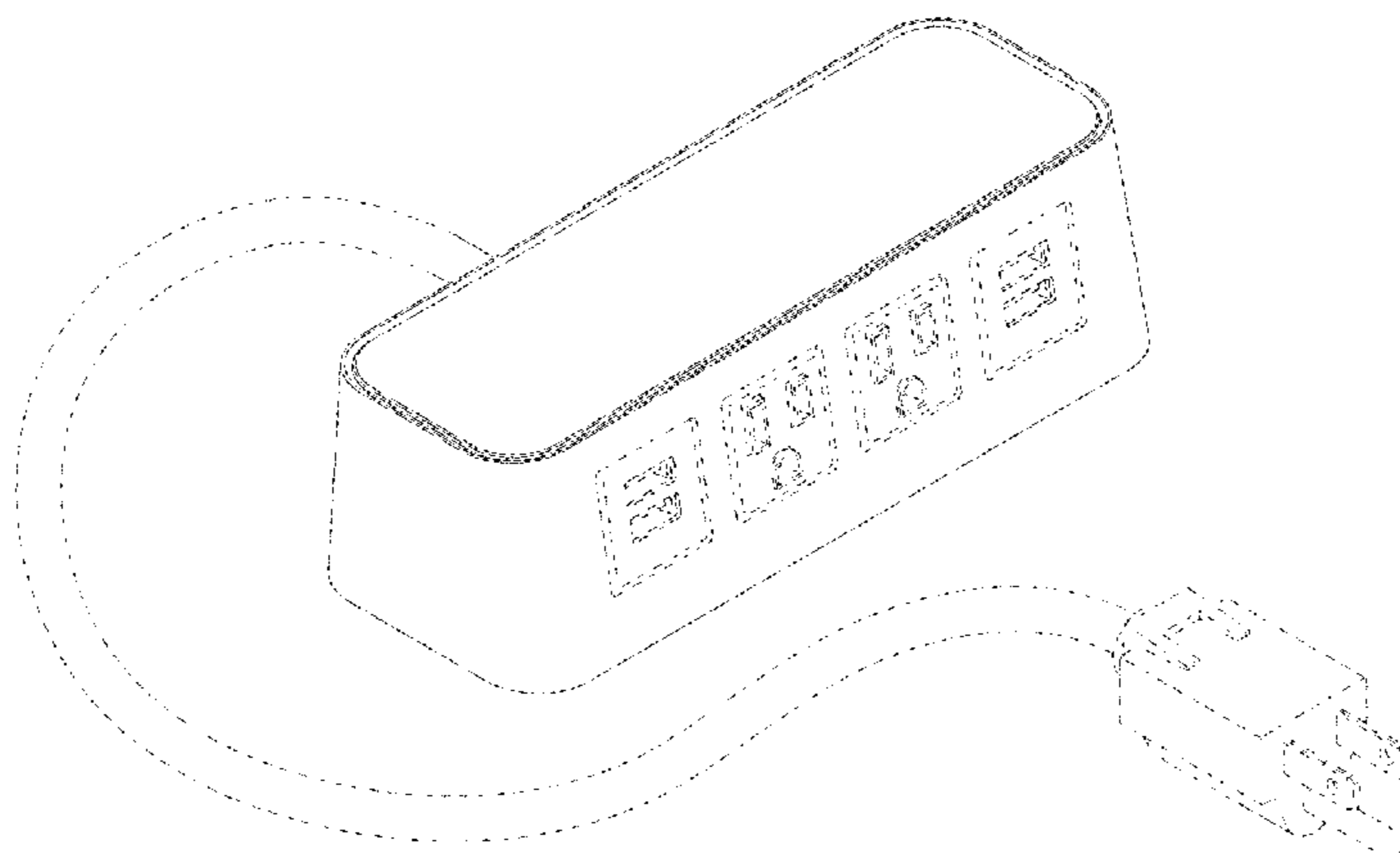
(57) **CLAIM**

The ornamental design for an electrical power unit for a work surface, as shown and described.

**DESCRIPTION**

FIG. 1 is a top-front perspective view of an electrical power unit for a work surface showing our new design;  
FIG. 2 is a bottom-rear perspective view of the electrical power unit for a work surface of FIG. 1;  
FIG. 3 is a top plan view of the electrical power unit for a work surface of FIG. 1;  
FIG. 4 is a bottom plan view of the electrical power unit for a work surface of FIG. 1;  
FIG. 5 is a rear elevation of the electrical power unit for a work surface of FIG. 1;  
FIG. 6 is a front elevation of the electrical power unit for a work surface of FIG. 1;  
FIG. 7 is a right side elevation of the electrical power unit for a work surface of FIG. 1; and,  
FIG. 8 is a left side elevation of the electrical power unit for a work surface of FIG. 1. In the drawings, the broken lines depict unclaimed subject matter only and form no part of the claimed design.

**1 Claim, 3 Drawing Sheets**



(56)

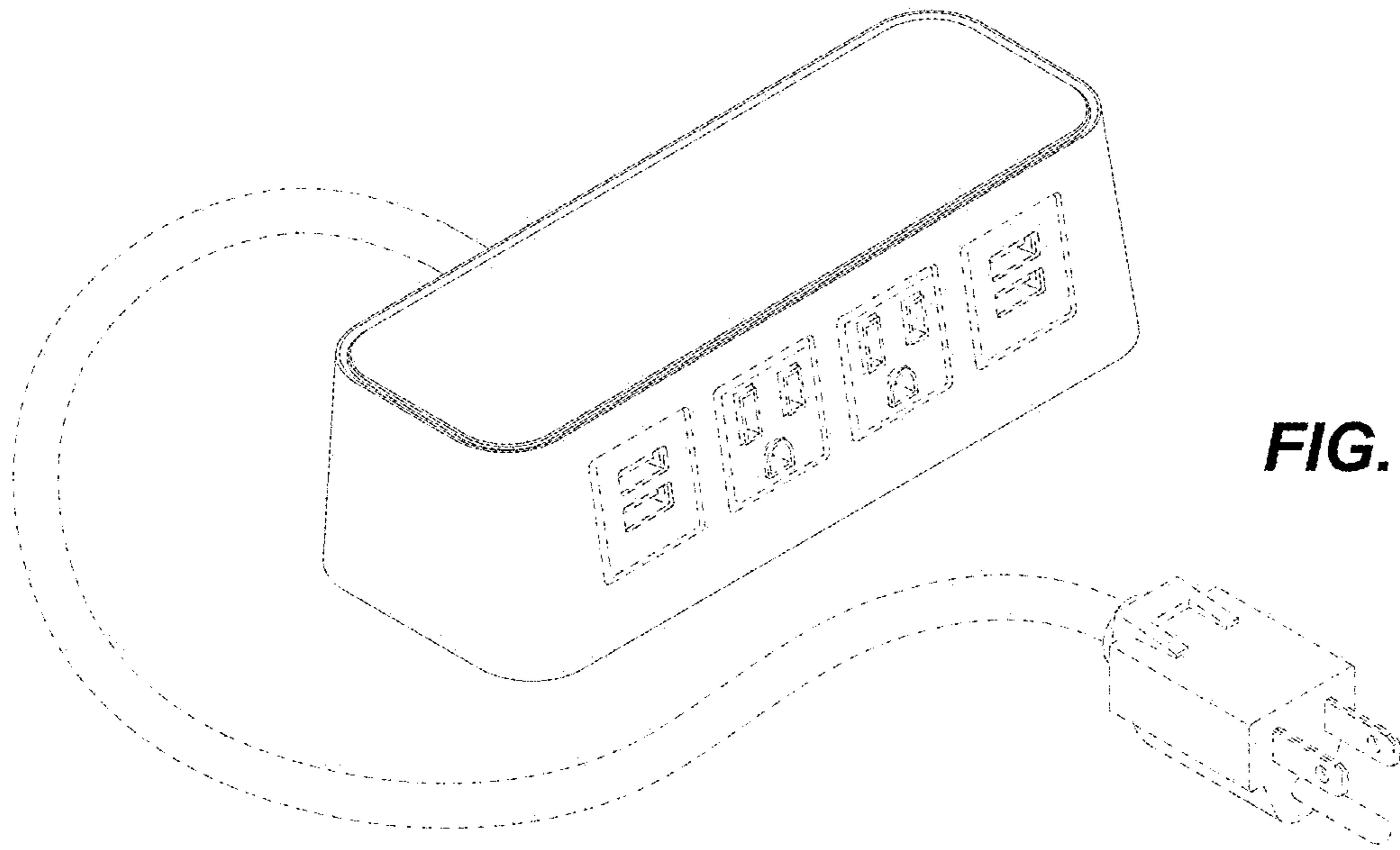
**References Cited**

U.S. PATENT DOCUMENTS

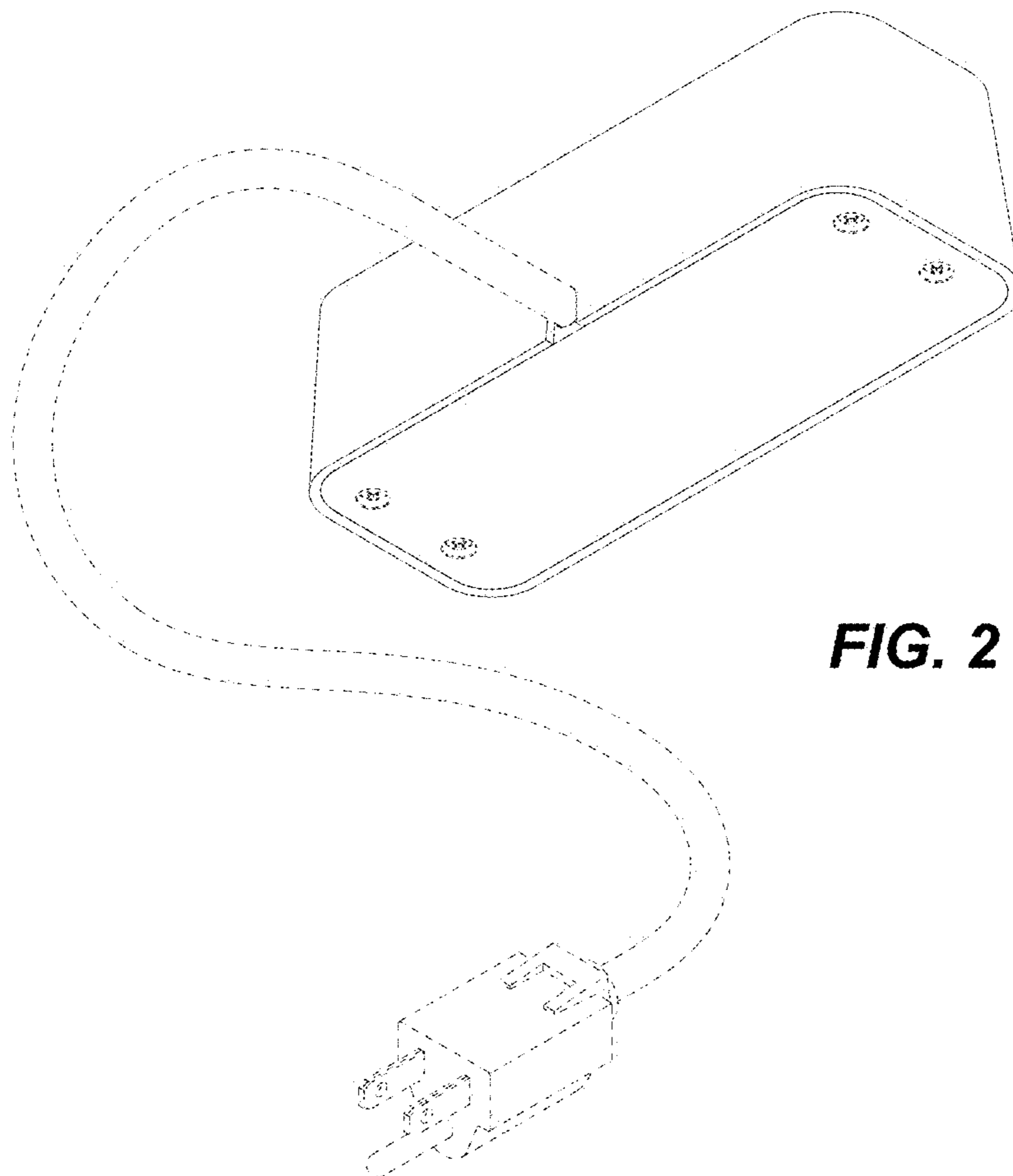
6,492,591 B1 12/2002 Metcalf  
6,717,053 B2 4/2004 Rupert  
6,875,051 B2 4/2005 Pizak  
6,971,911 B2 12/2005 Ramsey et al.  
7,001,211 B2 2/2006 Lichtscheidl et al.  
7,083,421 B1 8/2006 Mori

D528,508 S \* 9/2006 Tan et al. .... D13/139.8  
7,112,097 B1 9/2006 Lam  
D591,233 S \* 4/2009 Kagami et al. .... D13/108  
D626,071 S \* 10/2010 Su et al. .... D13/139.8  
D651,974 S \* 1/2012 Benedetti ..... D13/137.2  
D653,215 S 1/2012 Lam  
2006/0258195 A1 11/2006 Schwartz et al.  
2007/0275594 A1 11/2007 Greenberg  
2009/0294147 A1\* 12/2009 Stockton ..... 174/56

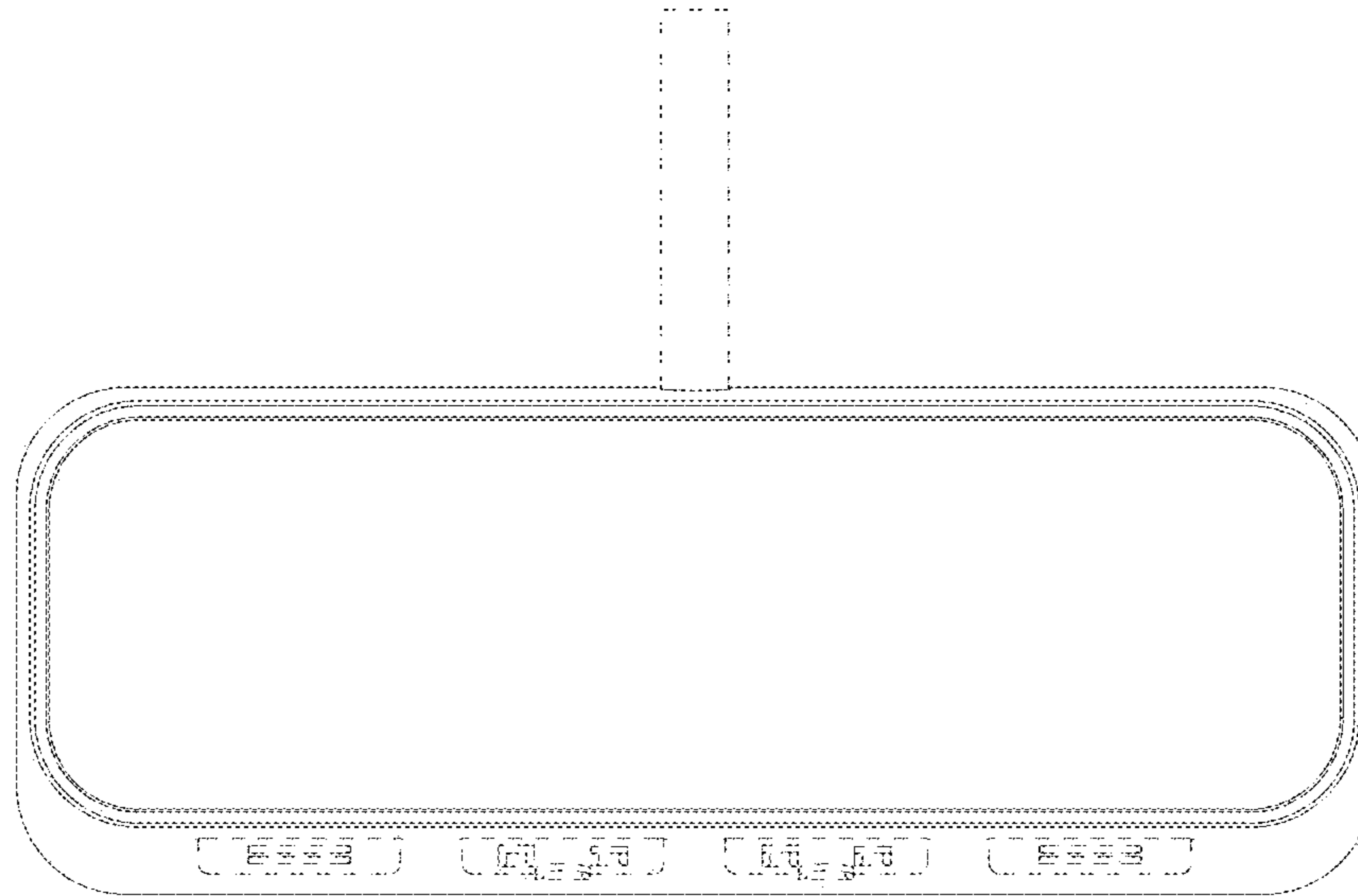
\* cited by examiner



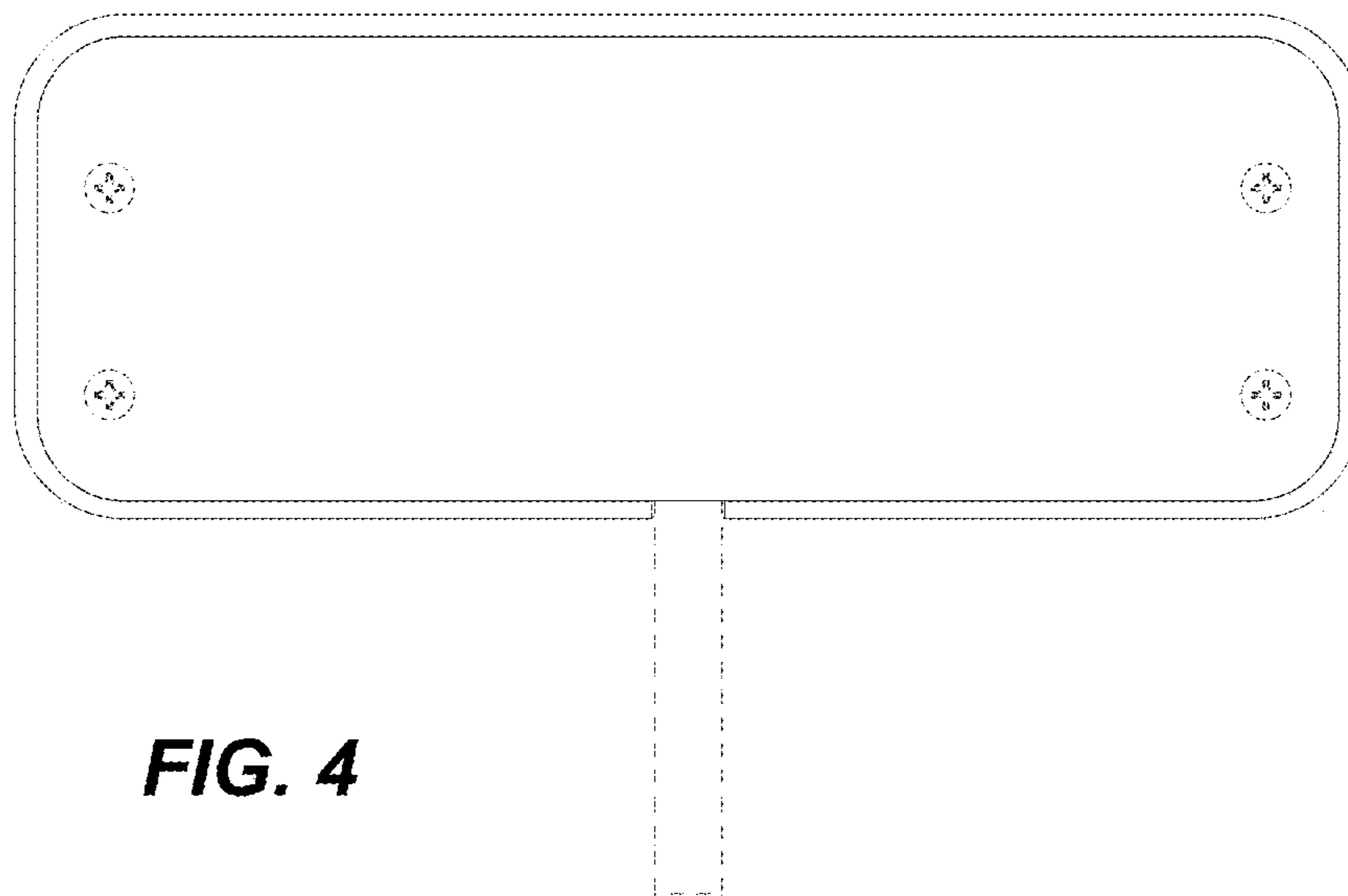
**FIG. 1**



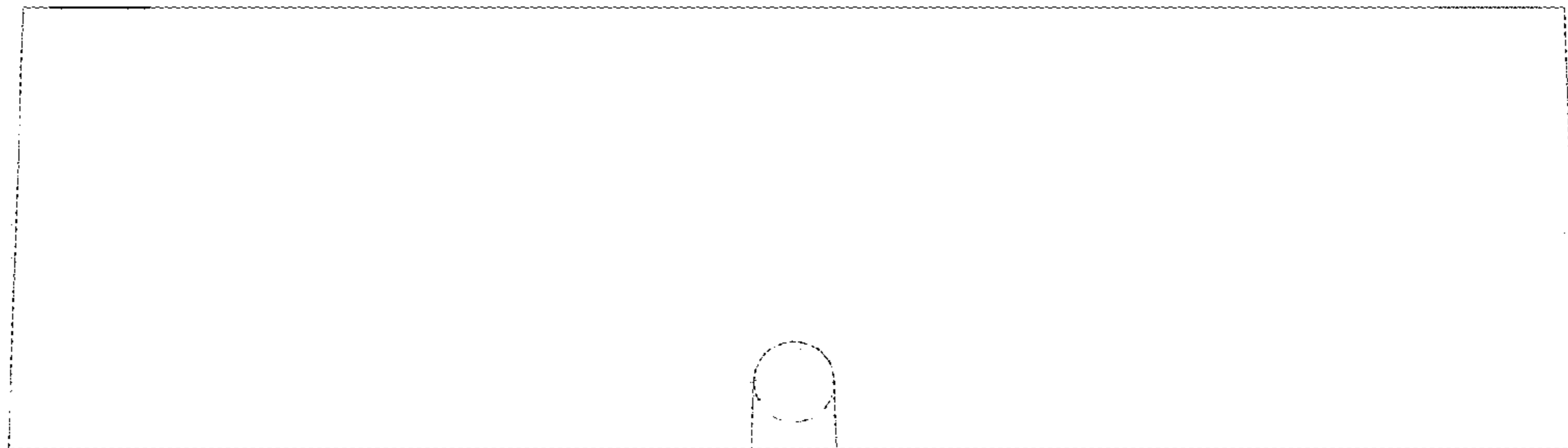
**FIG. 2**



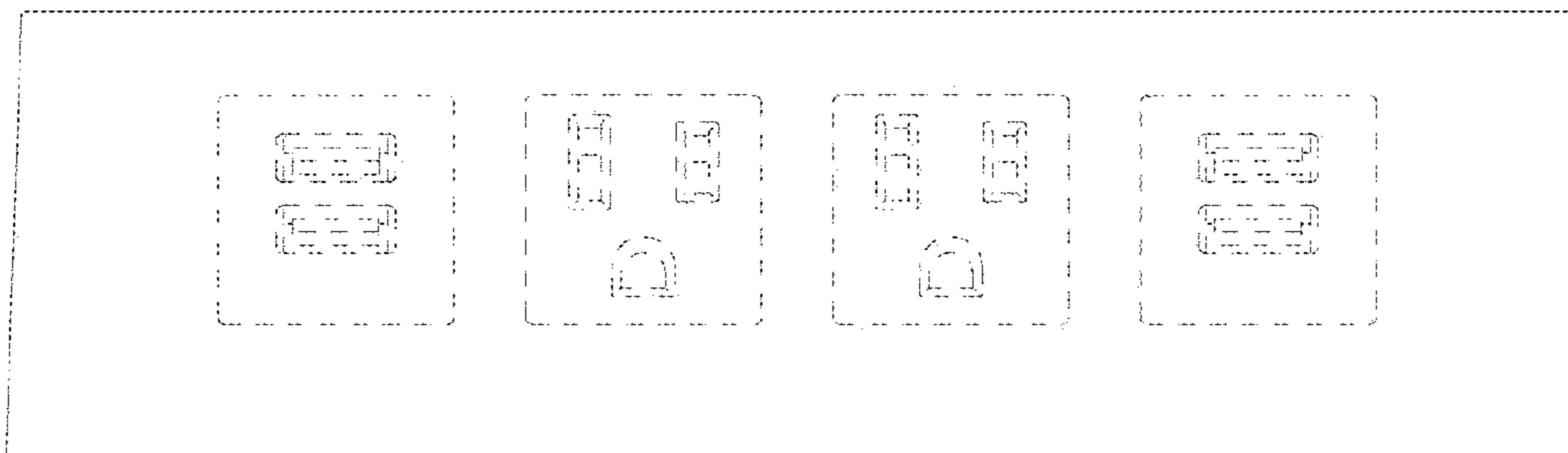
**FIG. 3**



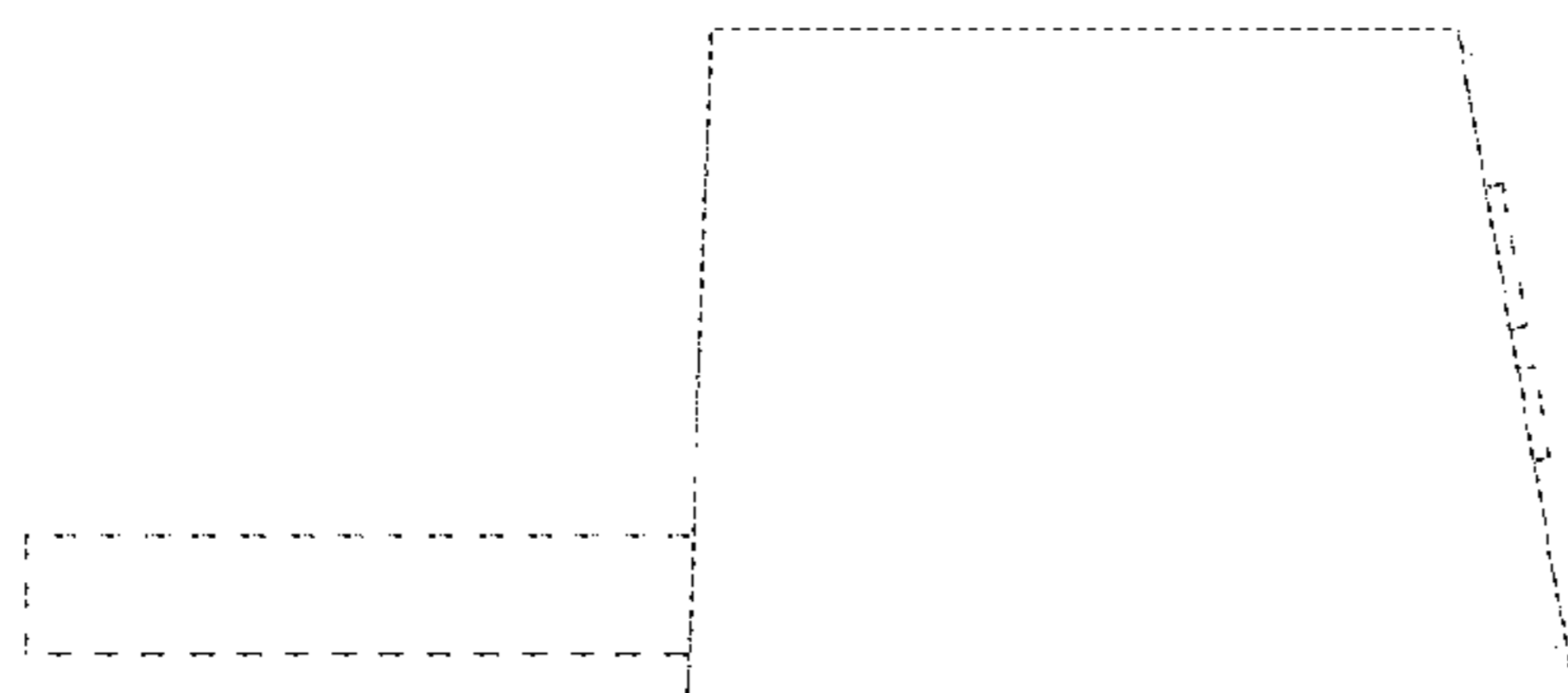
**FIG. 4**



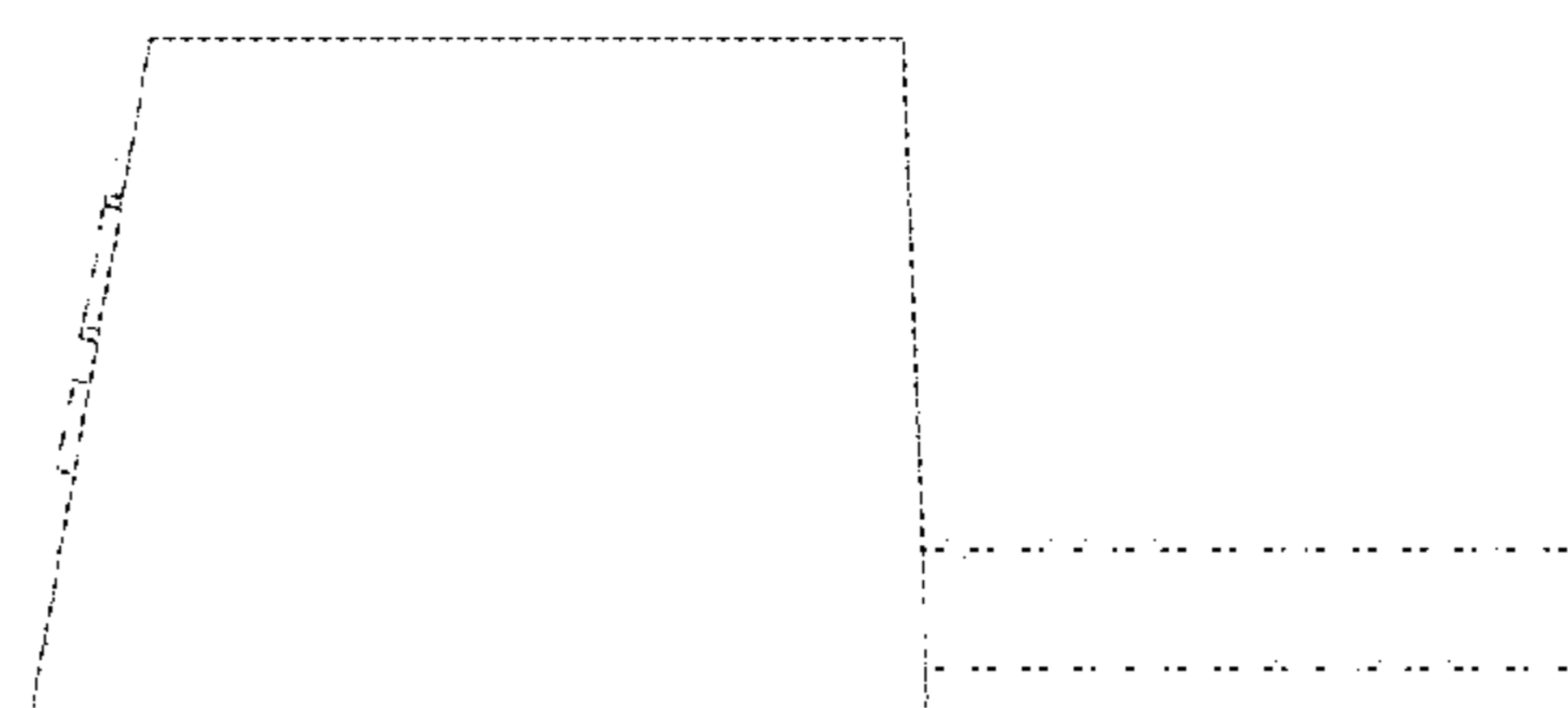
**FIG. 5**



**FIG. 6**



**FIG. 7**



**FIG. 8**