



US00D736158S

(12) **United States Design Patent**  
**Rayner**

(10) **Patent No.:** **US D736,158 S**

(45) **Date of Patent:** **\*\* Aug. 11, 2015**

(54) **ELECTRONIC CONNECTOR AND APERTURE PLUG**

(71) Applicant: **TreeFrog Developments, Inc.**, San Diego, CA (US)

(72) Inventor: **Gary Rayner**, Henderson, NV (US)

(73) Assignee: **TREEFROG DEVELOPMENTS, INC.**, San Diego, CA (US)

(\*\*) Term: **14 Years**

(21) Appl. No.: **29/462,336**

(22) Filed: **Aug. 1, 2013**

**Related U.S. Application Data**

(60) Continuation-in-part of application No. 29/438,186, filed on Nov. 27, 2012, now Pat. No. Des. 702,637, which is a division of application No. 29/407,688, filed on Dec. 1, 2011, now Pat. No. Des. 675,161.

(51) **LOC (10) Cl.** ..... **13-03**

(52) **U.S. Cl.**  
USPC ..... **D13/133**

(58) **Field of Classification Search**  
USPC ..... D13/133, 154, 184, 199; 439/180, 246, 439/252, 278, 374, 378, 380, 381, 527, 529, 439/606, 668-669, 675-676, 680, 750-751, 439/892, 894

See application file for complete search history.

(56) **References Cited**

U.S. PATENT DOCUMENTS

D328,280	S	7/1992	Lee	
D399,185	S	10/1998	Lin	
D405,050	S	2/1999	Lee	
D453,322	S	2/2002	Lee	
6,406,313	B1	6/2002	Victor	
D508,466	S	8/2005	Dobler	
D546,285	S	7/2007	Ledbetter et al.	
D592,596	S	5/2009	Kolton	
D604,252	S	11/2009	Yudate	
D645,022	S	9/2011	Lee et al.	
D675,161	S *	1/2013	Rayner	D13/133
D685,327	S *	7/2013	Rayner	D13/133
D702,637	S *	4/2014	Rayner	D13/133

\* cited by examiner

*Primary Examiner* — Daniel Bui

(74) *Attorney, Agent, or Firm* — Lathrop & Gage LLP

(57) **CLAIM**

The ornamental design for an electronic connector and aperture plug, as shown and described.

**DESCRIPTION**

FIG. 1 is a front perspective view of a first embodiment of an electronic connector and aperture plug showing my new design;

FIG. 2 is a side elevation view thereof;

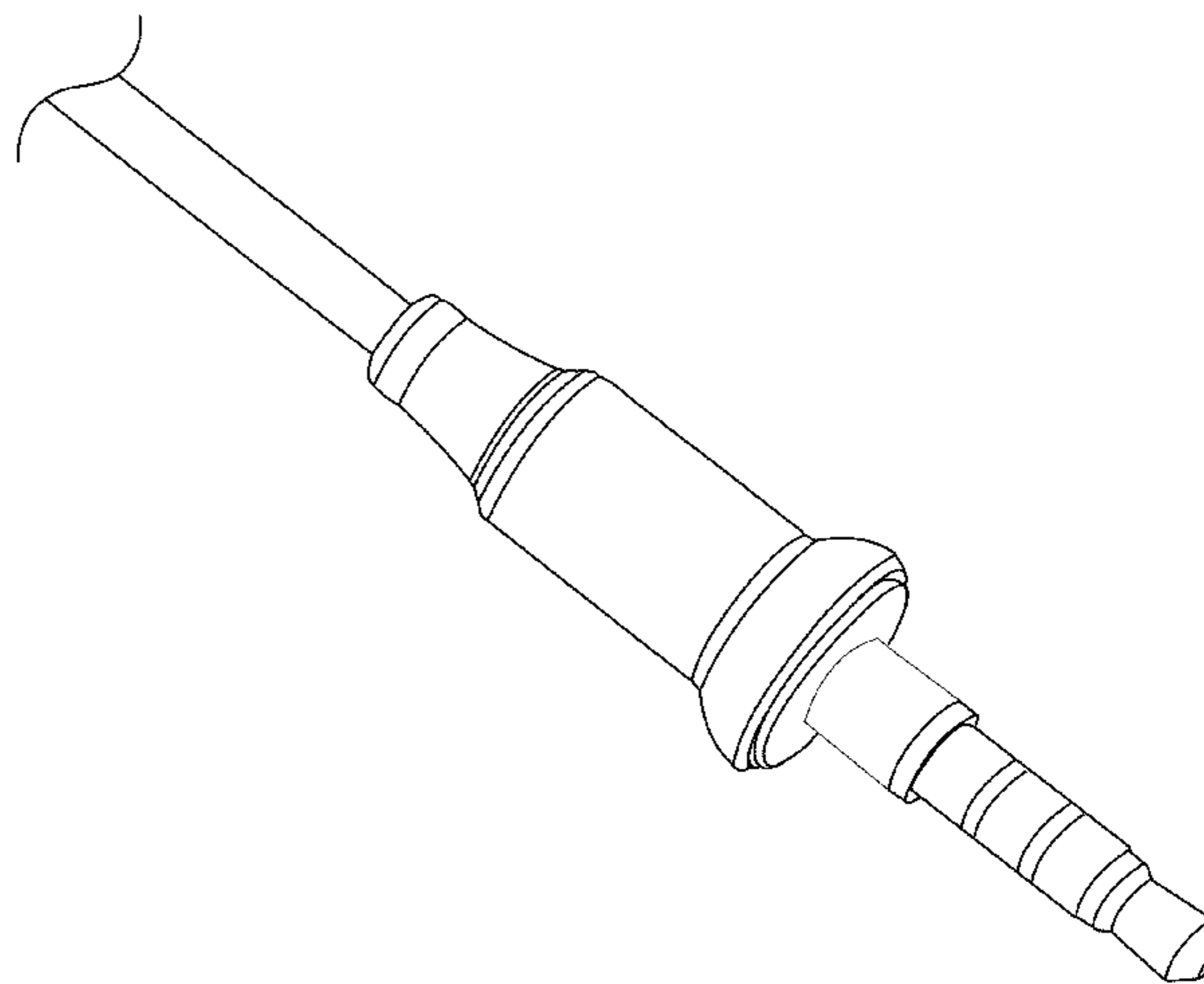
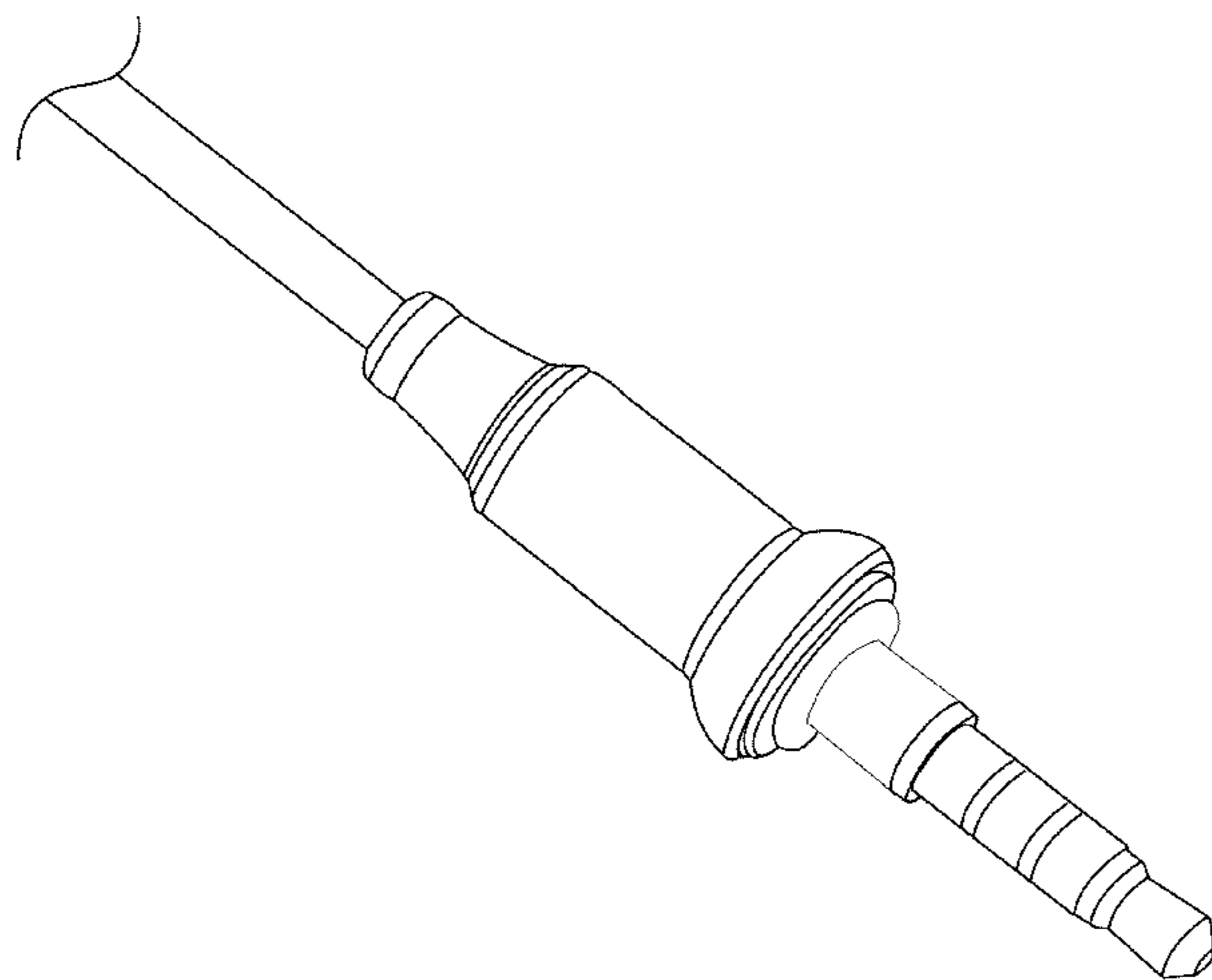
FIG. 3 is a rear perspective view thereof;

FIG. 4 is a front perspective view of a second embodiment of an electronic connector and aperture plug showing my new design;

FIG. 5 is a side elevation view thereof; and,

FIG. 6 is a rear perspective view thereof.

**1 Claim, 6 Drawing Sheets**



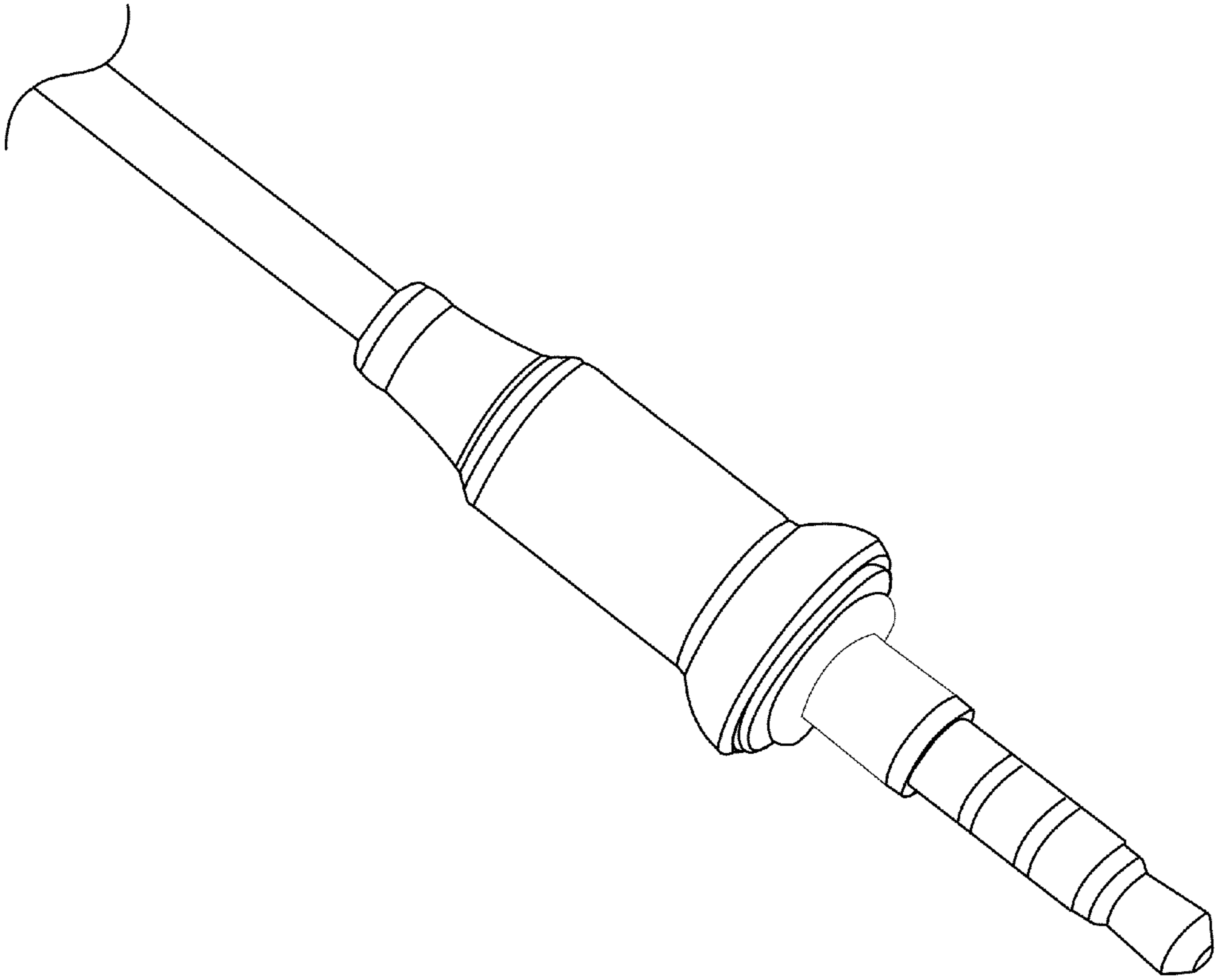


Fig. 1

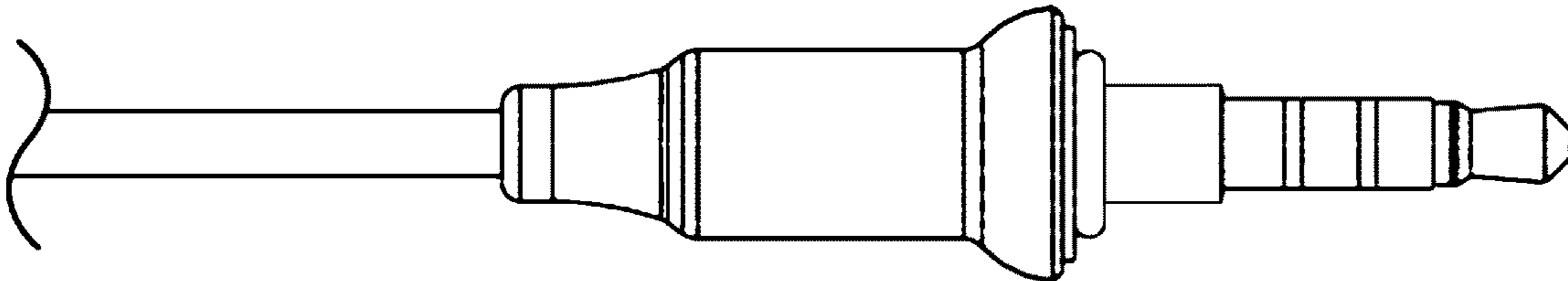


Fig. 2

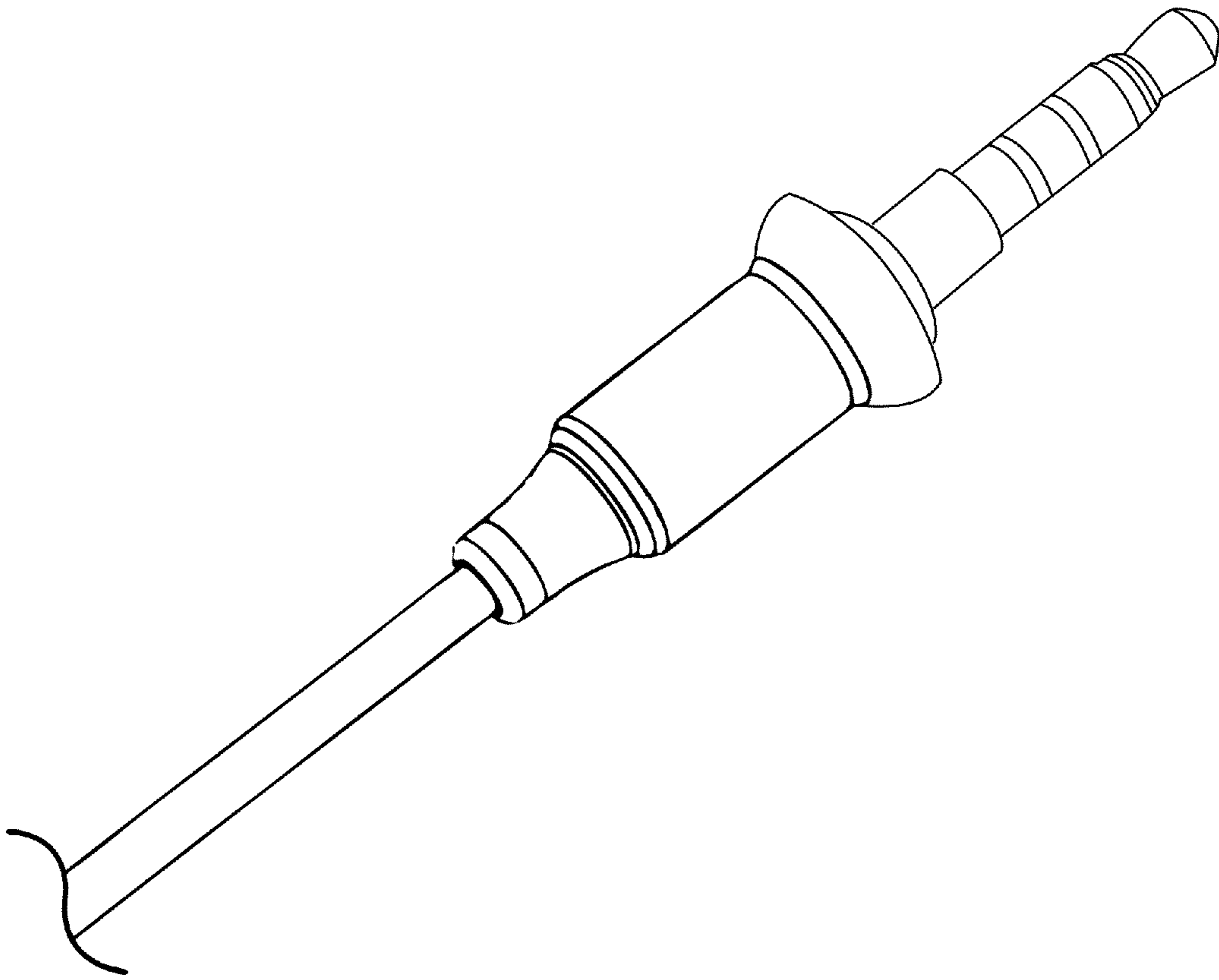


Fig. 3

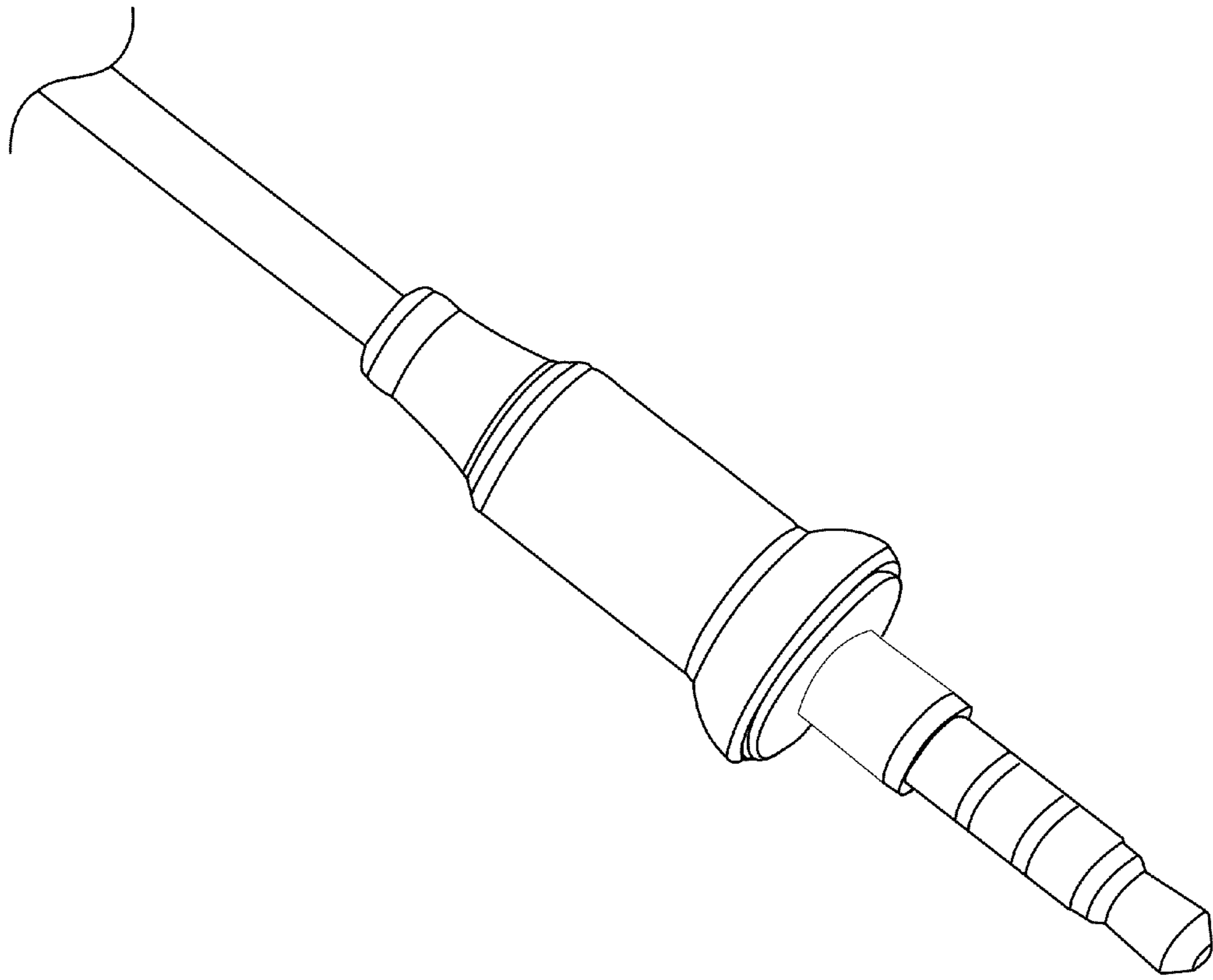


Fig. 4

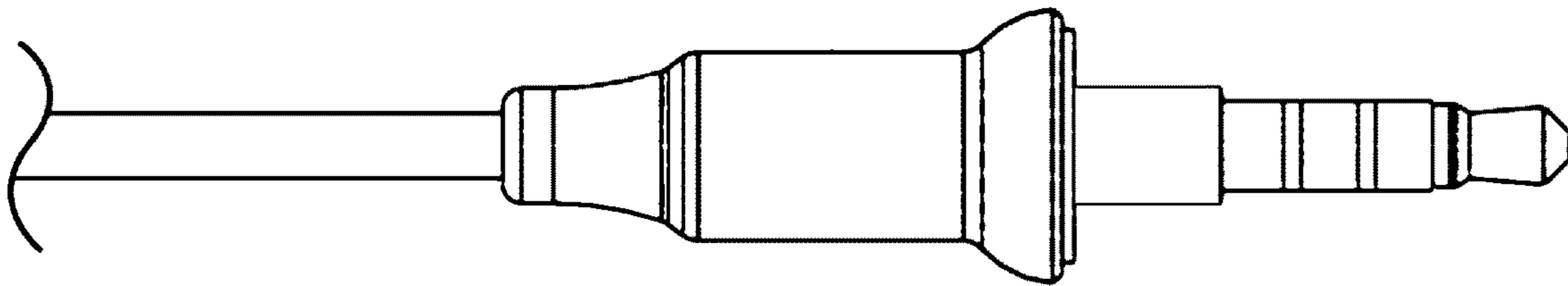


Fig. 5

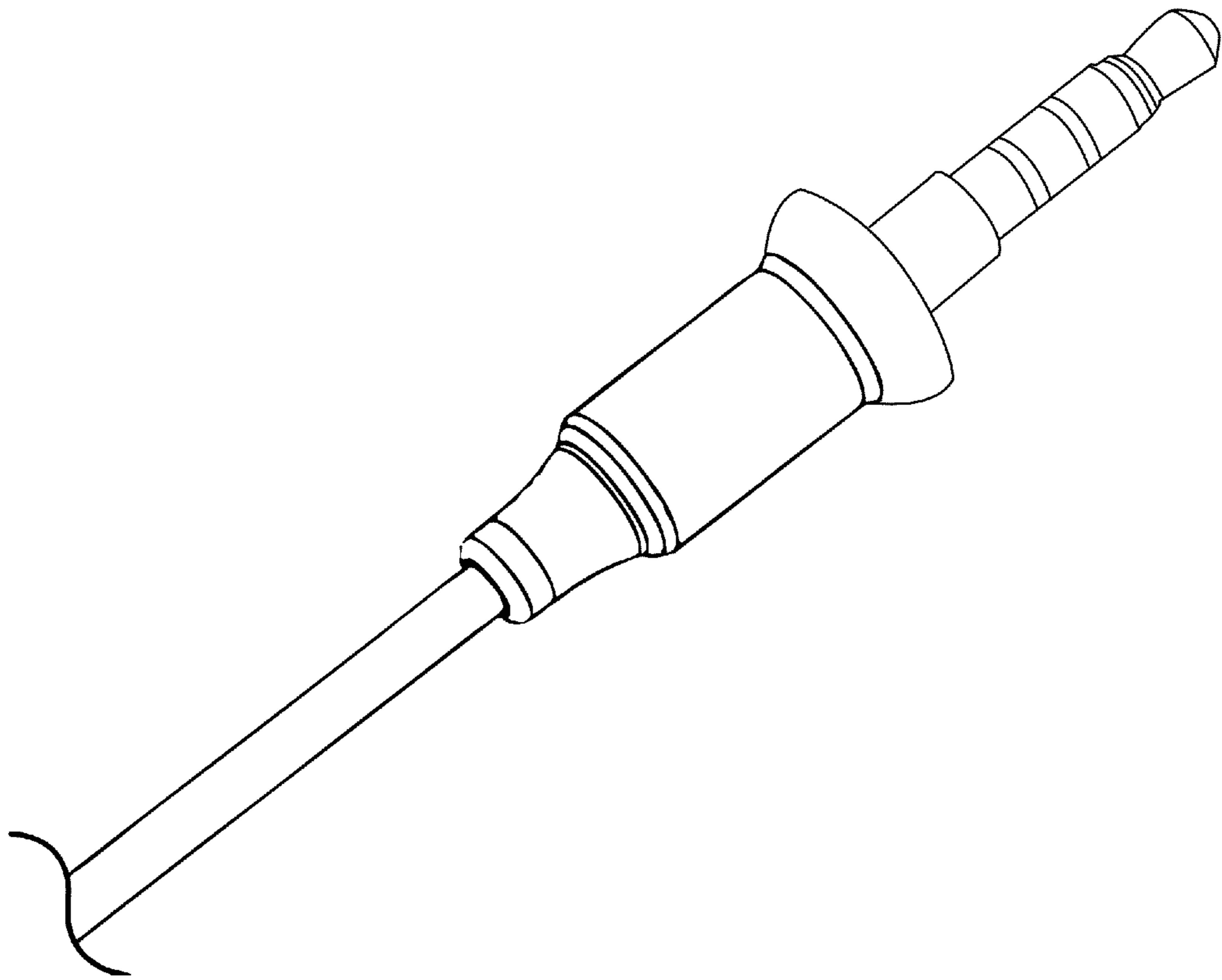


Fig. 6