



US00D736156S

(12) **United States Design Patent**  
**Windenberger et al.**

(10) **Patent No.:** **US D736,156 S**

(45) **Date of Patent:** **\*\* Aug. 11, 2015**

(54) **HOUSING FOR AN ELECTRICAL CONNECTOR**

(75) Inventors: **Michel Windenberger**, Lutterbach (FR);  
**Aurelien Hell**, Hirtzbach (FR)

(73) Assignee: **Multi-Holding AG**, Allschwil (CH)

(\*\*) Term: **14 Years**

(21) Appl. No.: **29/423,833**

(22) Filed: **Jun. 5, 2012**

(30) **Foreign Application Priority Data**

Dec. 5, 2011 (WO) ..... DM/077 246

(51) **LOC (10) CL.** ..... **13-03**

(52) **U.S. CL.**  
USPC ..... **D13/133**

(58) **Field of Classification Search**  
USPC ..... D13/118–120, 133, 151, 146, 147, 184;  
439/620, 609, 96, 314–322, 688, 752  
CPC ..... H01R 13/46  
See application file for complete search history.

(56) **References Cited**

**U.S. PATENT DOCUMENTS**

D624,498 S *	9/2010	Chan	.....	D13/144
D624,499 S *	9/2010	Chan	.....	D13/144
D624,500 S *	9/2010	Chan	.....	D13/144
D624,501 S *	9/2010	Chan	.....	D13/144
D667,377 S *	9/2012	Chan	.....	D13/144
D670,248 S *	11/2012	Chen	.....	D13/138.2
D677,631 S *	3/2013	McSweyn	.....	D13/144
D678,206 S *	3/2013	McSweyn	.....	D13/144
D678,208 S *	3/2013	McSweyn	.....	D13/144
D685,736 S *	7/2013	Inskeep	.....	D13/110
D690,271 S *	9/2013	Riddle et al.	.....	D13/147

D692,382 S *	10/2013	Liu	.....	D13/133
D692,394 S *	10/2013	Takahashi et al.	.....	D13/158
D692,395 S *	10/2013	Takahashi et al.	.....	D13/158
D692,829 S *	11/2013	Dobler	.....	D13/133

**FOREIGN PATENT DOCUMENTS**

WO DM077246 \* 12/2011

**OTHER PUBLICATIONS**

Advanced Contact Technology—Multi Contact, no image post date information, site visited Nov. 14, 2013, [online], © 2013 Multi-Contact AG—All Rights Reserved, <<http://www.multi-contact.com/>>.\*

\* cited by examiner

*Primary Examiner* — Ian Simmons

*Assistant Examiner* — Harold Blackwell, II

(74) *Attorney, Agent, or Firm* — Sughrue Mion, PLLC

(57) **CLAIM**

The ornamental design for a housing for an electrical connector, as shown and described.

**DESCRIPTION**

FIG. 1 is a rear elevational view of a housing for an electrical connector showing my new design; FIG. 2 is a right side view thereof; FIG. 3 is a front elevational view thereof; FIG. 4 is a left side view thereof; FIG. 5 is a bottom plan view thereof; FIG. 6 is a top plan view thereof; FIG. 7 is a top, front and side perspective view; and, FIG. 8 is a top, side, and rear perspective view. The broken lines in FIGS. 1, 5 and 8 are included for the purpose of illustrating portions of the “housing for an electrical connector” that forms no part of the claimed design.

**1 Claim, 8 Drawing Sheets**

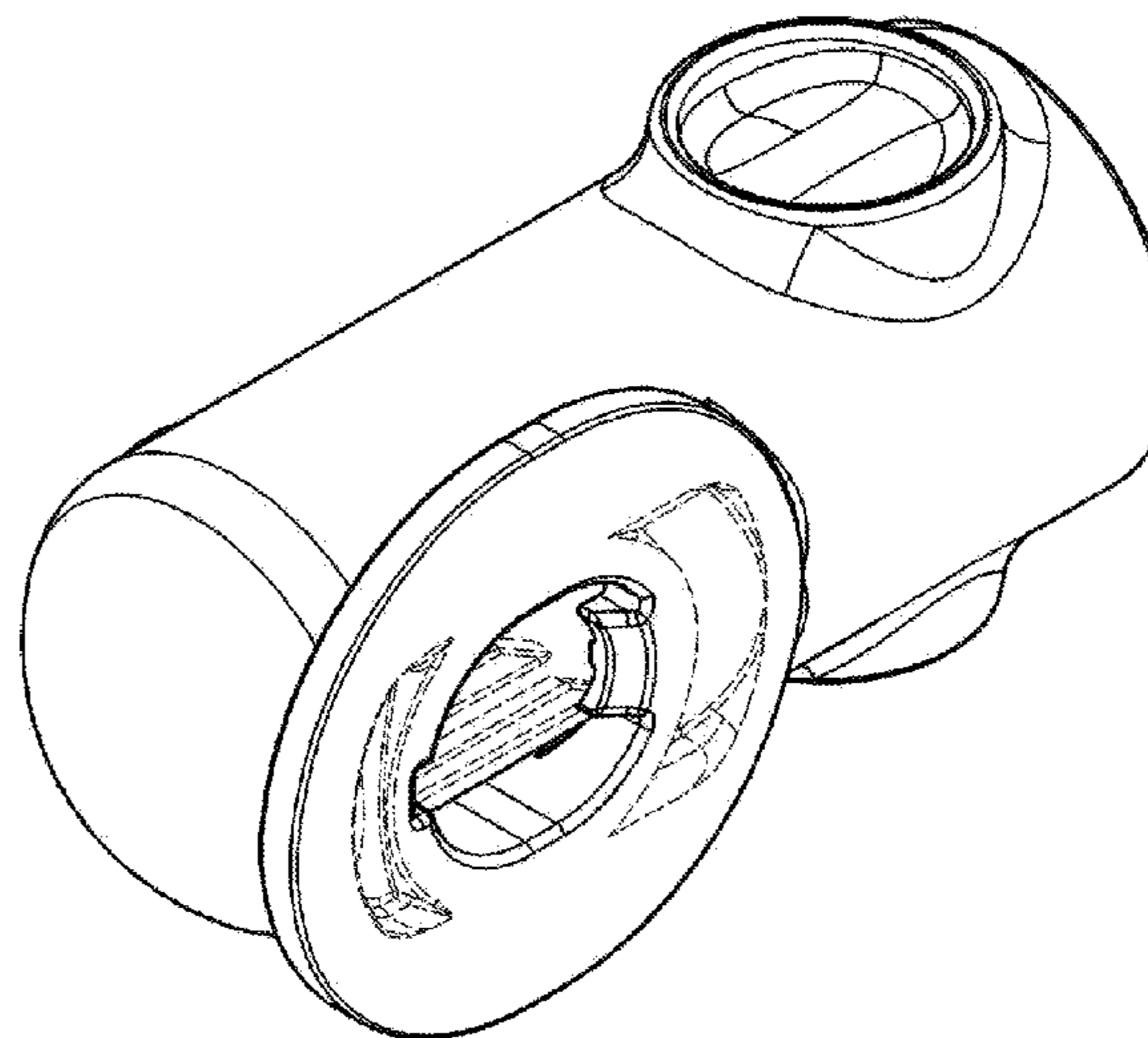
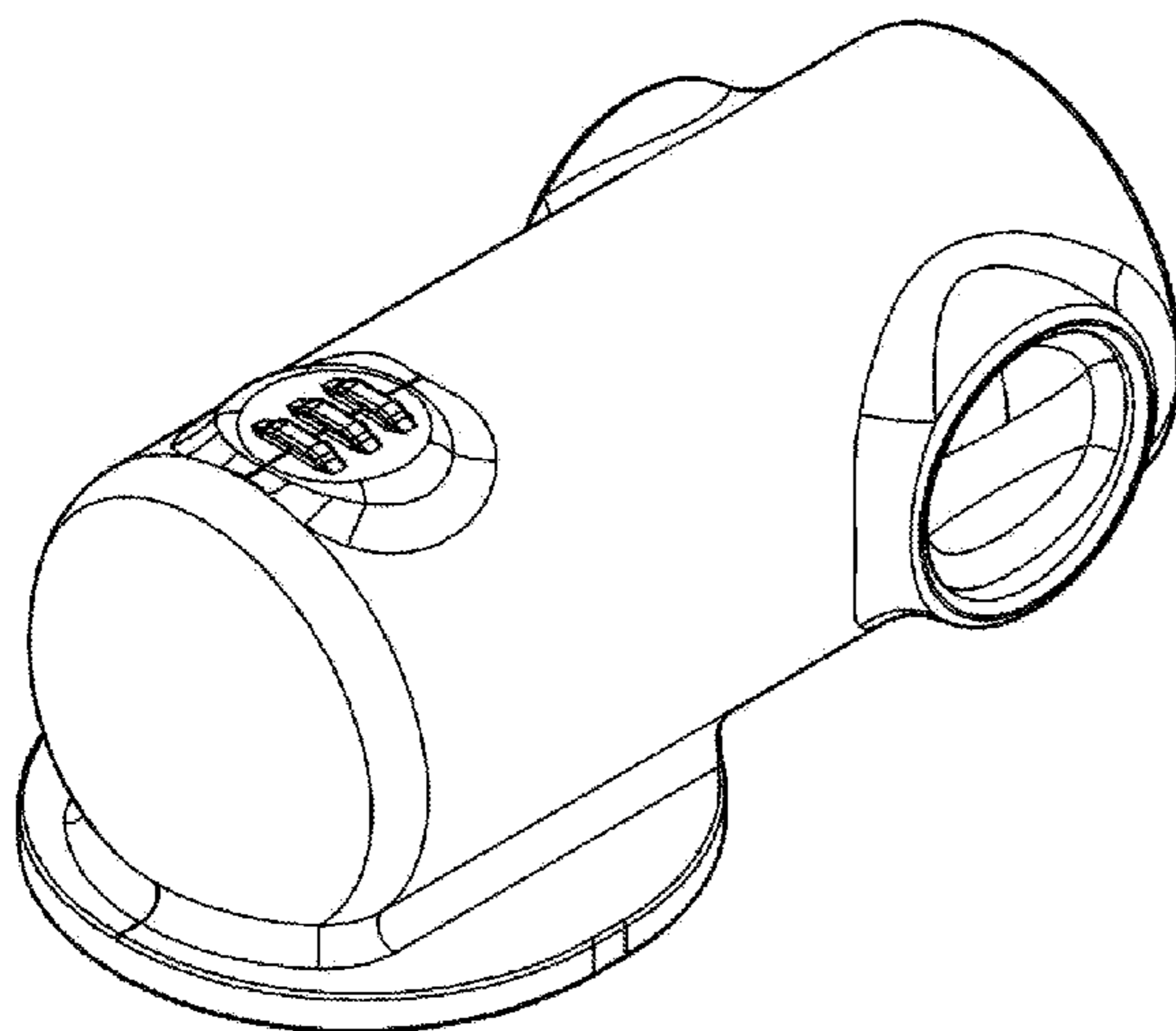


Fig. 1

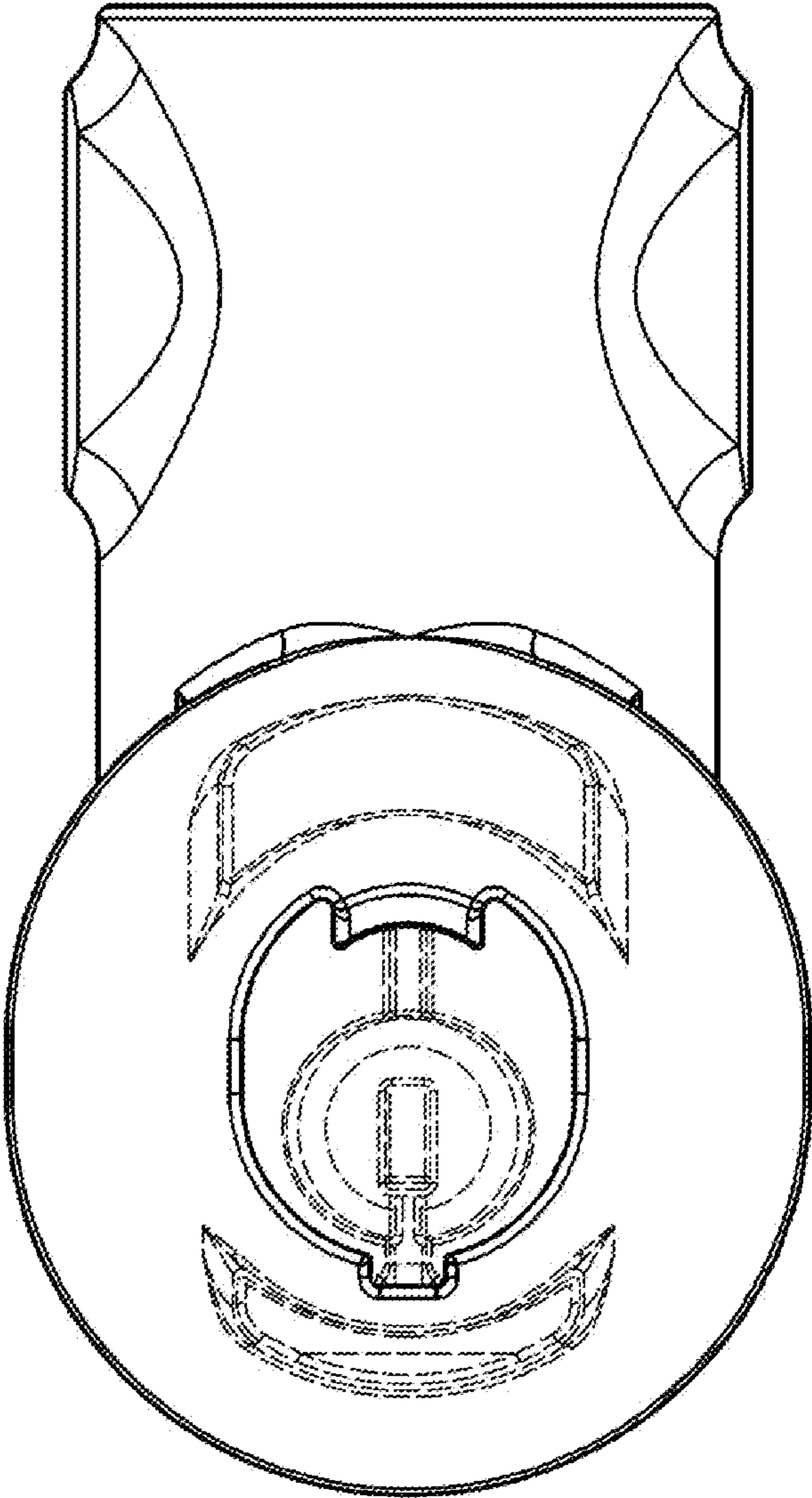


Fig. 2

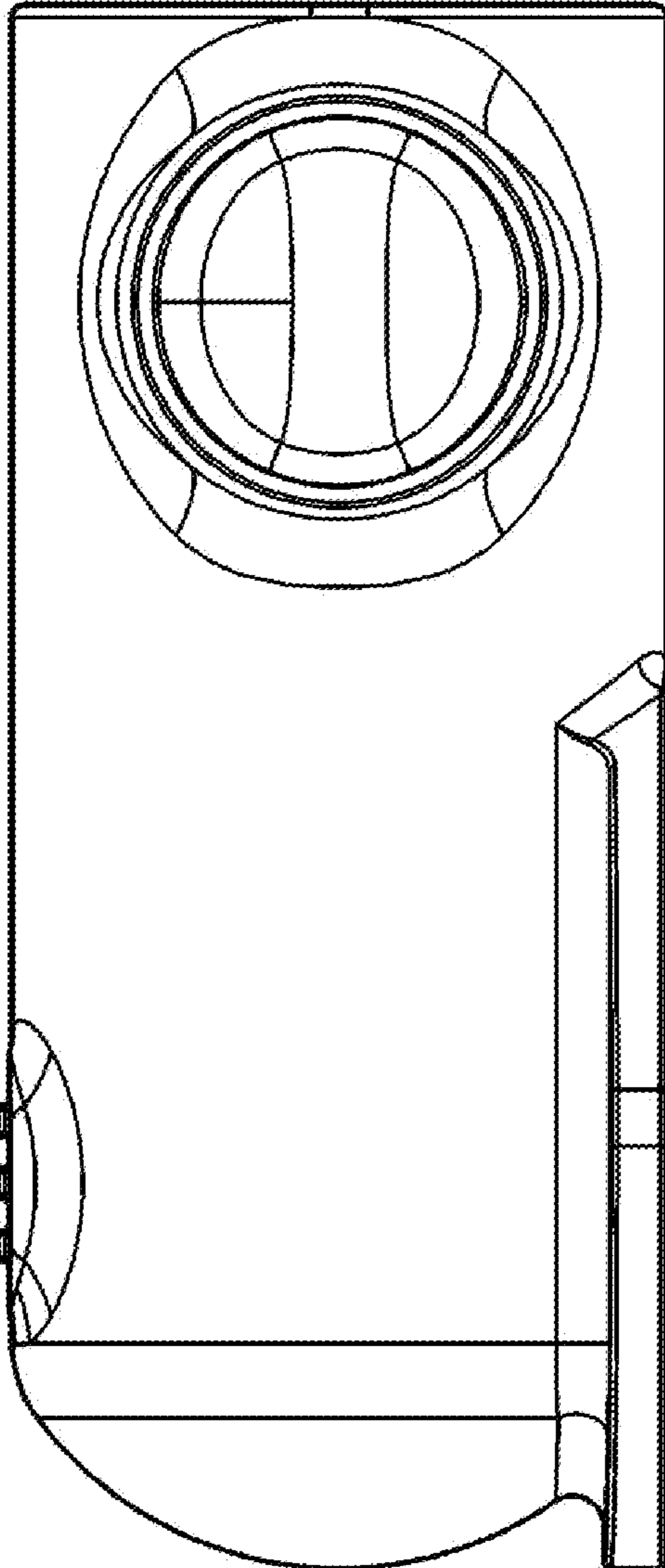


Fig. 3

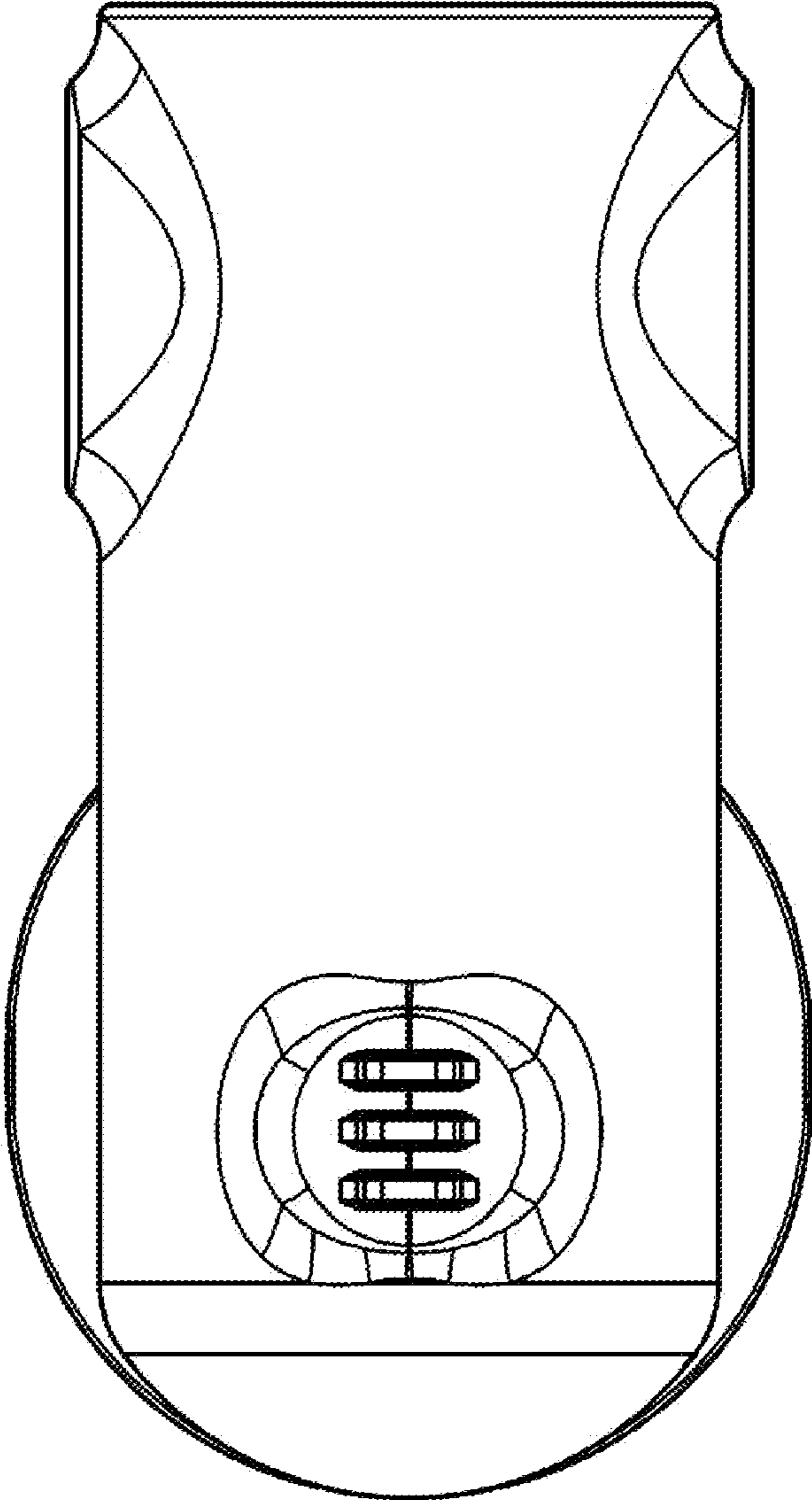


Fig. 4

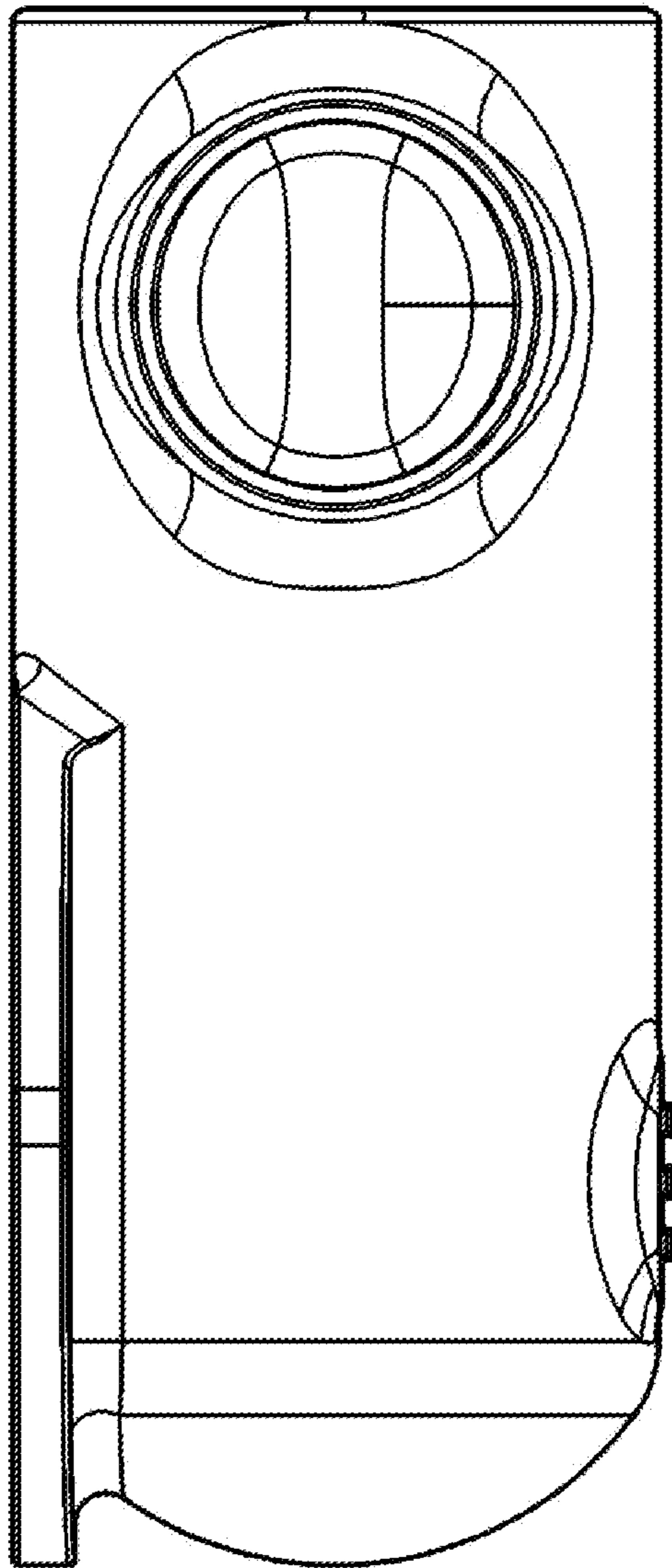


Fig. 5

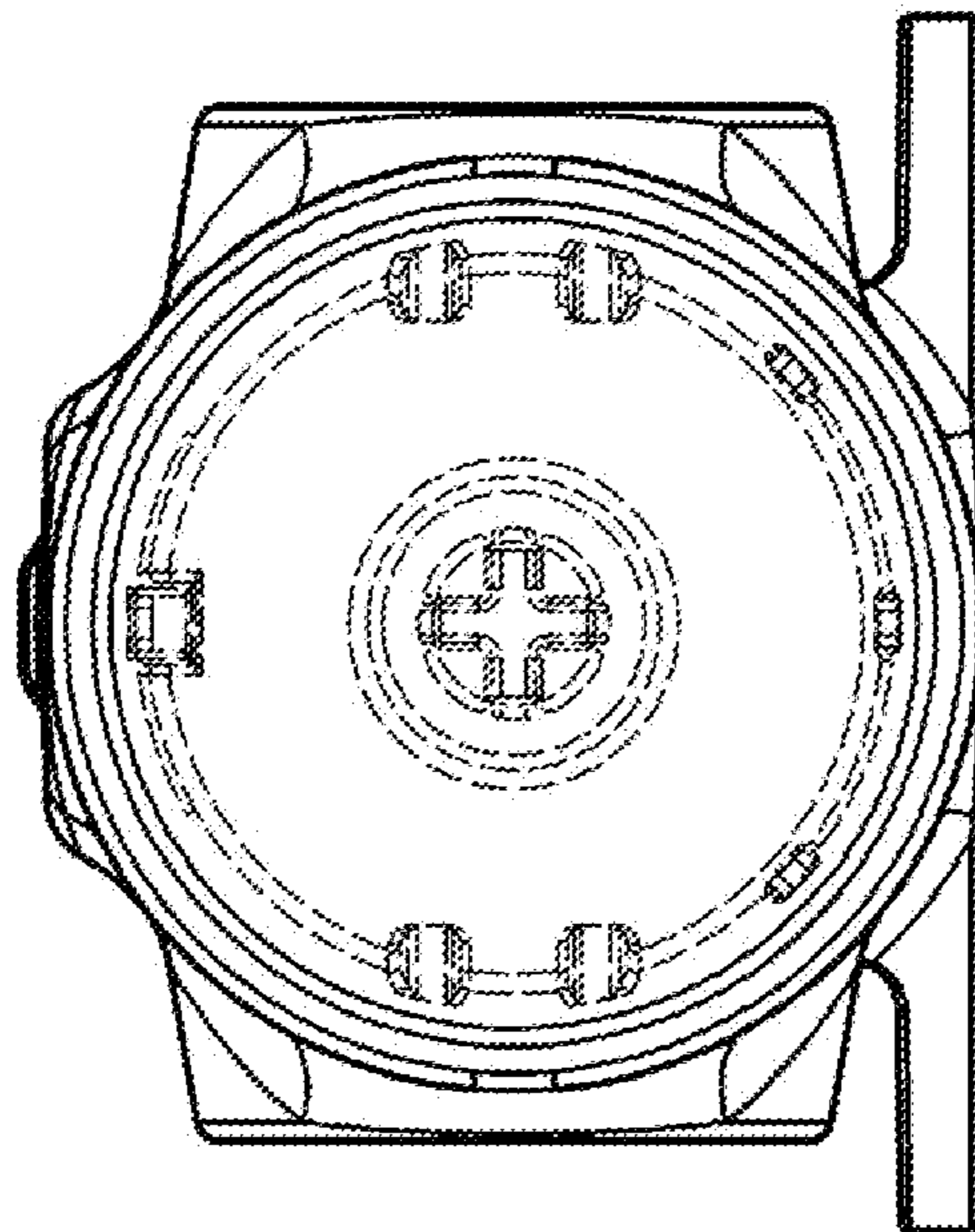


Fig. 6

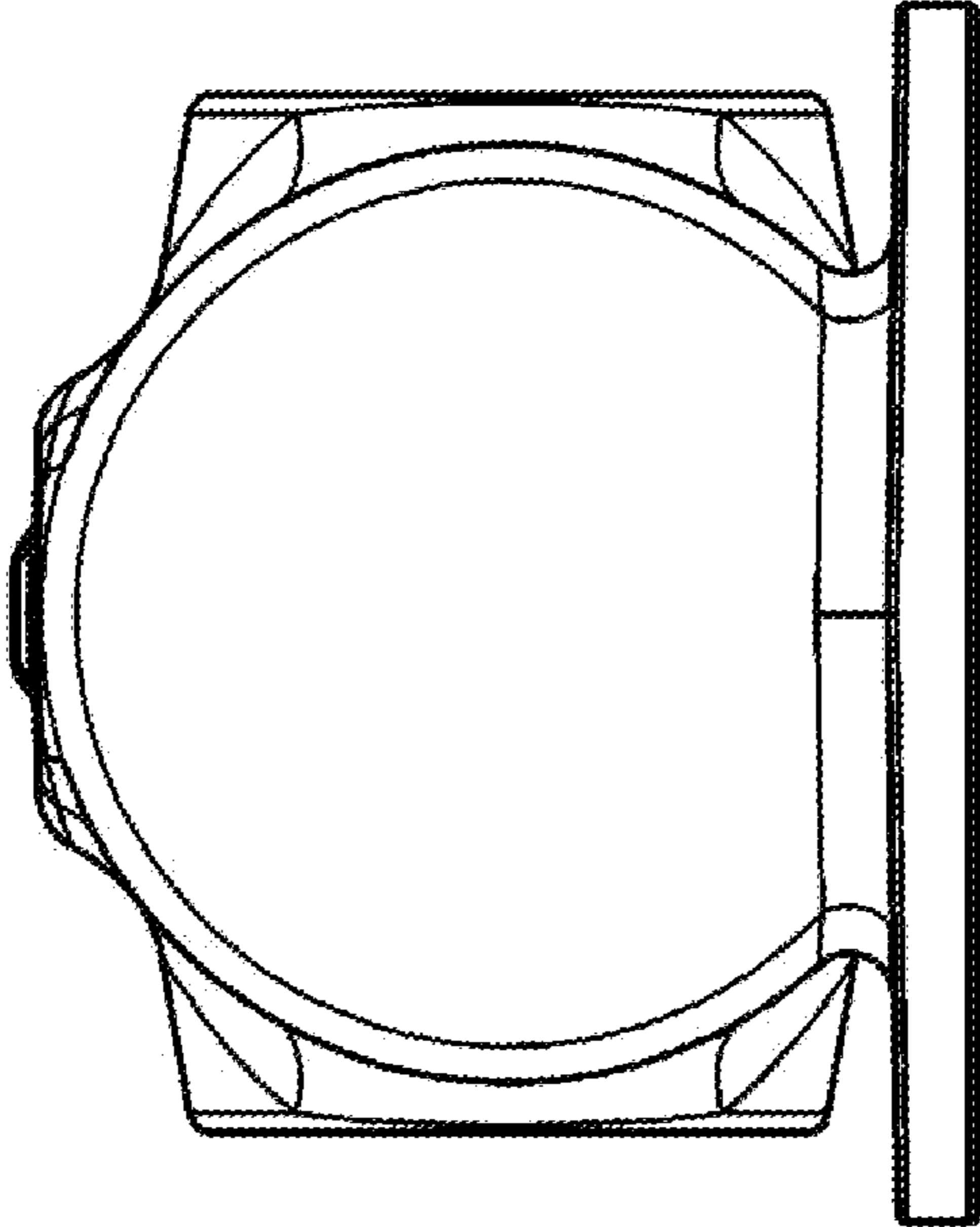


Fig. 7

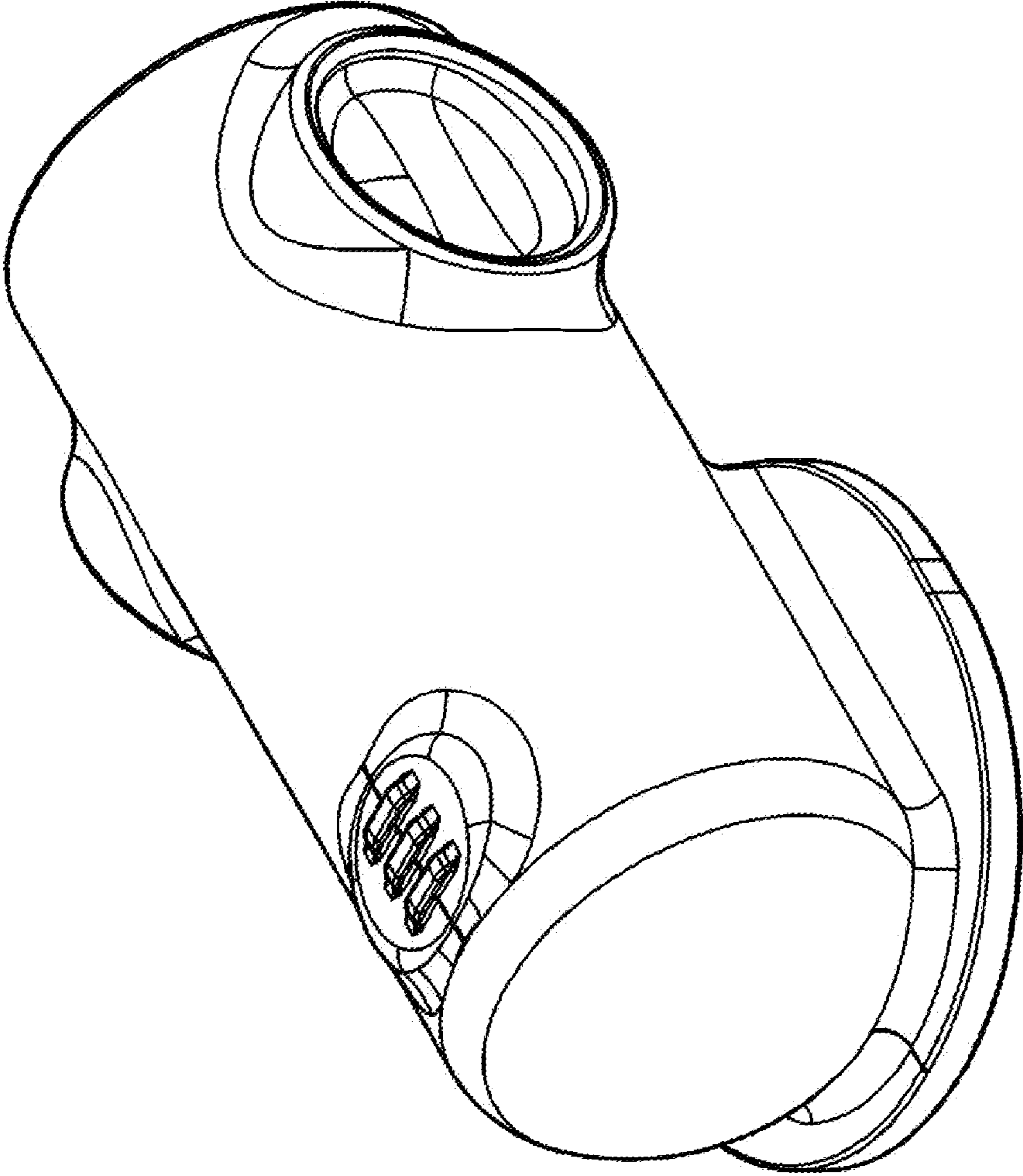




Fig. 8

