



US00D736154S

(12) **United States Design Patent**
Levy et al.

(10) **Patent No.:** **US D736,154 S**

(45) **Date of Patent:** **** Aug. 11, 2015**

(54) **WALL CHARGER**

(71) Applicant: **NAVAJO MANUFACTURING COMPANY, INC.**, Denver, CO (US)

(72) Inventors: **Gordon Levy**, Golden, CO (US); **David Lee Martin**, Highlands Ranch, CO (US); **Shawn A. Shelton**, Highlands Ranch, CO (US)

(73) Assignee: **Navajo Manufacturing Company, Inc.**, Denver, CO (US)

(**) Term: **14 Years**

(21) Appl. No.: **29/486,393**

(22) Filed: **Mar. 28, 2014**

(51) **LOC (10) Cl.** **13-02**

(52) **U.S. Cl.**
USPC **D13/108**

(58) **Field of Classification Search**
USPC D13/107-110, 118-119, 184, 199;
D14/251, 253, 432, 434

CPC H02J 7/025; H02J 7/0042; H02J 7/0044;
H02J 7/0045; H02J 7/0054; H02J 7/0003;
B60L 11/182; Y02E 60/12; Y02T 10/7005;
Y02T 10/7088; Y02T 90/14; Y02T 90/163;
Y02T 90/122; Y02T 90/128; H01M 2/1022;
H01M 2/1055; H01M 10/46; H01M 10/44;
H01M 10/425; H01F 38/14; H01R 13/6675

See application file for complete search history.

(56) **References Cited**

U.S. PATENT DOCUMENTS

D478,310 S 8/2003 Andre et al.
D616,363 S * 5/2010 Weng D13/107

D617,730 S * 6/2010 Mosiello D13/108
7,766,698 B1 8/2010 De Iuliis et al.
8,222,773 B2 7/2012 De Iuliis et al.
D682,781 S * 5/2013 Wakafuji et al. D13/110
D694,183 S * 11/2013 Matsuoka et al. D13/110
D694,185 S * 11/2013 Matsuoka et al. D13/110
D704,631 S * 5/2014 Levy D13/108
D705,159 S * 5/2014 Levy et al. D13/108
D708,131 S * 7/2014 Miller et al. D13/108
D711,824 S * 8/2014 Matsuoka et al. D13/110
D715,734 S * 10/2014 Levy D13/110
D715,735 S * 10/2014 Levy D13/110
D719,093 S * 12/2014 Levy et al. D13/110
2012/0274155 A1 11/2012 De Iuliis et al.
2014/0152257 A1 * 6/2014 Miller et al. 320/111

* cited by examiner

Primary Examiner — Rosemary K Tarcza

(74) *Attorney, Agent, or Firm* — Studebaker & Brackett PC

(57) **CLAIM**

The ornamental design for a wall charger, as shown and described.

DESCRIPTION

FIG. 1 is a perspective view showing our new design for a wall charger,

FIG. 2 is a front view thereof,

FIG. 3 is a rear view thereof,

FIG. 4 is a top view thereof,

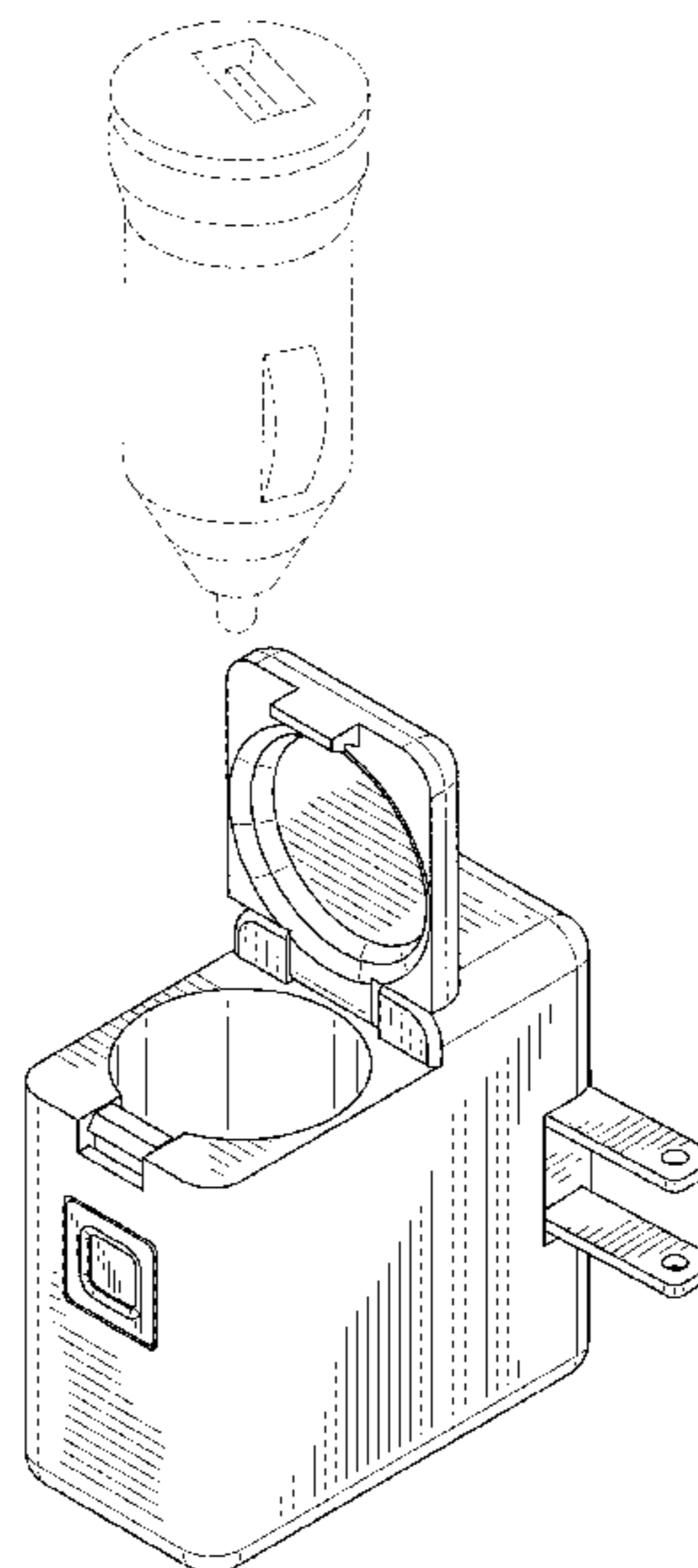
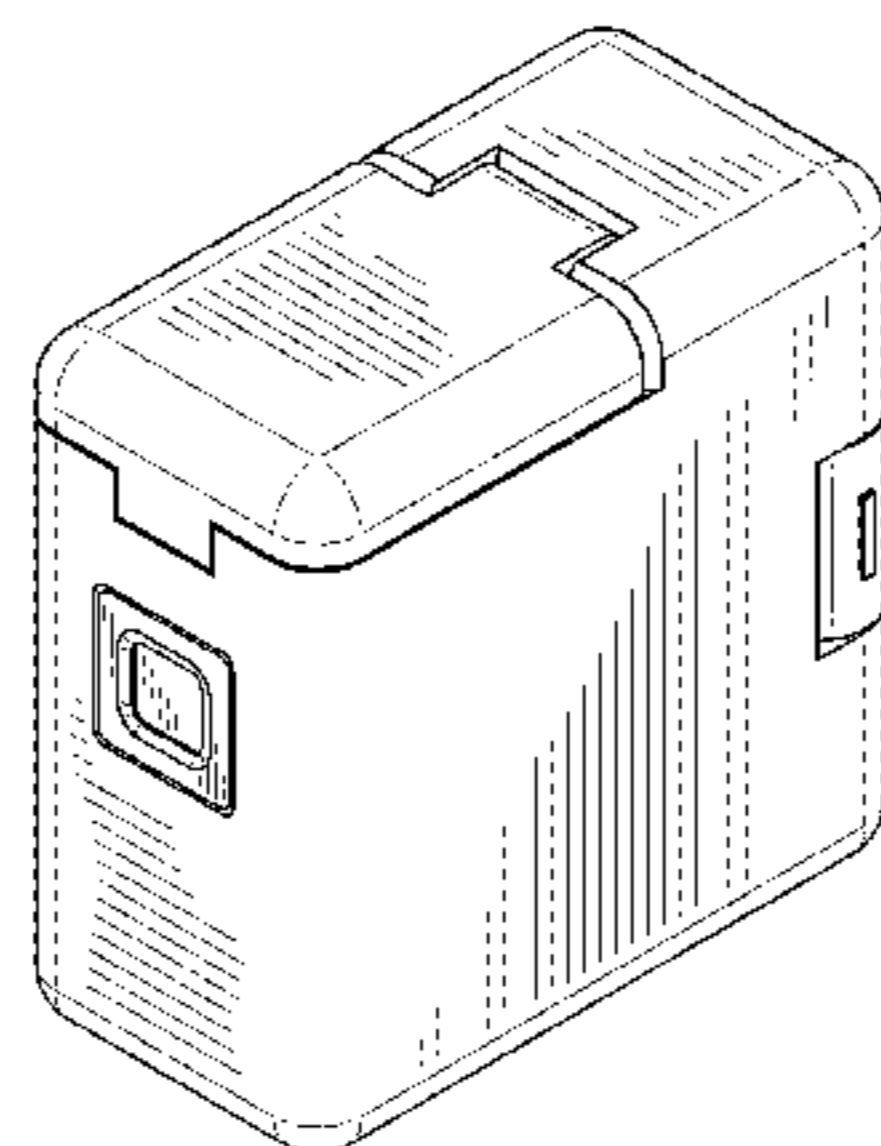
FIG. 5 is a bottom view thereof,

FIG. 6 is a left side view thereof,

FIG. 7 is a right side view thereof; and,

FIG. 8 is an exploded perspective view thereof, shown in an open position, the portion shown in dotted lines being for illustrative purposes only, forming no part of the claimed design.

1 Claim, 5 Drawing Sheets



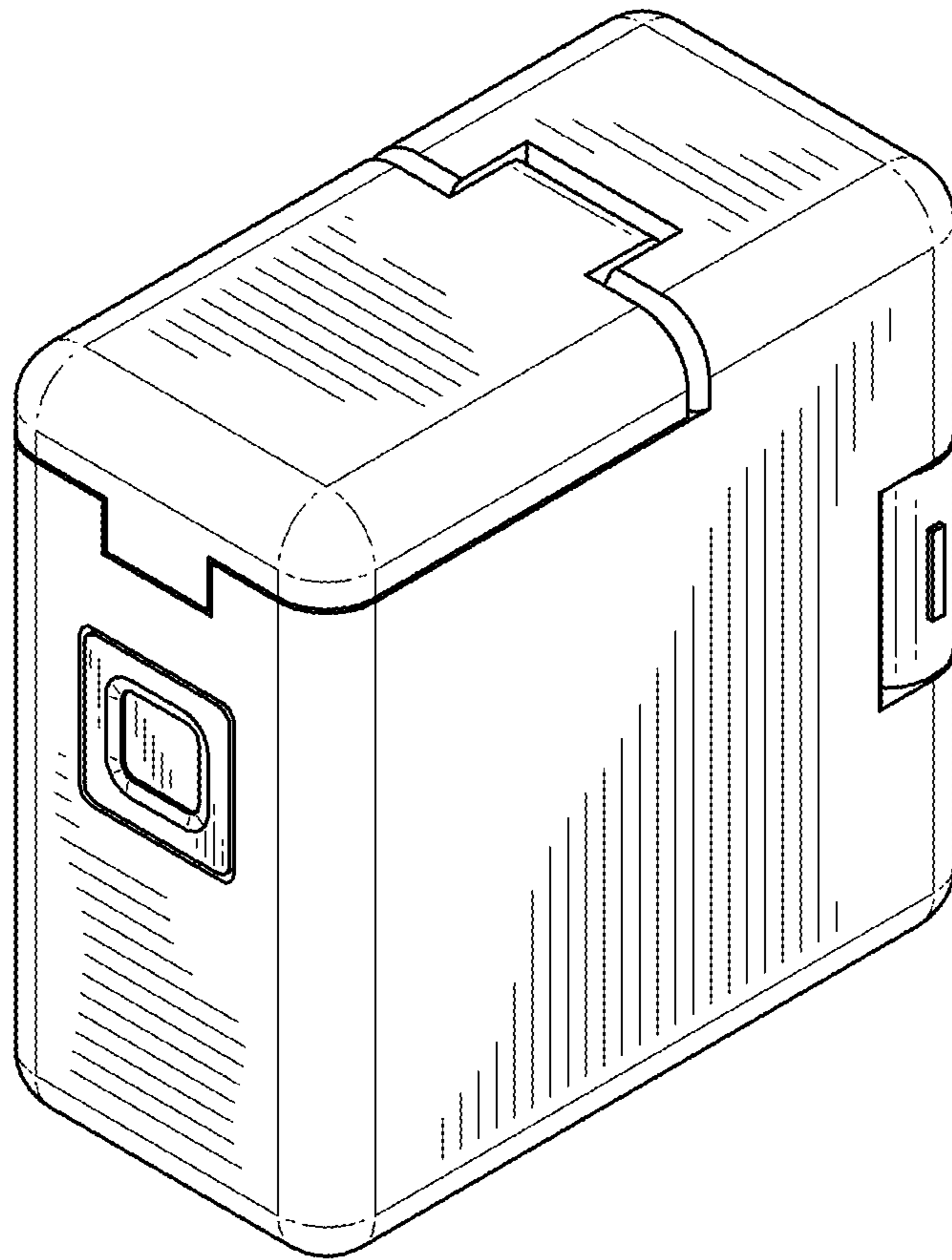


FIG. 1

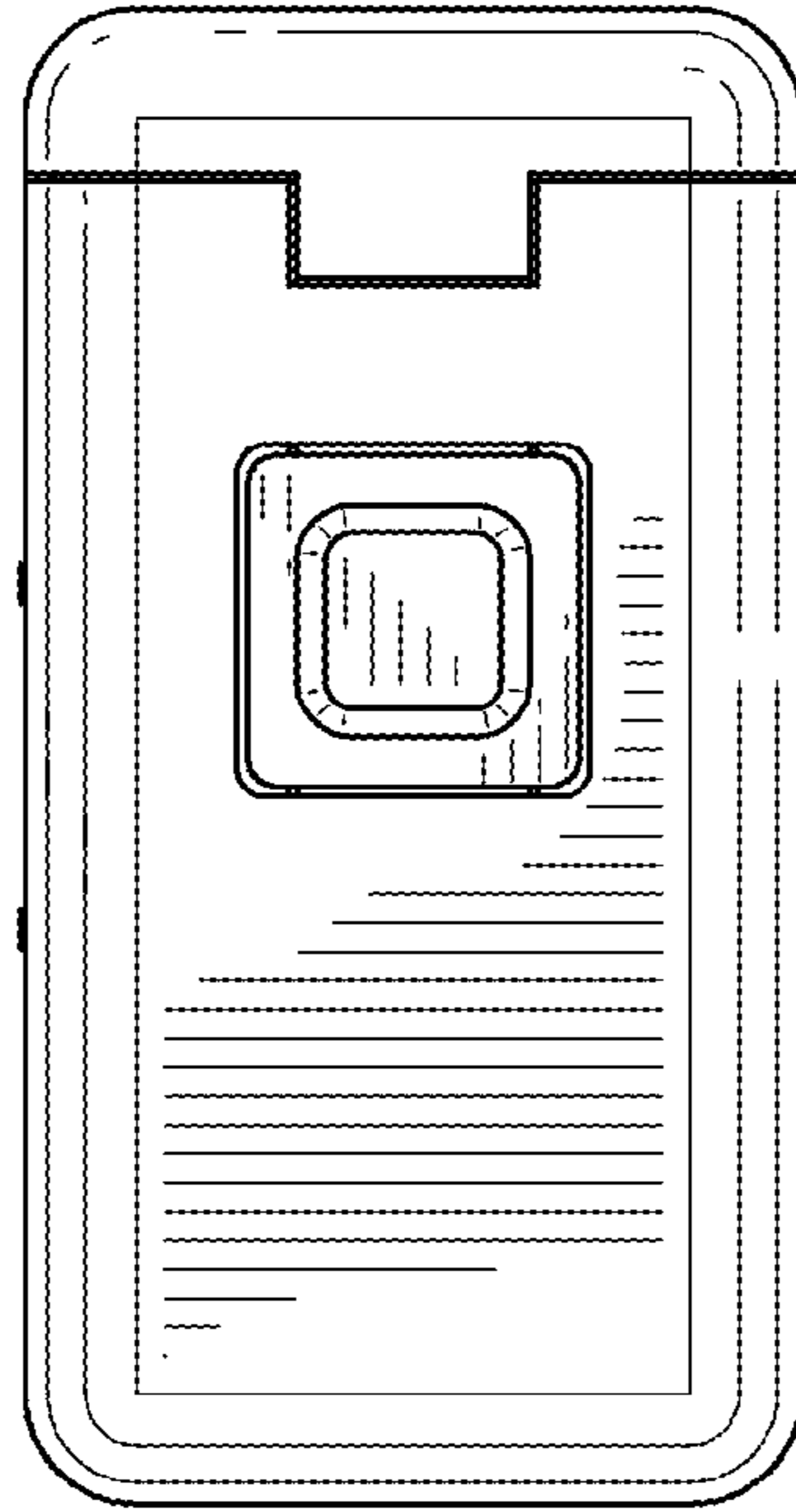


FIG. 2

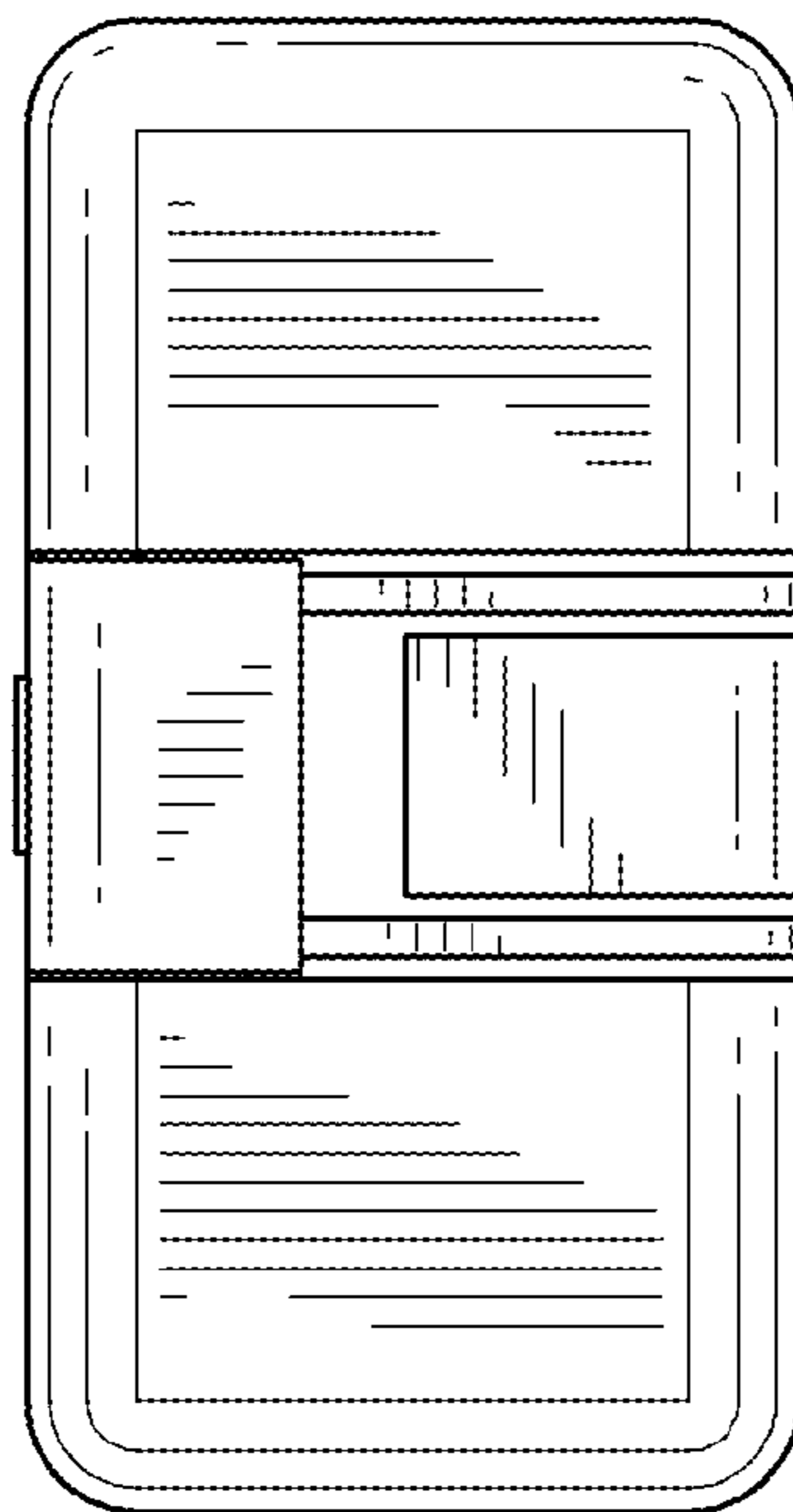


FIG. 3

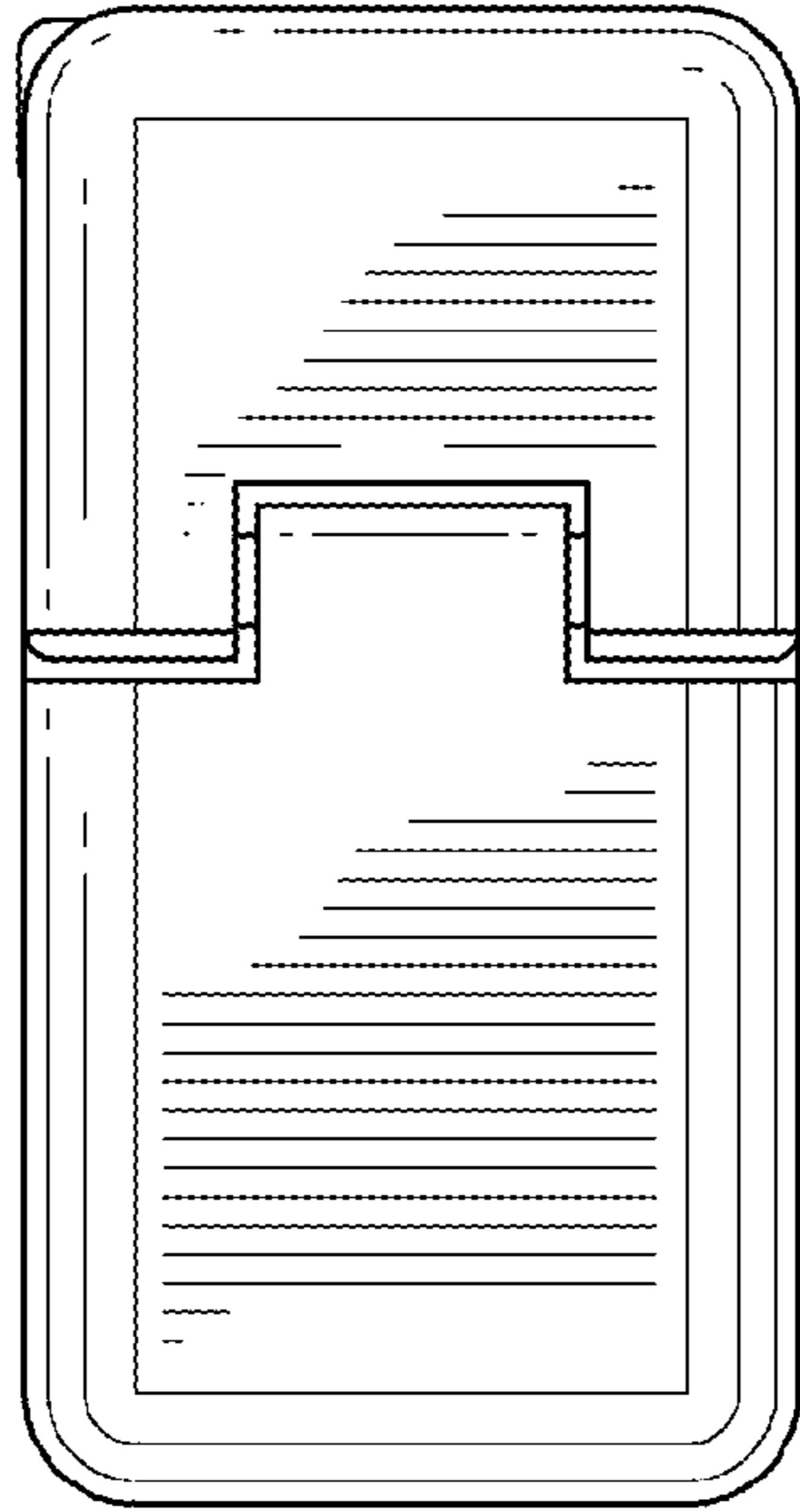


FIG. 4

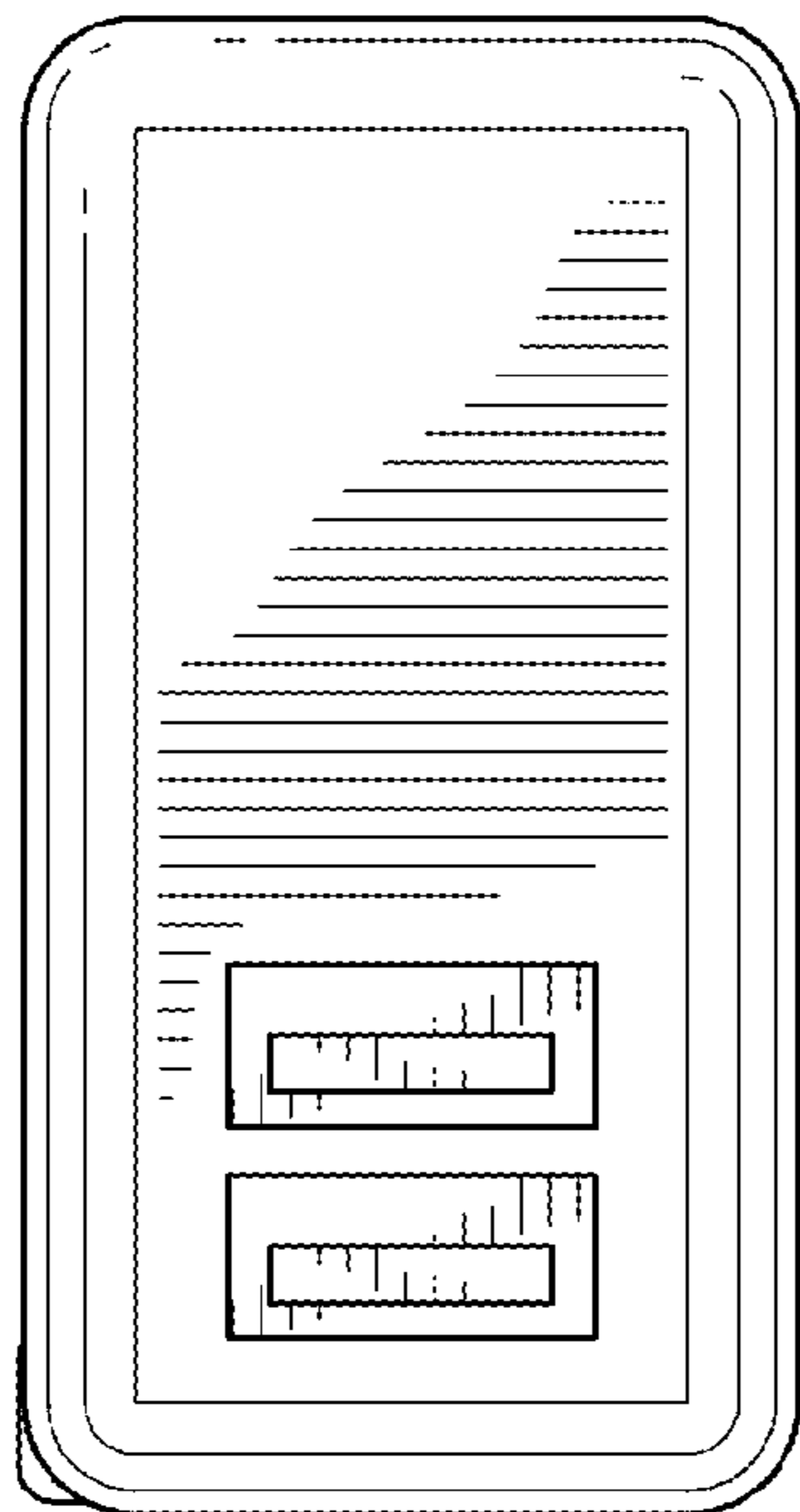


FIG. 5

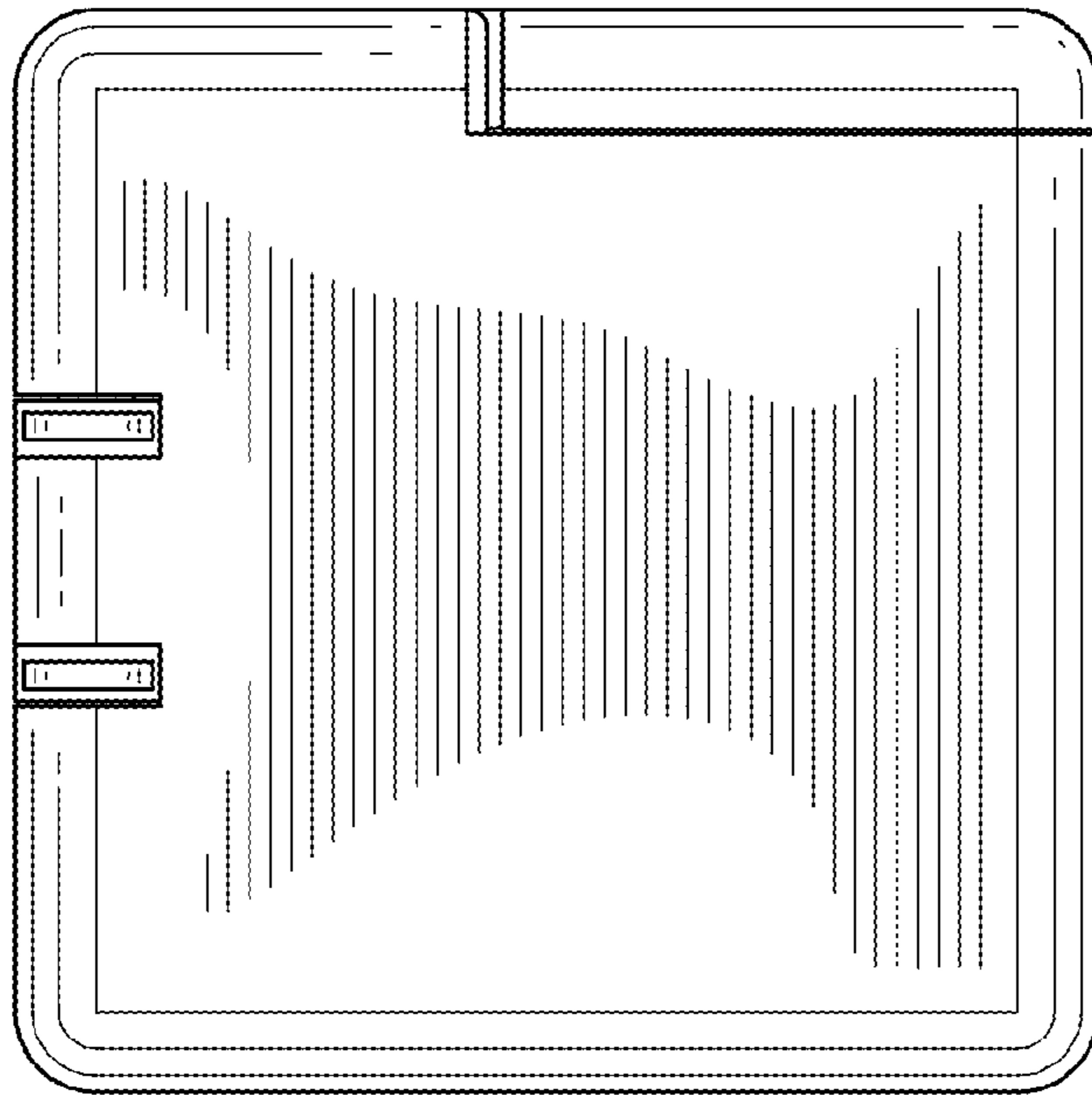


FIG. 6

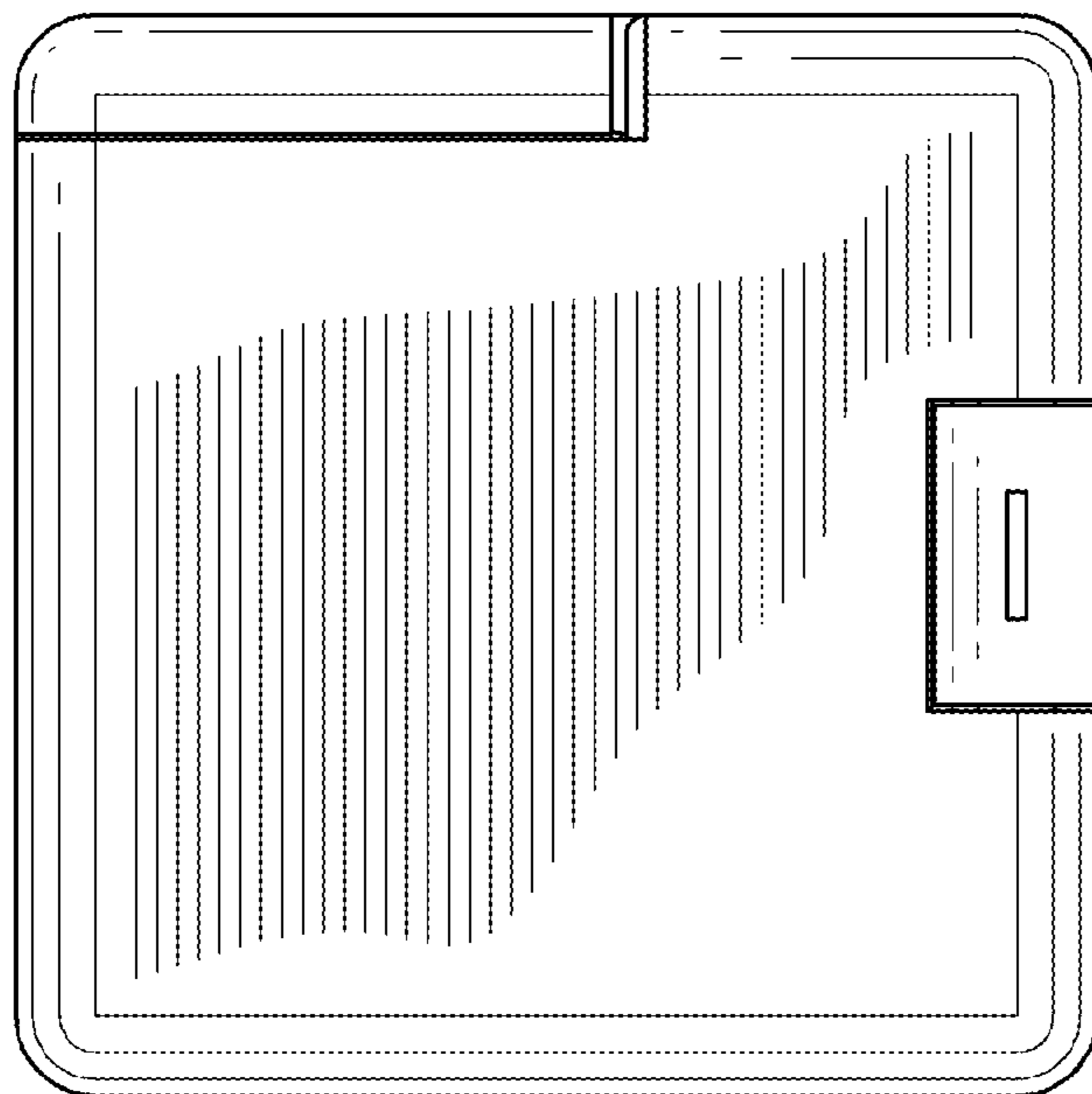


FIG. 7

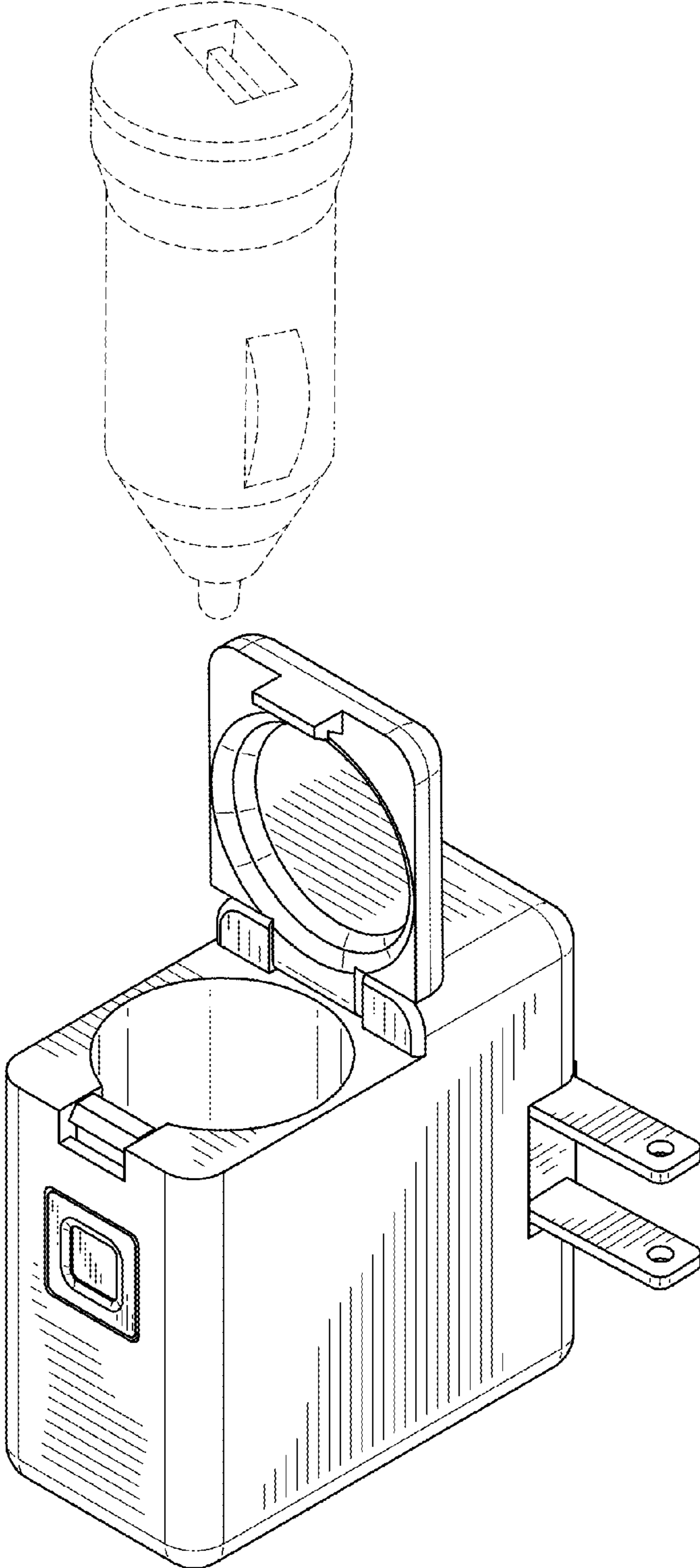


FIG.8