



US00D736151S

(12) **United States Design Patent**  
**Dentzel et al.**

(10) **Patent No.:** **US D736,151 S**

(45) **Date of Patent:** **\*\* Aug. 11, 2015**

(54) **PORTABLE ELECTRONIC DEVICE**  
**CHARGING AND DATA TRANSFER CABLE**

(71) Applicants: **Noah Dentzel**, Santa Barbara, CA (US);  
**Brian Hahn**, Agoura Hills, CA (US)

(72) Inventors: **Noah Dentzel**, Santa Barbara, CA (US);  
**Brian Hahn**, Agoura Hills, CA (US)

(\*\*) Term: **14 Years**

(21) Appl. No.: **29/472,570**

(22) Filed: **Nov. 13, 2013**

(51) **LOC (10) Cl.** ..... **13-02**

(52) **U.S. Cl.**  
USPC ..... **D13/108; D13/153**

(58) **Field of Classification Search**  
USPC ..... D13/107–110, 118–119, 133, 146–147,  
D13/153, 184, 199; D14/251, 253, 432,  
D14/434, 434.1, 480.1–480.7, 484.1;  
320/107–115; 361/679.31, 679.33,  
361/679.4, 752; 711/100, 115  
CPC ..... Y02E 60/12; Y02T 90/14; Y02T 90/122;  
Y02T 90/128; Y02T 90/163; H02J 7/025;  
H02J 7/0042; H02J 7/0044; H02J 7/0045;  
H02J 7/0003; H01F 38/14; H01R 13/6675;  
H01M 2/1022; H01M 2/1055; H01M 10/44;  
H01M 10/46; H01M 10/425; B60L 11/182;  
G06K 19/07732; H05K 5/0278

See application file for complete search history.

(56) **References Cited**

U.S. PATENT DOCUMENTS

D592,601	S	*	5/2009	Kurita	.....	D13/153
D606,077	S	*	12/2009	Hu et al.	.....	D14/480.1
D621,362	S	*	8/2010	Huang et al.	.....	D13/147
D623,192	S	*	9/2010	Peng	.....	D14/480.6
D636,337	S	*	4/2011	Smith et al.	.....	D13/147
D675,573	S	*	2/2013	Farris-Gilbert et al.	.....	D13/147
8,446,728	B1	*	5/2013	McDonald	.....	361/737
8,456,826	B2	*	6/2013	Mao	.....	361/679.31
D685,732	S	*	7/2013	Miller et al.	.....	D13/108
D692,390	S	*	10/2013	Smith et al.	.....	D13/153
D702,186	S	*	4/2014	Muller et al.	.....	D13/133
D716,224	S	*	10/2014	Blumin et al.	.....	D13/108
D725,034	S	*	3/2015	Chen	.....	D13/108

\* cited by examiner

*Primary Examiner* — Rosemary K Tarcza

(74) *Attorney, Agent, or Firm* — QuickPatents; Kevin Prince

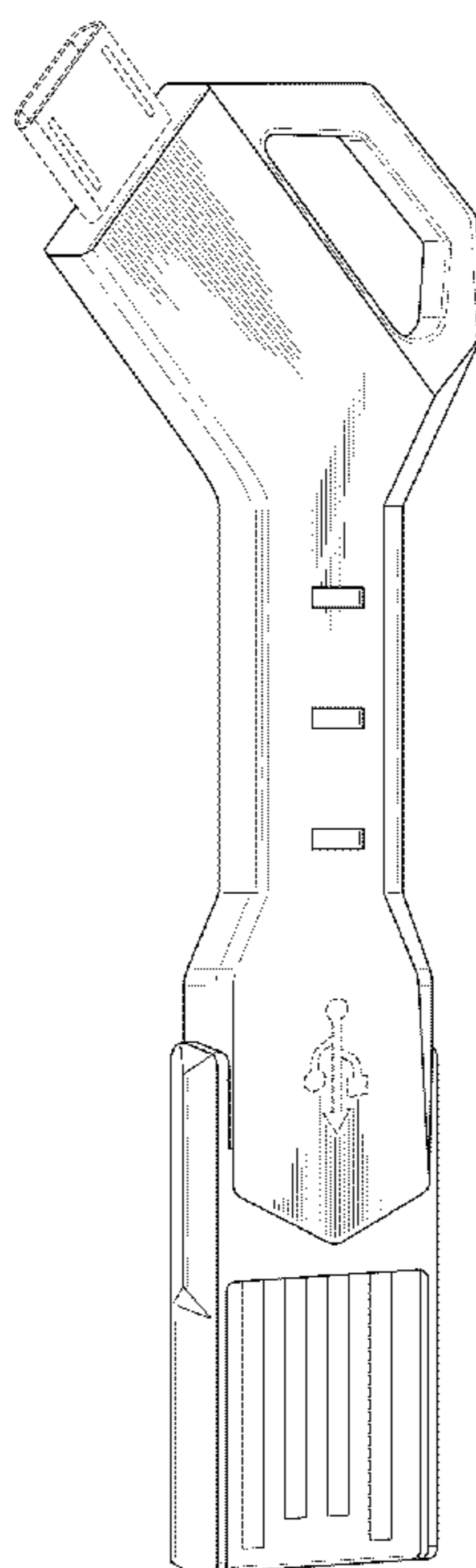
(57) **CLAIM**

We claim the ornamental design for a portable electronic device charging and data transfer cable, as shown and described.

**DESCRIPTION**

FIG. 1 is an enlarged perspective view of a portable electronic device charging adapter, showing my new design;  
FIG. 2 is a right-side elevational view thereof;  
FIG. 3 is a left-side elevational view thereof;  
FIG. 4 is a front elevational view thereof;  
FIG. 5 is a rear elevational view thereof;  
FIG. 6 is a top plan view thereof; and,  
FIG. 7 is a bottom plan view thereof.  
The broken lines showing a micro-USB connector and USB connector features in the figures depict environmental matter and form no part of the claimed design.

**1 Claim, 3 Drawing Sheets**



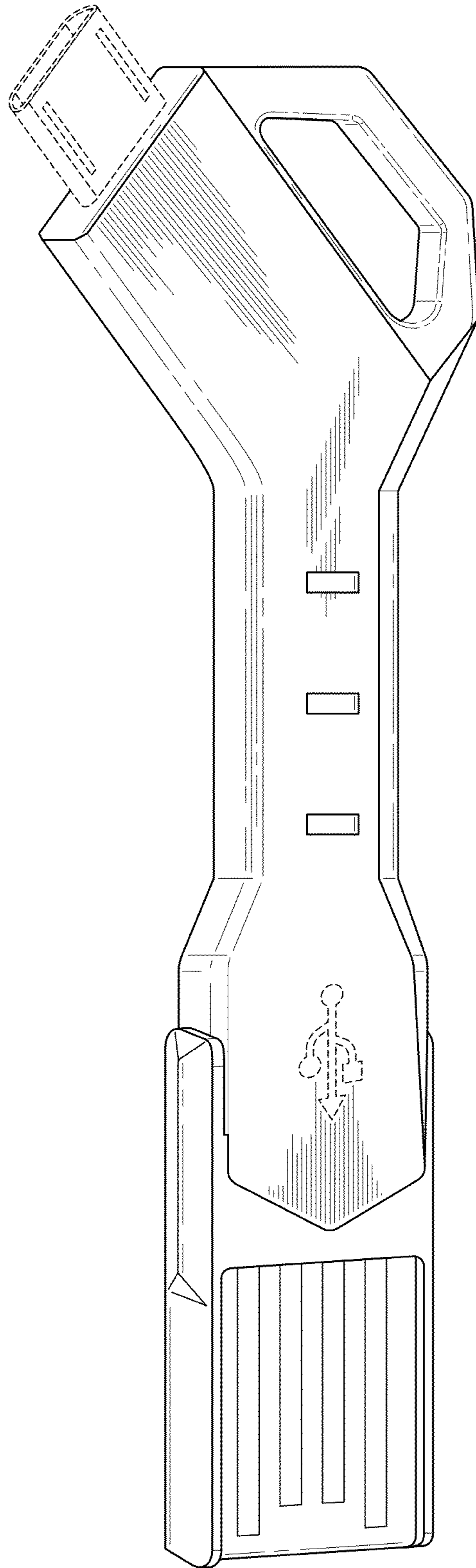


FIG. 1

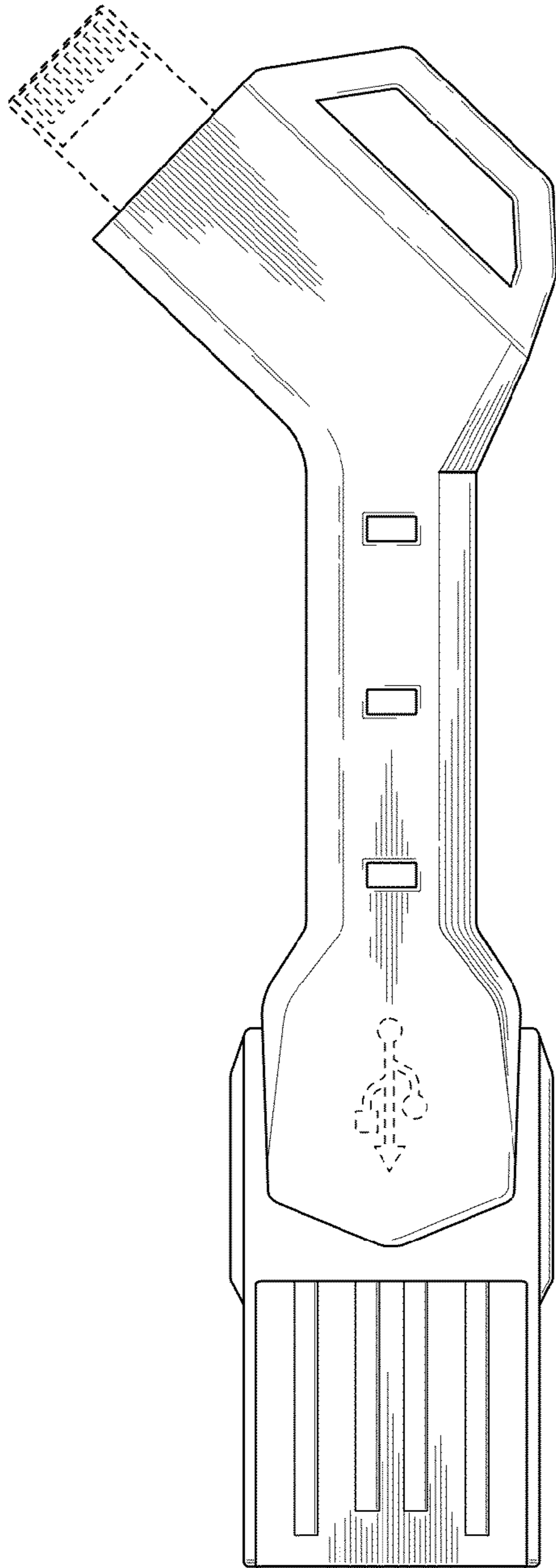


FIG. 2

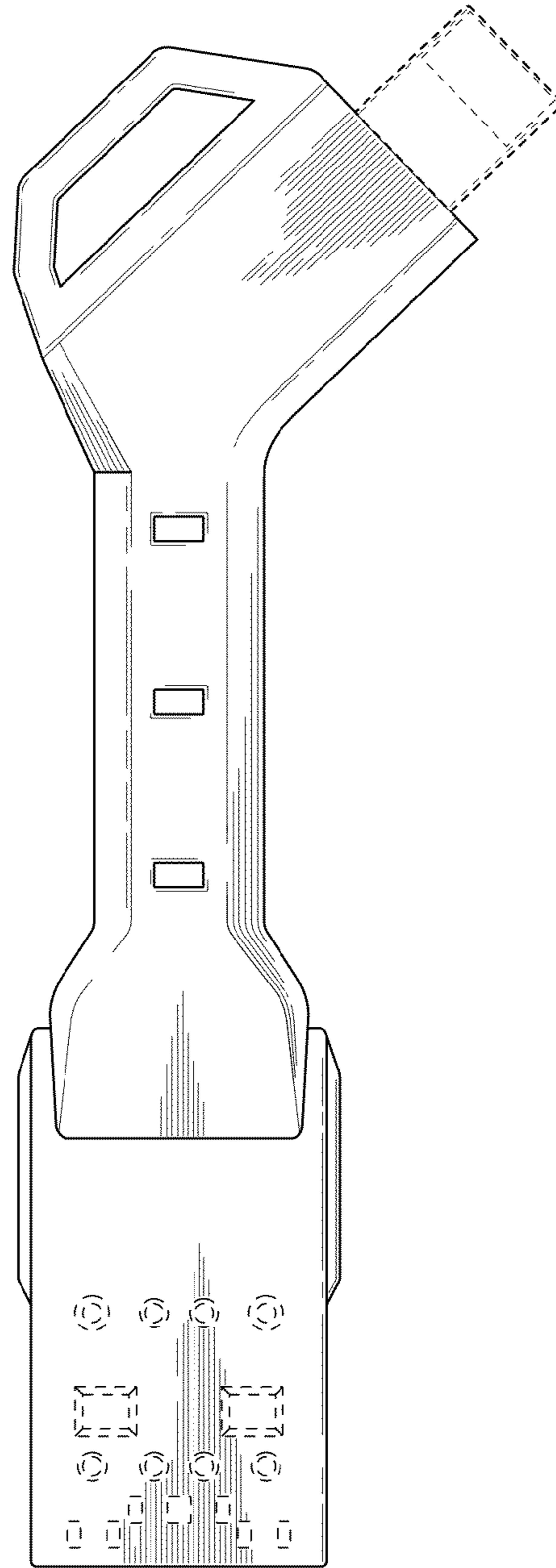


FIG. 3

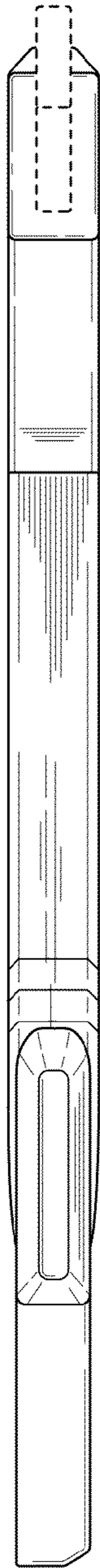


FIG. 4

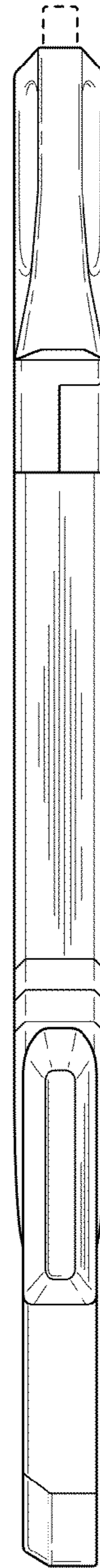


FIG. 5

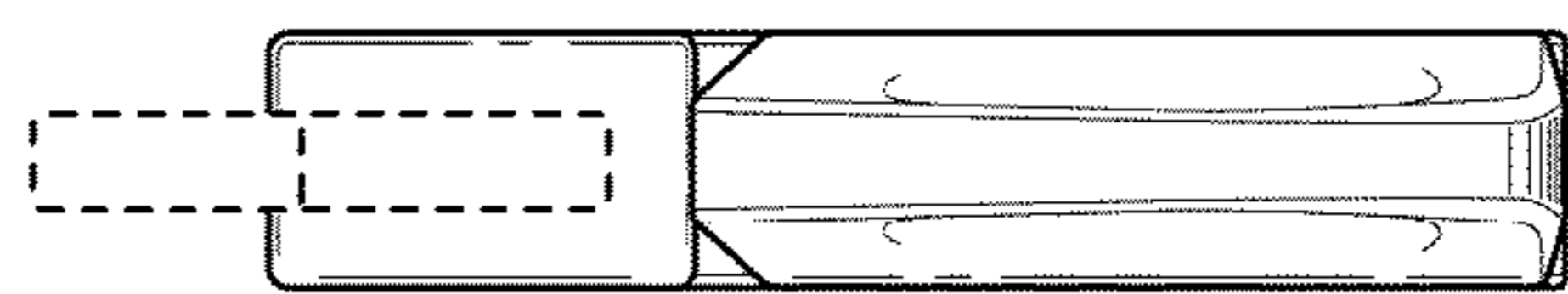


FIG. 6

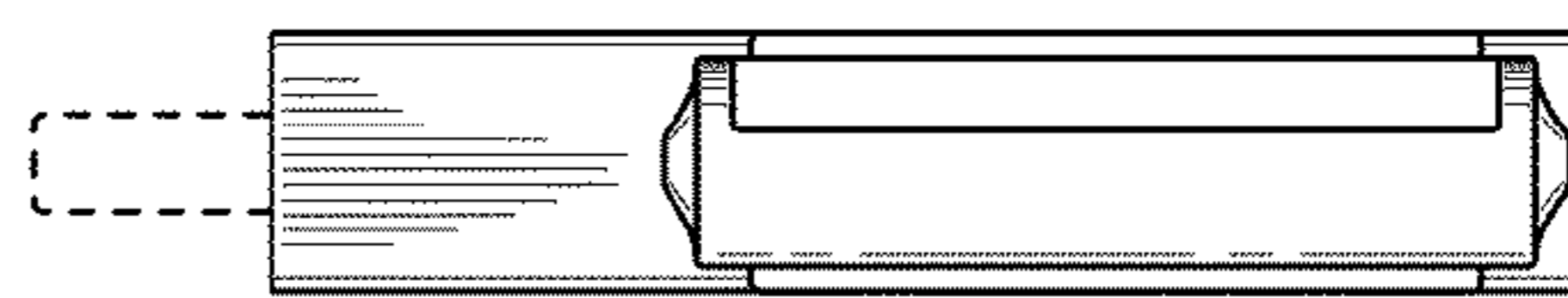


FIG. 7