



US00D736149S

(12) **United States Design Patent**
Liu

(10) **Patent No.:** **US D736,149 S**

(45) **Date of Patent:** **** Aug. 11, 2015**

(54) **USB CHARGER**

(71) Applicant: **Qiuming Liu**, Shenzhen (CN)

(72) Inventor: **Qiuming Liu**, Shenzhen (CN)

(73) Assignee: **KIMREE HI-TECH INC.**, Road Town,
Tortola (VG)

(**) Term: **14 Years**

(21) Appl. No.: **29/464,477**

(22) Filed: **Aug. 16, 2013**

(30) **Foreign Application Priority Data**

Jul. 30, 2013 (CN) 2013 3 0361807

(51) **LOC (10) Cl.** **13-02**

(52) **U.S. Cl.**
USPC **D13/108; D14/480.1**

(58) **Field of Classification Search**

USPC D14/251, 253, 432, 434, 434.1,
D14/480.1–480.7, 484.1; 320/107–115;
D27/137, 186, 193, 194; 131/328–329;
361/679.31, 679.33, 679.4, 752;
711/100, 115
CPC Y02E 60/12; Y02T 90/14; Y02T 90/122;
Y02T 90/128; Y02T 90/163; H02J 7/025;
H02J 7/0042; H02J 7/0044; H02J 7/0045;
H02J 7/0003; H01F 38/14; H01R 13/6675;
H01M 2/1022; H01M 2/1055; H01M 10/44;
H01M 10/46; H01M 10/425; B60L 11/182;
A24F 47/008; G06K 19/07732; H05K 5/0278

See application file for complete search history.

(56) **References Cited**

U.S. PATENT DOCUMENTS

D506,471 S * 6/2005 Iikura et al. D14/480.5
D529,878 S * 10/2006 Wang D14/125
D579,934 S * 11/2008 Okamoto et al. D14/435.1
D595,223 S * 6/2009 Yamamoto et al. D13/108
D673,164 S * 12/2012 Lin et al. D14/480.5
D675,630 S * 2/2013 Ni et al. D14/480.1
D706,787 S * 6/2014 Emami et al. D14/480.7
D711,891 S * 8/2014 Emami et al. D14/480.5
D723,566 S * 3/2015 Ferguson et al. D14/435.1
2007/0015407 A1 * 1/2007 Loftus 439/607
2008/0144270 A1 * 6/2008 Dal Porto et al. 361/684
2012/0106412 A1 * 5/2012 Hsu 370/310

* cited by examiner

Primary Examiner — Rosemary K Tarcza

(74) *Attorney, Agent, or Firm* — Locke Lord LLP; Tim
Tingkang Xia, Esq.

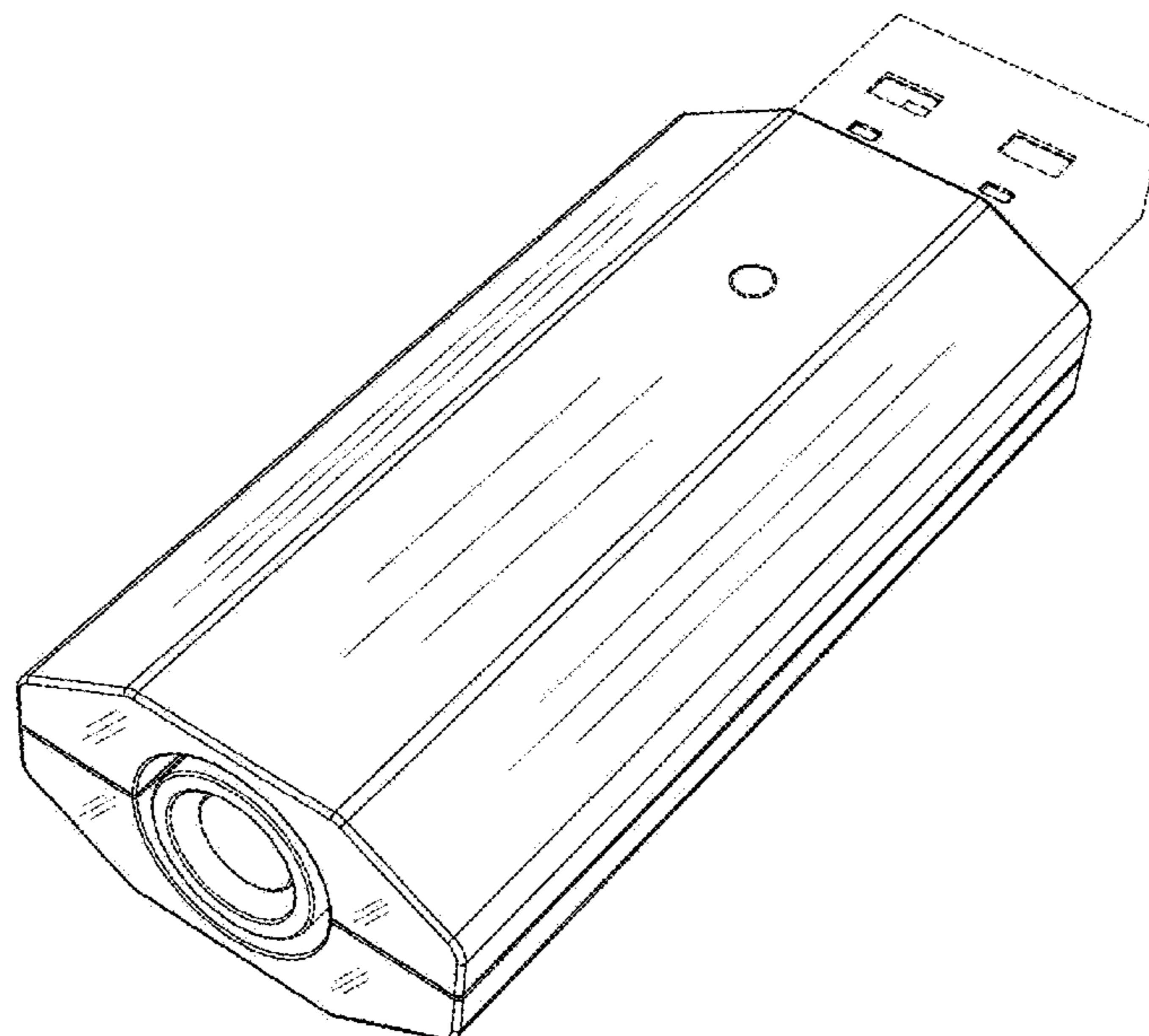
(57) **CLAIM**

The ornamental design for a USB charger, as shown and
described.

DESCRIPTION

FIG. 1 is a front elevation view of a USB charger;
FIG. 2 is a rear elevation view of the USB charger;
FIG. 3 is a left side elevation view of the USB charger, and the
right view is a mirror image of the left view;
FIG. 4 is a bottom plan view of the USB charger;
FIG. 5 is a top plan view of the USB charger;
FIG. 6 is a first perspective view of the USB charger;
FIG. 7 is a second perspective view of the USB charger;
FIG. 8 is a third perspective view of the USB charger; and,
FIG. 9 is a fourth perspective view of the USB charger.
The broken lines shown in the drawings are included for the
purpose of illustrating environmental structure and form no
part of the claimed design.

1 Claim, 8 Drawing Sheets



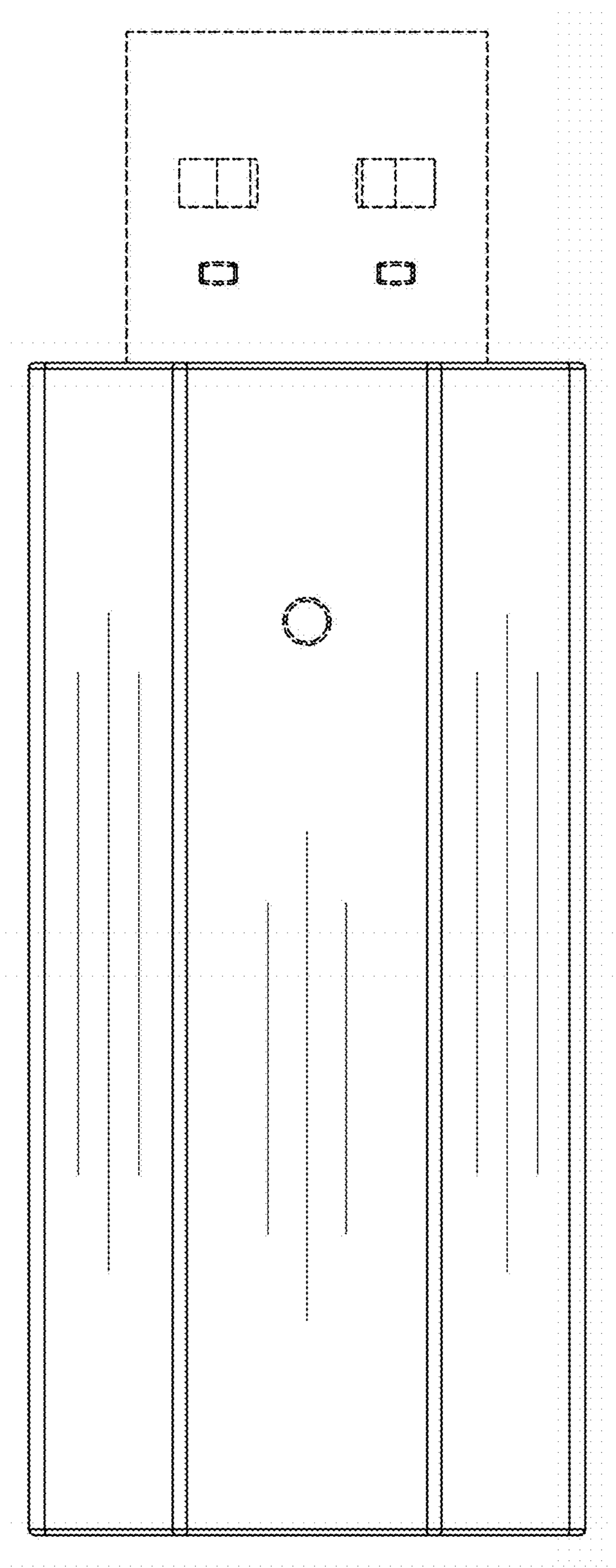


Fig. 1

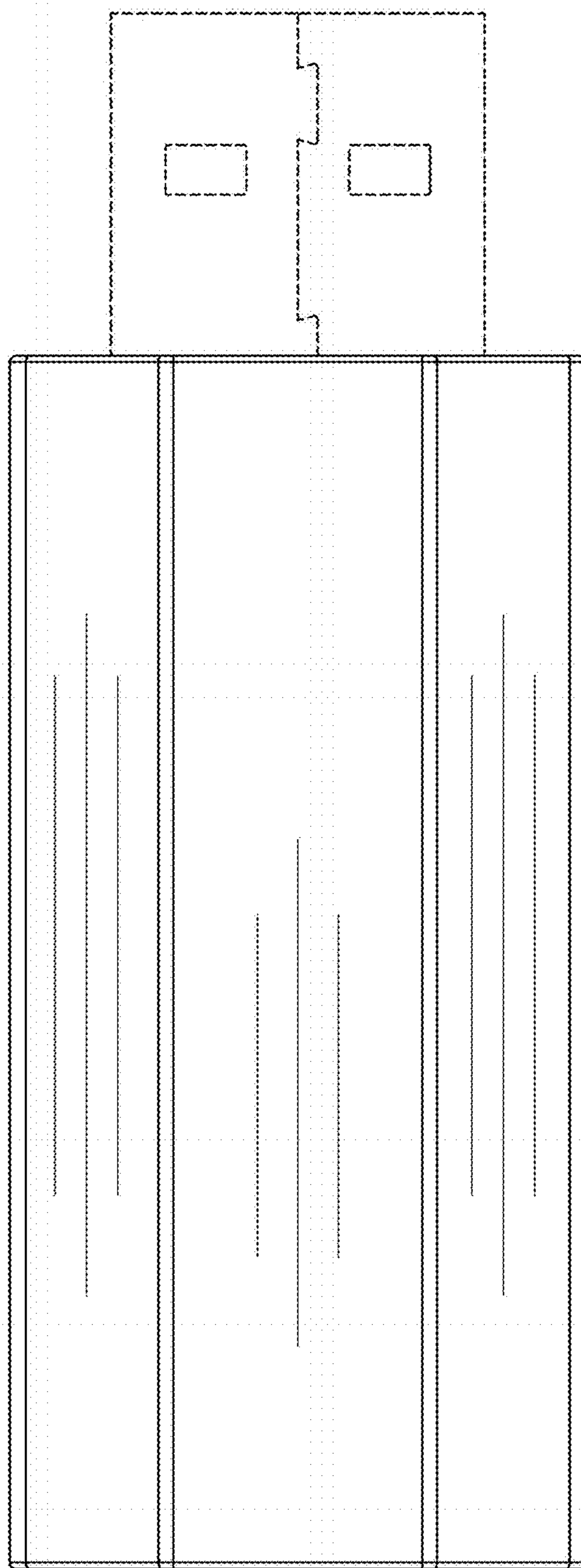


Fig. 2

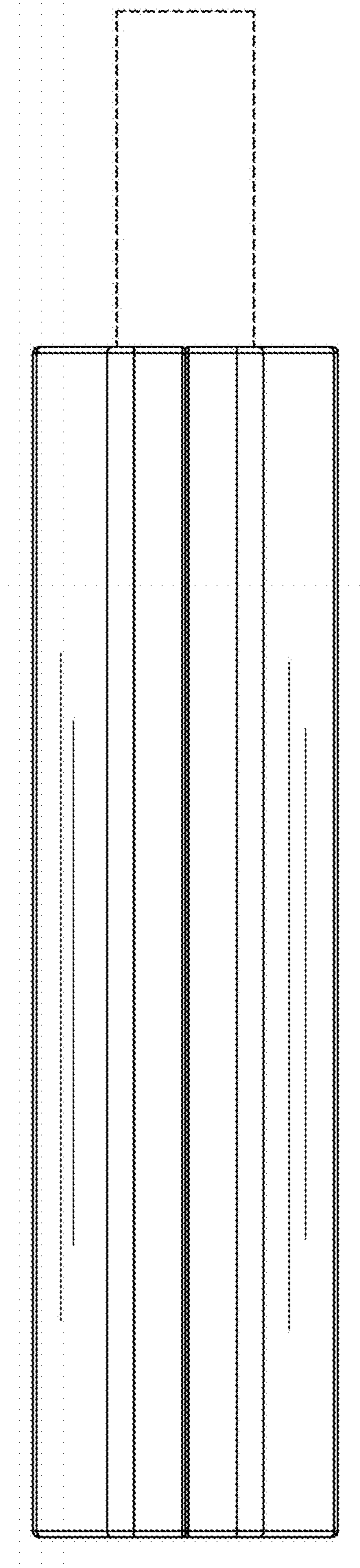


Fig. 3

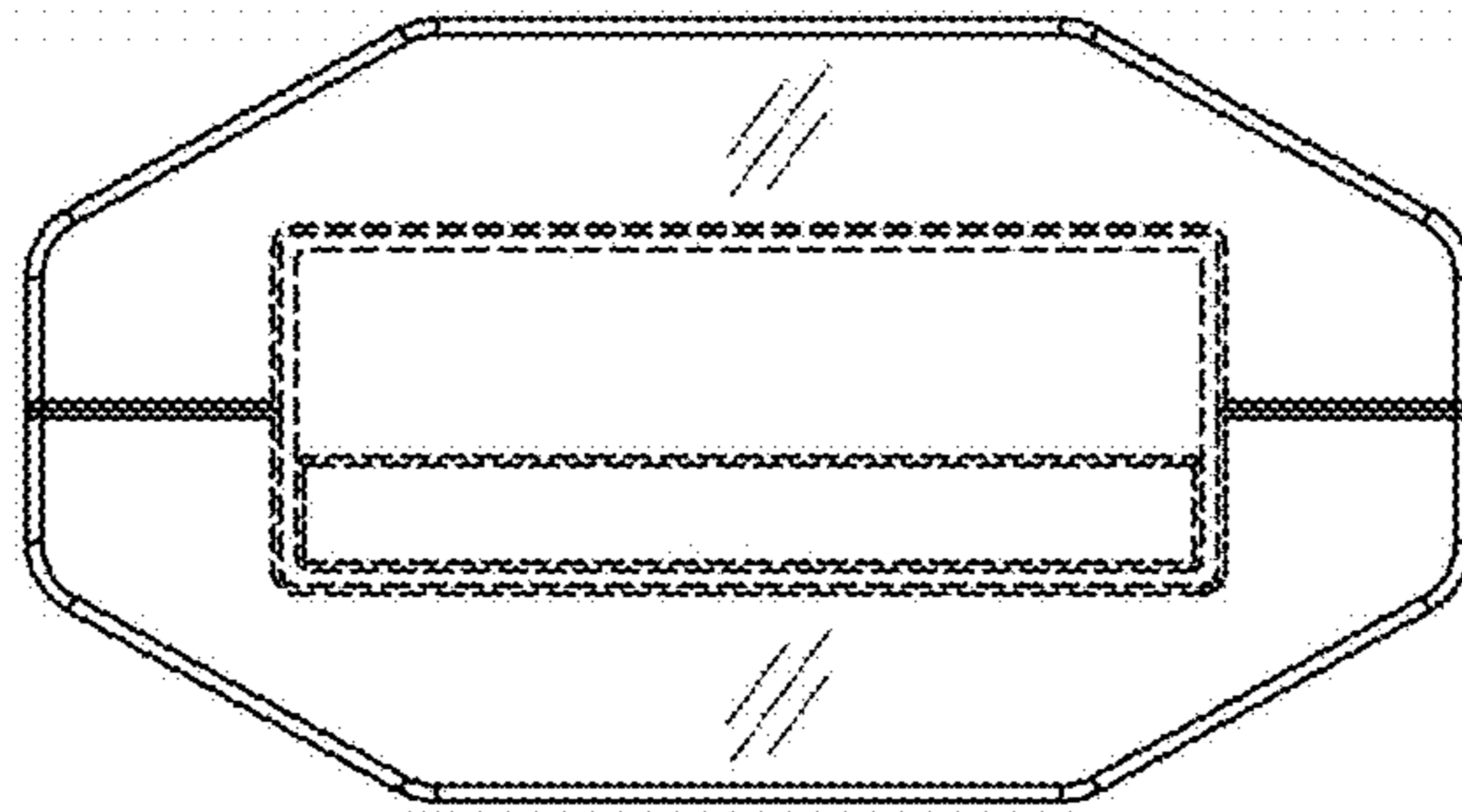


Fig. 4

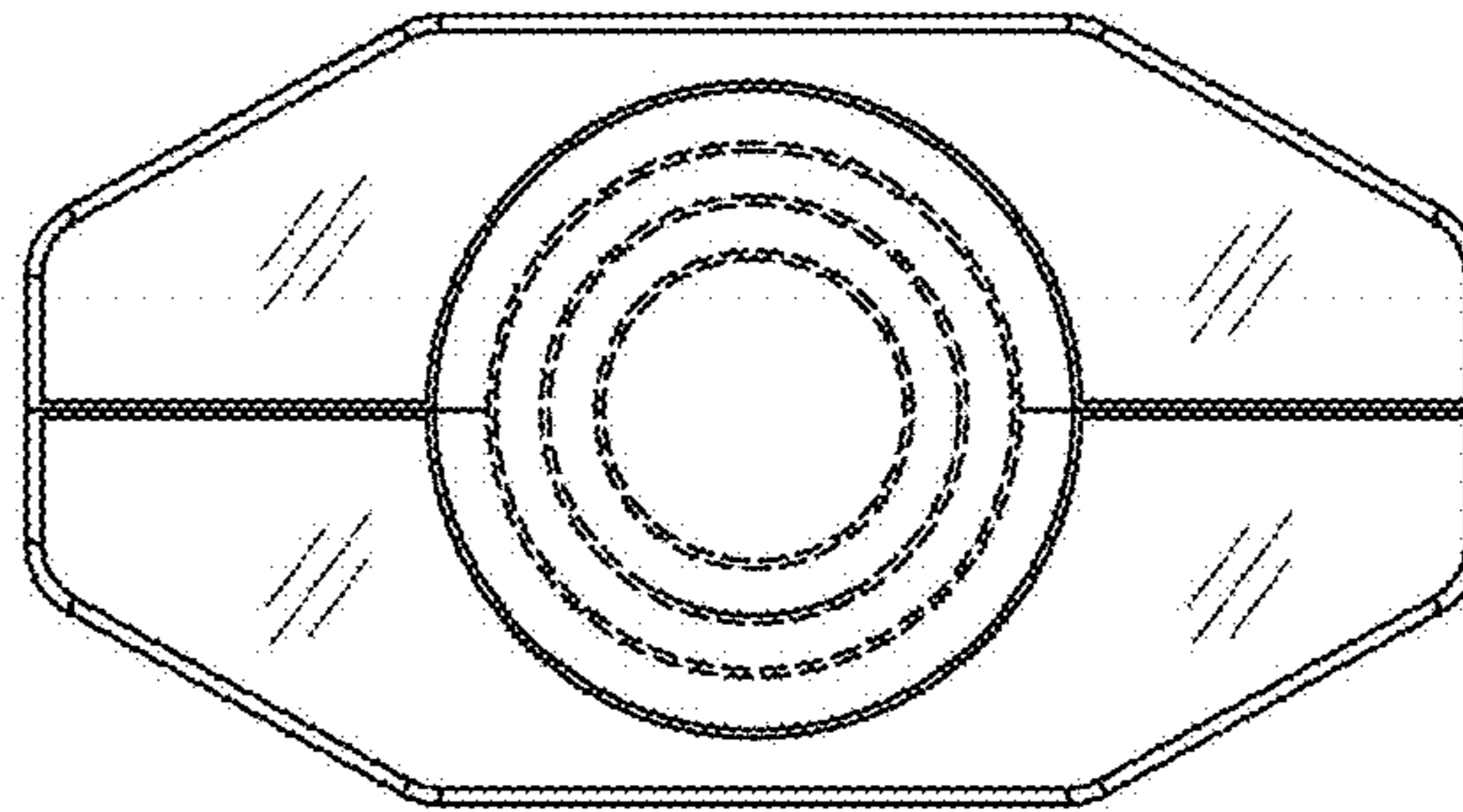


Fig. 5

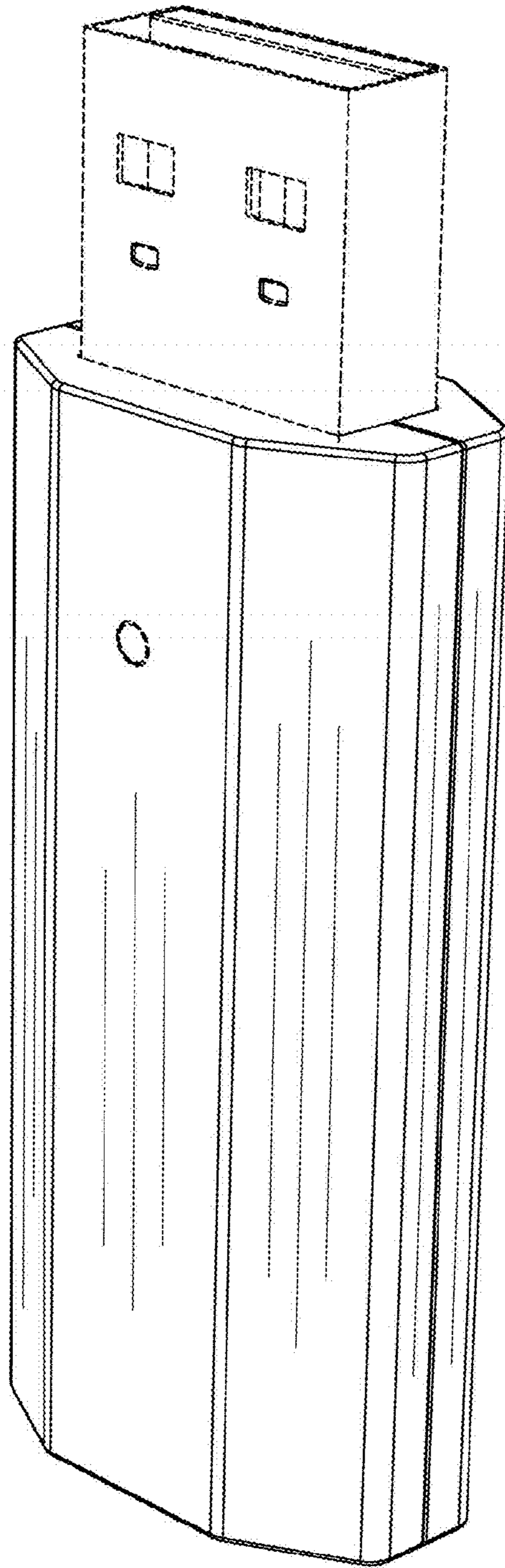


Fig. 6

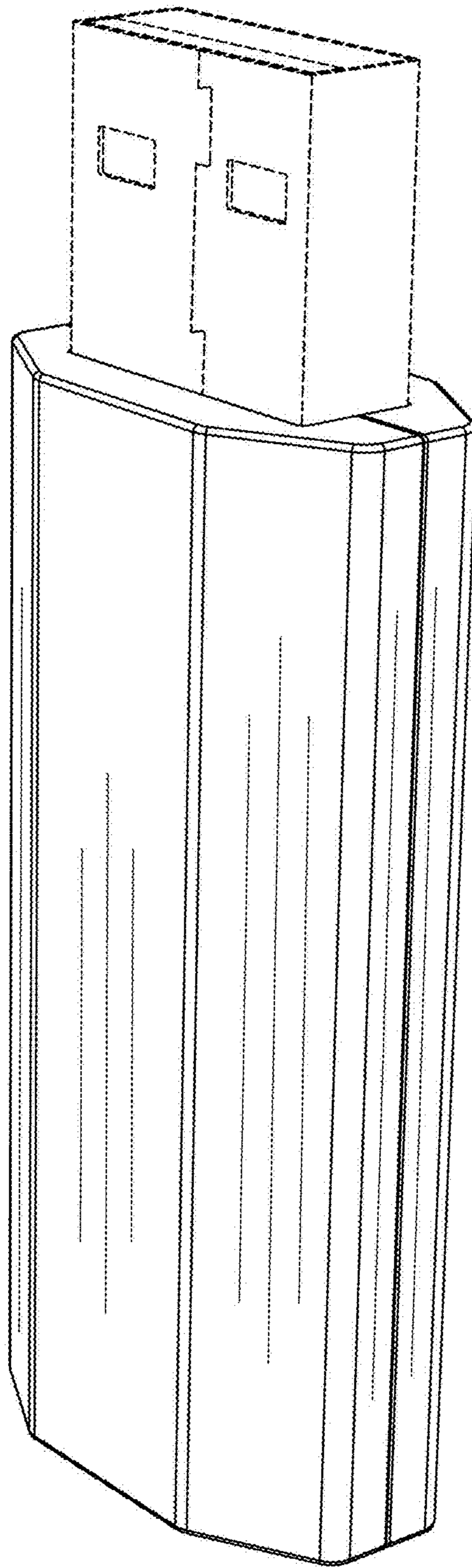


Fig. 7

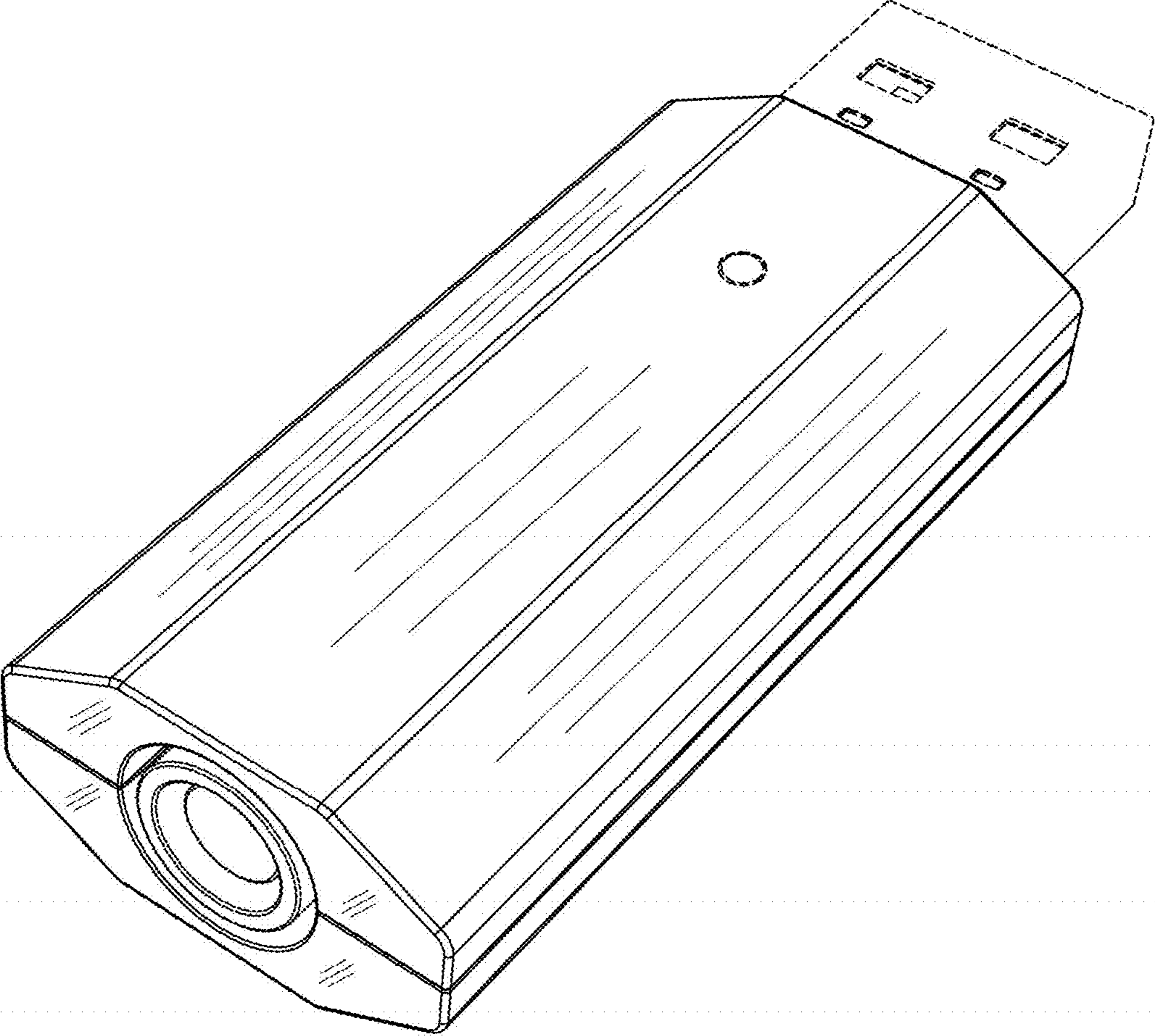


Fig. 8

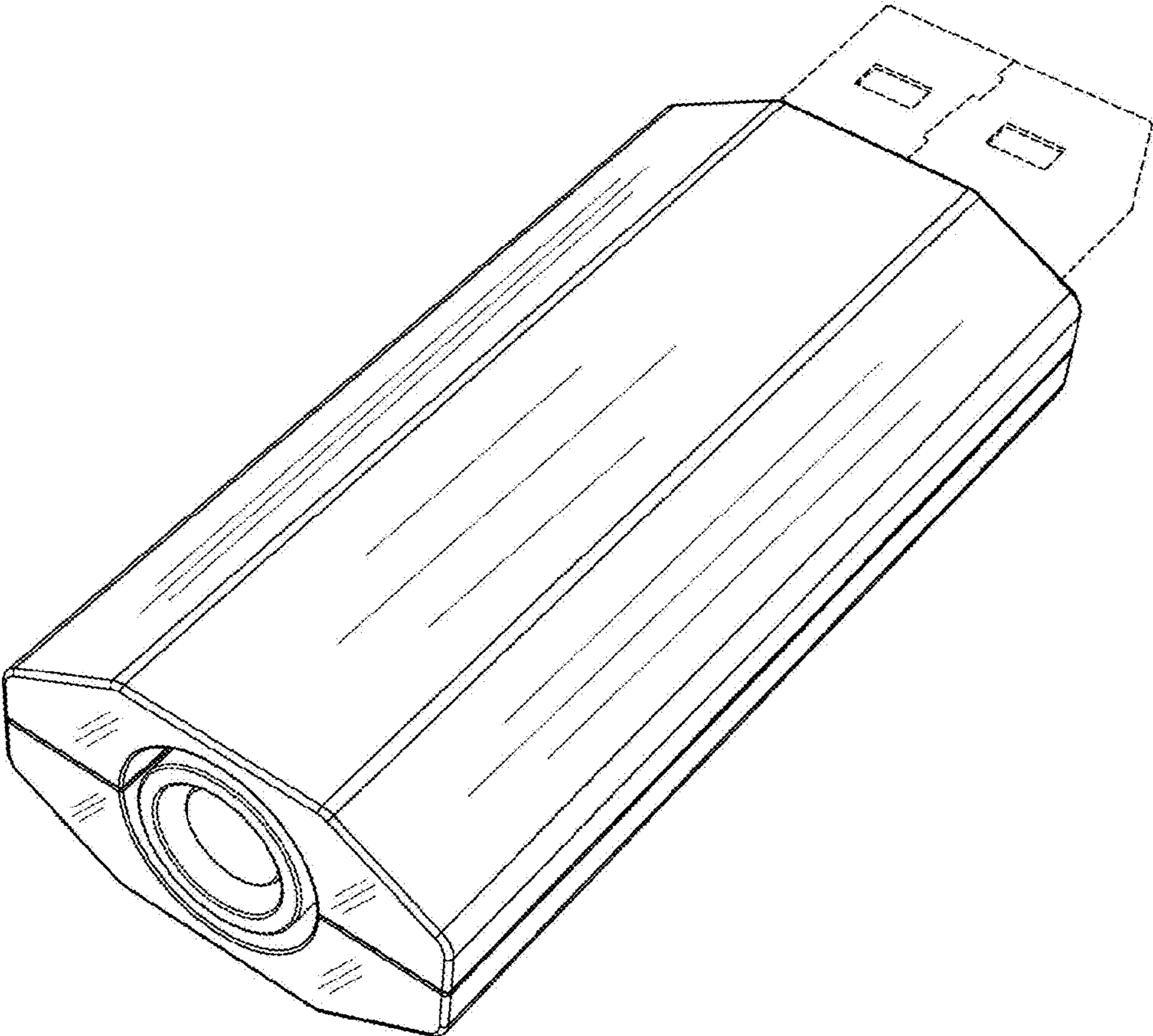


Fig. 9