

US00D736148S

(12) **United States Design Patent**
Liu

(10) **Patent No.:** **US D736,148 S**

(45) **Date of Patent:** **** Aug. 11, 2015**

(54) **USB CHARGER**

(71) Applicant: **Qiuming Liu**, Shenzhen (CN)

(72) Inventor: **Qiuming Liu**, Shenzhen (CN)

(73) Assignee: **KIMREE HI-TECH INC.**, Road Town, Tortola (VG)

(**) Term: **14 Years**

(21) Appl. No.: **29/461,608**

(22) Filed: **Jul. 25, 2013**

(30) **Foreign Application Priority Data**

Jul. 12, 2013 (CN) 2013 3 0327049

(51) **LOC (10) Cl.** **13-02**

(52) **U.S. Cl.**
USPC **D13/108**; D27/194; D14/480.1

(58) **Field of Classification Search**
USPC D13/107-110, 118-119, 184, 199;
D14/251, 253, 432, 434, 434.1,
D14/480.1-480.7, 484.1; 320/107-115;
D27/137, 186, 193, 194; 131/328-329;
361/679.31, 679.33, 679.4, 752;
711/100, 115

CPC Y02E 60/12; Y02T 90/14; Y02T 90/122;
Y02T 90/128; Y02T 90/163; H02J 7/025;
H02J 7/0042; H02J 7/0044; H02J 7/0045;
H02J 7/0003; H01F 38/14; H01R 13/6675;
H01M 2/1022; H01M 2/1055; H01M 10/44;
H01M 10/46; H01M 10/425; B60L 11/182;
A24F 47/008; G06K 19/07732; H05K 5/0278
See application file for complete search history.

(56) **References Cited**

U.S. PATENT DOCUMENTS

7,035,110 B1 * 4/2006 Wang et al. 361/737
7,296,345 B1 * 11/2007 Wang et al. 29/832
D558,145 S * 12/2007 Stavoe et al. D13/154
D579,934 S * 11/2008 Okamoto et al. D14/435.1

D582,419 S * 12/2008 Sheba et al. D14/480.5
D595,223 S * 6/2009 Yamamoto et al. D13/108
D604,247 S * 11/2009 Zhao et al. D13/147
D623,145 S * 9/2010 Amidon et al. D13/154

(Continued)

Primary Examiner — Rosemary K Tarca

(74) *Attorney, Agent, or Firm* — Locke Lord LLP; Tim Tingkang Xia, Esq.

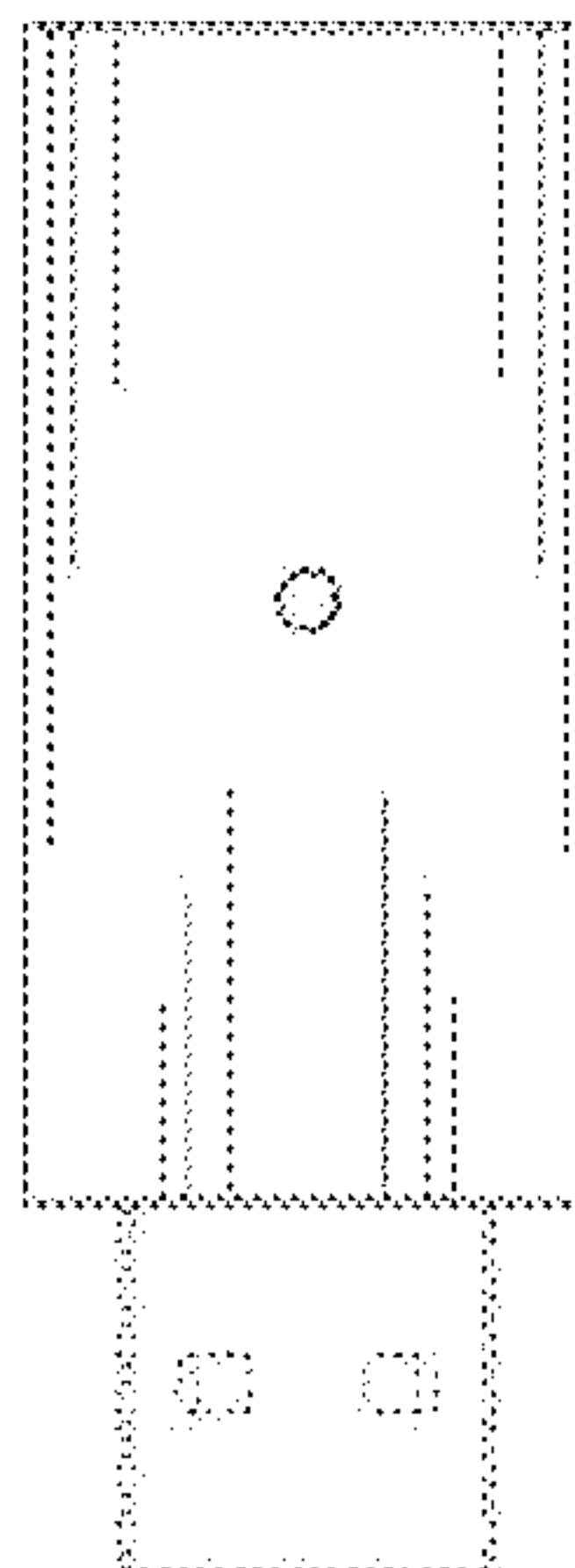
(57) **CLAIM**

The ornamental design for a USB charger, as shown and described.

DESCRIPTION

FIG. 1 is a front elevational view of an embodiment of a USB charger;
FIG. 2 is a rear elevational view of the embodiment of the USB charger;
FIG. 3 is a top plan view of the embodiment of the USB charger;
FIG. 4 is a bottom plan view of the embodiment of the USB charger;
FIG. 5 is a left side elevational view of the embodiment of the USB charger;
FIG. 6 is a right side elevational view of the embodiment of the USB charger;
FIG. 7 is a first perspective view of the embodiment of the USB charger;
FIG. 8 is a second perspective view of the embodiment of the USB charger;
FIG. 9 is a third perspective view of the embodiment of the USB charger;
FIG. 10 is a fourth perspective view of the embodiment of the USB charger;
FIG. 11 is a first reference view of the embodiment of the USB charger; and,
FIG. 12 is a second reference view of the embodiment of the USB charger.
The broken lines shown in the drawings are included for the purpose of illustrating environmental structure and form no part of the claimed design.

1 Claim, 7 Drawing Sheets



(56)

References Cited

U.S. PATENT DOCUMENTS

D647,100 S *	10/2011	Huang	D14/480.7	D699,188 S *	2/2014	Akana et al.	D13/147
D658,666 S *	5/2012	Fukuoka et al.	D14/480.5	D703,145 S *	4/2014	Akana et al.	D13/147
D675,575 S *	2/2013	Izen et al.	D13/147	D707,180 S *	6/2014	Yi et al.	D13/147
D675,993 S *	2/2013	Izen et al.	D13/147	D711,891 S *	8/2014	Emami et al.	D14/480.5
D678,841 S *	3/2013	Choi et al.	D13/147	D713,350 S *	9/2014	Akana et al.	D13/147
D679,248 S *	4/2013	Choi et al.	D13/147	2004/0233629 A1 *	11/2004	Wang et al.	361/684
D679,249 S *	4/2013	Choi et al.	D13/147	2007/0047359 A1 *	3/2007	He et al.	365/207
D679,250 S *	4/2013	Choi et al.	D13/147	2008/0144270 A1 *	6/2008	Dal Porto et al.	361/684
					2010/0193583 A1 *	8/2010	Tartavull et al.	235/375
					2010/0281209 A1 *	11/2010	Ni et al.	711/103

* cited by examiner

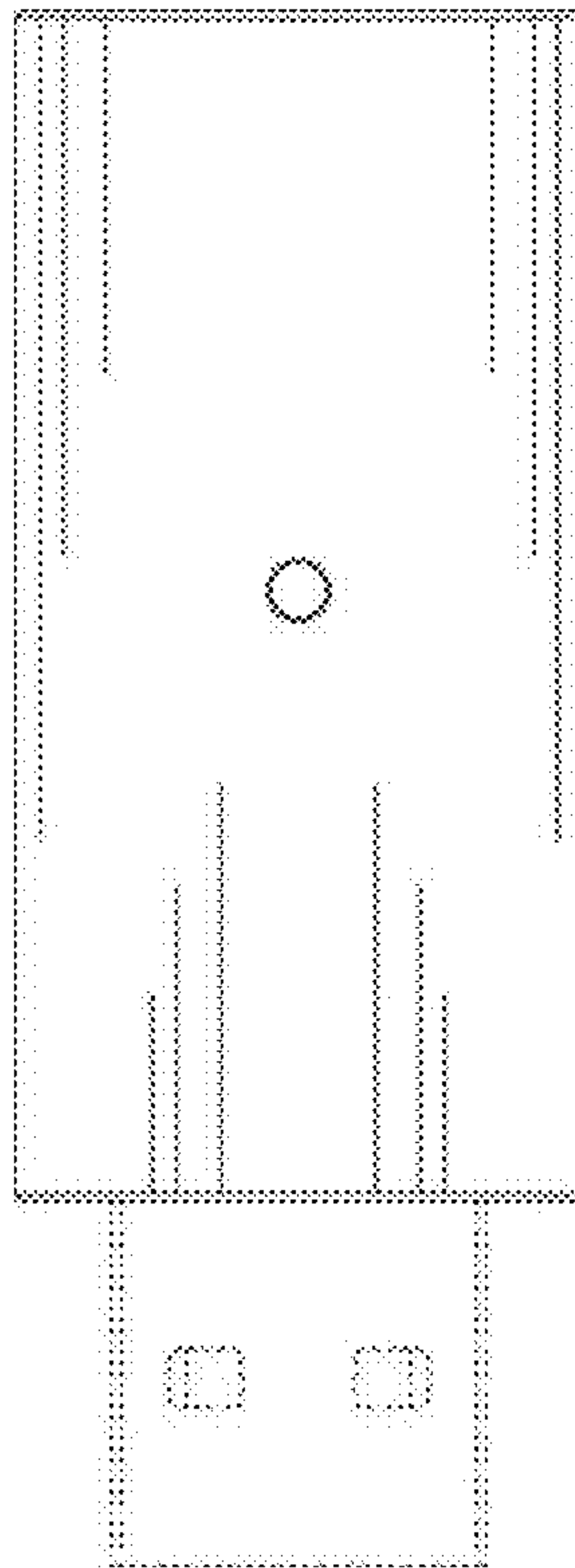


Fig. 1

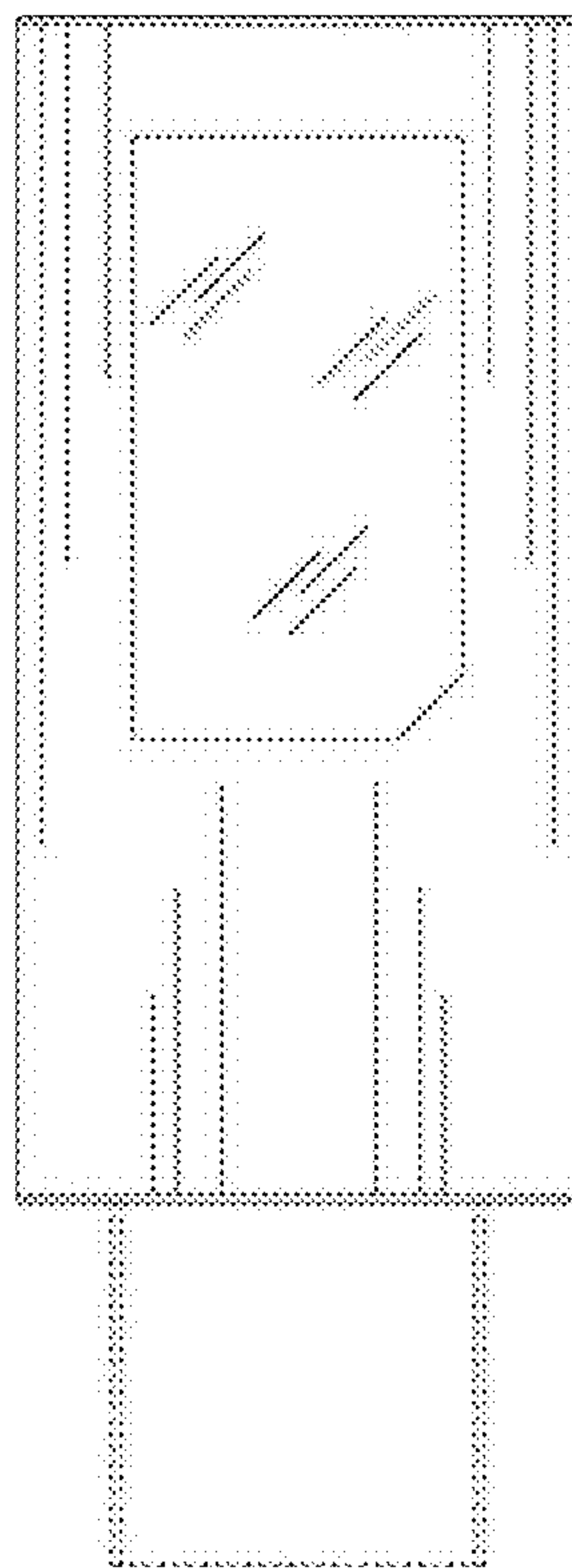


Fig. 2

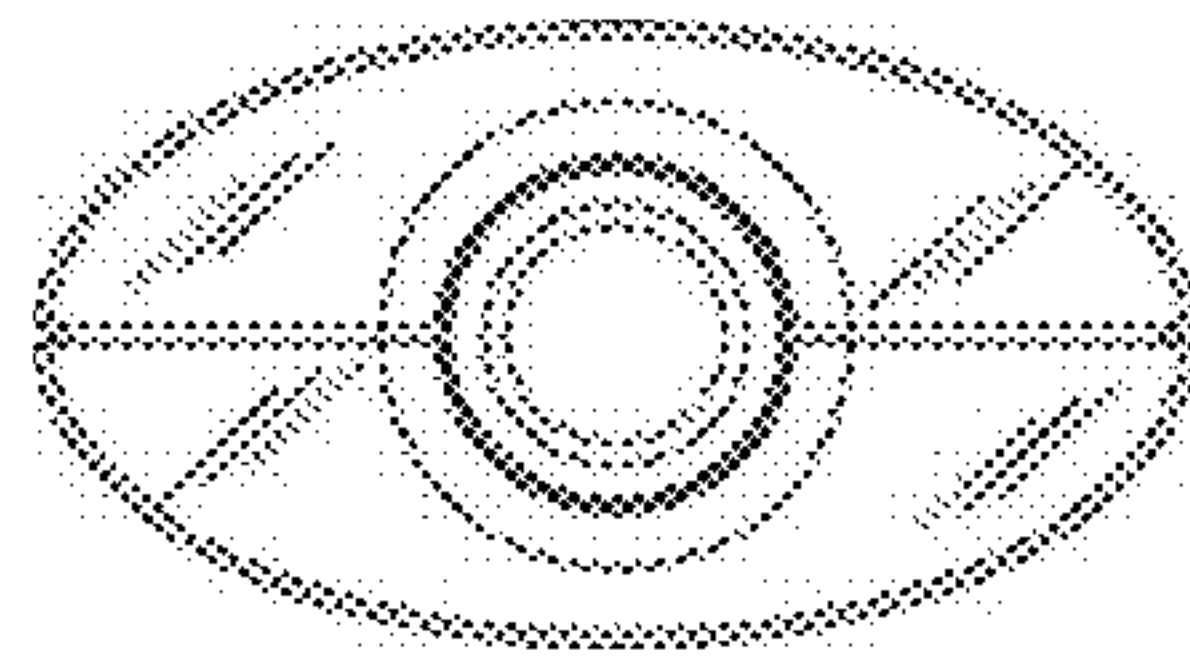


Fig. 3

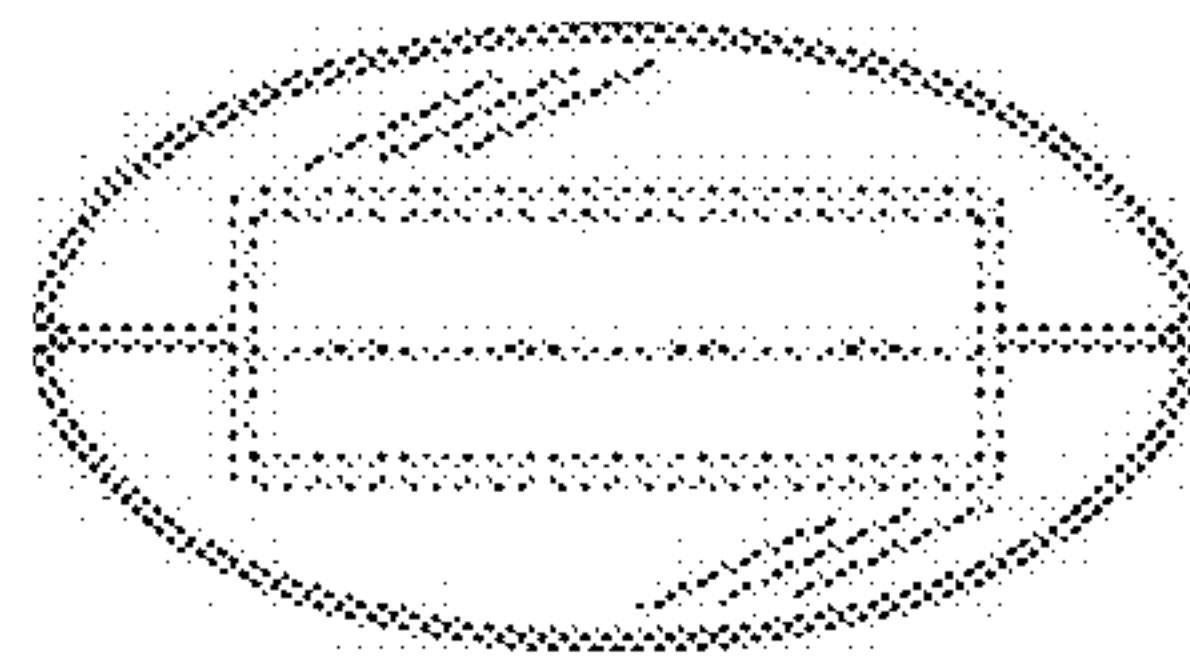


Fig. 4

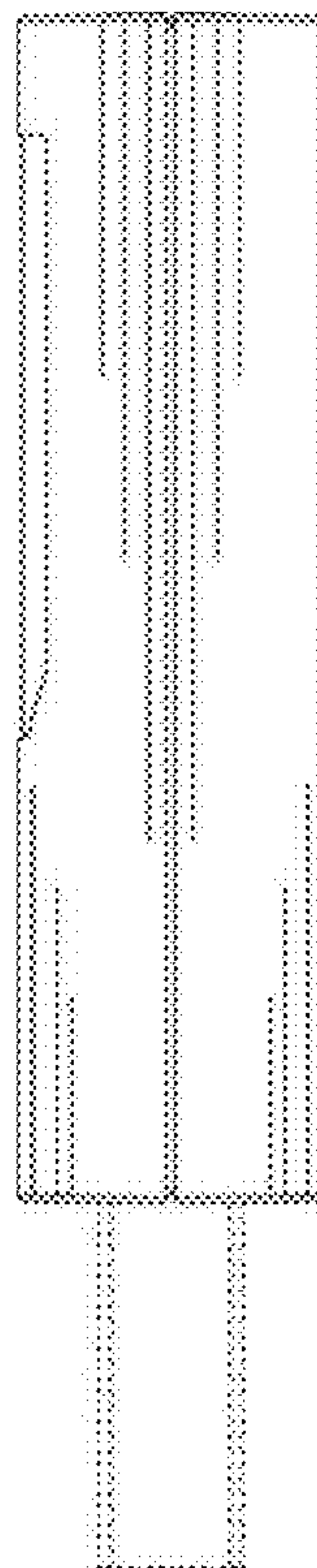


Fig. 5

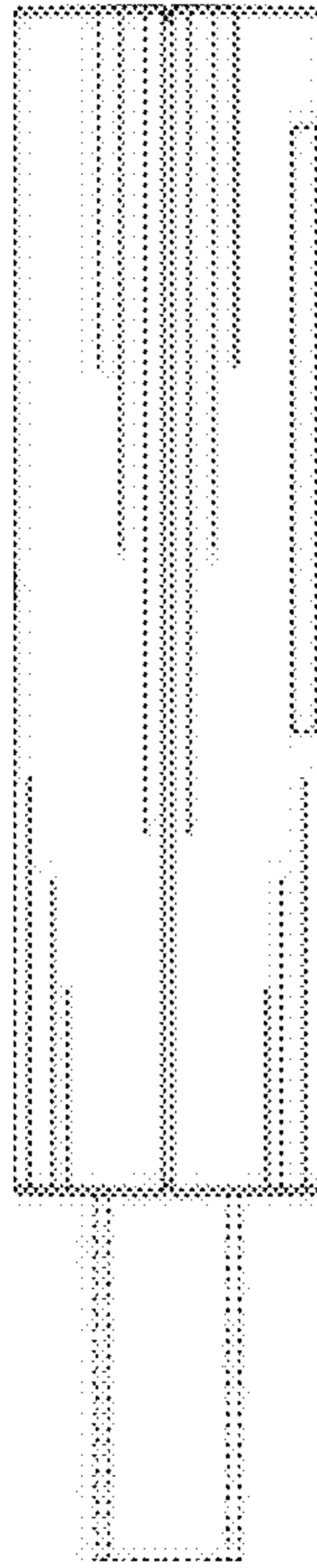


Fig. 6

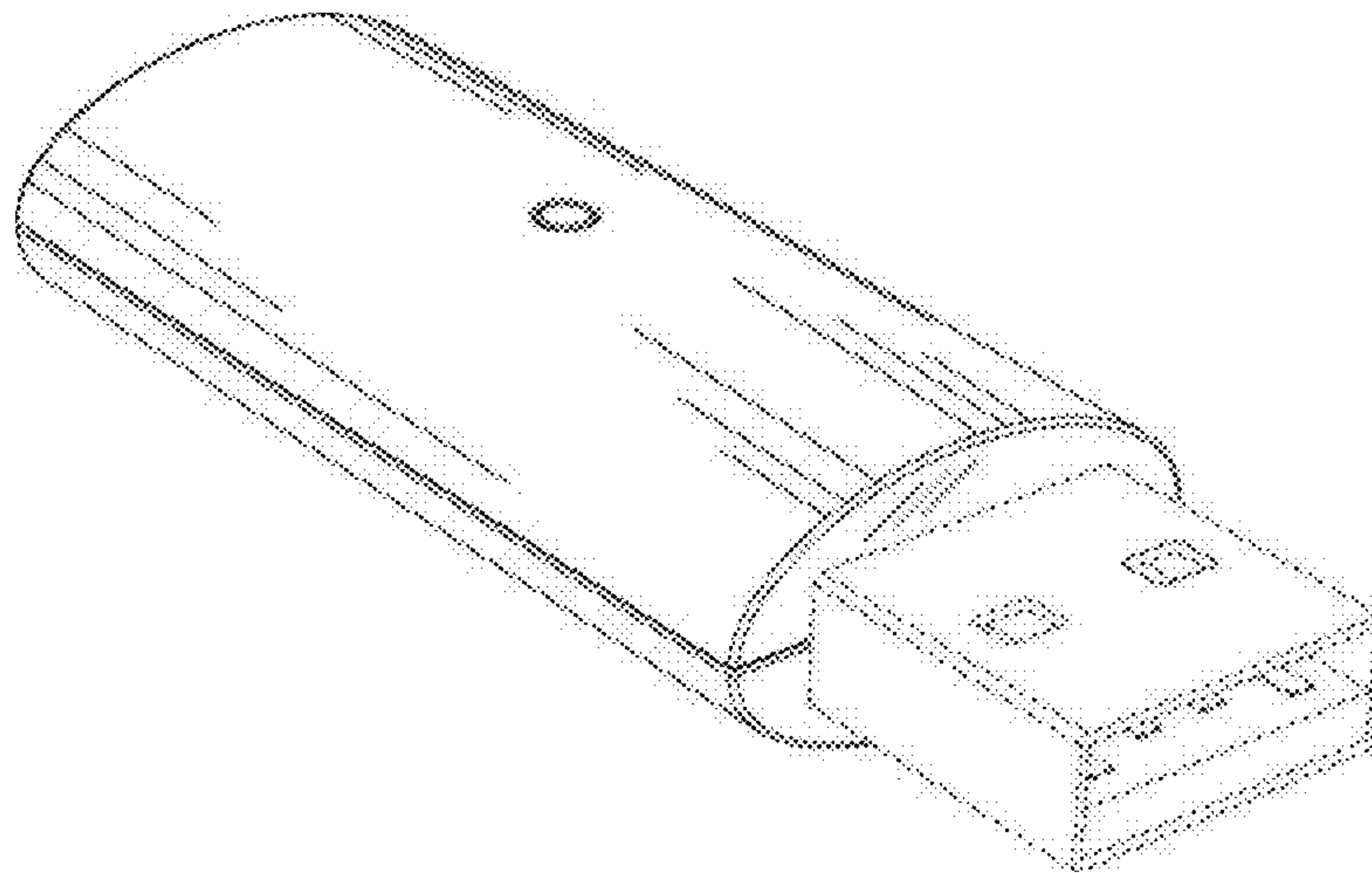


Fig. 7

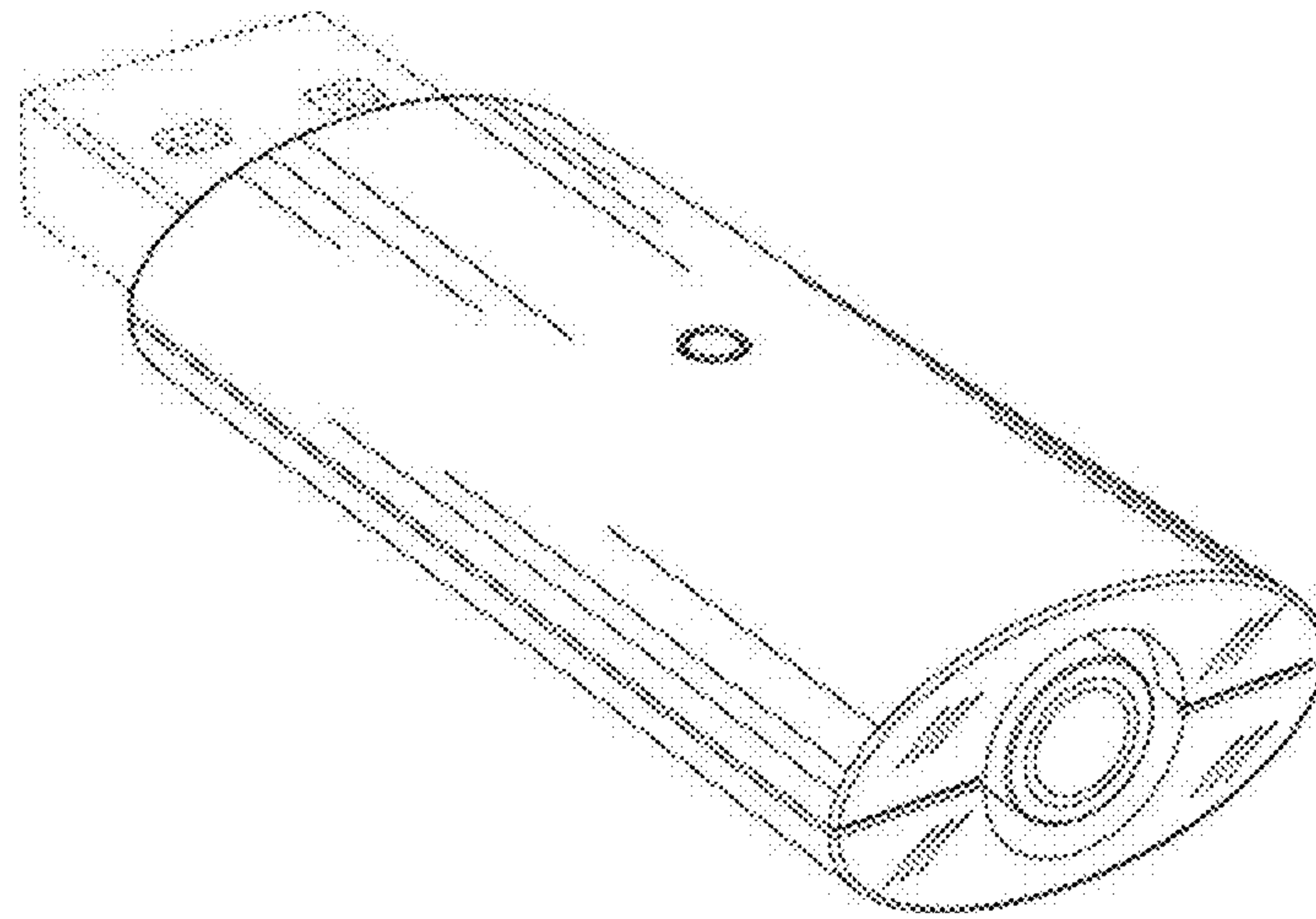


Fig. 8

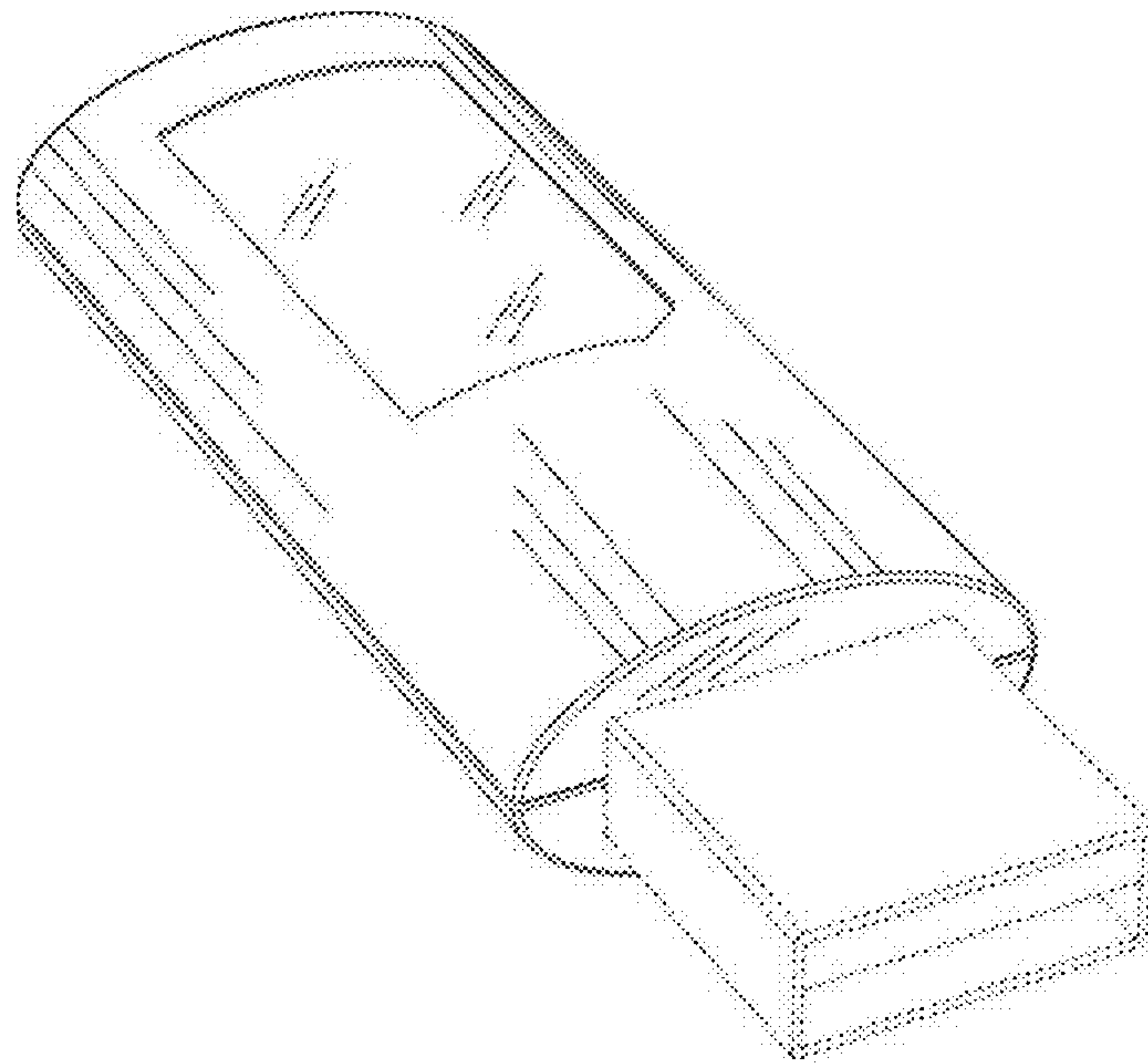


Fig. 9

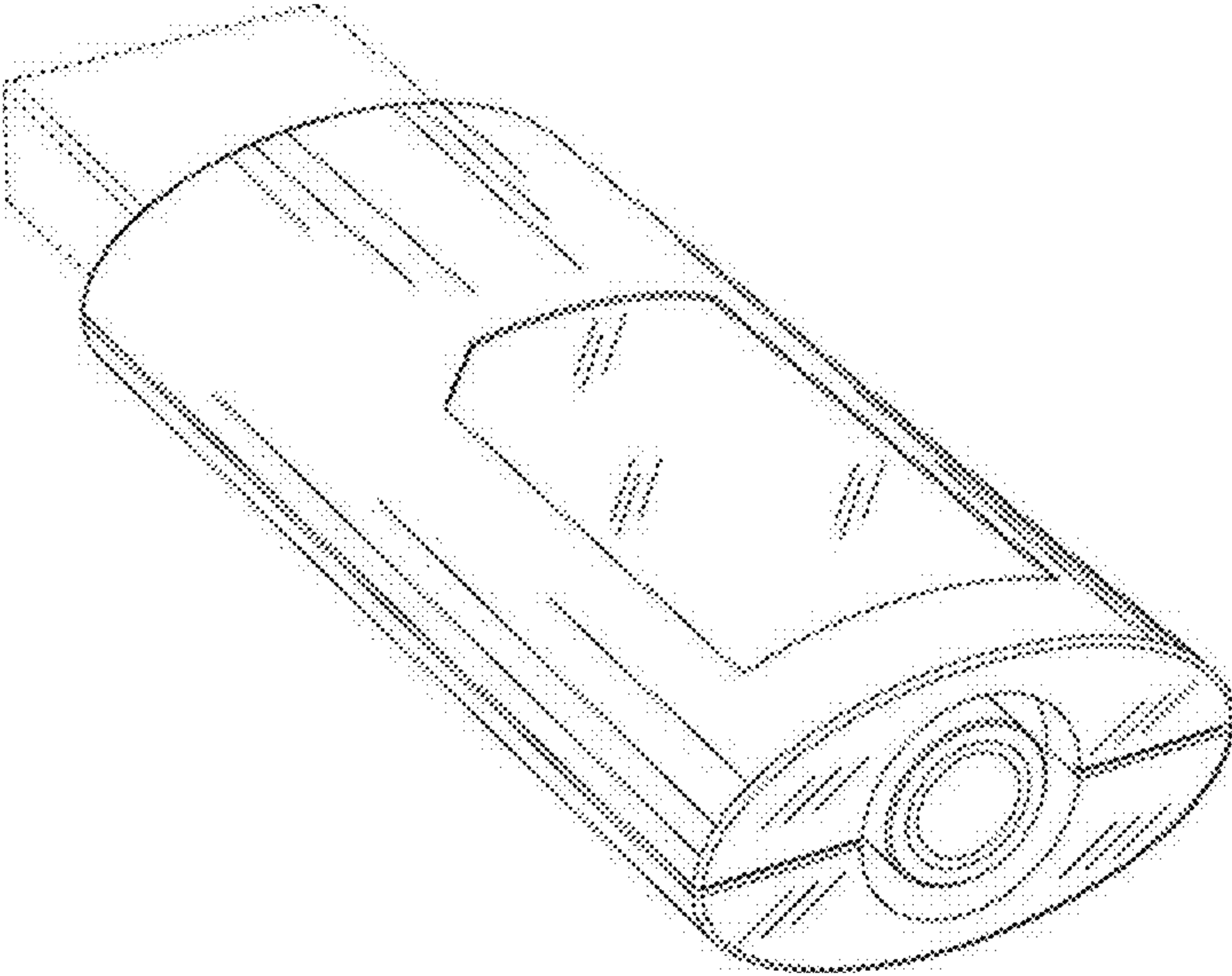


Fig. 10

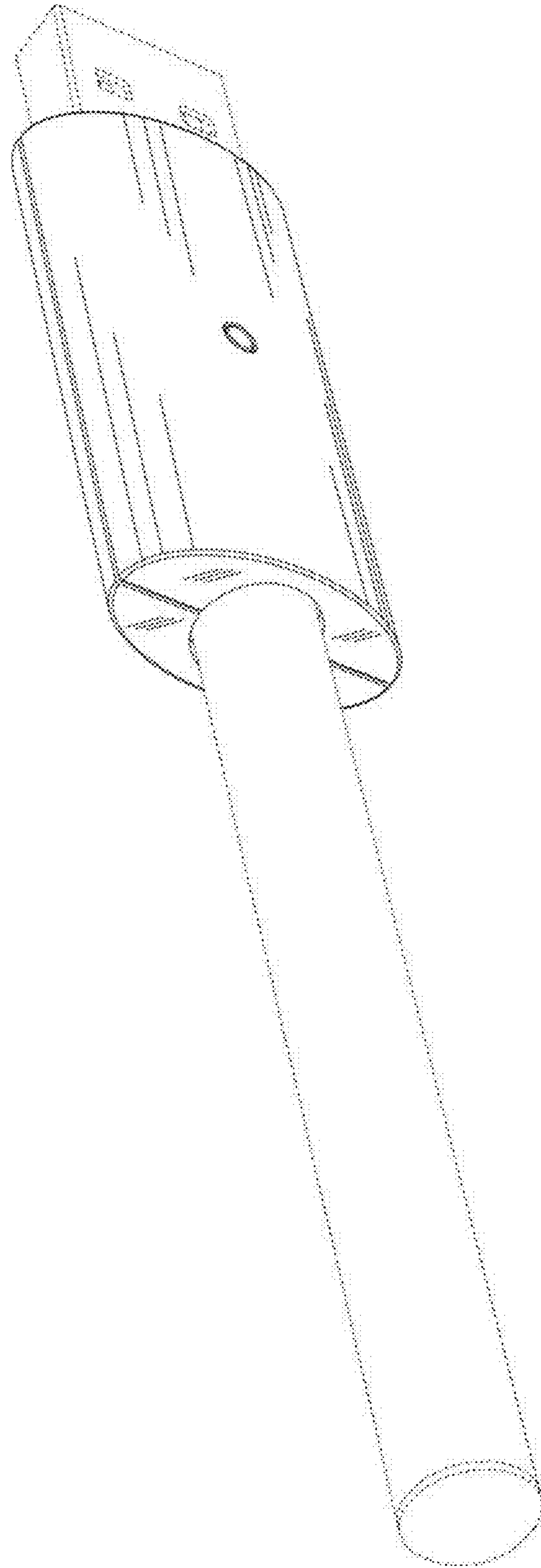


Fig. 11

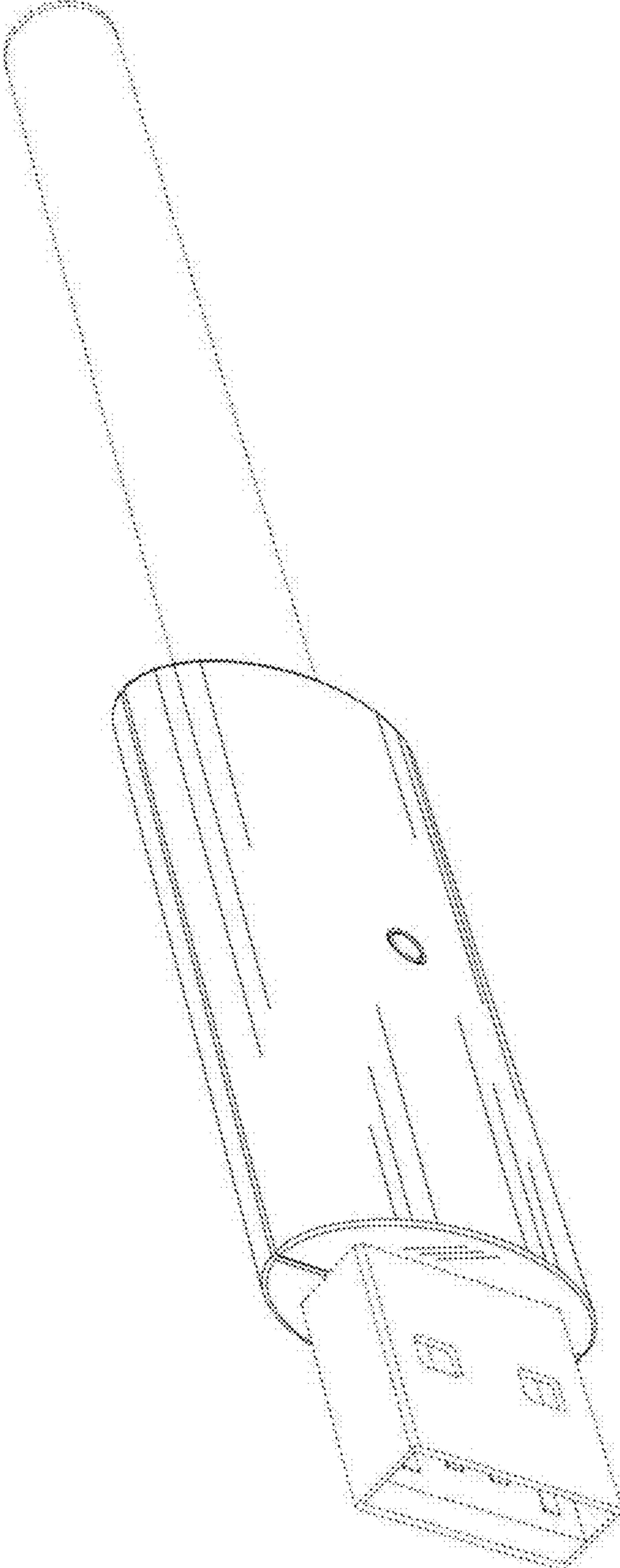


Fig. 12