



US00D736146S

(12) **United States Design Patent**
Rolland et al.

(10) **Patent No.:** **US D736,146 S**

(45) **Date of Patent:** **** Aug. 11, 2015**

(54) **TIRE TREAD**

(71) Applicants: **COMPAGNIE GENERALE DES ETABLISSEMENTS MICHELIN**, Clermont-Ferrand (FR); **MICHELIN RECHERCHE et TECHNIQUE S.A.**, Granges-Paccot (CH)

(72) Inventors: **Maxime Rolland**, Greer, SC (US); **Luz Restrepo**, Taylors, SC (US); **John Anthony Hutz**, Greer, SC (US)

(73) Assignees: **MICHELIN RECHERCHE et TECHNIQUE S.A.**, Granges-Paccot (CH); **COMPAGNIE GENERALE DES ETABLISSEMENTS MICHELIN**, Clermont-Ferrand (FR)

(**) Term: **14 Years**

(21) Appl. No.: **29/481,170**

(22) Filed: **Feb. 3, 2014**

(51) **LOC (10) CI.** **12-15**

(52) **U.S. Cl.**
USPC **D12/600**

(58) **Field of Classification Search**
USPC D12/533-567; 152/209.1-209.9
CPC B60C 1/00; B60C 11/00; B60C 11/03
See application file for complete search history.

(56) **References Cited**

U.S. PATENT DOCUMENTS

| | | |
|------------|---------|-----------------|
| D399,461 S | 10/1998 | Lurois et al. |
| D414,446 S | 9/1999 | Kemp, Jr. |
| D414,725 S | 10/1999 | Kemp, Jr. |
| D416,837 S | 11/1999 | Moore |
| D460,404 S | 7/2002 | Janjareh et al. |
| D461,446 S | 8/2002 | Janjareh et al. |
| D550,147 S | 9/2007 | Radulescu |

| | | | |
|------------|-----------|----------------------|---------|
| D555,078 S | 11/2007 | Radulescu et al. | |
| D584,681 S | * 1/2009 | Shimada | D12/596 |
| D606,931 S | 12/2009 | Radulescu et al. | |
| D618,162 S | 6/2010 | Mayni et al. | |
| D624,009 S | 9/2010 | Vandaele et al. | |
| D643,361 S | * 8/2011 | Voss et al. | D12/594 |
| D646,219 S | * 10/2011 | Suda et al. | D12/591 |
| D646,624 S | * 10/2011 | Yamaguchi | D12/584 |
| D652,369 S | 1/2012 | Lebreton | |
| D662,458 S | 6/2012 | De Benedittis et al. | |
| D668,206 S | 10/2012 | Moore et al. | |

OTHER PUBLICATIONS

Michelin XDA3. Specification Sheet, www.michelintruck.com, 2 pages.

(Continued)

Primary Examiner — George D Kirschbaum

Assistant Examiner — Natasha Vujcic

(74) *Attorney, Agent, or Firm* — Dority & Manning, P.A.

(57) **CLAIM**

The ornamental design for a tire tread, as shown and described.

DESCRIPTION

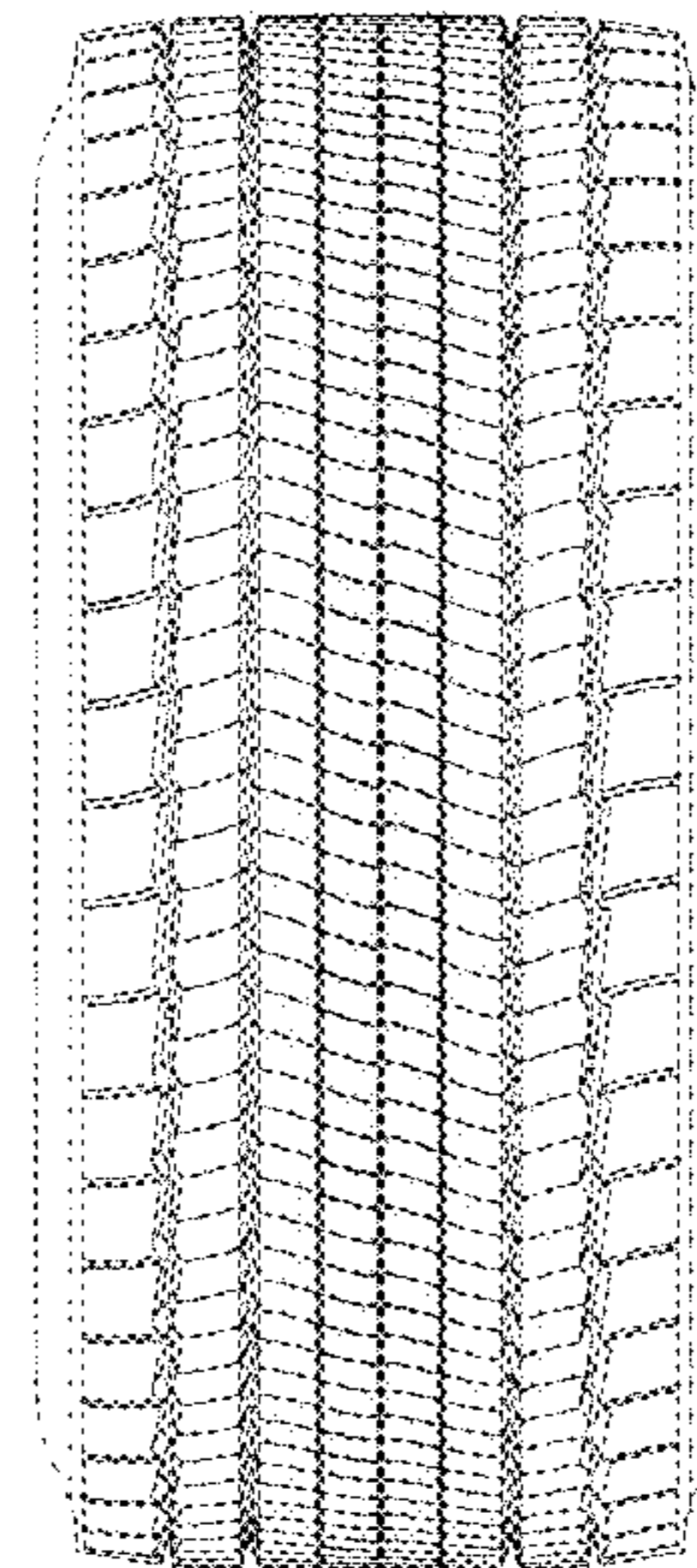
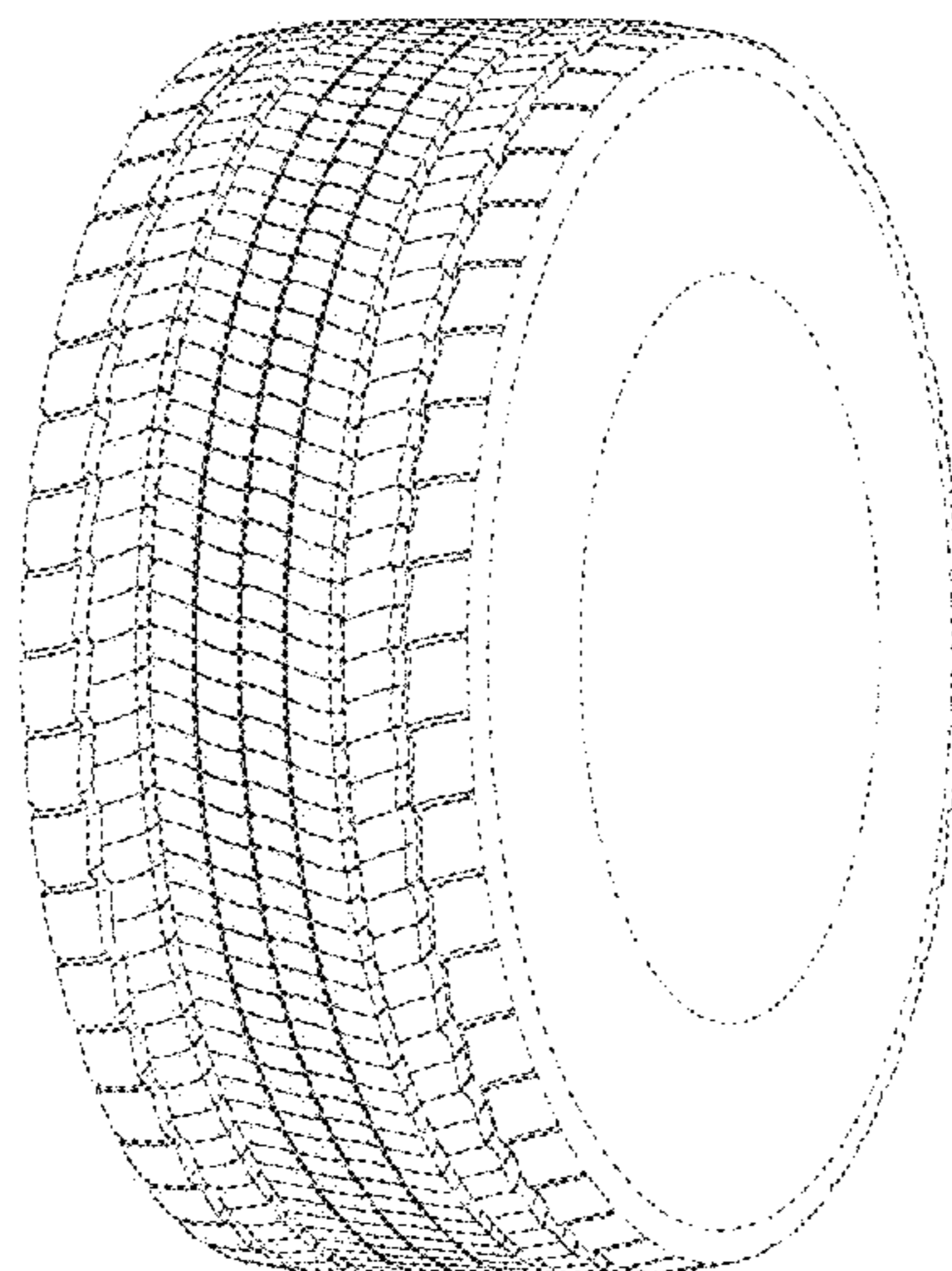
FIG. 1 is a perspective view of a tire tread showing our new design, it being understood that the tread pattern repeats circumferentially throughout the outer circumference and shoulder of the tire, the opposite side perspective being identical thereto;

FIG. 2 is a front elevation view thereof; and,

FIG. 3 is a side elevation view of the right side thereof, the left side elevation being identical thereto.

In the drawings, the broken lines defining the sidewall, inner bead and the peripheral boundary between the claimed tire tread and the unclaimed sidewall depict environmental subject matter that forms no part of the claimed design.

1 Claim, 3 Drawing Sheets



(56)

References Cited

Michelin X One XTE, Specification Sheet, www.michelintruck.com,

OTHER PUBLICATIONS

1 page.

Michelin XTE, Specification Sheet, www.michelintruck.com, 2
pages.

* cited by examiner

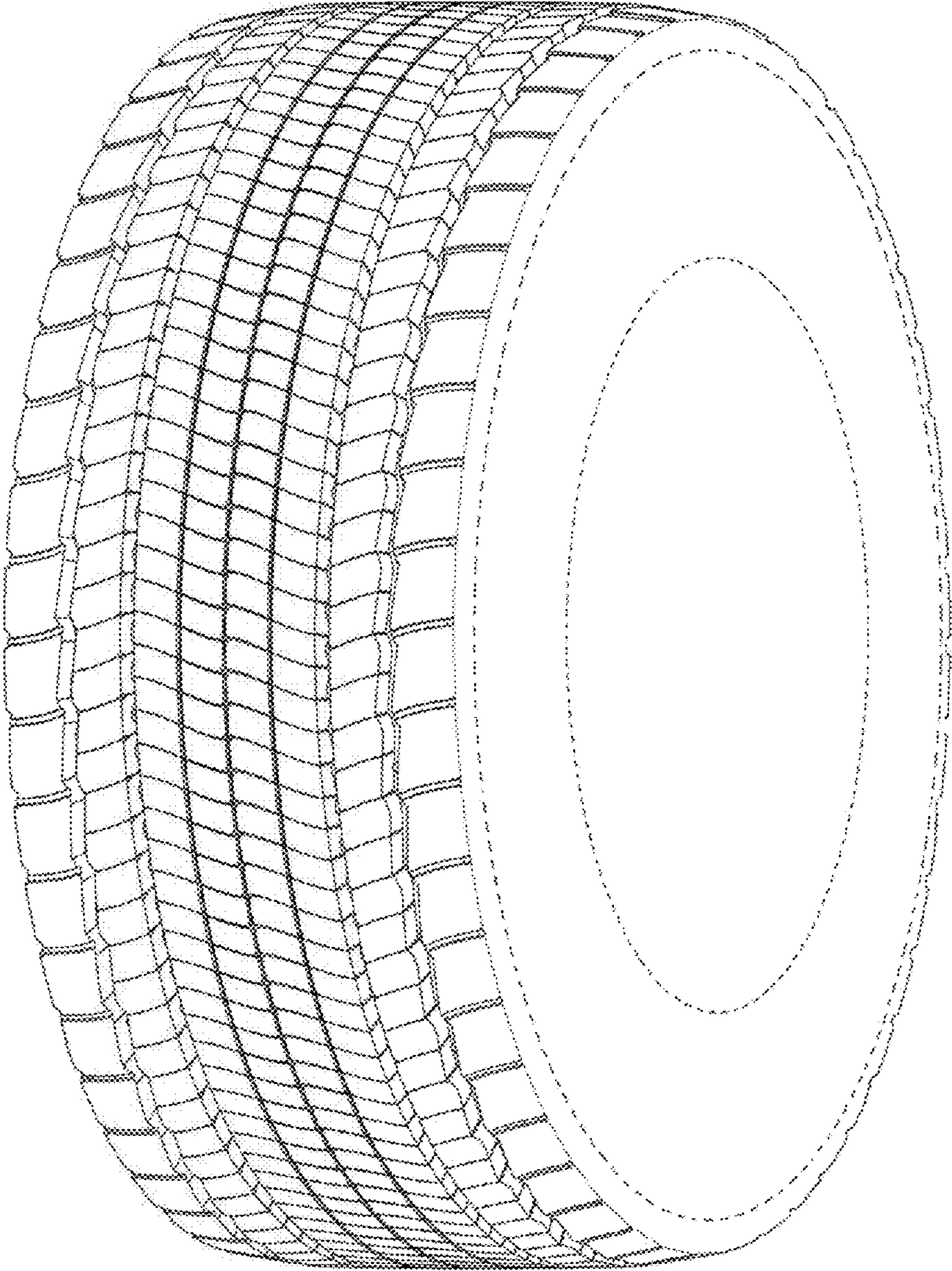


Fig. 1

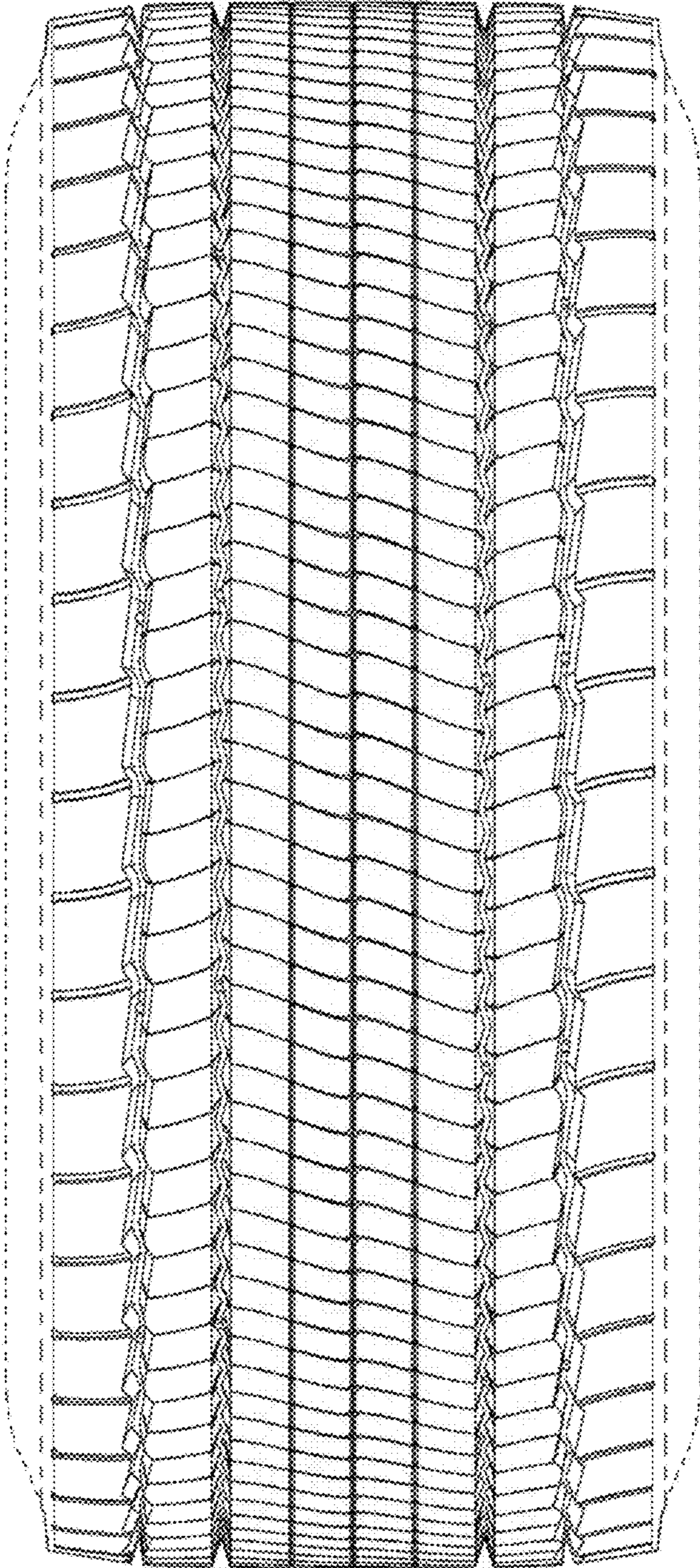


Fig. 2

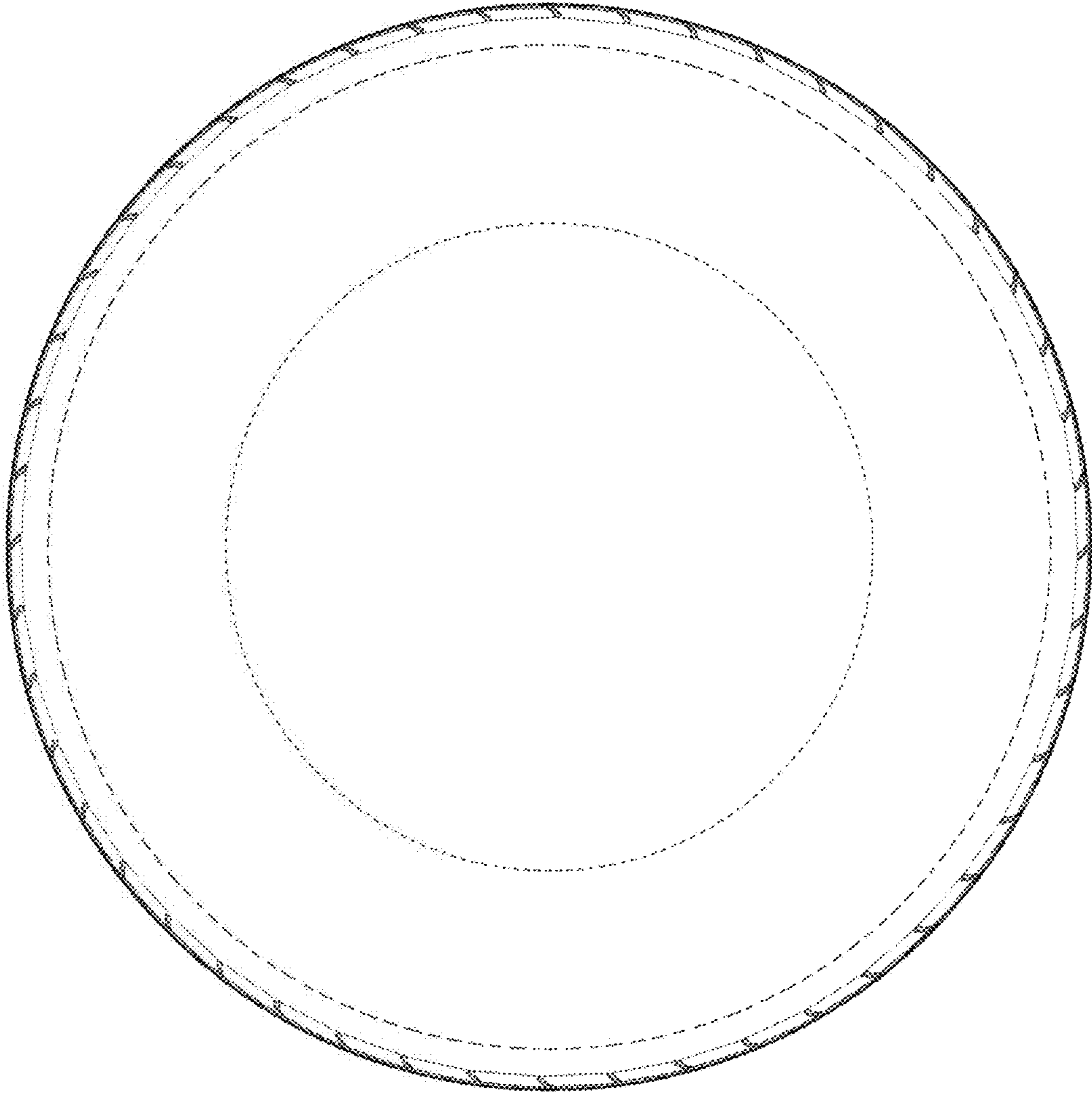


Fig. 3