



US00D736143S

(12) **United States Design Patent**
Rizzo et al.

(10) **Patent No.:** **US D736,143 S**

(45) **Date of Patent:** **** Aug. 11, 2015**

(54) **TYRE TREAD**

(71) Applicant: **BRIDGESTONE CORPORATION**,
Chou-Ku, Tokyo (JP)

(72) Inventors: **Paolo Francesco Rizzo**, Rome (IT);
Mario Sgreccia, Marino (IT); **Adriano**
Tedesco, Montecompatri (IT)

(73) Assignee: **BRIDGESTONE CORPORATION**,
Tokyo (JP)

(**) Term: **14 Years**

(21) Appl. No.: **29/456,222**

(22) Filed: **May 29, 2013**

(30) **Foreign Application Priority Data**

Nov. 30, 2012 (EM) 002145839

(51) **LOC (10) Cl.** **12-15**

(52) **U.S. Cl.**
USPC **D12/536**

(58) **Field of Classification Search**
USPC D12/533-567; 152/209.1-209.28, 455,
152/158, 192

CPC B60C 1/00

See application file for complete search history.

(56) **References Cited**

U.S. PATENT DOCUMENTS

D302,261 S *	7/1989	Kato	D12/563
D307,120 S *	4/1990	Ingley et al.	D12/561
D448,708 S *	10/2001	Shinoda et al.	D12/544
D626,500 S *	11/2010	Fujita	D12/561
D724,009 S *	3/2015	Niwa	D12/565

* cited by examiner

Primary Examiner — George D Kirschbaum

(74) *Attorney, Agent, or Firm* — Sughrue Mion, PLLC

(57) **CLAIM**

The ornamental design for a tyre tread, as shown and described.

DESCRIPTION

FIG. 1 is a perspective view of the tyre tread of the present design, it being understood that the tread pattern is repeated throughout the circumference of the tyre tread;

FIG. 2 is a front view thereof;

FIG. 3 is a top view thereof;

FIG. 4 is a rear view thereof;

FIG. 5 is a left lateral view thereof;

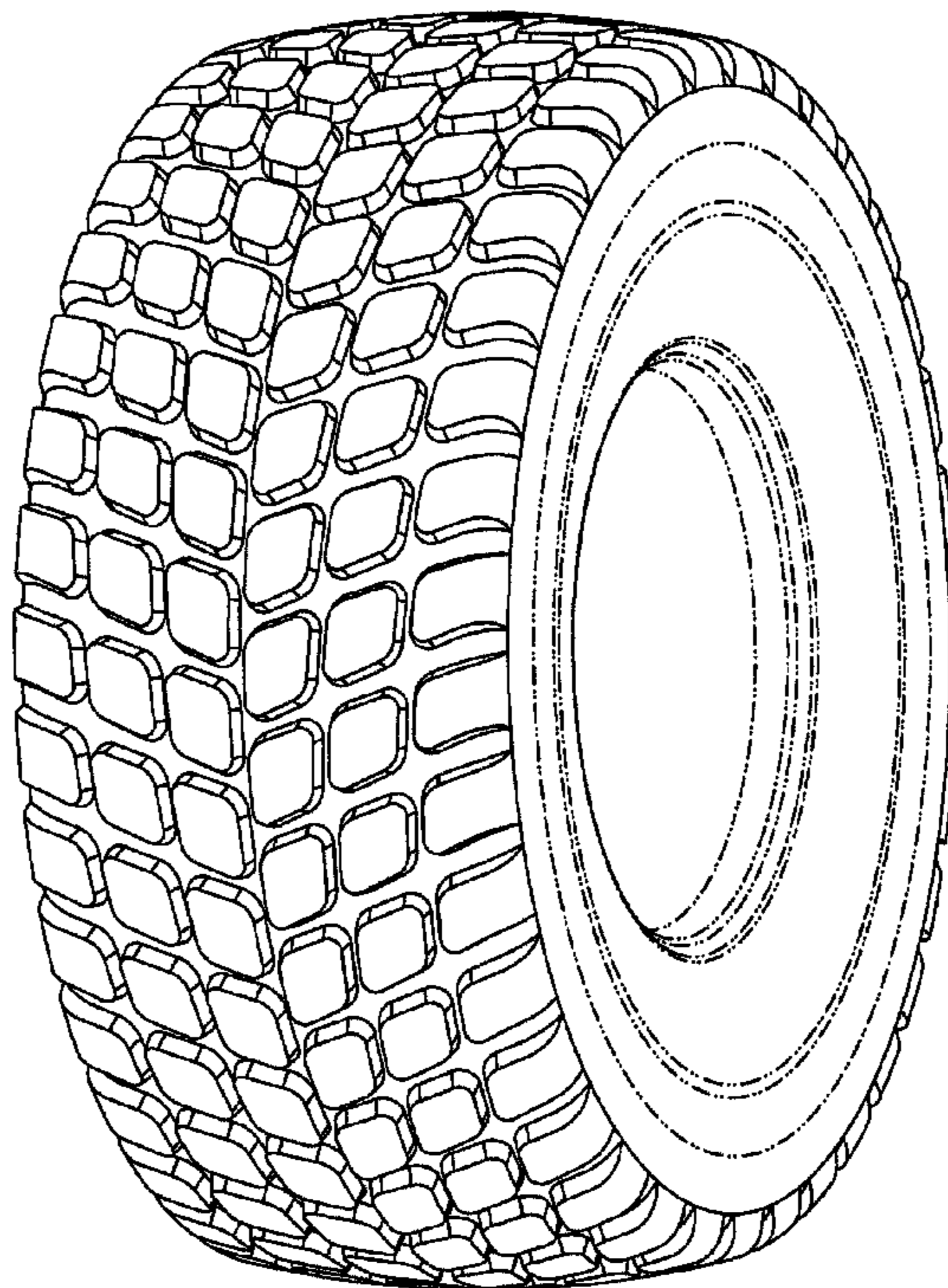
FIG. 6 is a right lateral view thereof;

FIG. 7 is an enlarged fragmentary front view showing the details of the tread portion thereof; and,

FIG. 8 is a bottom view thereof.

The broken lines defining the sidewall, inner bead, and the peripheral boundary between the claimed tyre tread and the sidewall depict environmental subject matter that forms no part of the claimed design.

1 Claim, 8 Drawing Sheets



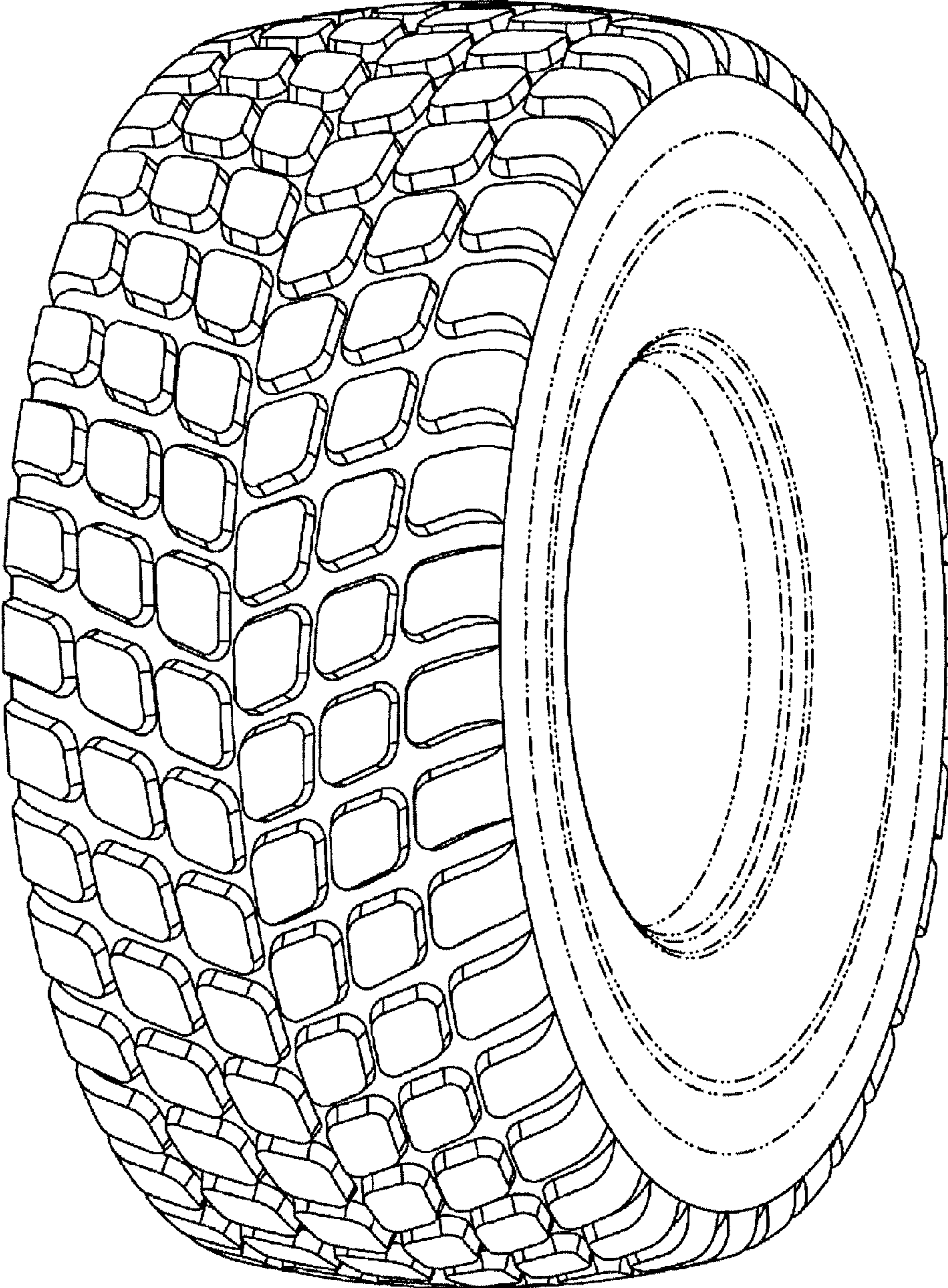


FIG. 1

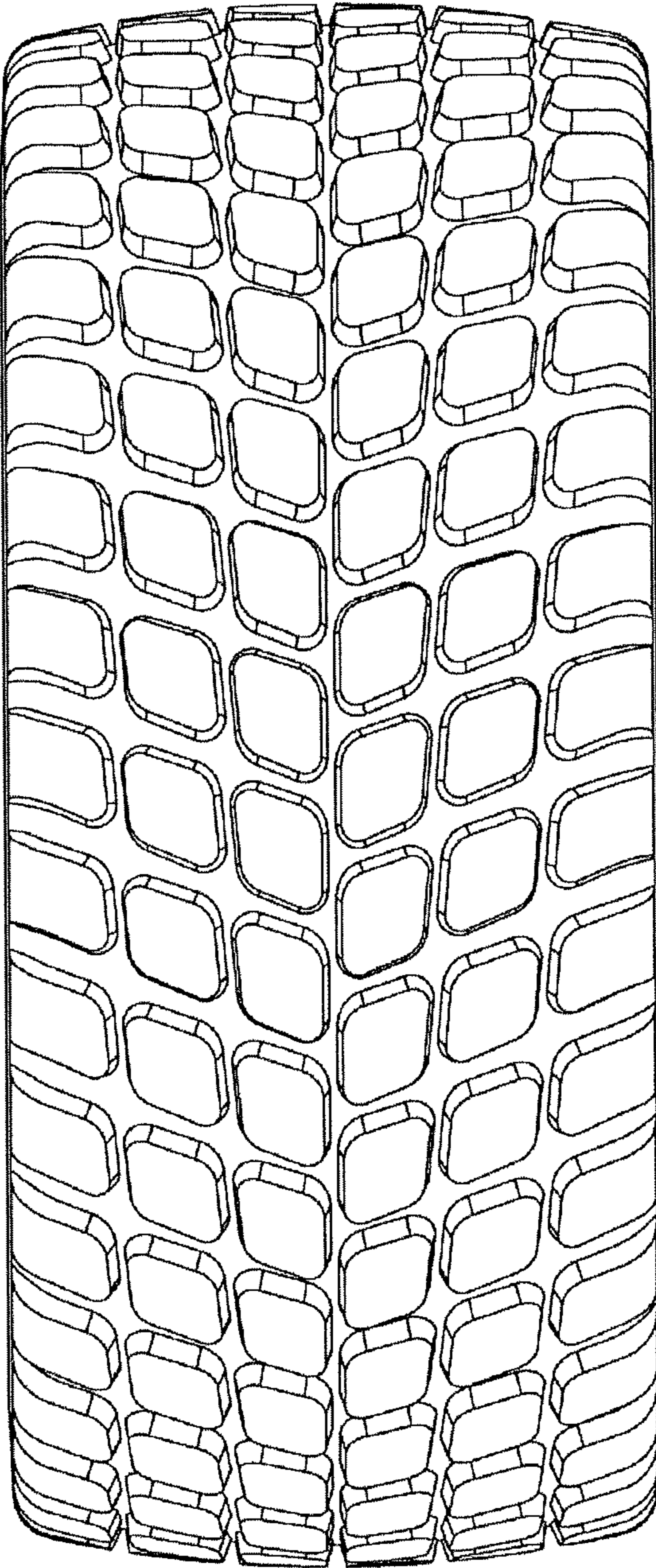


FIG. 2

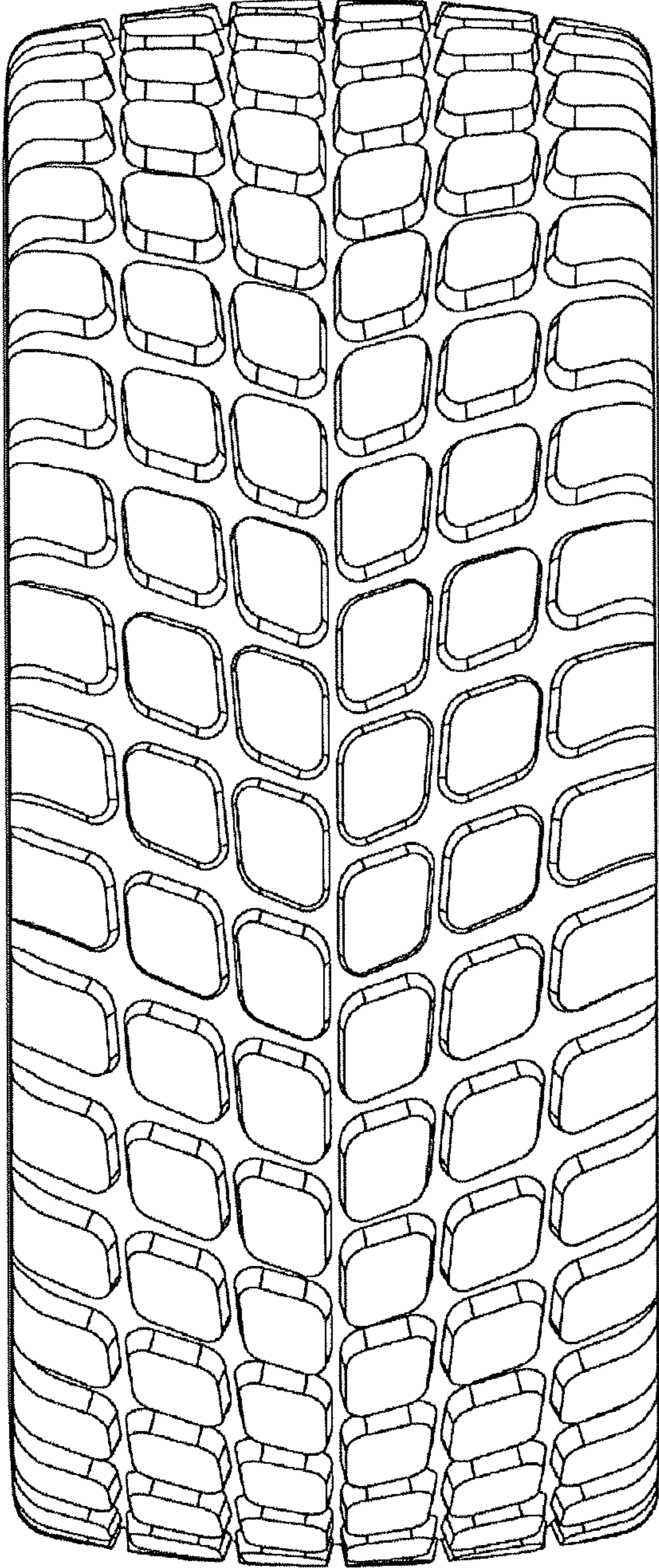


FIG. 3

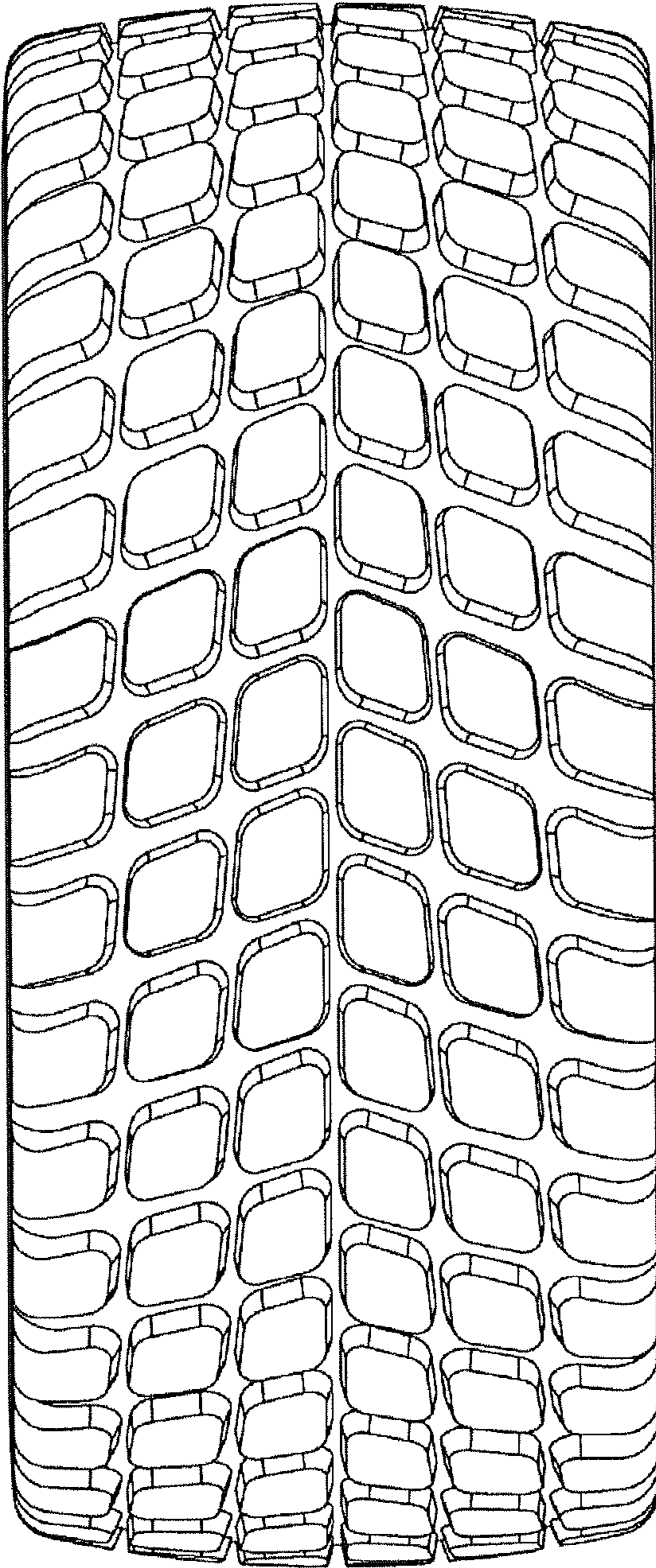


FIG. 4

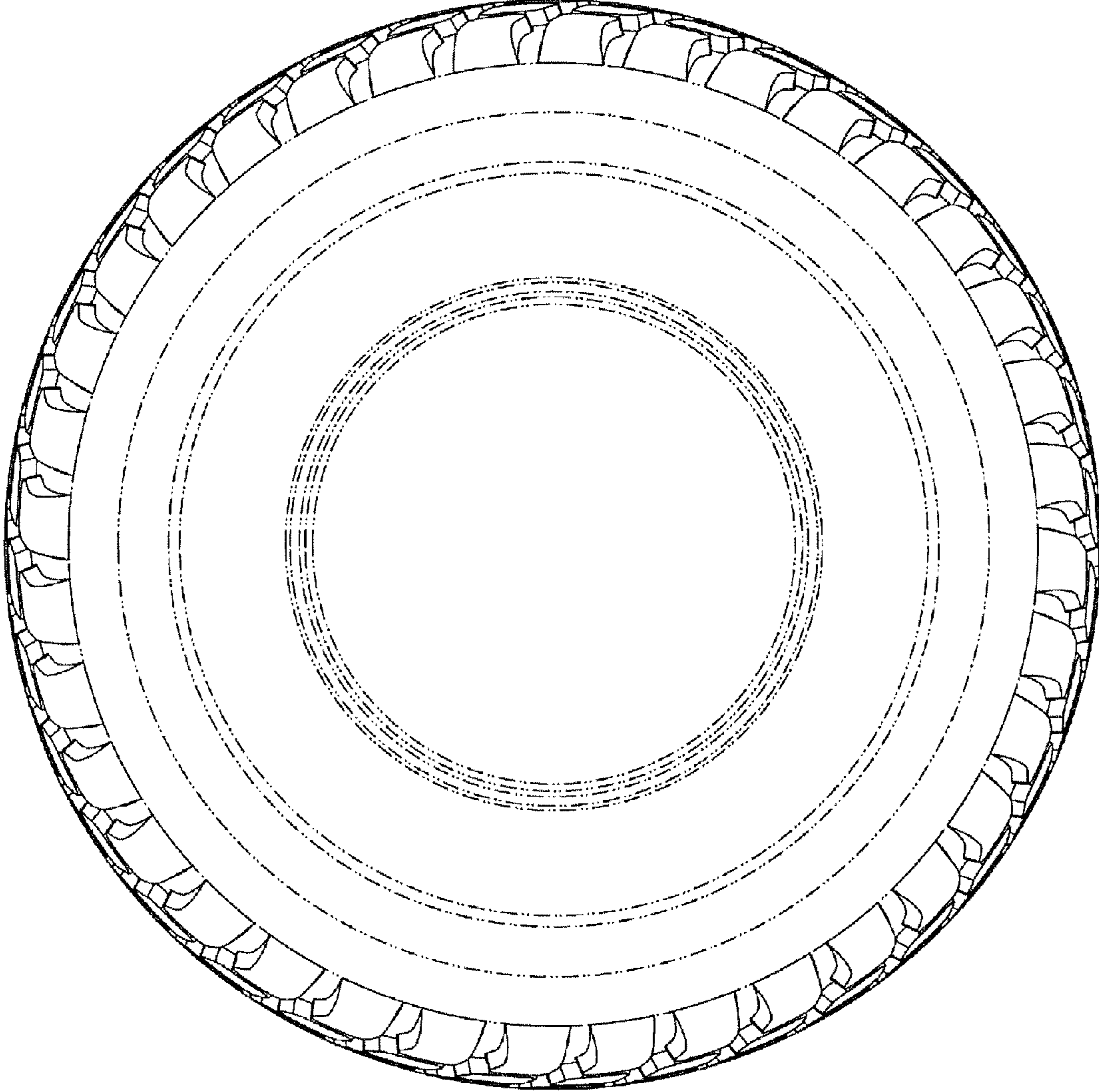


FIG. 5

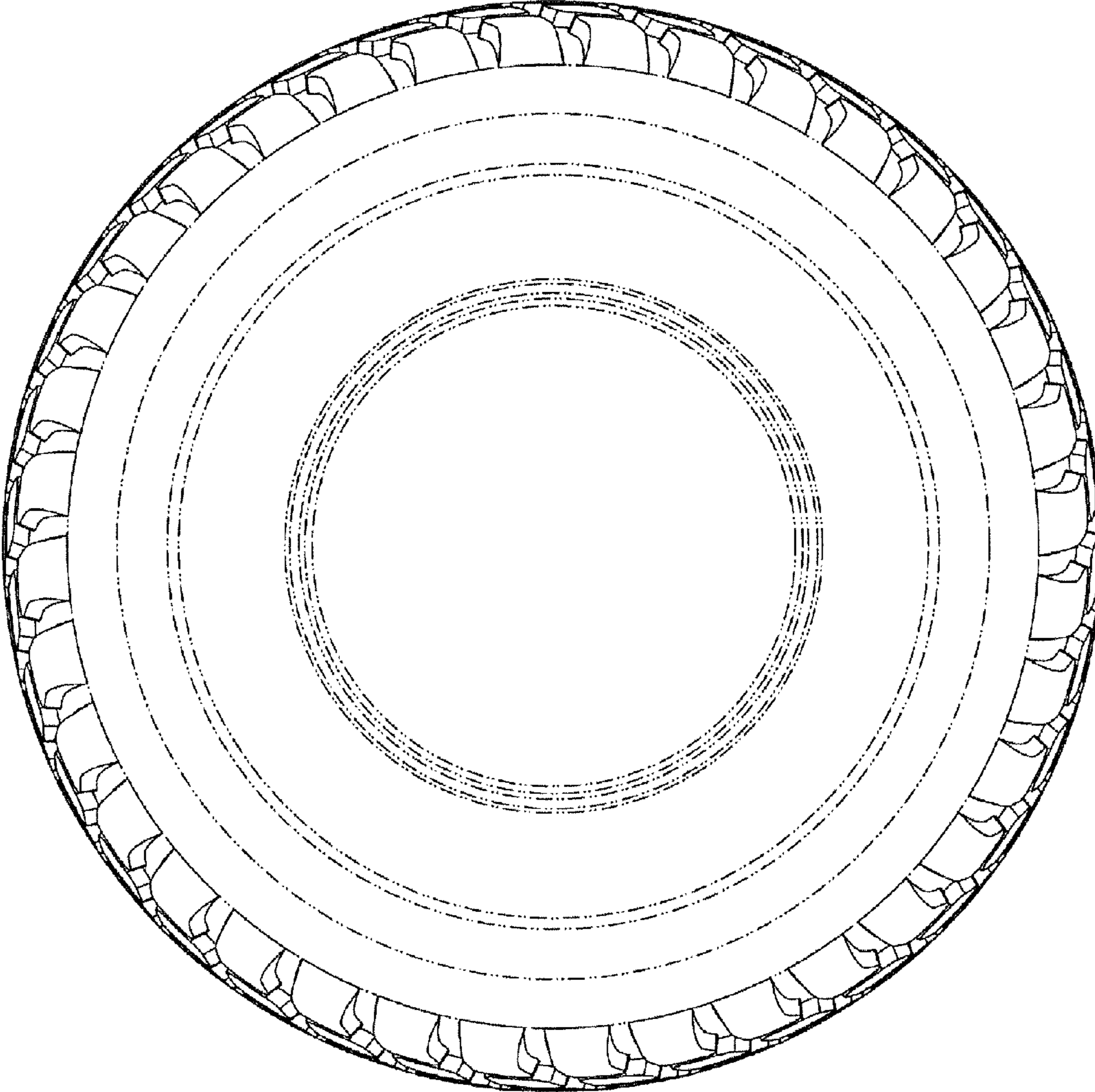


FIG. 6

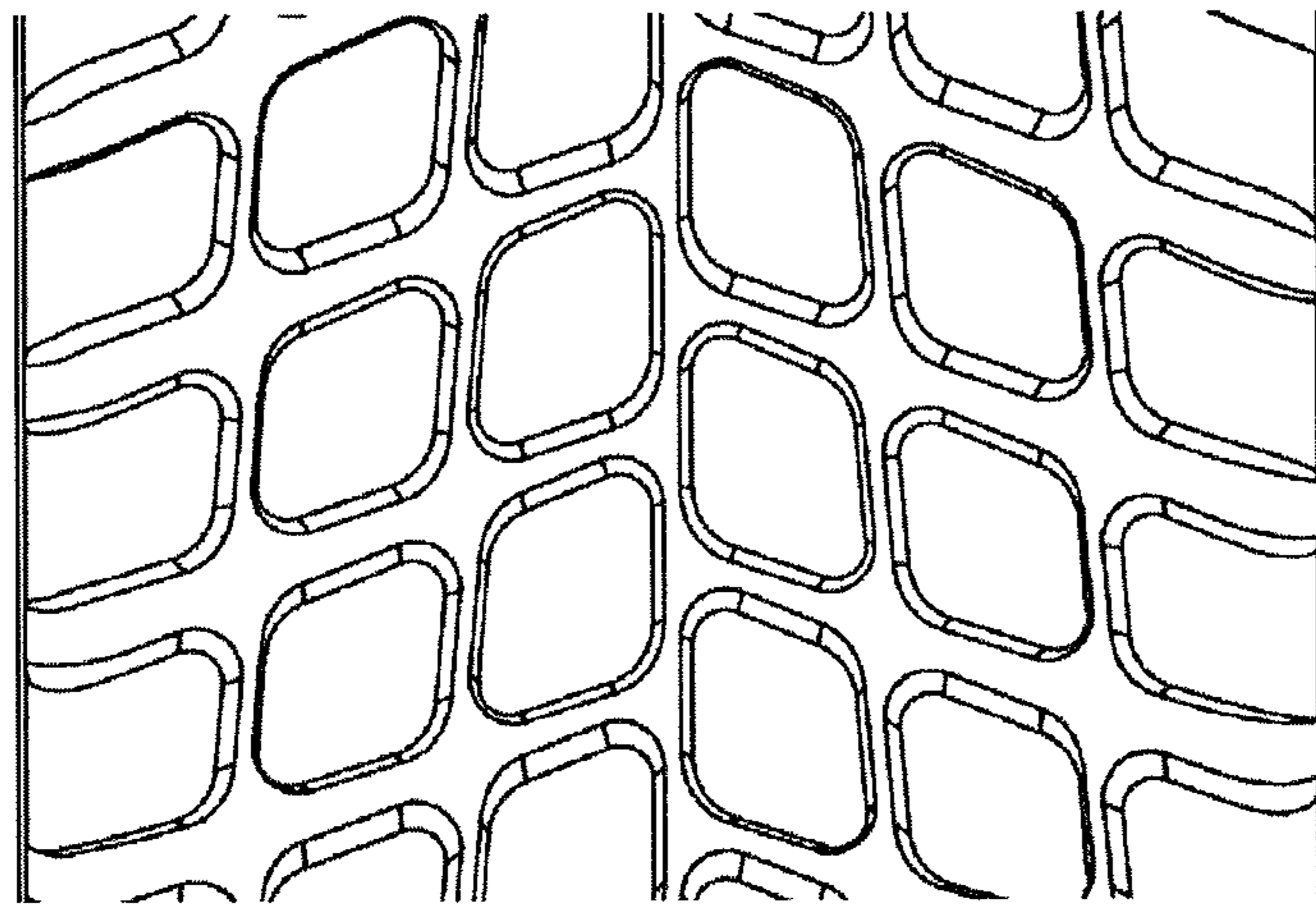


FIG. 7

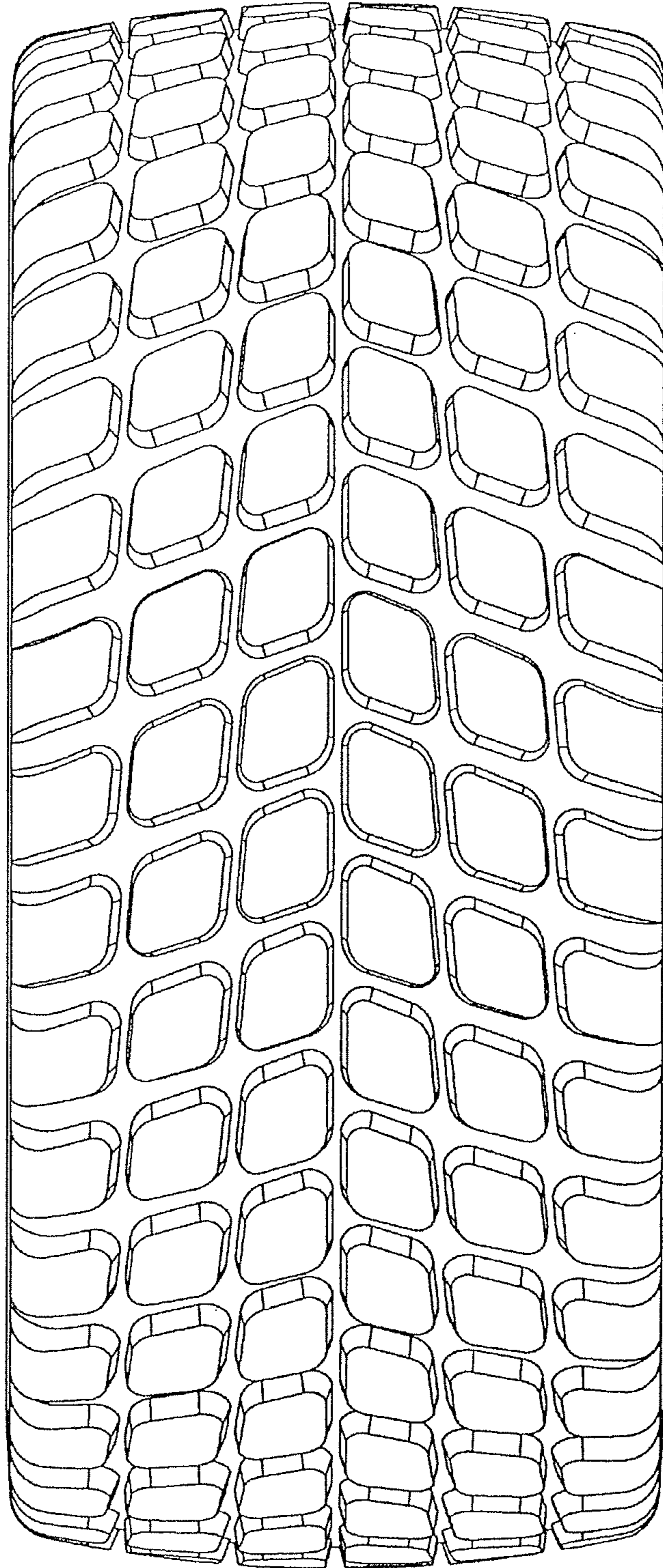


FIG. 8