



US00D736141S

(12) **United States Design Patent**
Sakae

(10) **Patent No.:** **US D736,141 S**

(45) **Date of Patent:** **** Aug. 11, 2015**

(54) **COMPONENT OF FRAME FOR VEHICLE**

(75) Inventor: **Akira Sakae**, Kobe (JP)

(73) Assignee: **Kobe Steel, Ltd.**, Kobe-shi (JP)

(**) Term: **14 Years**

(21) Appl. No.: **29/420,275**

(22) Filed: **May 7, 2012**

(30) **Foreign Application Priority Data**

Nov. 7, 2011 (JP) 2011-025622

(51) **LOC (10) Cl.** **12-16**

(52) **U.S. Cl.**
USPC **D12/400**

(58) **Field of Classification Search**
USPC D12/89, 203, 314, 400; D28/36, 92;
280/5.3, 163, 164.2, 166, 169, 291;
132/53, 201, 216, 218

See application file for complete search history.

(56) **References Cited**

U.S. PATENT DOCUMENTS

- D223,819 S * 6/1972 Edwards D12/400
- D259,341 S * 5/1981 Wang D12/190
- D420,316 S * 2/2000 Hanlon et al. D12/194
- D425,002 S * 5/2000 Elwell et al. D12/190
- D484,080 S * 12/2003 Yamamoto et al. D12/190
- D636,314 S * 4/2011 Wang D12/190
- D636,787 S * 4/2011 Luxon et al. D12/400
- D638,446 S * 5/2011 Luxon et al. D12/400

- D651,140 S * 12/2011 Greger et al. D12/133
- D651,964 S 1/2012 Sakae et al.
- 2006/0196462 A1* 9/2006 Quezada 123/184.21

FOREIGN PATENT DOCUMENTS

JP 1402272 11/2010

OTHER PUBLICATIONS

Design U.S. Appl. No. D. 651,964, filed Jan. 10, 2012, Sakae, et al.
U.S. Appl. No. 29/420,268, May 7, 2012, Sakae, et al.
U.S. Appl. No. 29/429,678, filed Aug. 15, 2012, Sakae.

* cited by examiner

Primary Examiner — Deanna L Pratt

Assistant Examiner — Natasha Vujcic

(74) *Attorney, Agent, or Firm* — Oblon, McClelland, Maier & Neustadt, L.L.P.

(57) **CLAIM**

The ornamental design for a component of frame for vehicle, as shown and described.

DESCRIPTION

FIG. 1 is a perspective view of a component of frame for vehicle;

FIG. 2 is a front view thereof, the opposite side being a mirror image of the side shown herein;

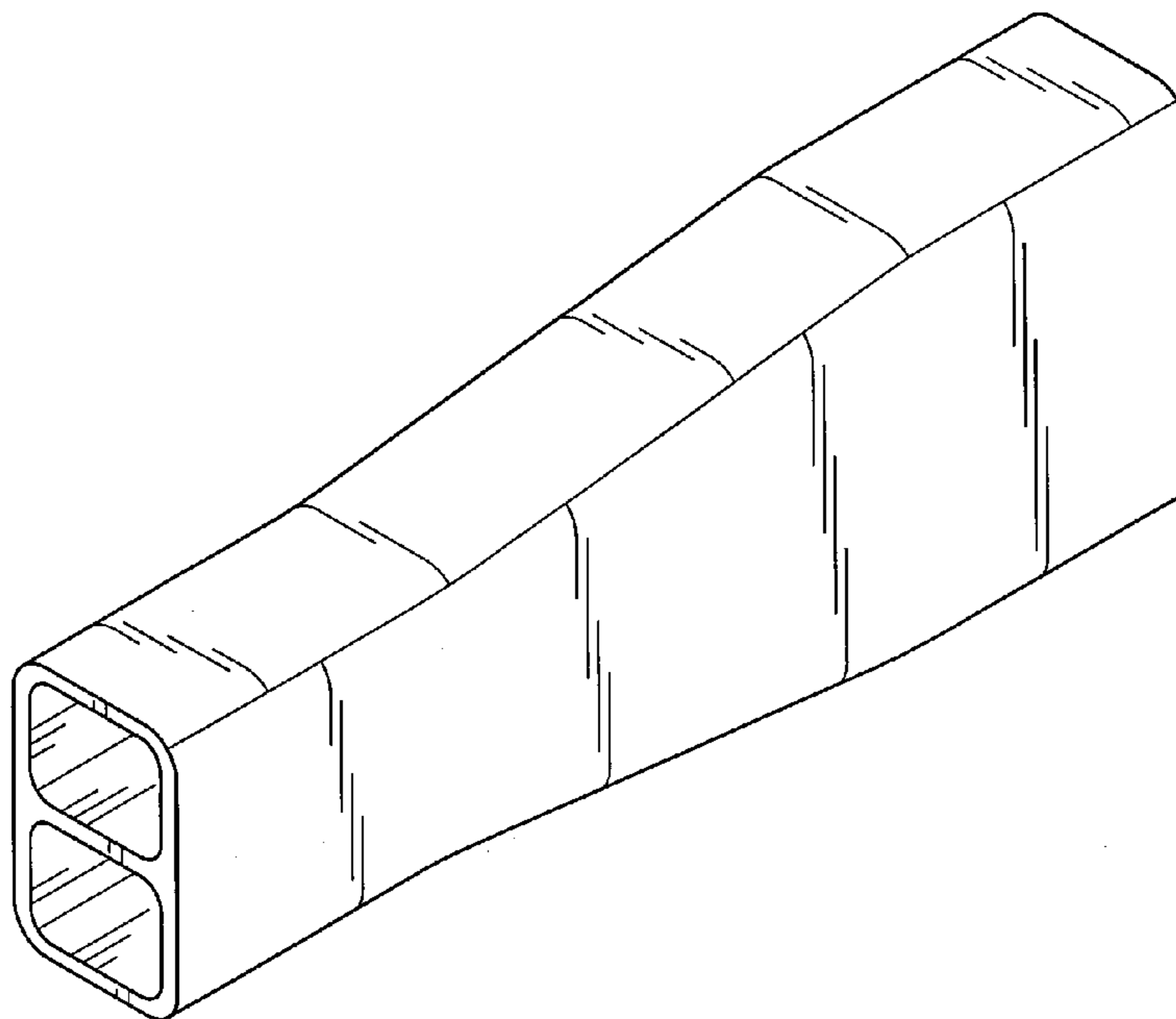
FIG. 3 is a left side view thereof;

FIG. 4 is a right side view thereof;

FIG. 5 is a top view thereof, the opposite side being an identical image of the side shown herein; and,

FIG. 6 is a cross-sectional view taken along line 6-6 in FIG. 3 thereof.

1 Claim, 3 Drawing Sheets



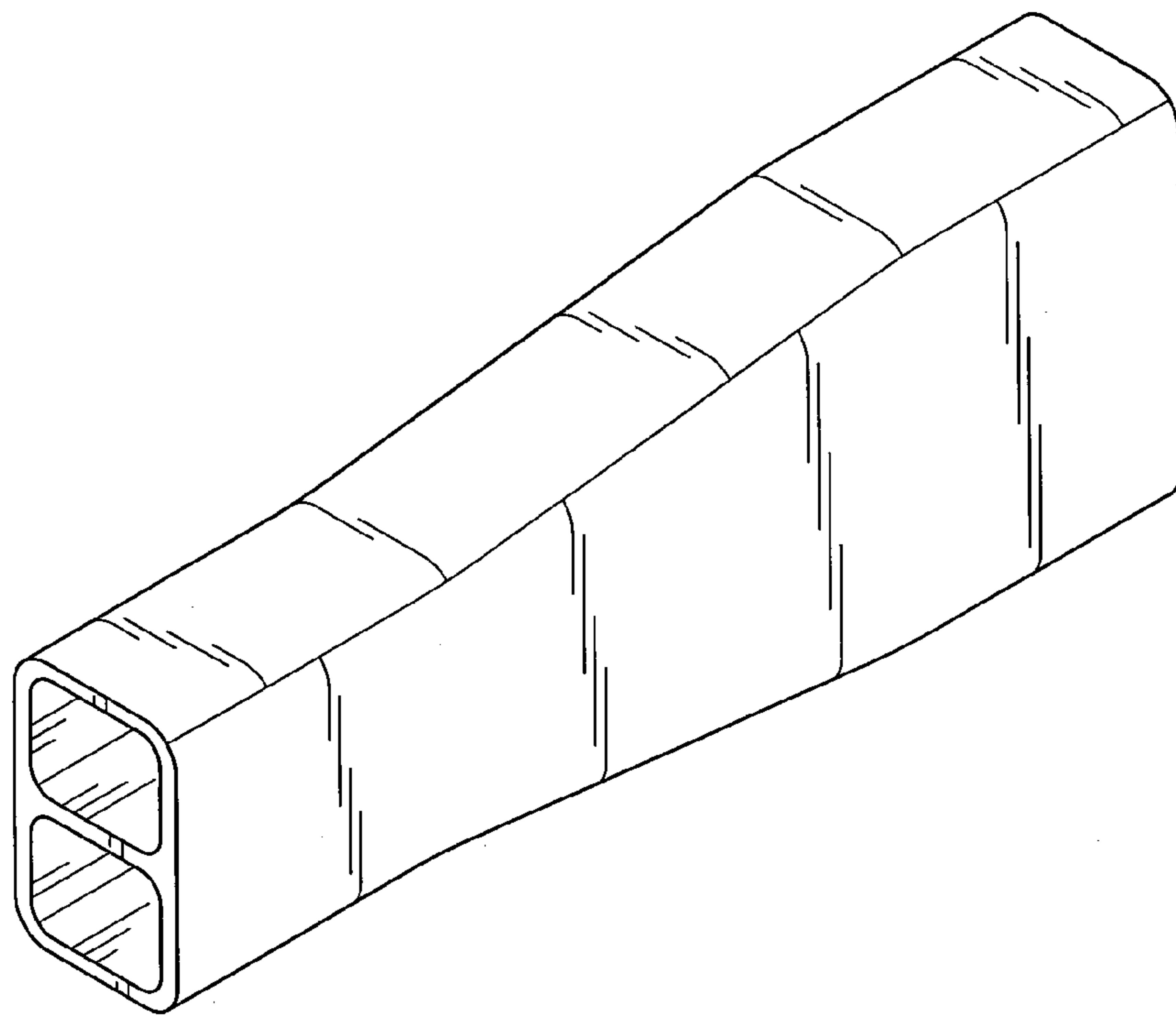


FIG. 1

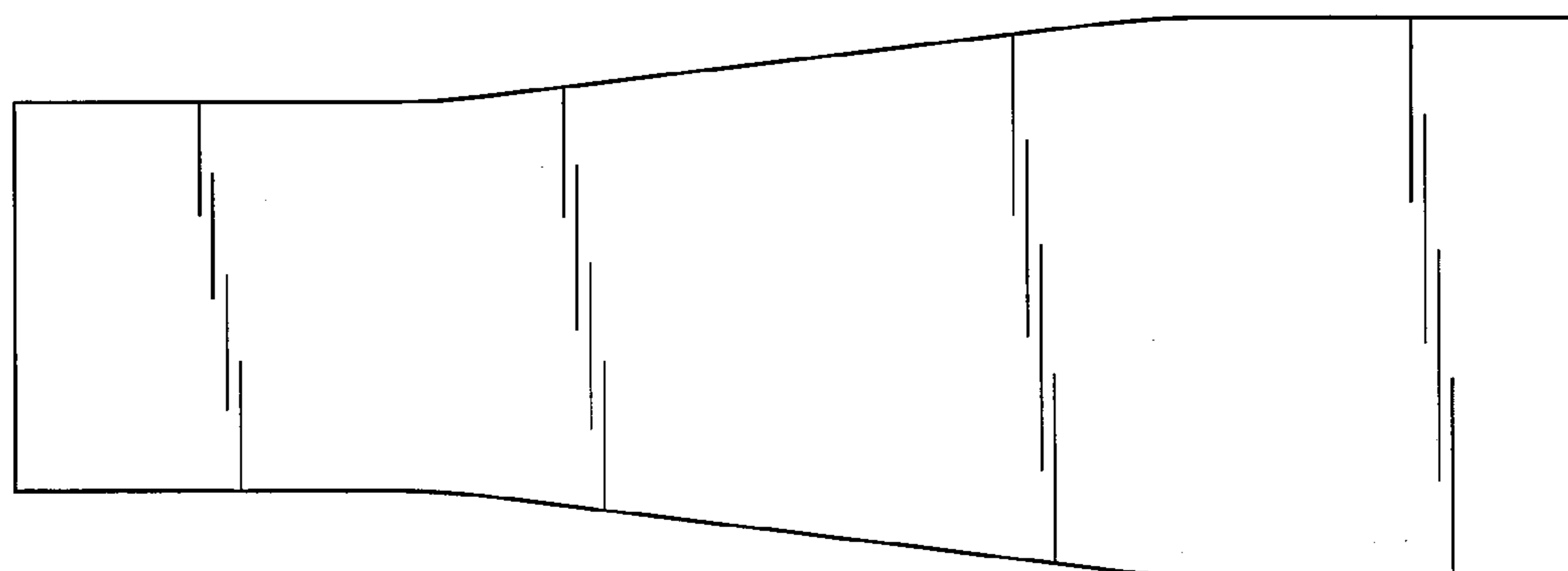


FIG. 2

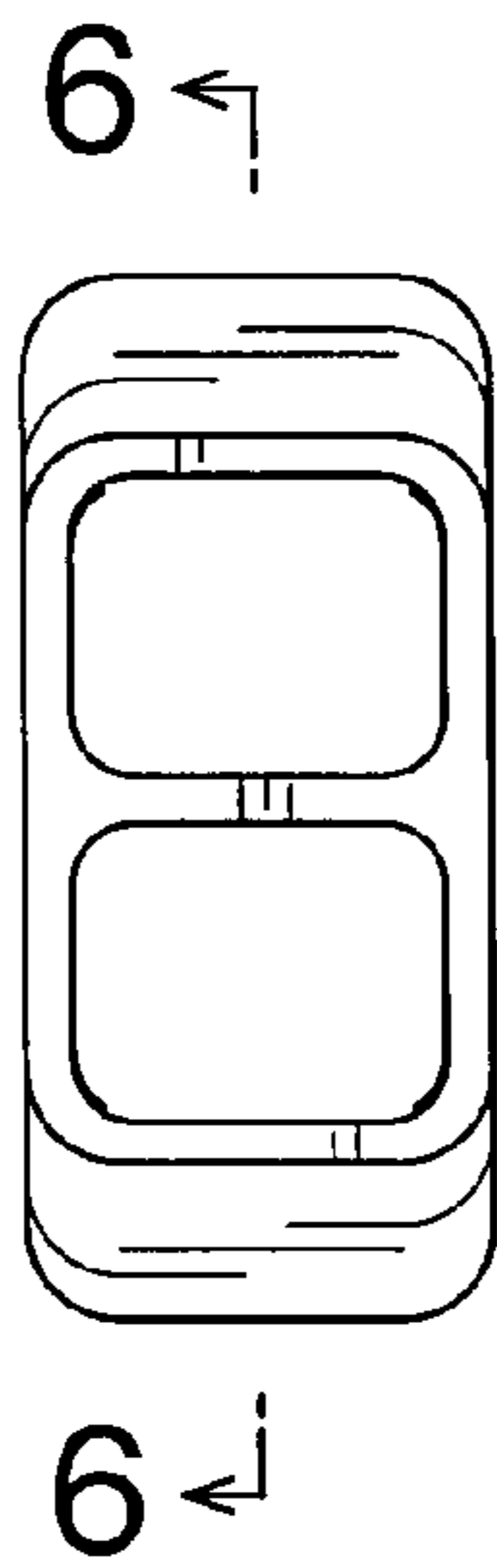


FIG.3

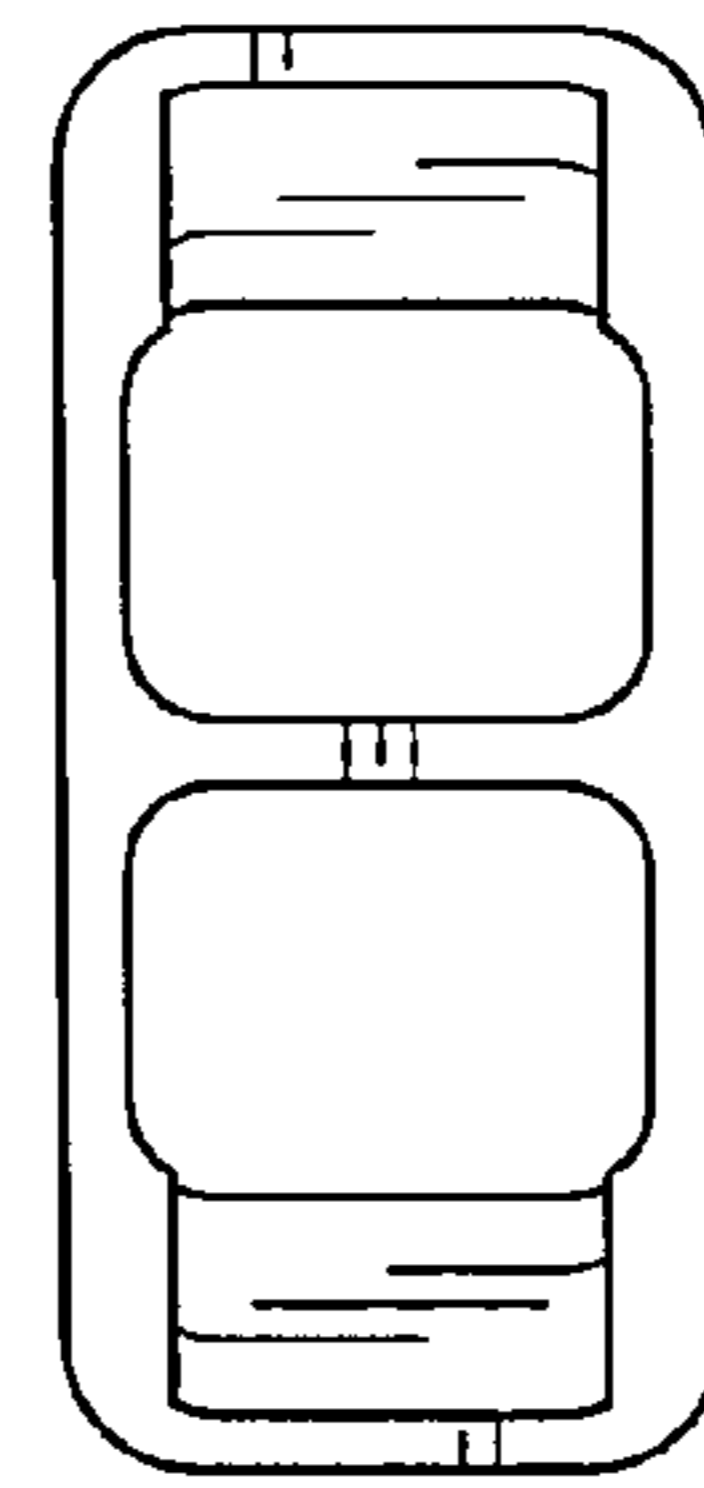


FIG.4



FIG.5

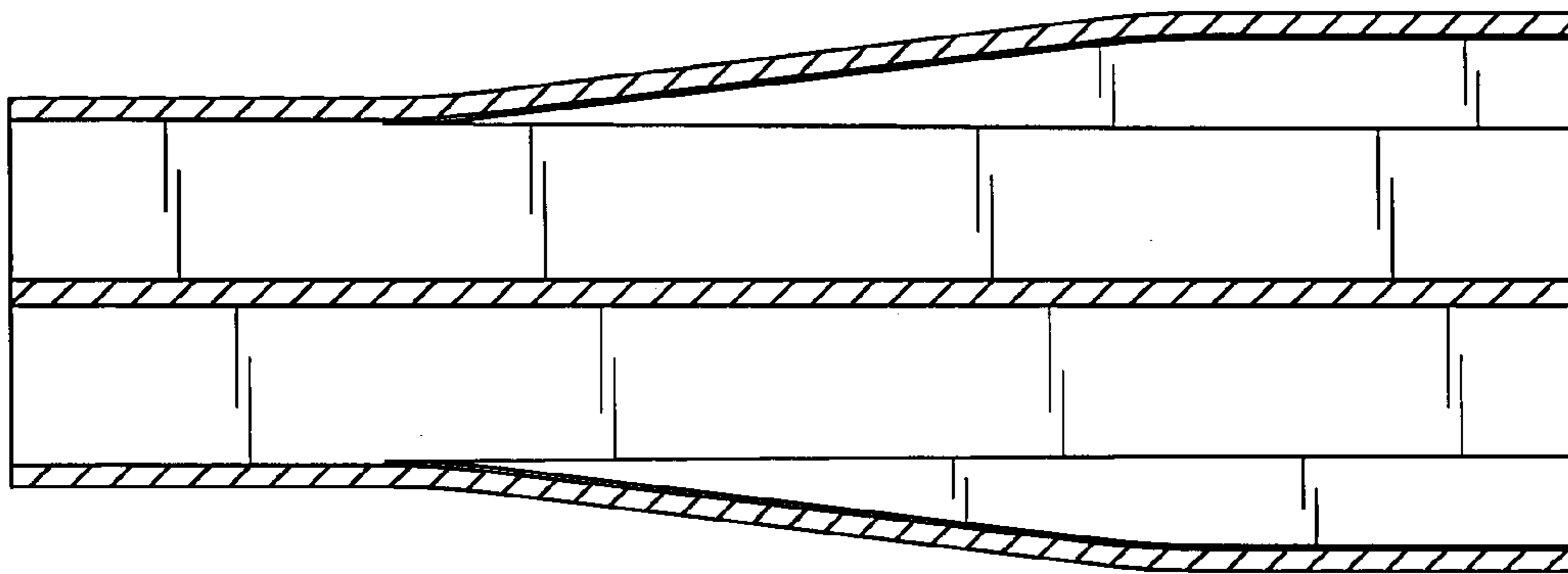


FIG.6