



US00D736131S

(12) **United States Design Patent**  
**Mahoney et al.**

(10) **Patent No.:** **US D736,131 S**

(45) **Date of Patent:** **\*\* Aug. 11, 2015**

(54) **VEHICLE WHEEL**

(71) Applicant: **Ford Motor Company**, Dearborn, MI (US)

(72) Inventors: **David Mahoney**, Orchard Lake, MI (US); **Jesse Diephuis**, West Bloomfield, MI (US)

(73) Assignee: **Ford Motor Company**, Dearborn, MI (US)

(\*\*) Term: **14 Years**

(21) Appl. No.: **29/511,849**

(22) Filed: **Dec. 15, 2014**

(51) **LOC (10) Cl.** ..... **12-16**

(52) **U.S. Cl.**  
USPC ..... **D12/209**

(58) **Field of Classification Search**  
USPC ..... D12/204–213  
CPC ..... B60B 7/00; B60B 7/02; B60B 7/04;  
B60B 7/01; B60B 7/06; B60B 3/02; B60B 3/04;  
B60B 3/06; B60B 3/10; B60B 1/00;  
B60B 1/08; B60B 1/10; B60B 1/12  
See application file for complete search history.

(56) **References Cited**

U.S. PATENT DOCUMENTS

D579,846 S *	11/2008	Chung	.....	D12/209
D655,659 S *	3/2012	Schweizer	.....	D12/209
D657,298 S *	4/2012	Lee	.....	D12/211
D682,763 S *	5/2013	Song et al.	.....	D12/211
D683,685 S *	6/2013	Pollmann	.....	D12/211
D686,964 S *	7/2013	Baum et al.	.....	D12/211
D696,177 S *	12/2013	Juergens et al.	.....	D12/209
D718,696 S *	12/2014	Gotschke et al.	.....	D12/209
D720,677 S *	1/2015	Diephuis et al.	.....	D12/209
D724,513 S *	3/2015	Wolff et al.	.....	D12/209
D724,516 S *	3/2015	Di Buduo et al.	.....	D12/211

\* cited by examiner

*Primary Examiner* — Stacia Cadmus

(74) *Attorney, Agent, or Firm* — Damian Porcari

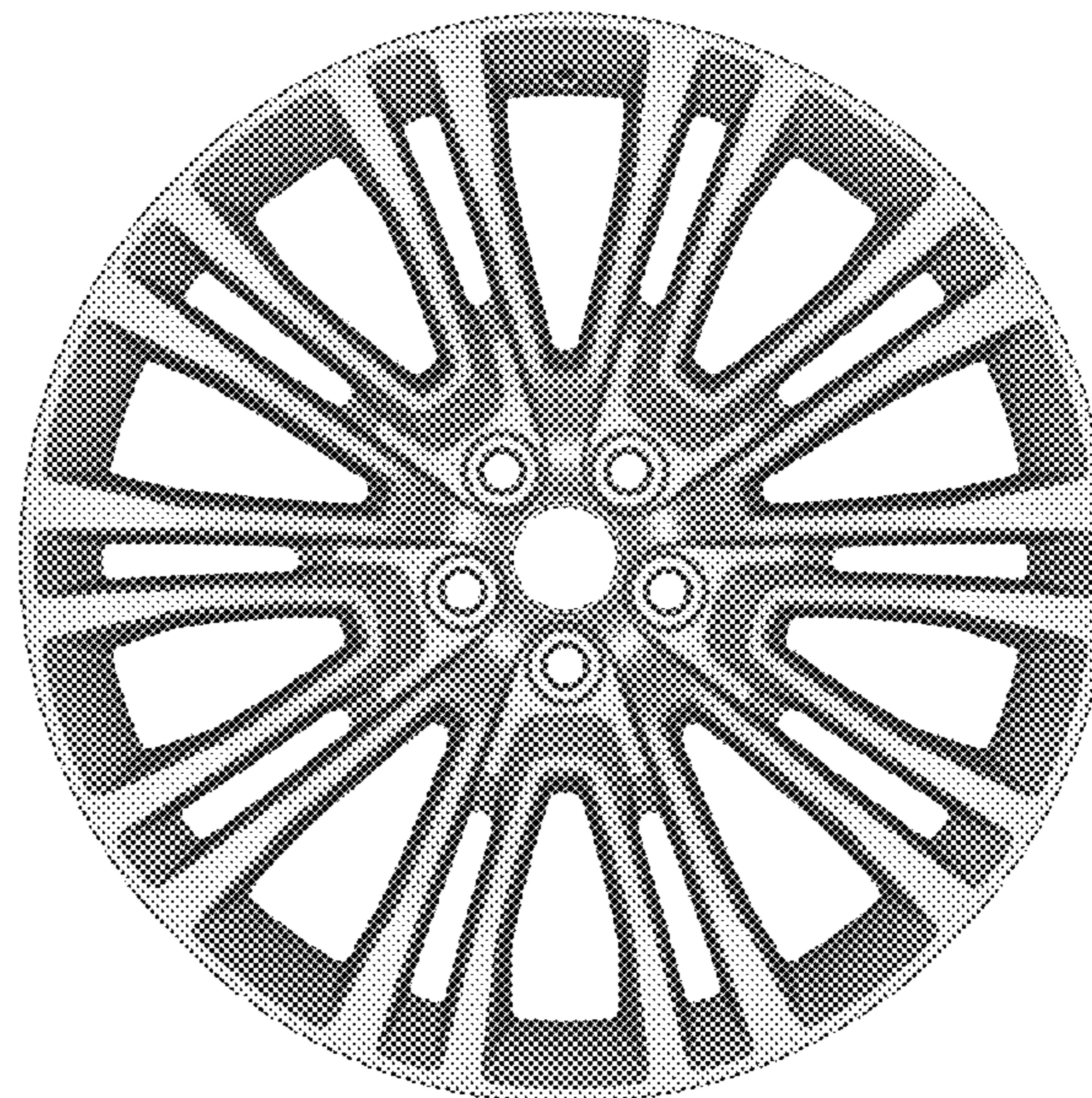
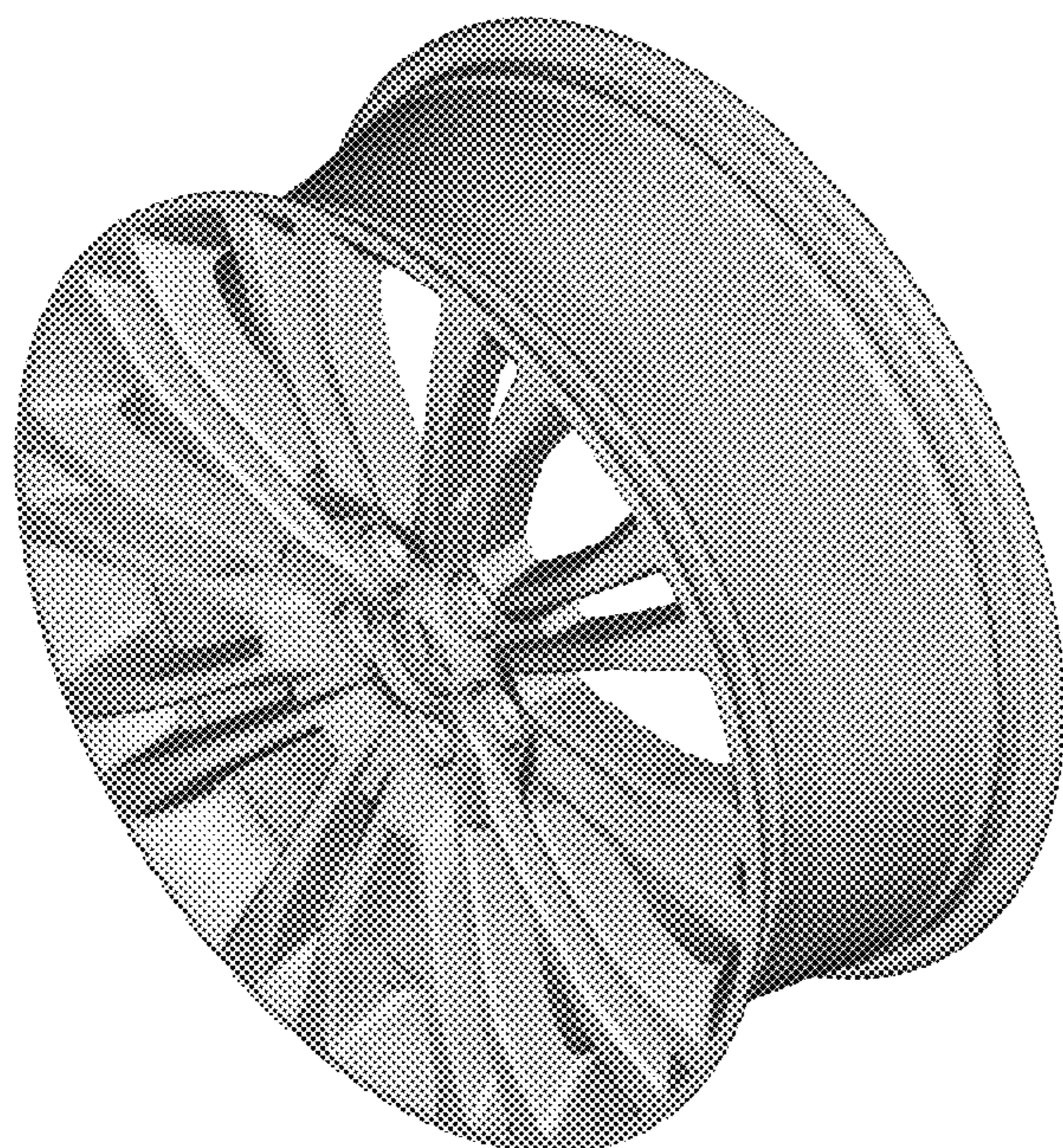
(57) **CLAIM**

The ornamental design for a vehicle wheel, as shown and described.

**DESCRIPTION**

FIG. 1 is a perspective view of a vehicle wheel; and, FIG. 2 is a front view thereof.

**1 Claim, 2 Drawing Sheets**





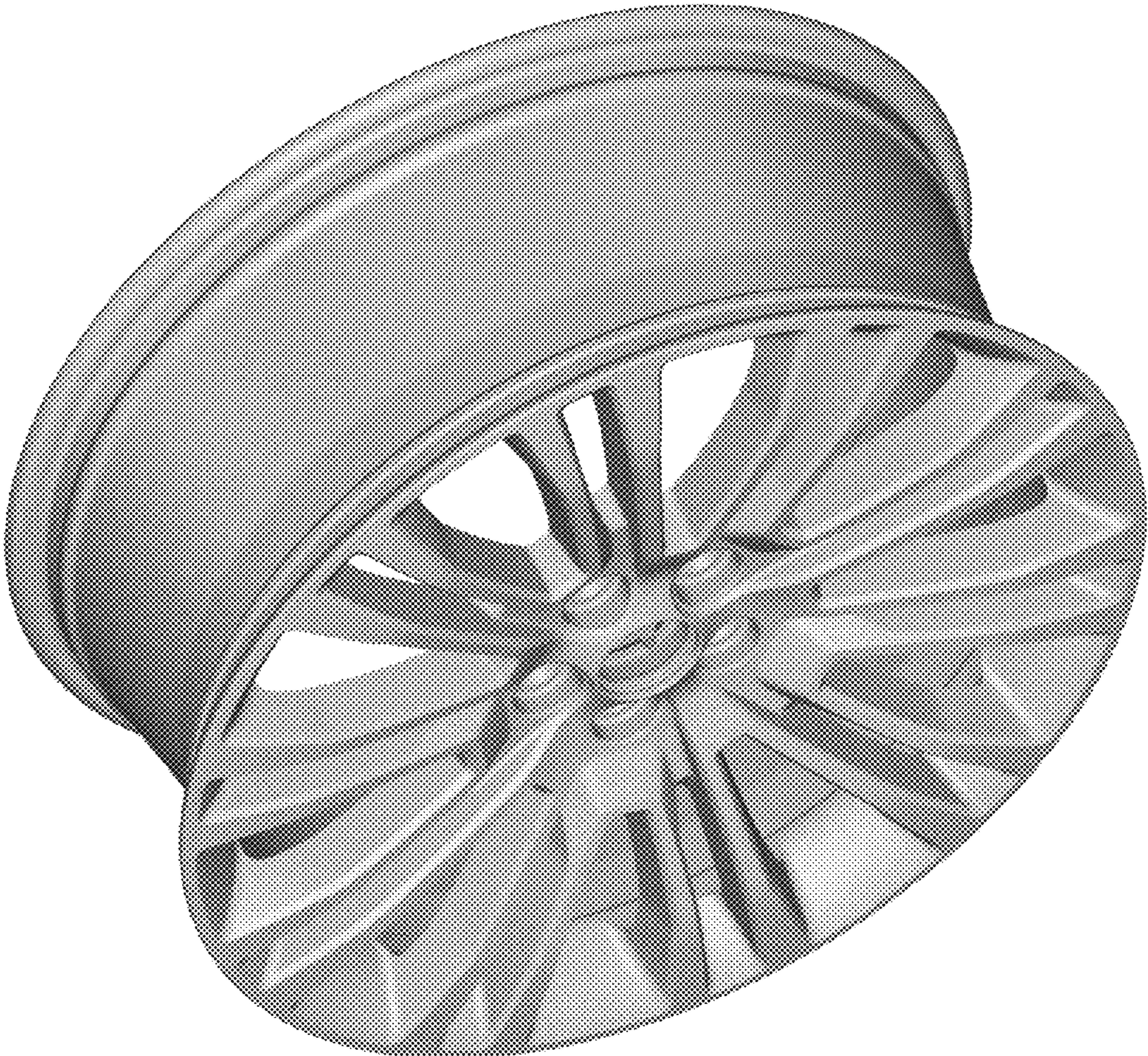


Figure 1





Figure 2