



US00D736129S

(12) **United States Design Patent**  
**Fretz et al.**

(10) **Patent No.:** **US D736,129 S**

(45) **Date of Patent:** **\*\* Aug. 11, 2015**

(54) **DRIVE FLANGE CAP**

(71) Applicant: **Warn Industries, Inc.**, Clackamas, OR (US)

(72) Inventors: **Darren G. Fretz**, Canby, OR (US);  
**Mitchell R. Lawson**, Perrysburg, OH (US)

(73) Assignee: **Warn Industries, Inc.**, Clackamas, OR (US)

(\*\*) Term: **14 Years**

(21) Appl. No.: **29/448,702**

(22) Filed: **Mar. 13, 2013**

(51) **LOC (10) CL.** ..... **12-16**

(52) **U.S. CL.**  
USPC ..... **D12/207**

(58) **Field of Classification Search**

USPC ..... D12/204–213; D3/318; D7/387, 391,  
D7/392.1

CPC ..... B60B 7/00; B60B 7/02; B60B 7/04;  
B60B 7/01; B60B 7/06; B60B 3/02; B60B  
3/04; B60B 3/06; B60B 3/10; B60B 1/00;  
B60B 1/08; B60B 1/10; B60B 1/12

See application file for complete search history.

(56) **References Cited**

**U.S. PATENT DOCUMENTS**

D248,748 S *	8/1978	Siroonian	.....	D12/207
D442,904 S *	5/2001	Herrera	.....	D12/207
D445,077 S *	7/2001	Lovitt, Jr.	.....	D12/207
D498,447 S *	11/2004	Kato	.....	D12/207
D500,976 S *	1/2005	Baker	.....	D12/207
D566,028 S *	4/2008	Wright et al.	.....	D12/207
D629,731 S *	12/2010	Wang	.....	D12/207
D659,624 S *	5/2012	Farradas	.....	D12/207

**OTHER PUBLICATIONS**

Warn Industries, Inc., “Warn 1979 Dealer Catalog, Off-Road Accessories Built for the Long Run”, Available as early as Jan. 1, 1979, 5 pages.

Warn Industries, Inc., “Warn Catalog 1993”, Available as early as Jan. 1, 1993, 7 pages.

Warn Industries, Inc., “2005-06 Product Guide”, Available as early as Jan. 1, 2005, 4 pages.

\* cited by examiner

*Primary Examiner* — Stacia Cadmus

(74) *Attorney, Agent, or Firm* — Alleman Hall McCoy Russell & Tuttle LLP

(57) **CLAIM**

The ornamental design for a drive flange cap, as shown and described.

**DESCRIPTION**

FIG. 1 is a front perspective view of a drive flange cap, showing our new design;

FIG. 2 is a front view thereof;

FIG. 3 is a side view thereof, it being understood that the opposite side is a mirror image thereof;

FIG. 4 is a front perspective view of a second embodiment of a drive flange cap, showing our new design;

FIG. 5 is a front view of FIG. 4;

FIG. 6 is a side view of FIG. 4, it being understood that the opposite side is a mirror image thereof;

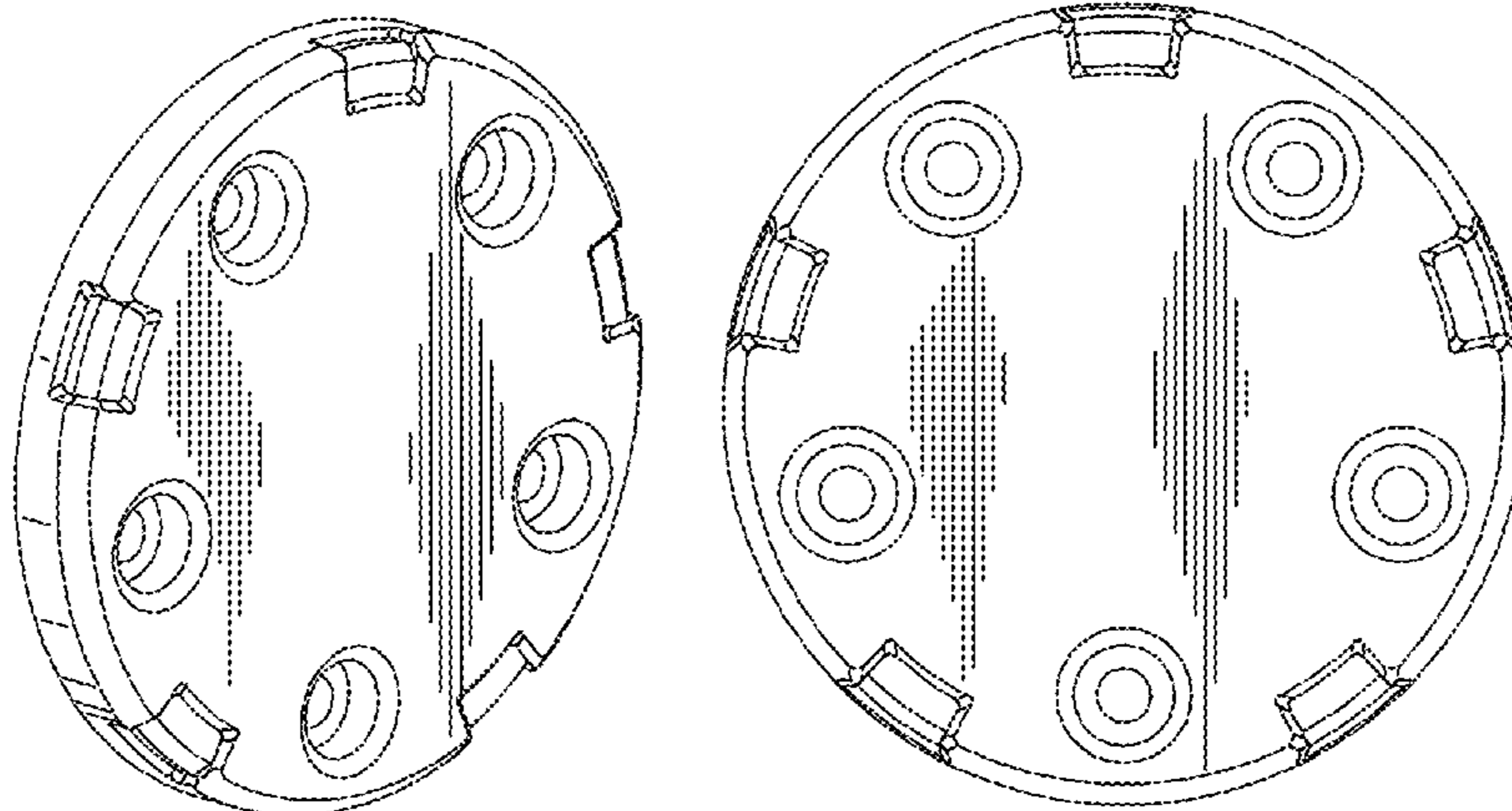
FIG. 7 is a front perspective view of a third embodiment of a drive flange cap, showing our new design;

FIG. 8 is a front view of FIG. 7; and,

FIG. 9 is a side view of FIG. 7, it being understood that the opposite side is a mirror image thereof.

The broken line showing of the side portion of the drive flange cap in FIGS. 3, 6 and 9 is included for the purpose of illustrating environment and forms no part of the claimed design.

**1 Claim, 3 Drawing Sheets**



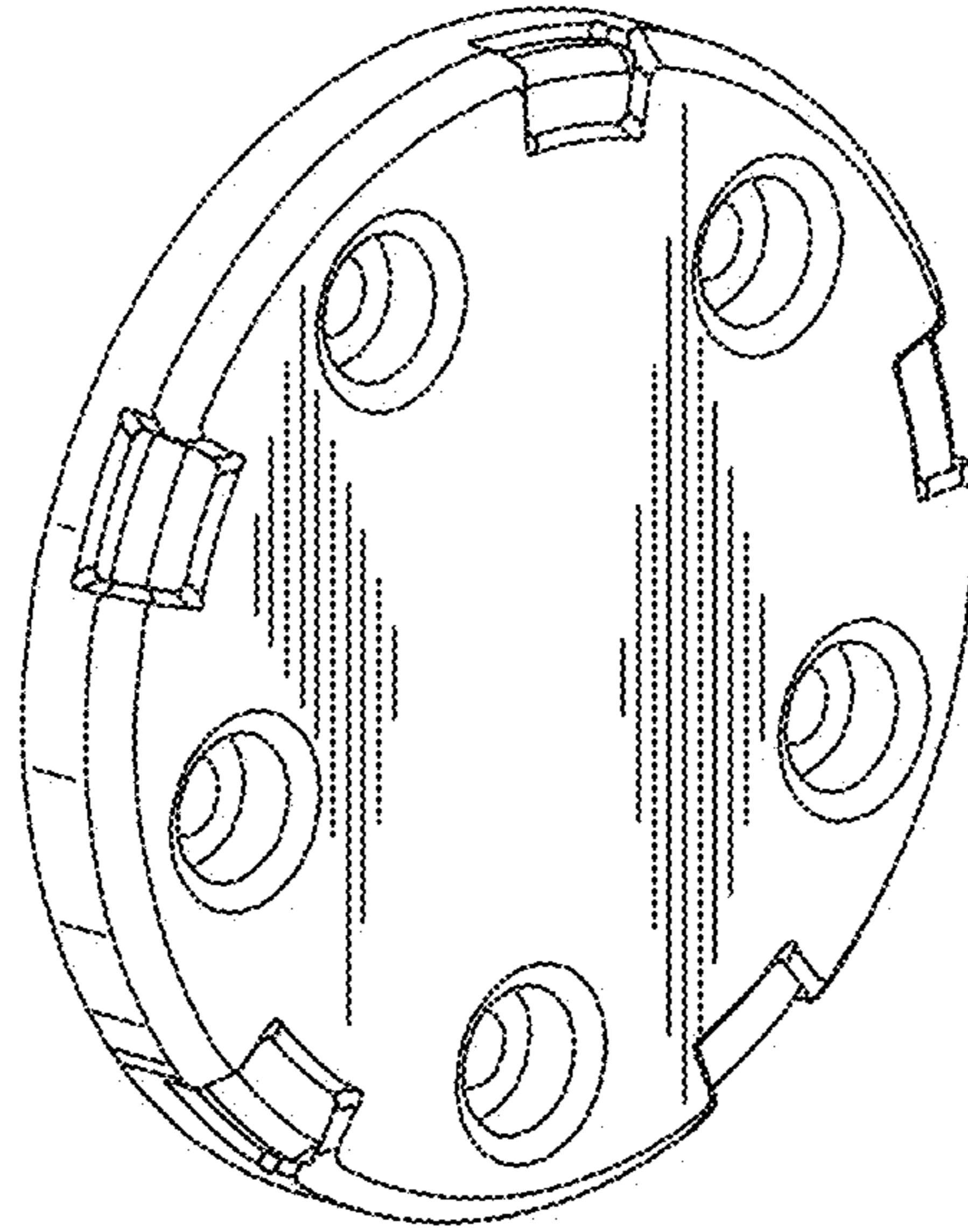


FIG 1

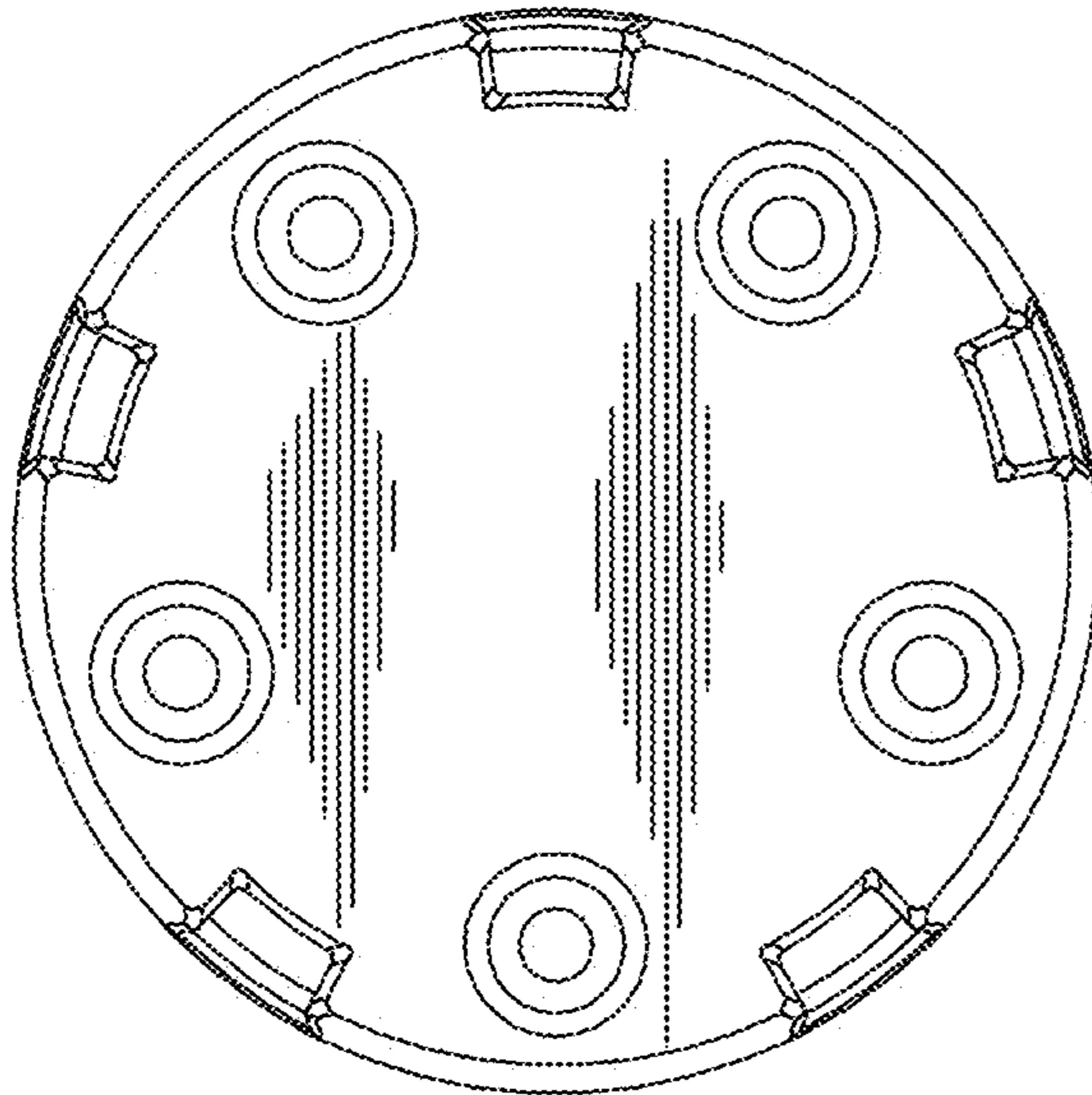


FIG 2

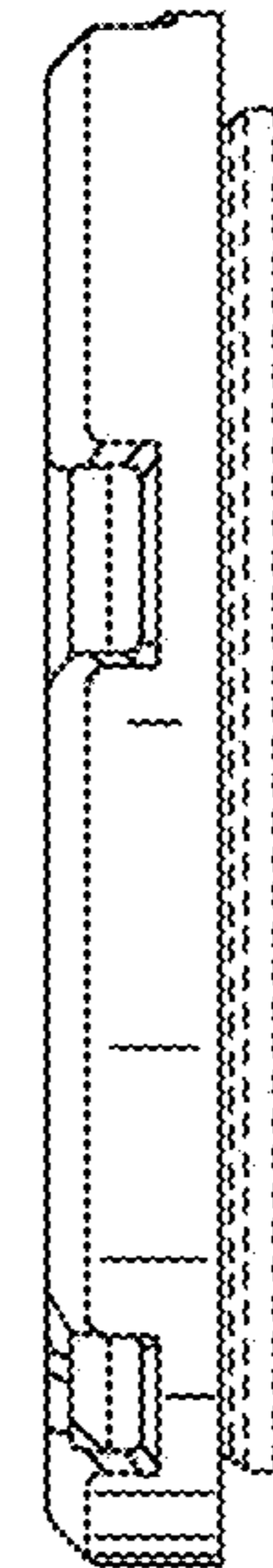


FIG 3

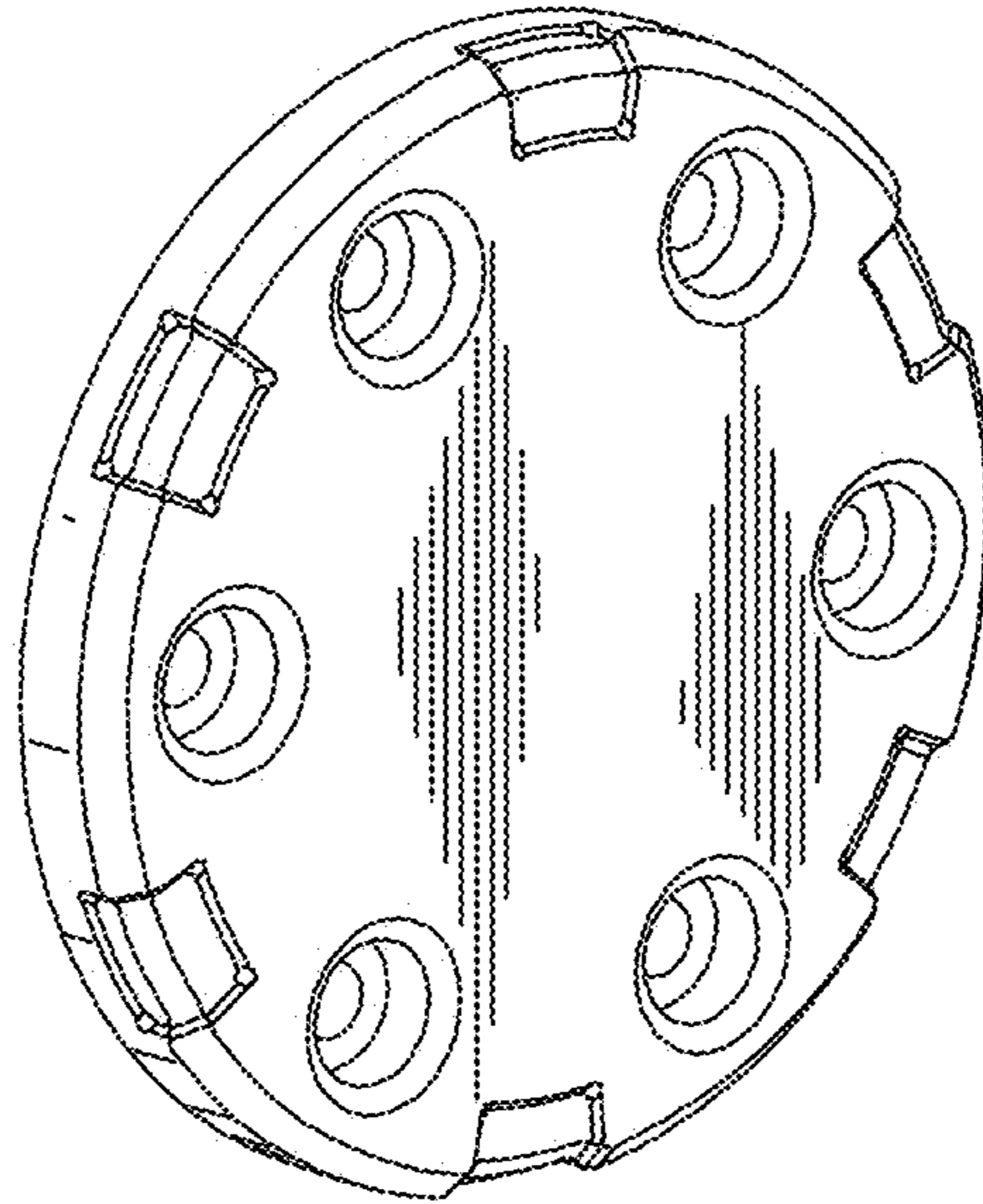


FIG 4

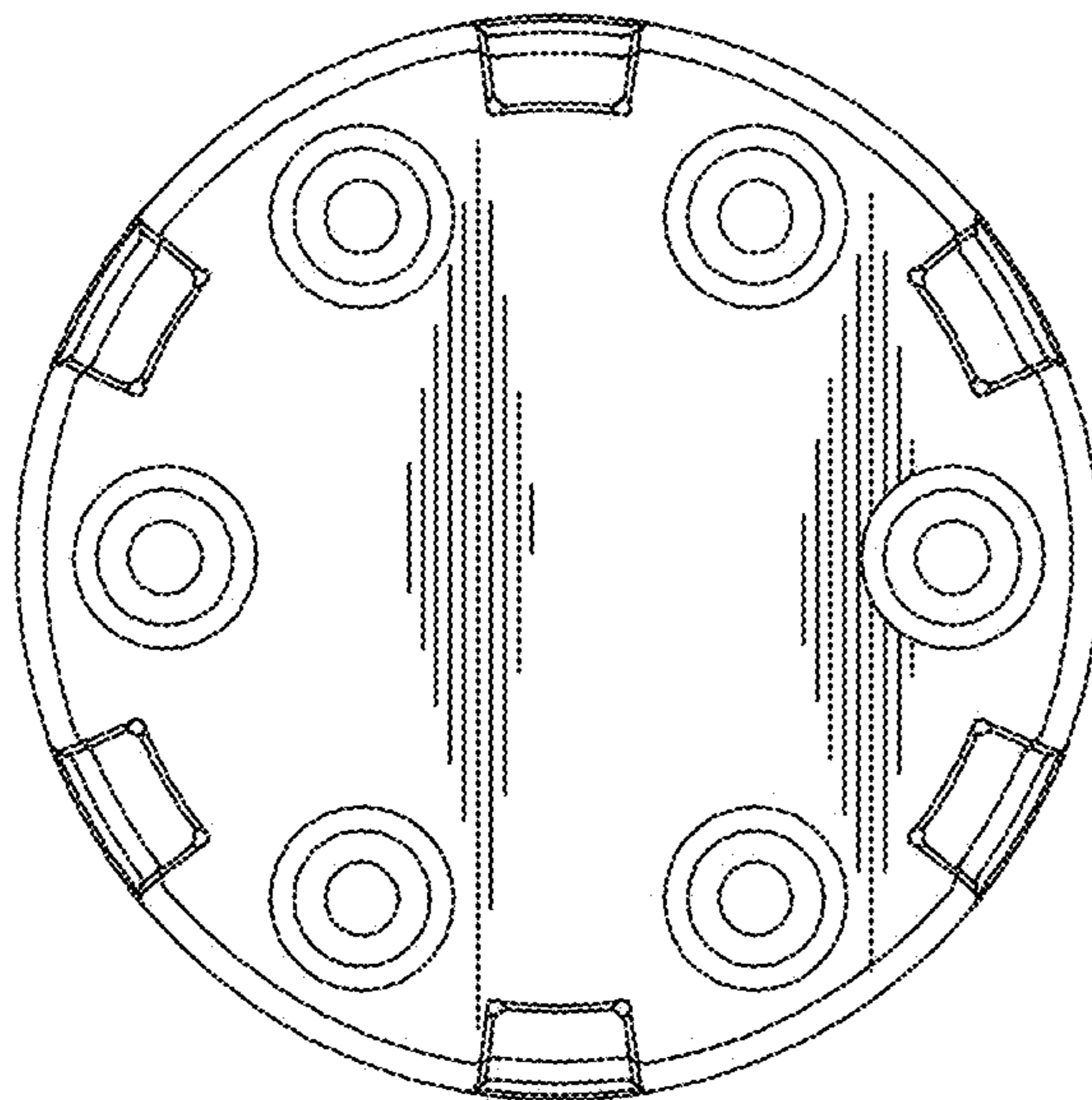


FIG 5

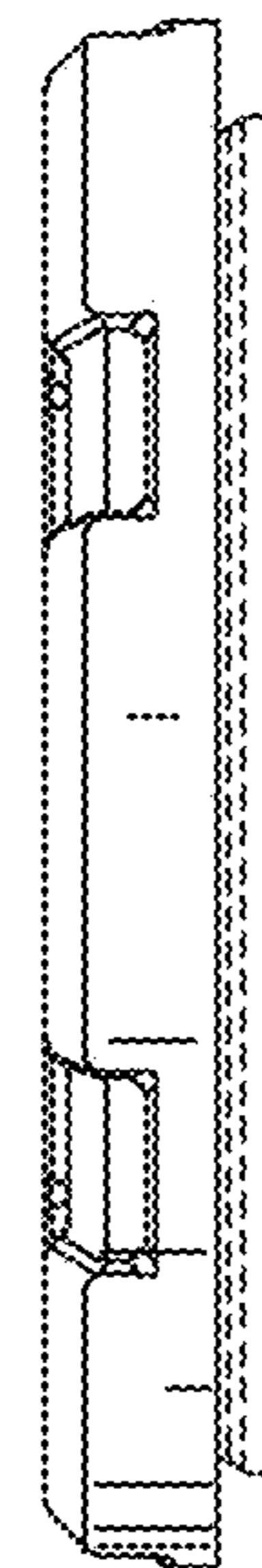


FIG 6

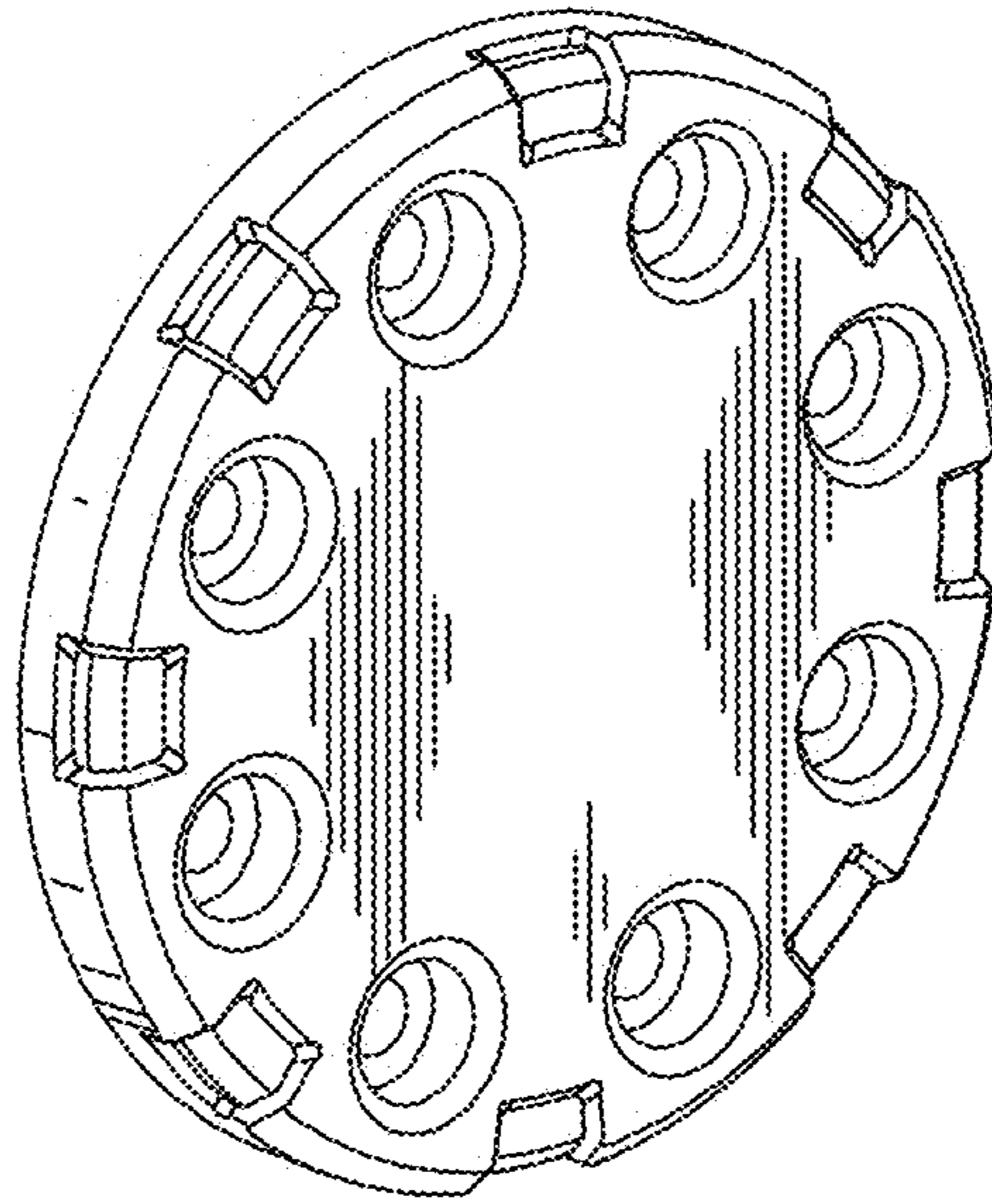


FIG 7

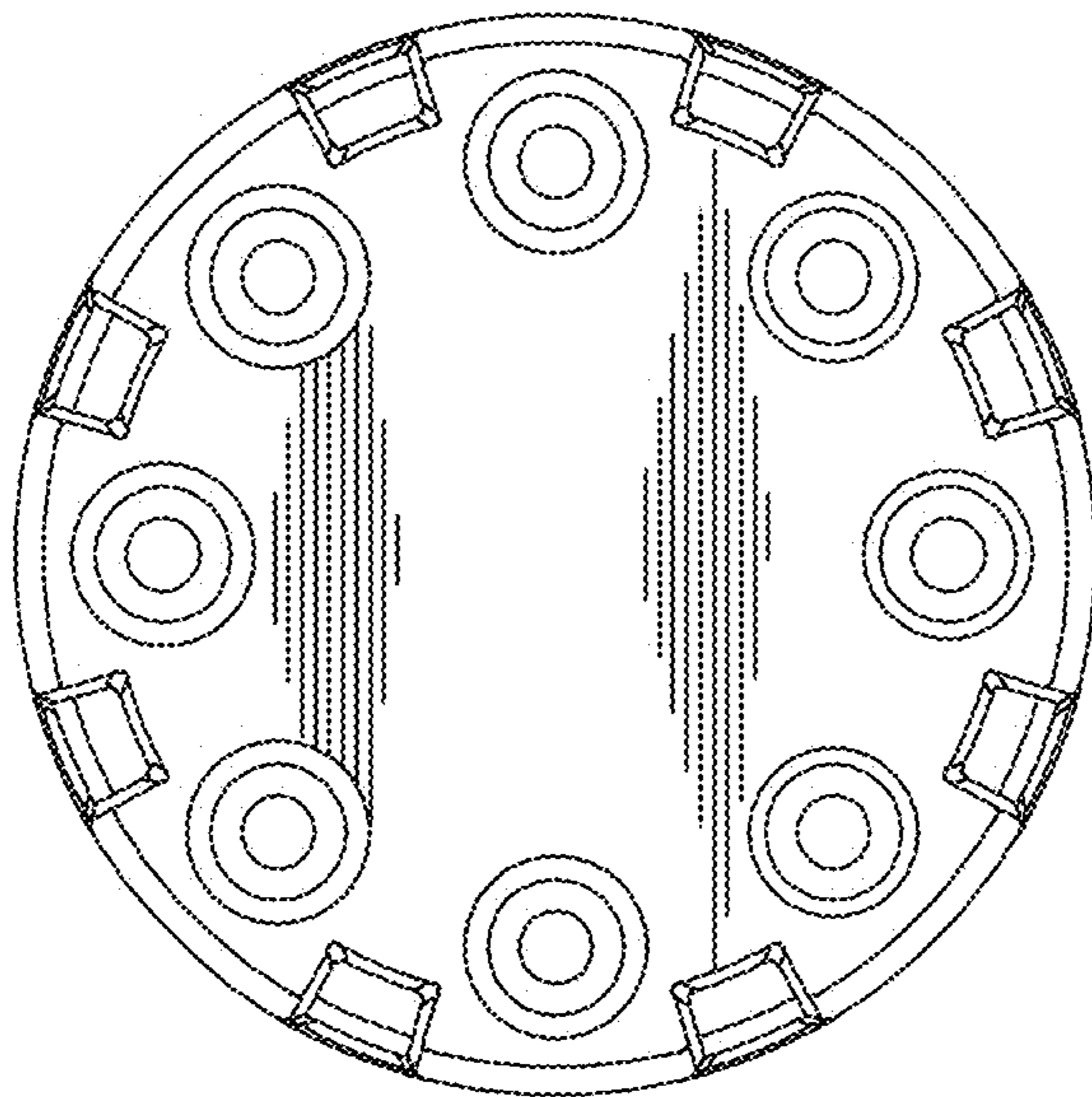


FIG 8

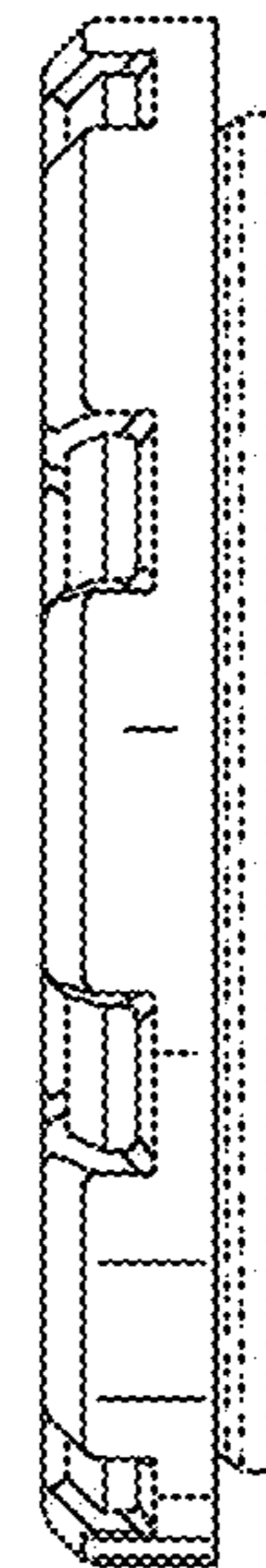


FIG 9