



US00D736125S

(12) **United States Design Patent**
Kamiura et al.

(10) **Patent No.:** **US D736,125 S**
(45) **Date of Patent:** **** Aug. 11, 2015**

- (54) **BUMPER FOR AN AUTOMOBILE**
- (71) Applicants: **Shin Kamiura**, Toyota (JP); **Nobuyuki Tomatsu**, Nagoya (JP)
- (72) Inventors: **Shin Kamiura**, Toyota (JP); **Nobuyuki Tomatsu**, Nagoya (JP)
- (73) Assignee: **Toyota Jidosha Kabushiki Kaisha** (JP)
- (**) Term: **14 Years**

D680,473	S	*	4/2013	Kido et al.	D12/163
D684,905	S	*	6/2013	Tase et al.	D12/169
D695,168	S	*	12/2013	Kawasaki	D12/169
D696,168	S	*	12/2013	Ito	D12/169
D705,139	S	*	5/2014	Jevremovic et al.	D12/169
D708,995	S	*	7/2014	Chen et al.	D12/169
D712,802	S	*	9/2014	Scheinhuette	D12/169
D713,304	S	*	9/2014	Tsuchida et al.	D12/169
D713,766	S	*	9/2014	Katou et al.	D12/169
D721,306	S	*	1/2015	George et al.	D12/169
D721,625	S	*	1/2015	George et al.	D12/169
D725,009	S	*	3/2015	Hirai et al.	D12/169
D725,010	S	*	3/2015	Takei et al.	D12/169

- (21) Appl. No.: **29/482,960**
- (22) Filed: **Feb. 24, 2014**
- (30) **Foreign Application Priority Data**
 - Sep. 2, 2013 (JP) 2013-020193
 - Sep. 2, 2013 (JP) 2013-020194
- (51) **LOC (10) Cl.** **12-16**
- (52) **U.S. Cl.**
 - USPC **D12/169**
- (58) **Field of Classification Search**
 - USPC D12/169, 216, 90-92, 86, 171, 196, D12/163; 293/102, 113, 115, 117, 120; 296/180.1, 180.2
 - CPC B60R 19/02; B60R 19/04; B62D 25/08
 - See application file for complete search history.

OTHER PUBLICATIONS

Lexus, Lexus GS 450h (2013) <http://www.netcarshow.com/lexus/2013-gs_450/> at <http://photo.netcarshow.com/Lexus-GS_450h_2013_photo_25.jpg>, available at least as early as May 31, 2013.

(Continued)

Primary Examiner — Melody N Brown
(74) *Attorney, Agent, or Firm* — Saidman DesignLaw Group, LLC

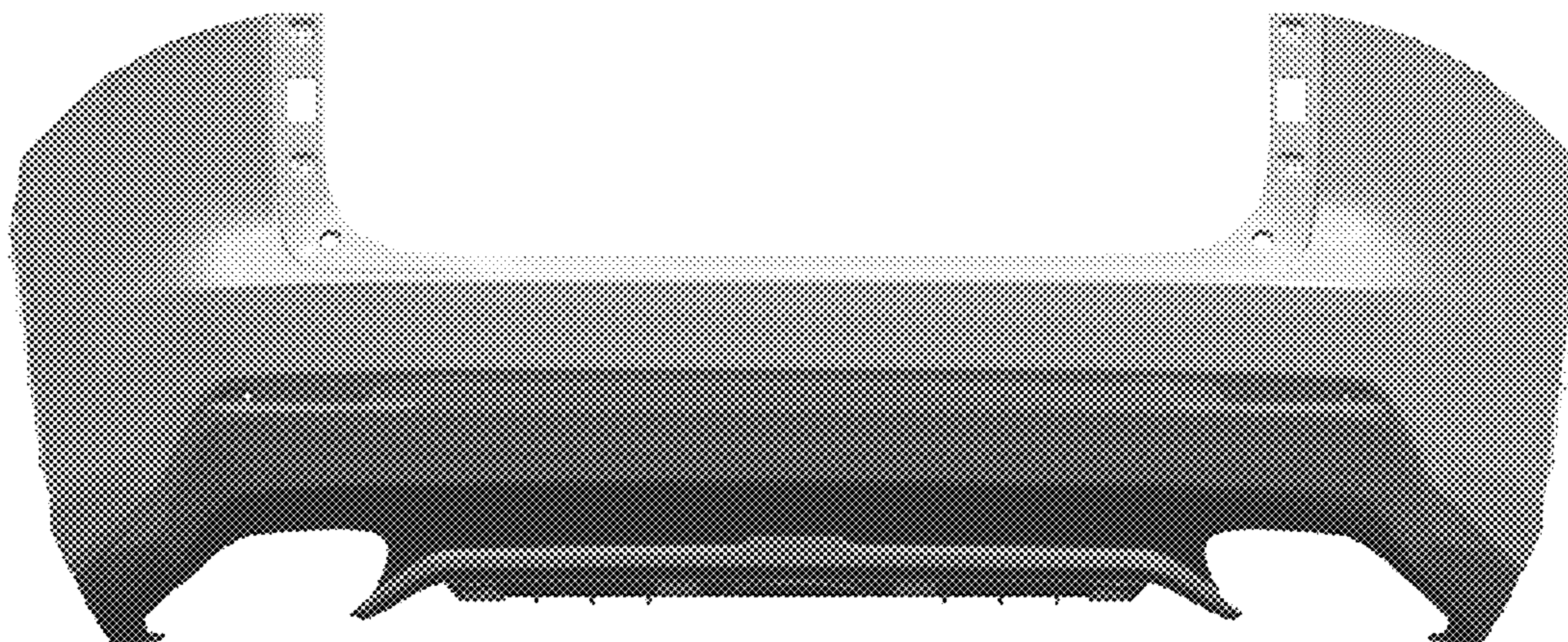
(57) **CLAIM**
The ornamental design for a bumper for an automobile, as shown and described.

DESCRIPTION

FIG. 1 is a perspective view of a bumper for an automobile showing our new design;
FIG. 2 is a front view thereof;
FIG. 3 is a rear view thereof;
FIG. 4 is a top view thereof;
FIG. 5 is a bottom view thereof; and,
FIG. 6 is a right side view, the left side view being a mirror image thereof.
The drawings include shadows and reflections which indicate contour, not surface ornamentation.

1 Claim, 3 Drawing Sheets

- (56) **References Cited**
 - U.S. PATENT DOCUMENTS**
 - D462,038 S * 8/2002 Yokomaku D12/169
 - 6,520,553 B2 * 2/2003 Muramatsu 293/155
 - D585,002 S * 1/2009 Tamura D12/169
 - D610,503 S * 2/2010 Bucher et al. D12/169
 - 7,891,452 B2 * 2/2011 Iwamoto et al. 180/89.2
 - D640,617 S * 6/2011 Furst D12/169
 - D653,593 S * 2/2012 Nishihama D12/169
 - D671,049 S * 11/2012 Davidson et al. D12/169
 - D678,826 S * 3/2013 Akamine et al. D12/169



(56)

References Cited

OTHER PUBLICATIONS

Citroen, Citroen DS Wild Rubis Concept (2013) <http://www.netcarshow.com/citroen/2013-ds_wild_rubis_concept/> at <http://photo.netcarshow.com/Citroen-DS_Wild_Rubis_Concept_2013_photo_0e.jpg>, available at least as early as May 31, 2013.
Nissan, Nissan Resonance Concept (2013) <http://www.netcarshow.com/nissan/2013-resonance_concept/> at <http://photo.netcarshow.com/Nissan-Resonance_Concept_2013_photo_04.jpg>, available at least as early as May 31, 2013.

Lexus, Lexus GS 350 (2013) <http://www.netcarshow.com/lexus/2013-gs_350/> at <http://photo.netcarshow.com/Lexus-GS_350_2013_photo_2b.jpg>, available at least as early as May 31, 2013.
Mercedes-Benz, Mercedes-Benz CLA-Class (2014) <<http://www.netcarshow.com/mercedes-benz/2014-cla-class/>> at <http://photo.netcarshow.com/Mercedes-Benz-CLA-Class_2014_photo_3d.jpg>, available at least as early as May 31, 2013.
Audi, Audi RS5 (2012) <<http://www.netcarshow.com/audi/2012-rs5>> at <http://photo.netcarshow.com/Audi-RS5_2012_photo_36.jpg>, available at least as early as May 31, 2013.

* cited by examiner

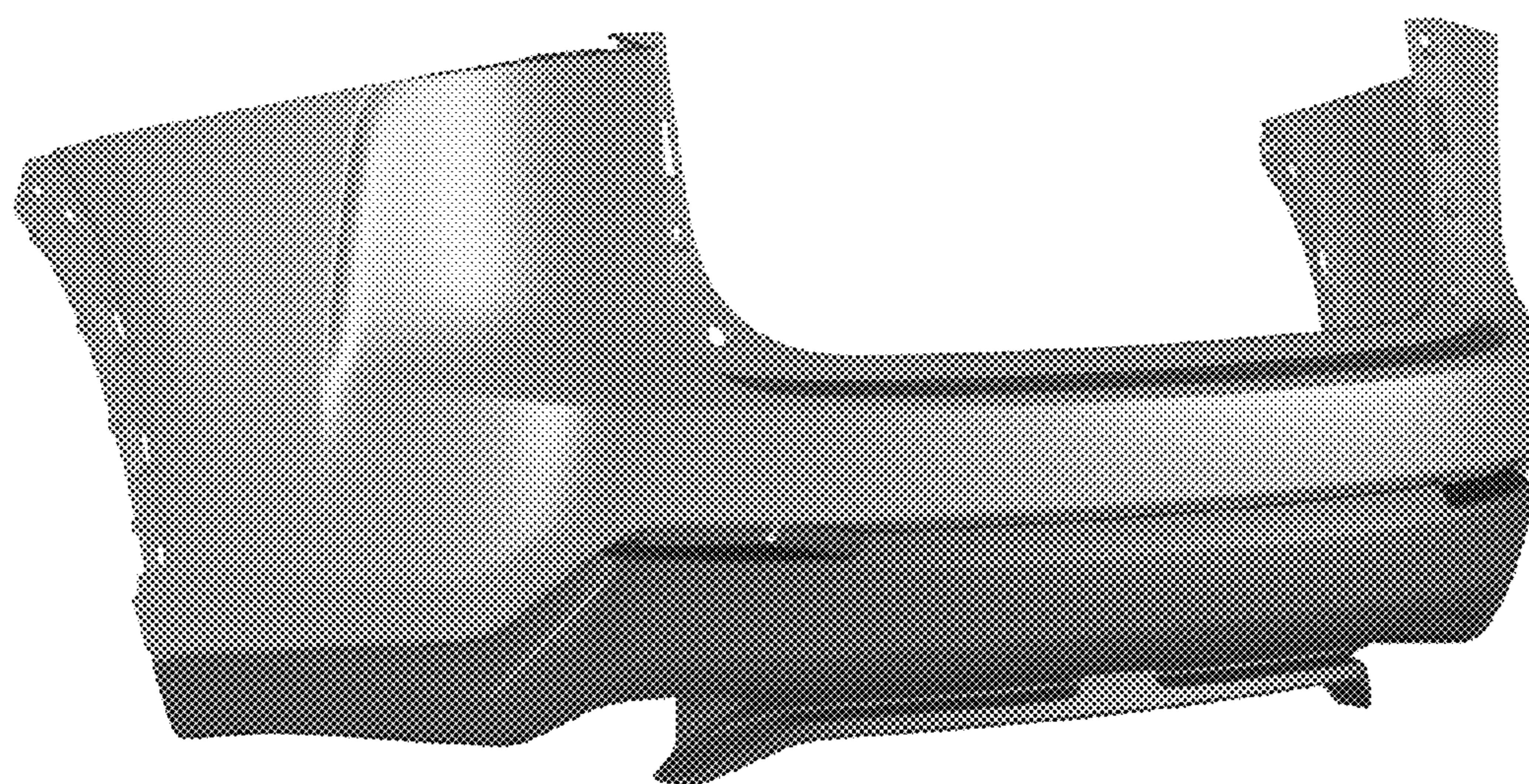


Fig. 1

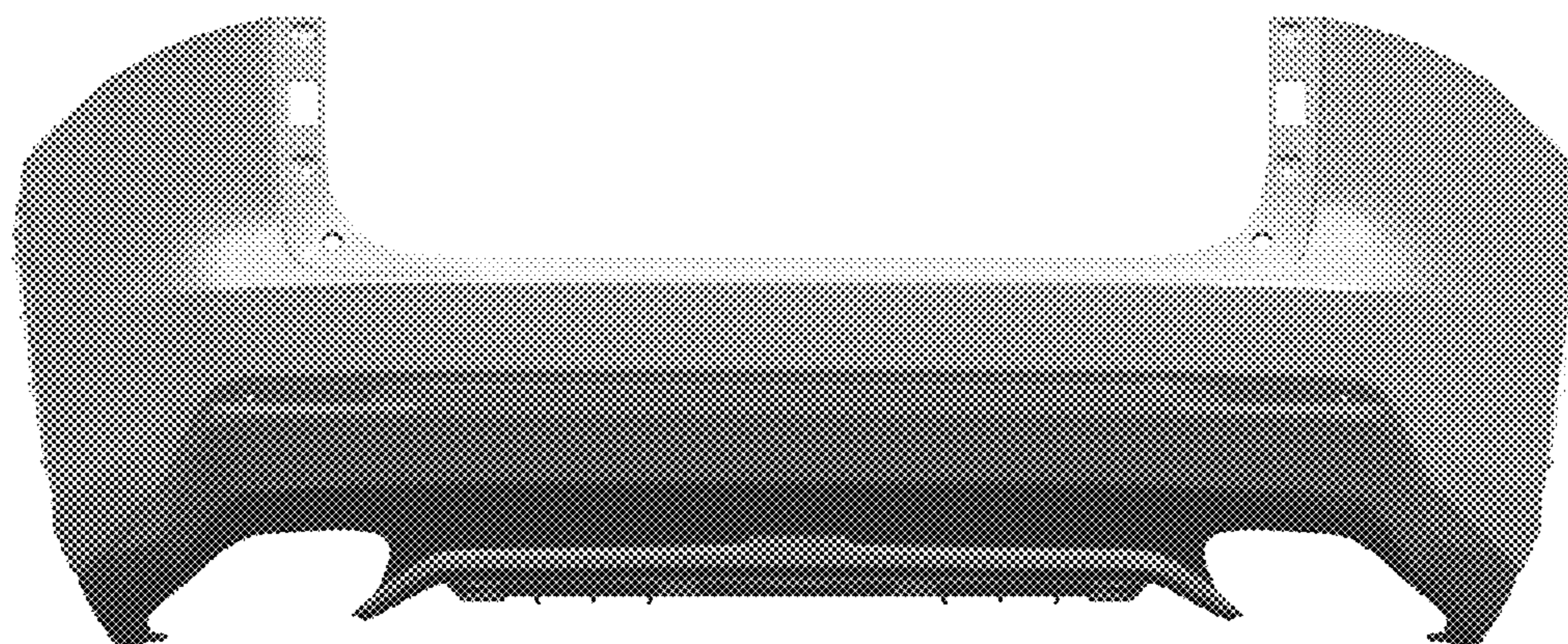


Fig. 2

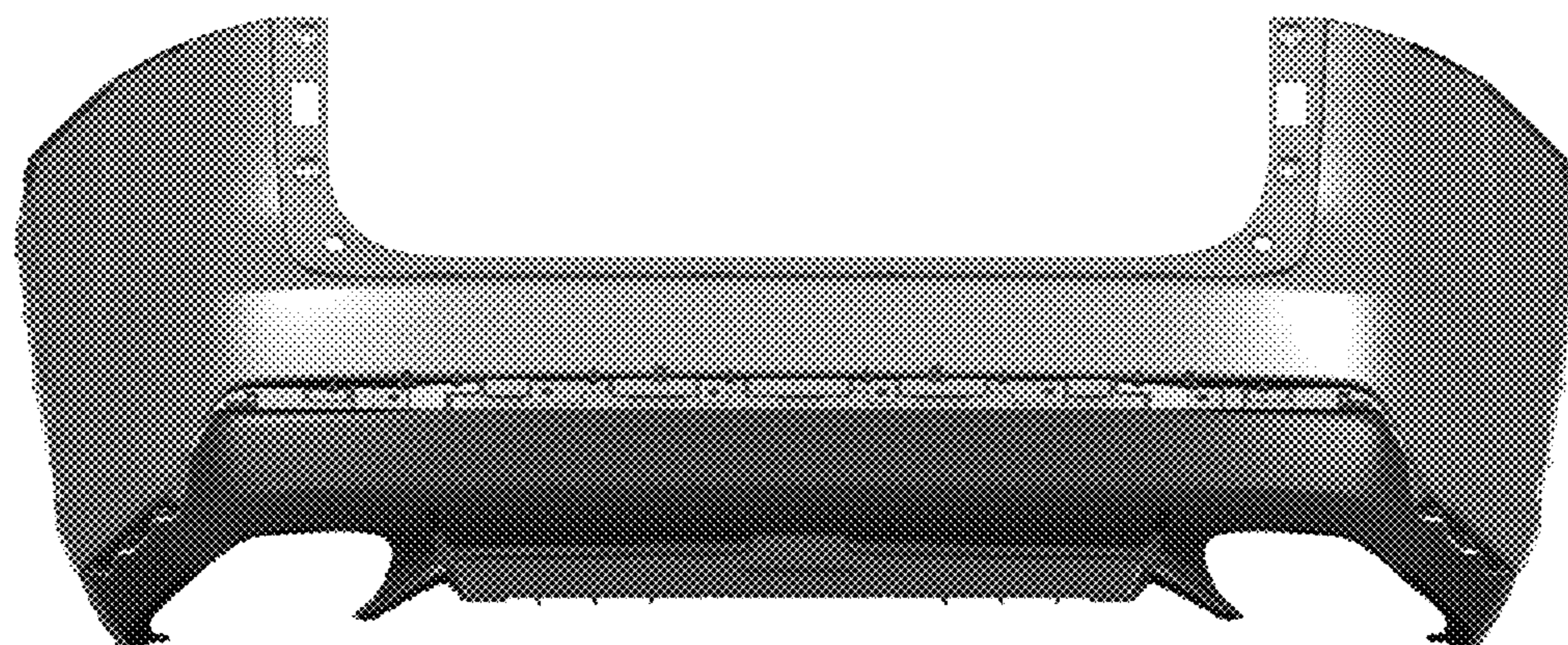


Fig. 3

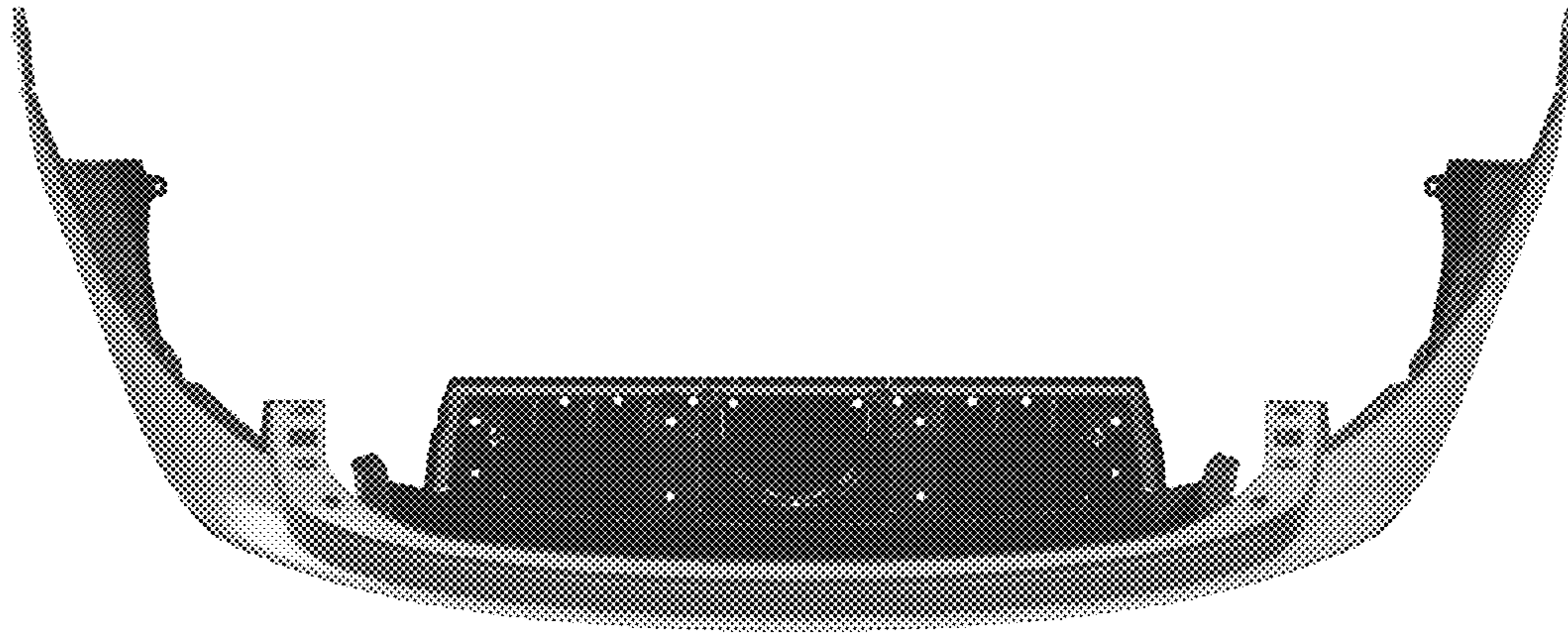


Fig. 4

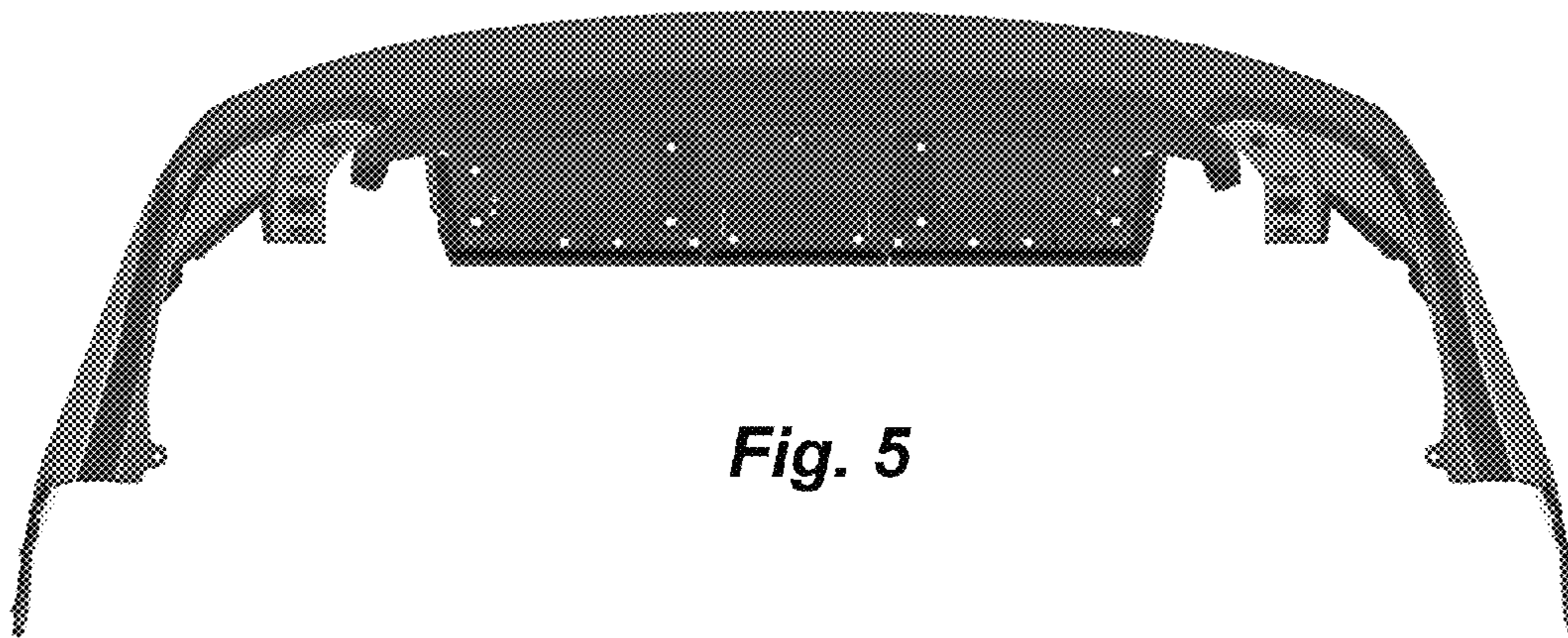


Fig. 5

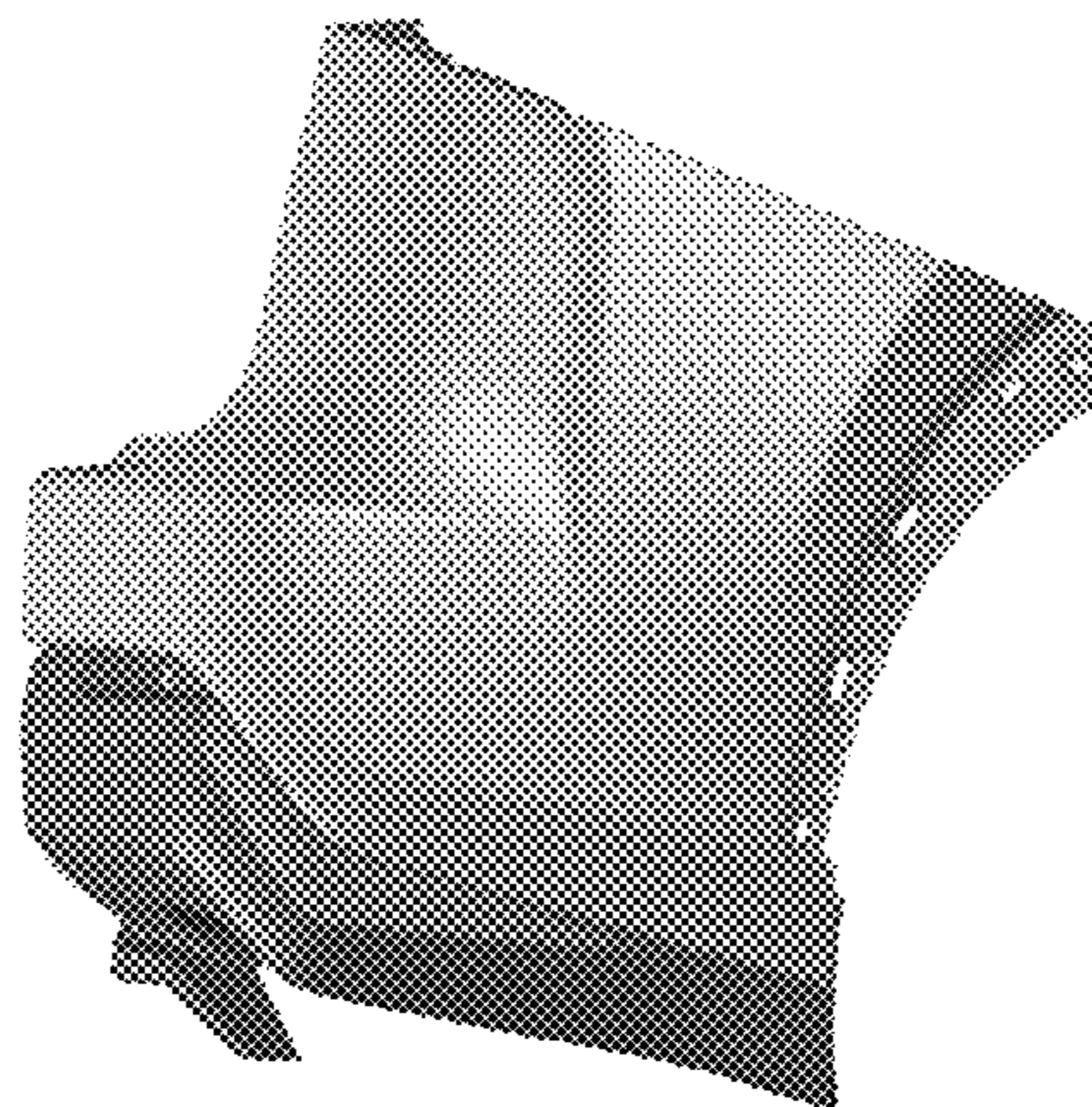


Fig. 6