



US00D736124S

(12) **United States Design Patent**  
**Glover et al.**

(10) **Patent No.:** **US D736,124 S**

(45) **Date of Patent:** **\*\* Aug. 11, 2015**

(54) **VEHICLE REAR LIFTGATE**

(56) **References Cited**

(71) Applicants: **Jeremy Glover**, Clawson, MI (US);  
**Brian Nielander**, Royal Oak, MI (US);  
**Mark T Allen**, Oxford, MI (US)

U.S. PATENT DOCUMENTS

D695,177 S	*	12/2013	Matsueda	.....	D12/196
D695,180 S	*	12/2013	Hildebrand et al.	.....	D12/196
D699,656 S	*	2/2014	Watabe	.....	D12/196
D706,191 S	*	6/2014	Choi et al.	.....	D12/196
D718,695 S	*	12/2014	Galante et al.	.....	D12/196
D726,615 S	*	4/2015	Wolff et al.	.....	D12/196

(72) Inventors: **Jeremy Glover**, Clawson, MI (US);  
**Brian Nielander**, Royal Oak, MI (US);  
**Mark T Allen**, Oxford, MI (US)

\* cited by examiner

(73) Assignee: **FCA US LLC**, Auburn Hills, MI (US)

*Primary Examiner* — Melody Brown

(\*\*) Term: **14 Years**

(74) *Attorney, Agent, or Firm* — Ralph E Smith

(21) Appl. No.: **29/507,340**

(57) **CLAIM**

The ornamental design for a vehicle rear liftgate, as shown and described.

(22) Filed: **Oct. 27, 2014**

**DESCRIPTION**

**Related U.S. Application Data**

(63) Continuation-in-part of application No. 29/482,347, filed on Feb. 18, 2014, now Pat. No. Des. 728,425.

(51) **LOC (10) Cl.** ..... **12-16**

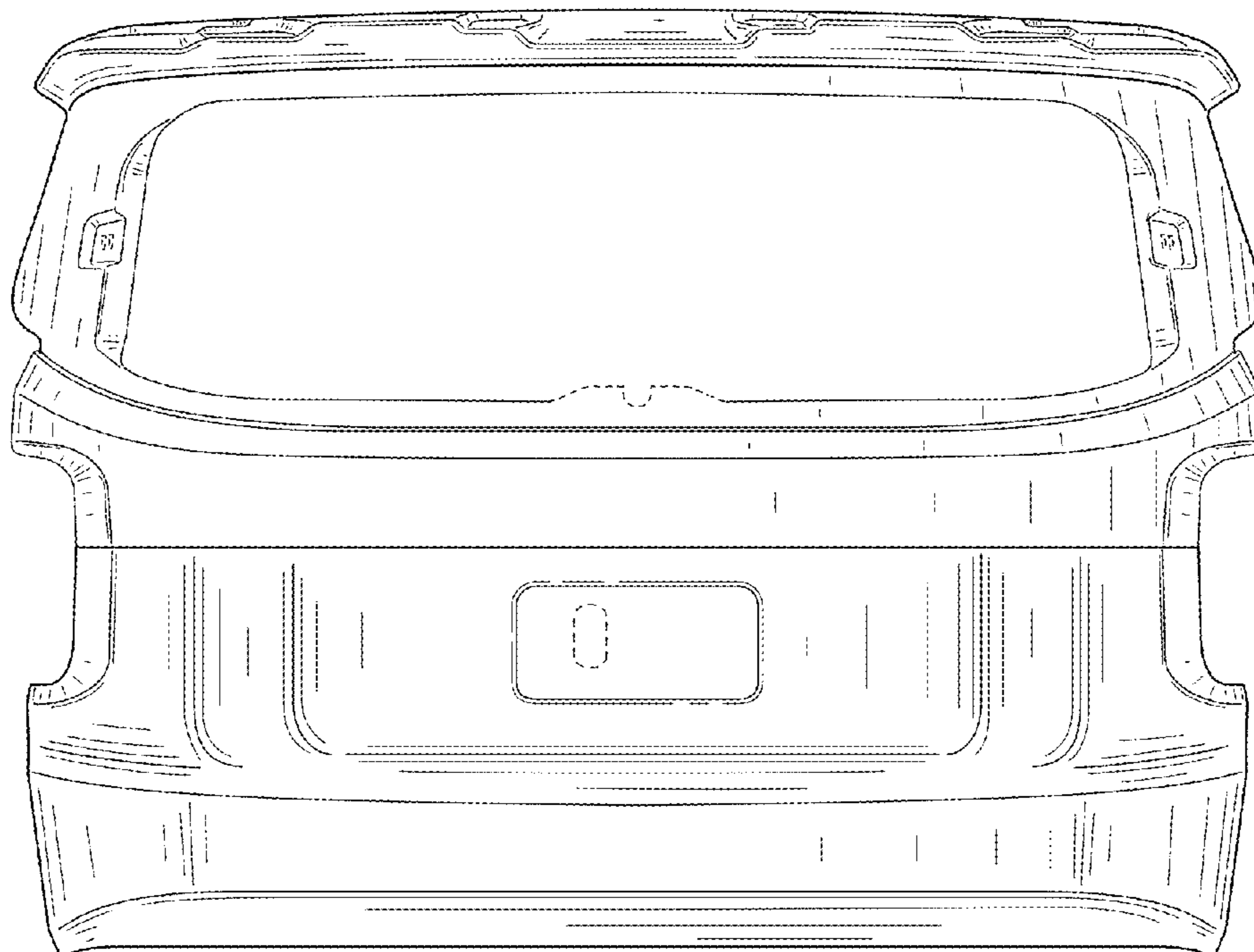
(52) **U.S. Cl.**  
USPC ..... **D12/164**

(58) **Field of Classification Search**  
USPC ..... D12/196, 90-92, 86; 296/181.1, 181.5  
CPC .... B62D 35/001; B62D 31/003; B62D 24/02;  
B62D 25/08; B62D 33/00; B62D 25/06  
See application file for complete search history.

FIG. 1 is a front perspective view of a vehicle rear liftgate showing our new design;  
FIG. 2 is a front view thereof;  
FIG. 3 is a rear view thereof;  
FIG. 4 is a right side view thereof;  
FIG. 5 is a left side view thereof; and  
FIG. 6 is a top view thereof; and  
FIG. 7 is a bottom view thereof.

It will be understood that the broken lines shown in the drawings illustrate portions of the vehicle rear liftgate that form no part of claimed design.

**1 Claim, 5 Drawing Sheets**



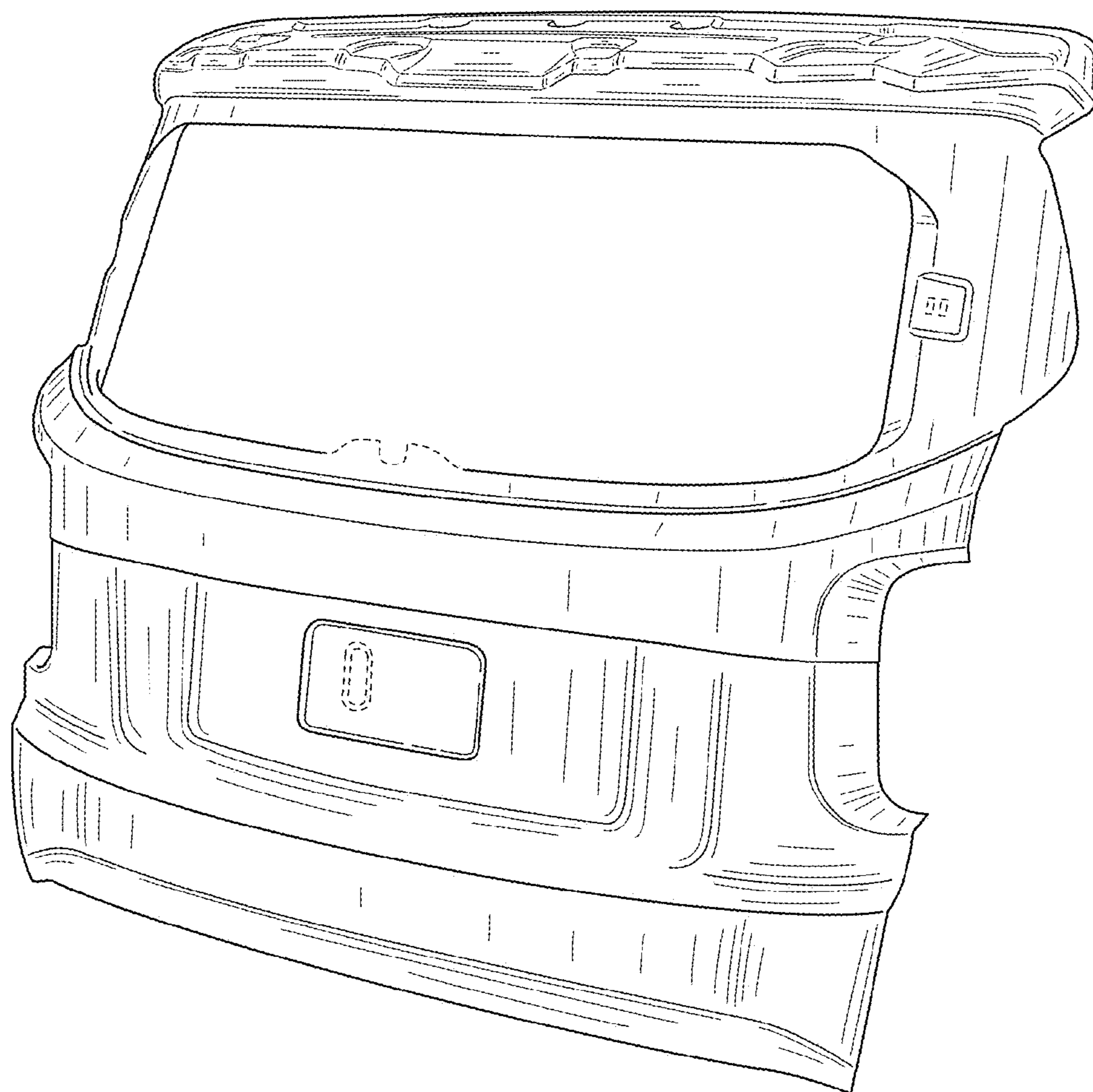


FIG. 1

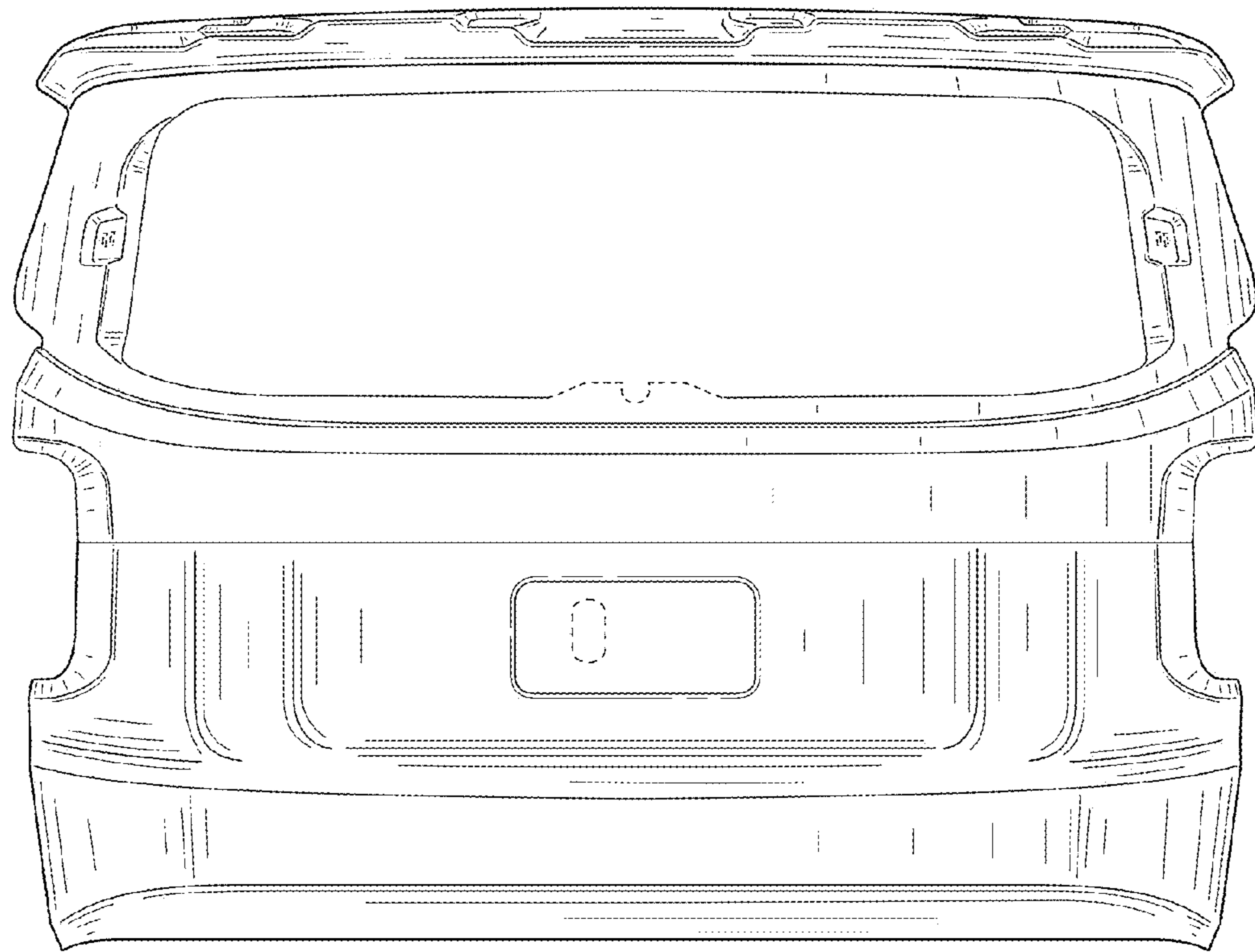
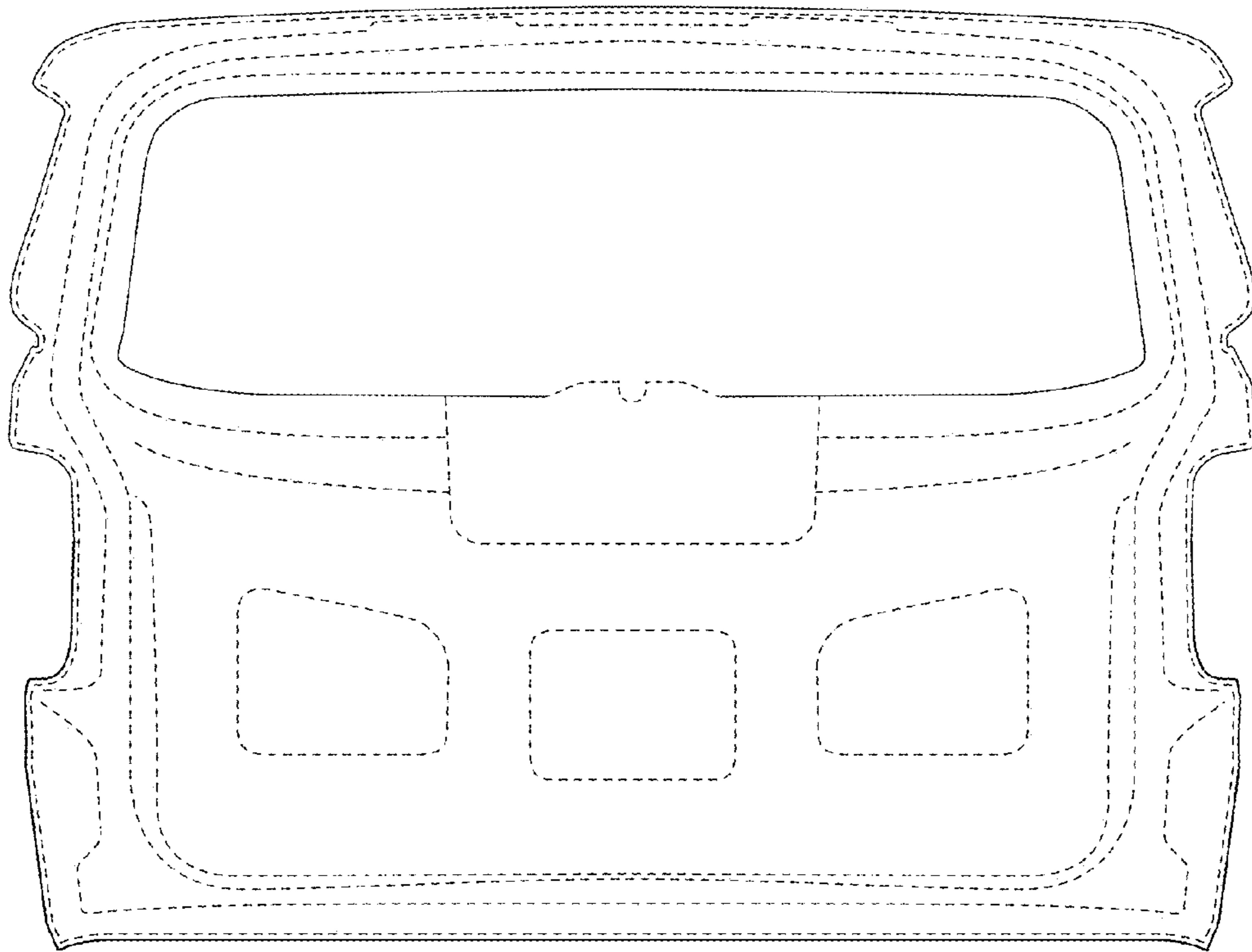
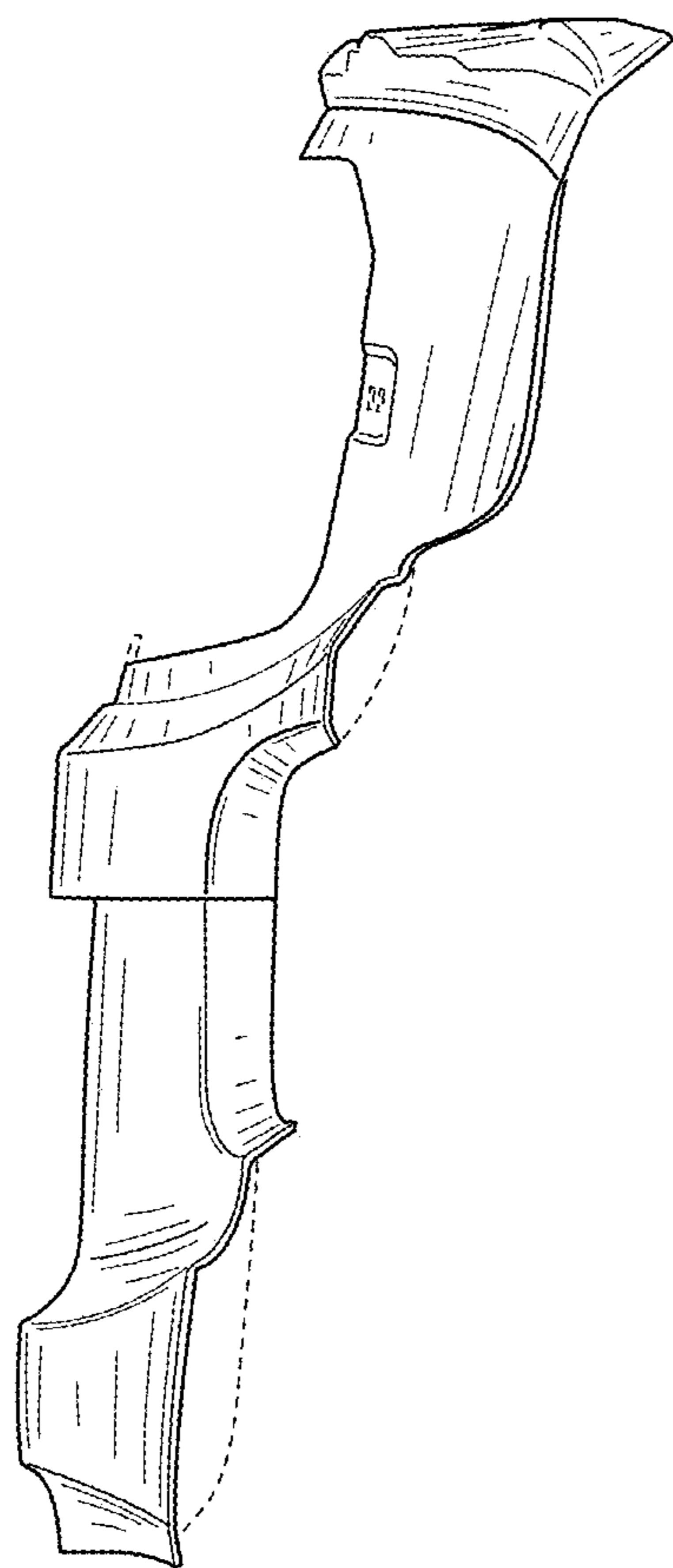


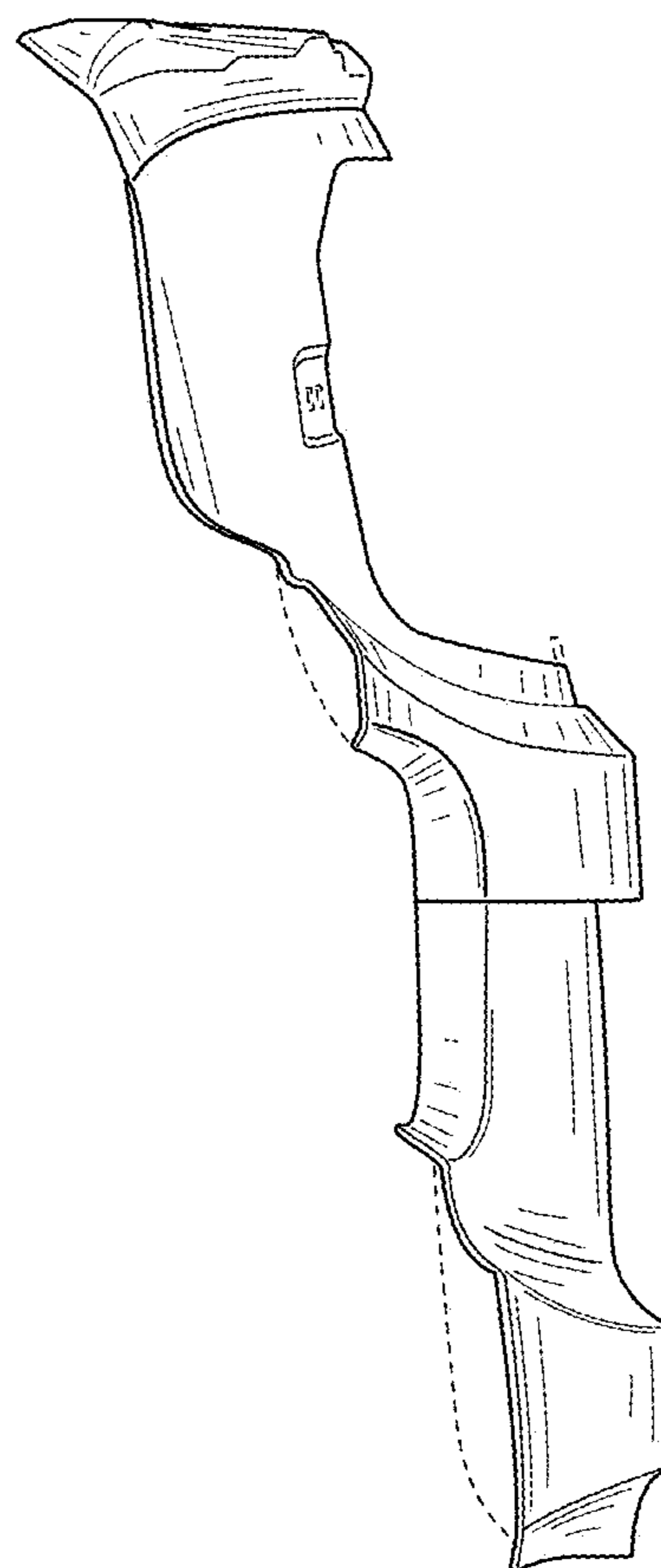
FIG. 2



**FIG. 3**



**FIG. 4**



**FIG. 5**

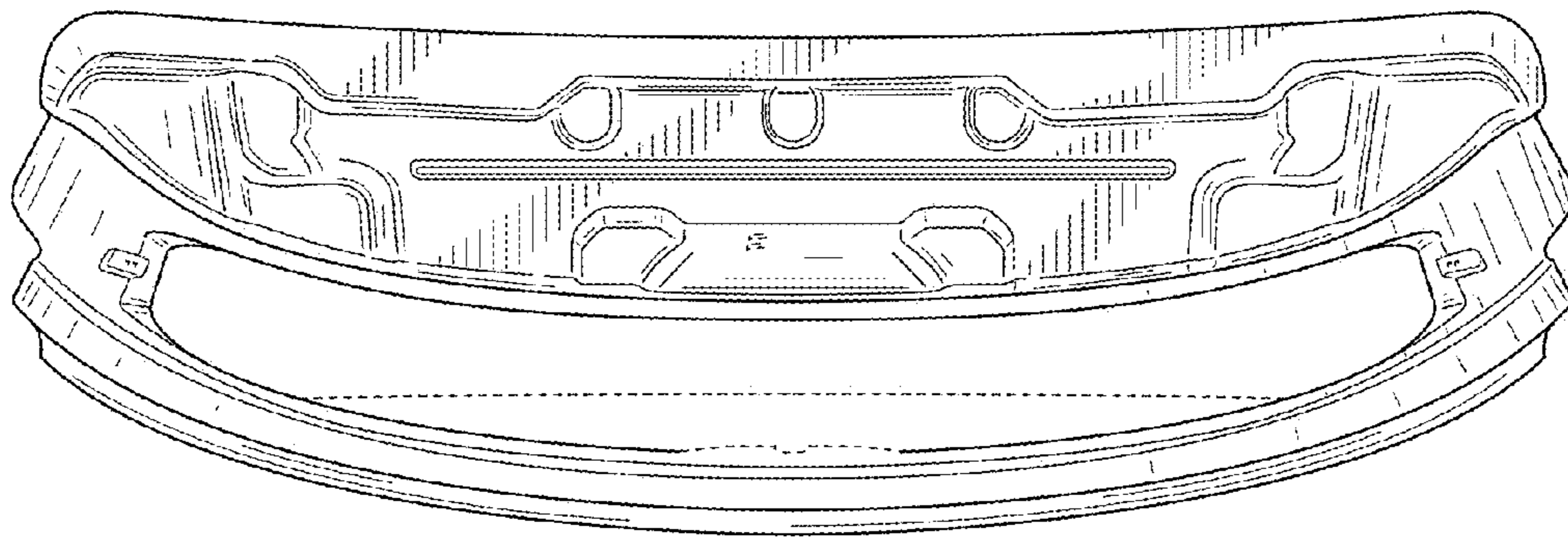


FIG. 6

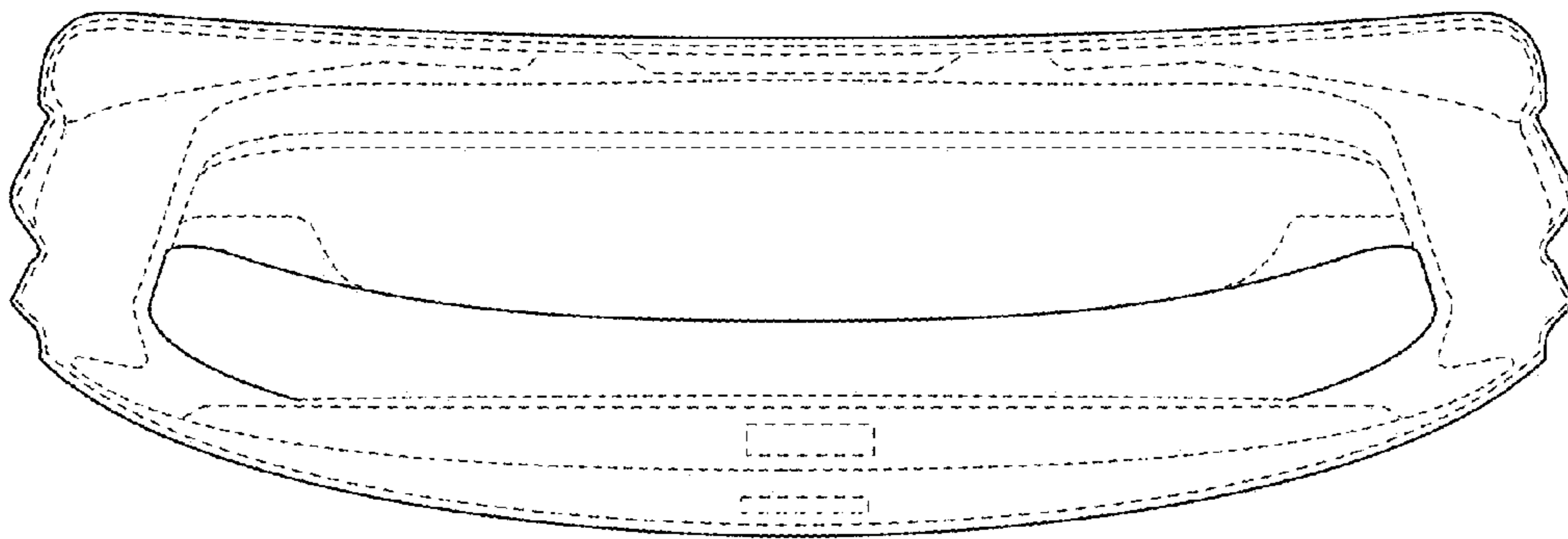


FIG. 7