



US00D736121S

(12) **United States Design Patent**
Wang et al.

(10) **Patent No.:** **US D736,121 S**
(45) **Date of Patent:** **** Aug. 11, 2015**

(54) **ROLLATOR**
(71) Applicant: **Medline Industries, Inc.**, Mundelein, IL (US)

D281,771 S * 12/1985 Webb D12/130
D289,507 S * 4/1987 Danielsson D12/130
5,058,912 A 10/1991 Harroun

(Continued)

(72) Inventors: **Zhiliang Wang**, Zhongshang (CN);
Margaret Mary Andersen, Chicago, IL (US);
Brian Monegas Ramirez, Chicago, IL (US)

FOREIGN PATENT DOCUMENTS

EP 234035 8/2012
JP D1148308 7/2002

(Continued)

(73) Assignee: **Medline Industries, Inc.**, Mundelein, IL (US)

OTHER PUBLICATIONS

PCT Patent Application No. PCT/US2013/068116; International Search Report and Written Opinion Dated Feb. 13, 2014.

(**) Term: **14 Years**

Primary Examiner — Ian Simmons

(21) Appl. No.: **29/436,520**

Assistant Examiner — Charles Hanson

(22) Filed: **Nov. 6, 2012**

(74) *Attorney, Agent, or Firm* — Fitch, Even, Tabin & Flannery LLP

(51) **LOC (10) Cl.** **12-12**

(52) **U.S. Cl.**
USPC **D12/130**

(57) **CLAIM**

We claim the ornamental design for a rollator, as shown and described.

(58) **Field of Classification Search**
USPC D12/128-133; 280/62, 647-650, 29,
280/200, 47.38, 250.1, 259, 642, 658,
280/304.1; 128/99.1, 100.1

DESCRIPTION

CPC ... A61G 5/10; A61G 2005/1054; A61G 5/08;
A61G 5/00; A61G 2005/0891; A61G
2005/0825; A61G 5/14; B62M 1/14
See application file for complete search history.

FIG. 1 is a front perspective view of a rollator in accordance with our new design;
FIG. 2 is a rear perspective view of the rollator of FIG. 1;
FIG. 3 is a left side elevational view of the rollator of FIG. 1;
FIG. 4 is a right side elevational view of the rollator of FIG. 1;
FIG. 5 is a front elevational view of the rollator of FIG. 1;
FIG. 6 is a rear elevational view of the rollator of FIG. 1;
FIG. 7 is a top plan view of the rollator of FIG. 1; and,
FIG. 8 is a bottom plan view of the rollator of FIG. 1.

The broken lines are included for the purpose of illustrating the unclaimed portions of the rollator and form no part of the claim.

(56) **References Cited**

U.S. PATENT DOCUMENTS

474,666 A 5/1892 Krehbiel
3,186,759 A 6/1965 Reeves
3,338,628 A 8/1967 Evans
4,211,309 A * 7/1980 Ruggiero 188/83
4,229,039 A 10/1980 Day
4,341,381 A * 7/1982 Norberg 482/67

1 Claim, 8 Drawing Sheets



(56)

References Cited

U.S. PATENT DOCUMENTS

5,060,967 A 10/1991 Hultstrum
 5,224,731 A 7/1993 Johnson
 5,320,122 A 6/1994 Jacobson, II
 5,364,120 A 11/1994 Shimansky
 5,419,571 A 5/1995 Vaughan
 D360,174 S * 7/1995 Kjell et al. D12/130
 D367,833 S * 3/1996 Ahlbertz D12/130
 D372,890 S * 8/1996 Ferm et al. D12/130
 5,741,020 A 4/1998 Harroun
 D396,437 S * 7/1998 Liljedahl D12/130
 5,904,168 A 5/1999 Alulyan
 6,338,493 B1 1/2002 Wohlgemuth
 6,378,883 B1 4/2002 Epstein
 D503,909 S * 4/2005 Tolfsen et al. D12/130
 D519,423 S * 4/2006 Tolfsen D12/130
 7,192,043 B1 3/2007 McLuen
 7,219,906 B2 5/2007 Hallgrimsson
 7,306,246 B2 12/2007 Gale
 D560,563 S * 1/2008 Fransson et al. D12/130

7,379,734 B2 5/2008 Sato
 7,484,740 B2 * 2/2009 Miller 280/87.021
 7,628,411 B2 12/2009 Meyers
 D623,992 S 9/2010 Derks
 D633,830 S 3/2011 Derks
 7,918,473 B2 4/2011 Yao
 2002/0079663 A1 6/2002 Hallgrimsson
 2004/0245737 A1 12/2004 Hallgrimsson
 2006/0284040 A1 12/2006 Nixon
 2007/0034243 A1 * 2/2007 Miller 135/67
 2007/0170699 A1 7/2007 Li
 2008/0111349 A1 5/2008 Willis
 2009/0033052 A1 2/2009 Bradshaw
 2010/0301574 A1 12/2010 Derks

FOREIGN PATENT DOCUMENTS

JP D1292289 1/2007
 TW D107853 11/2005
 TW D127741 3/2009

* cited by examiner

FIG. 1



FIG. 2

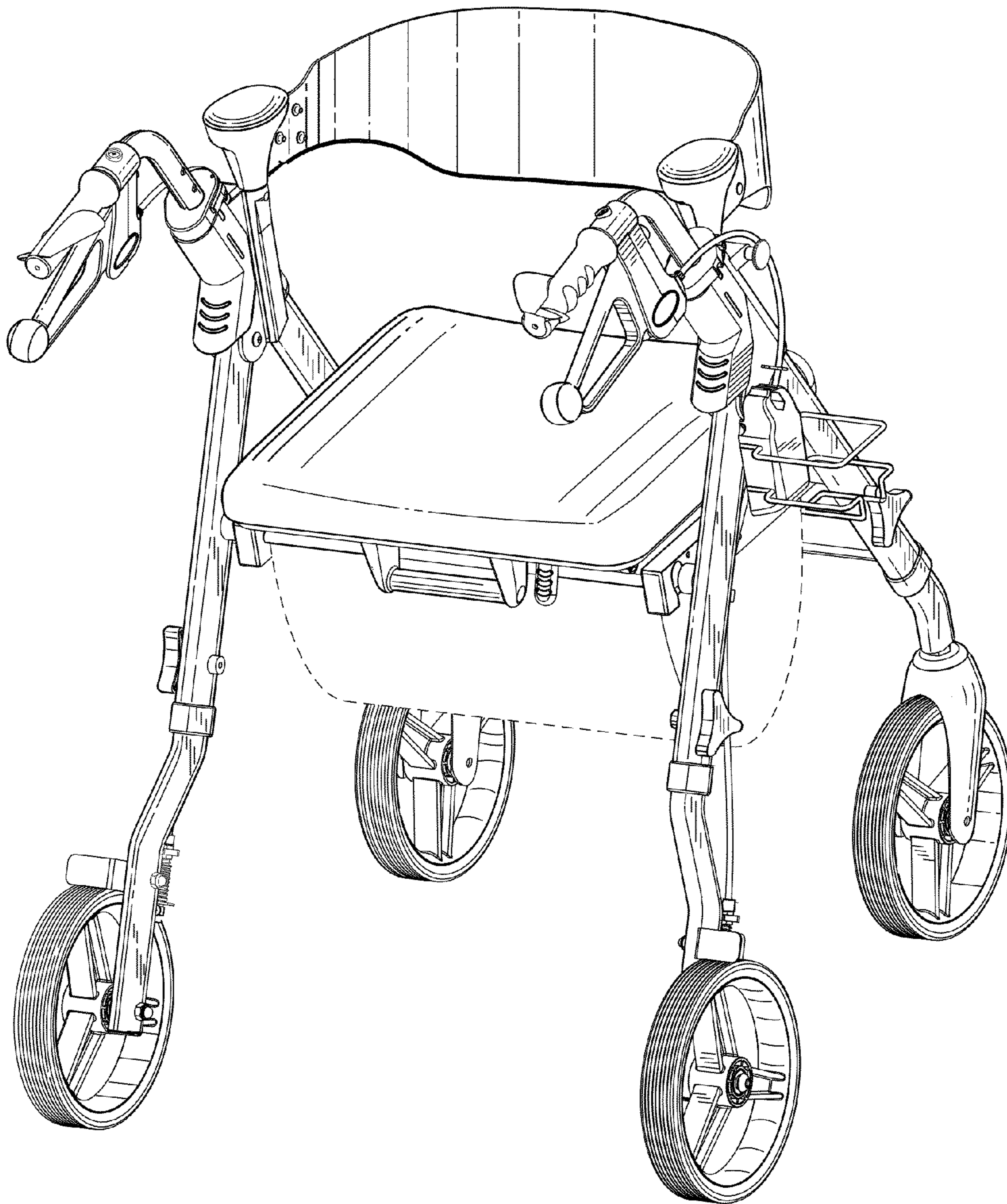


FIG. 3

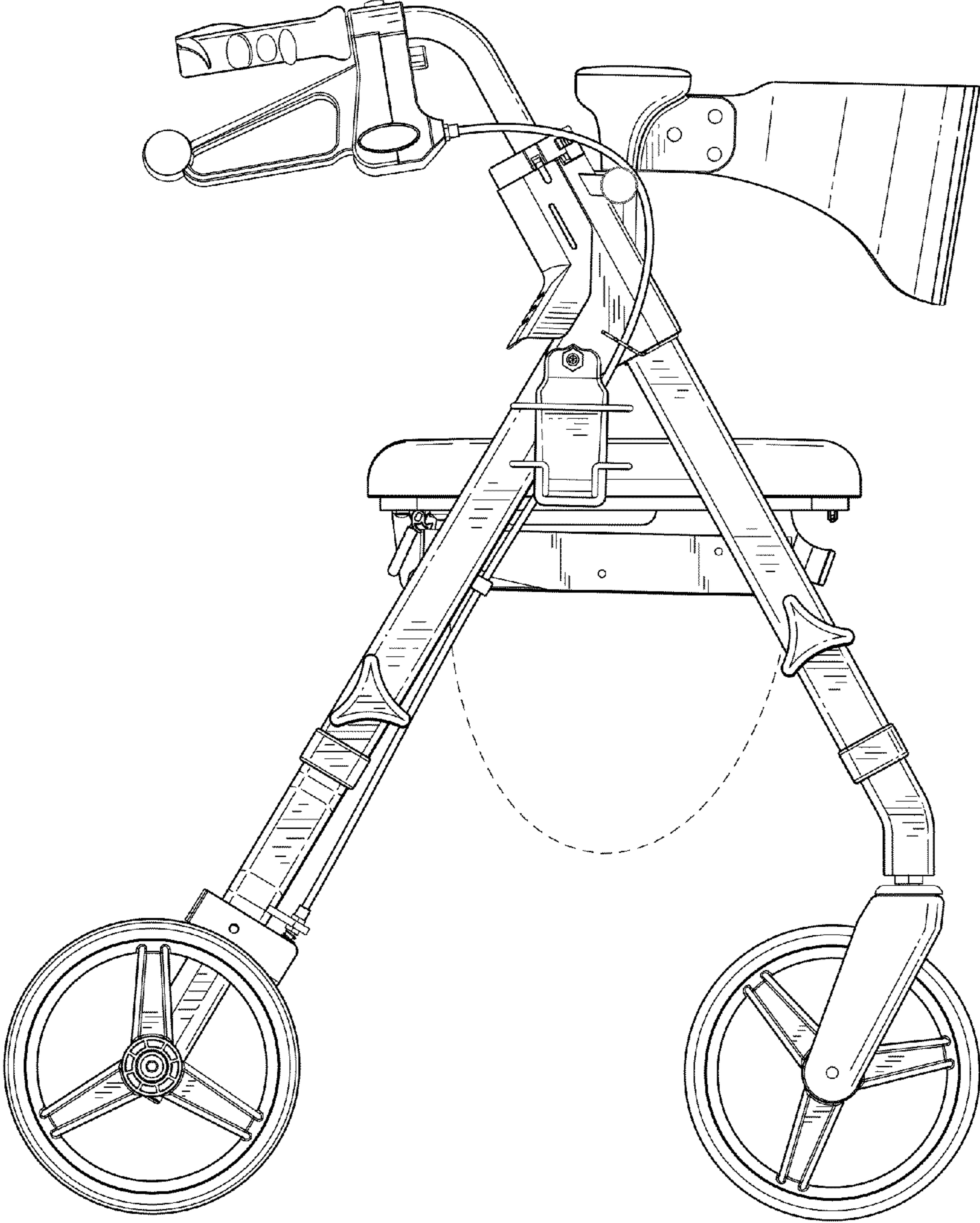


FIG. 4

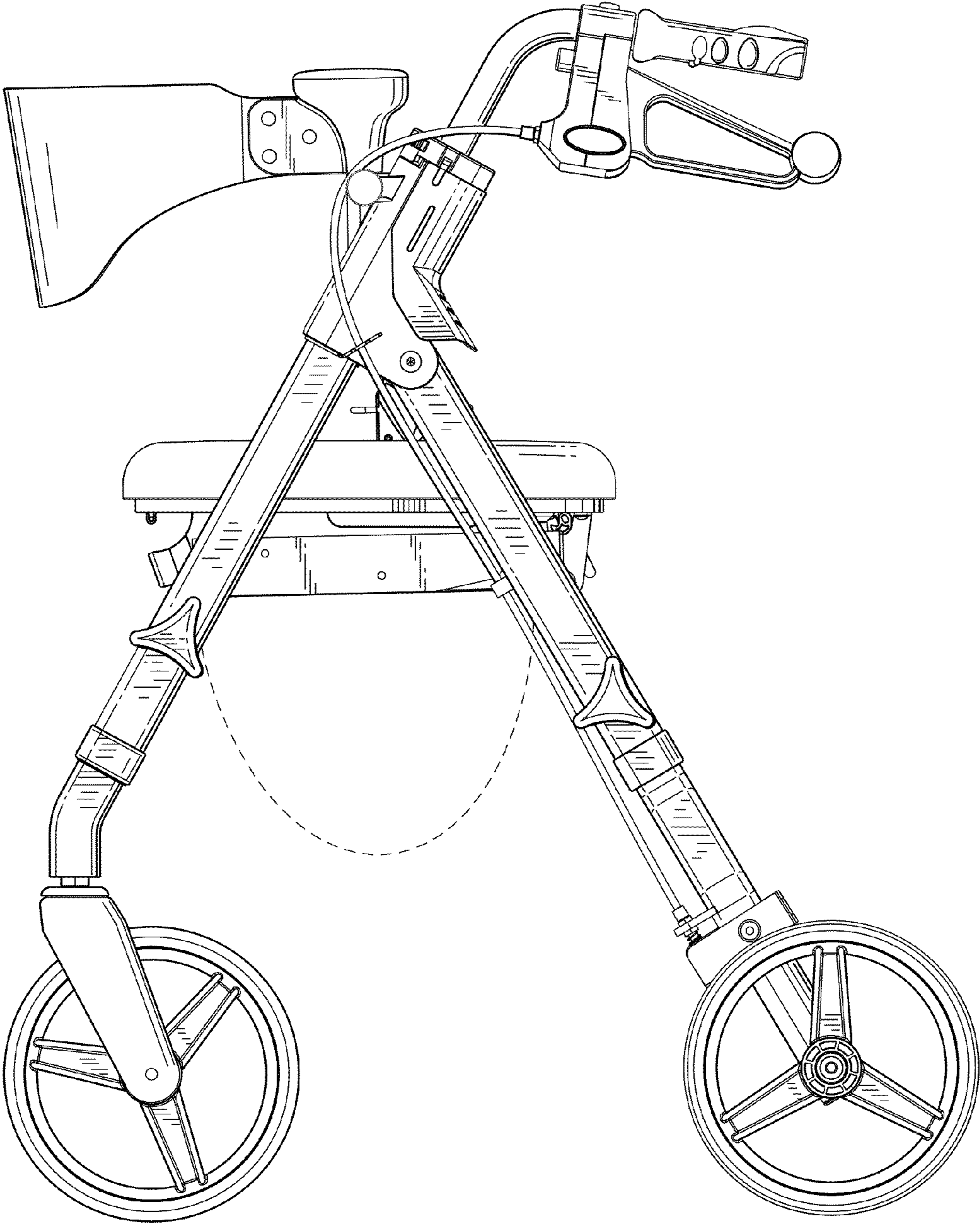


FIG. 5

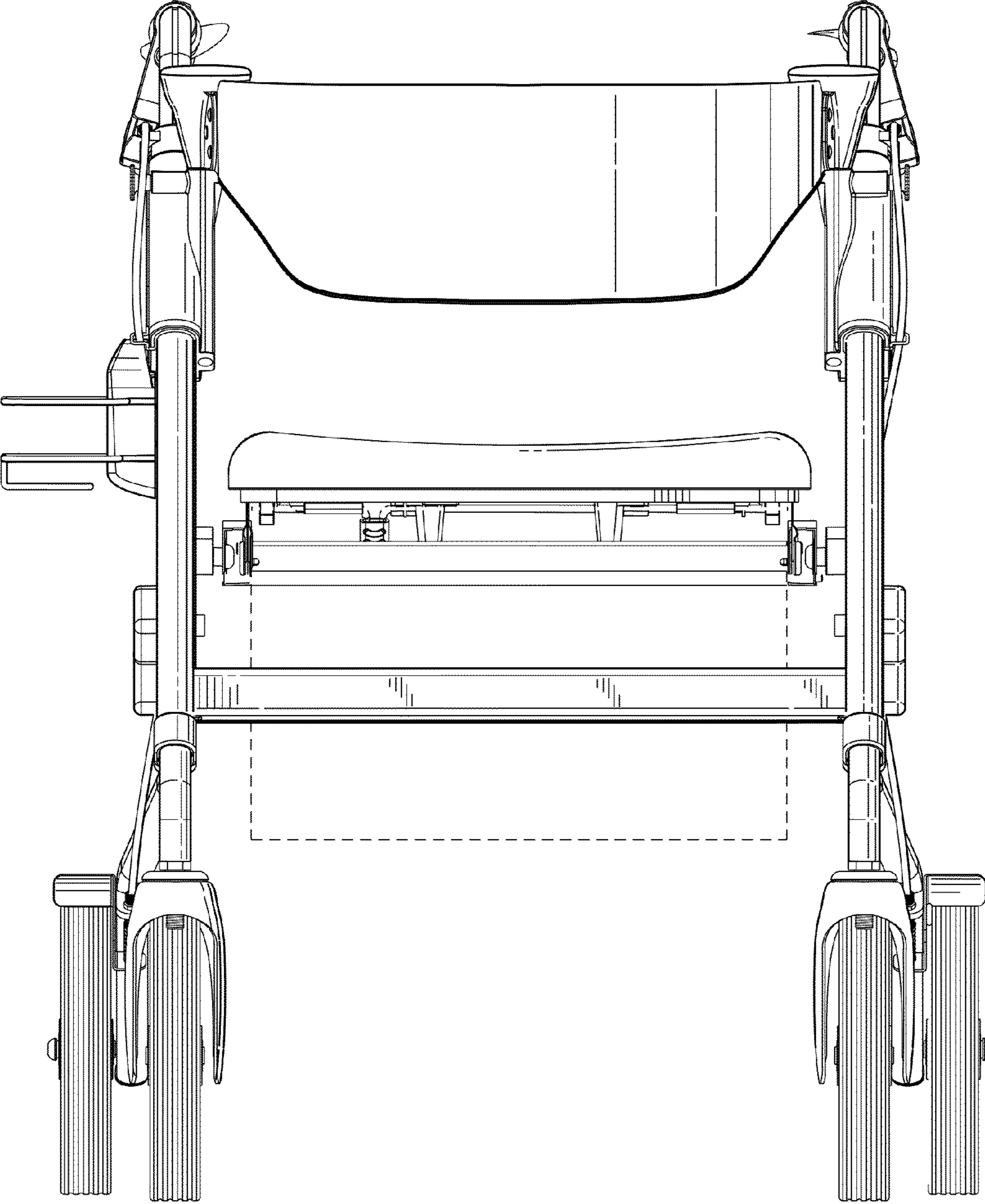


FIG. 6

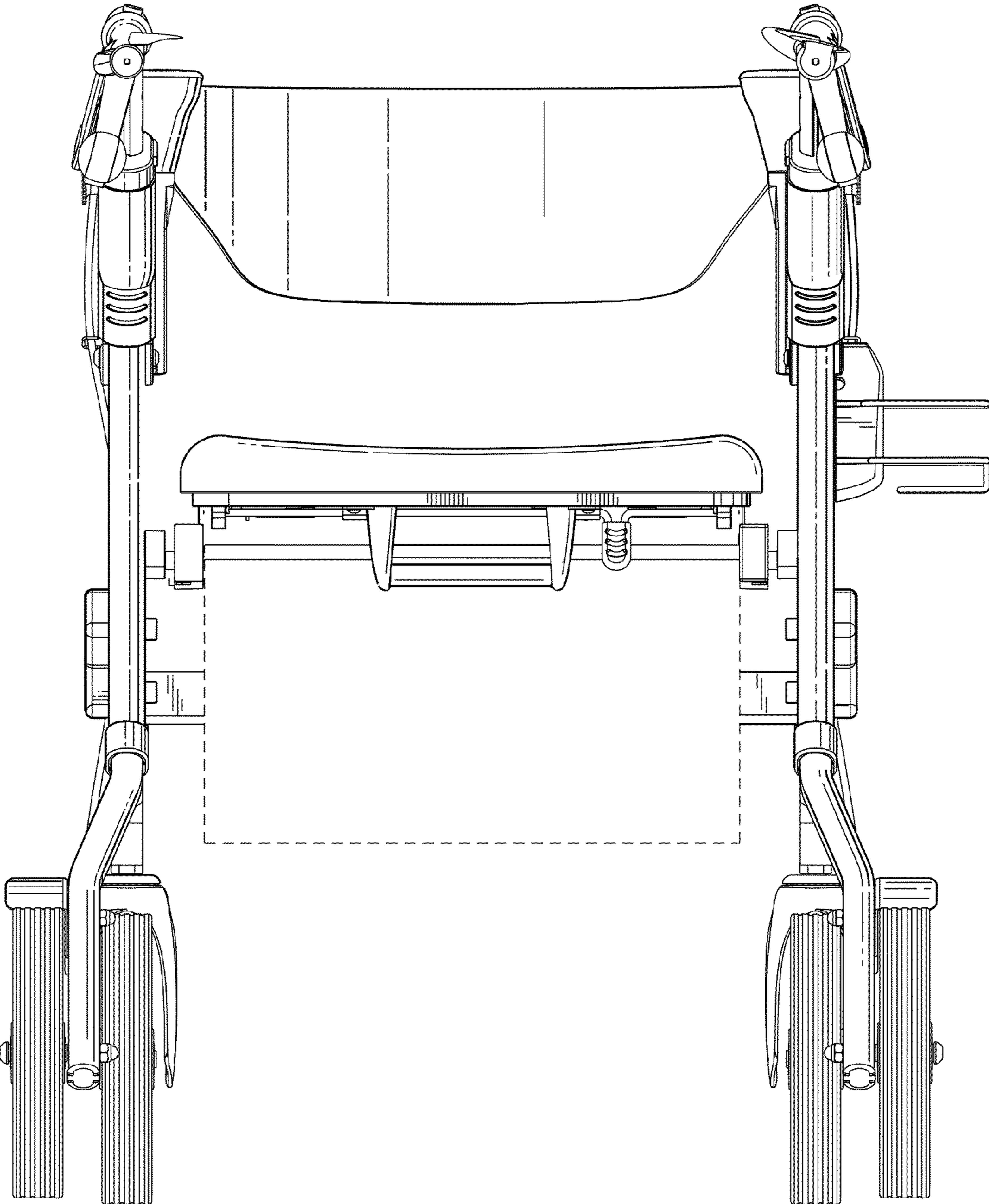


FIG. 7

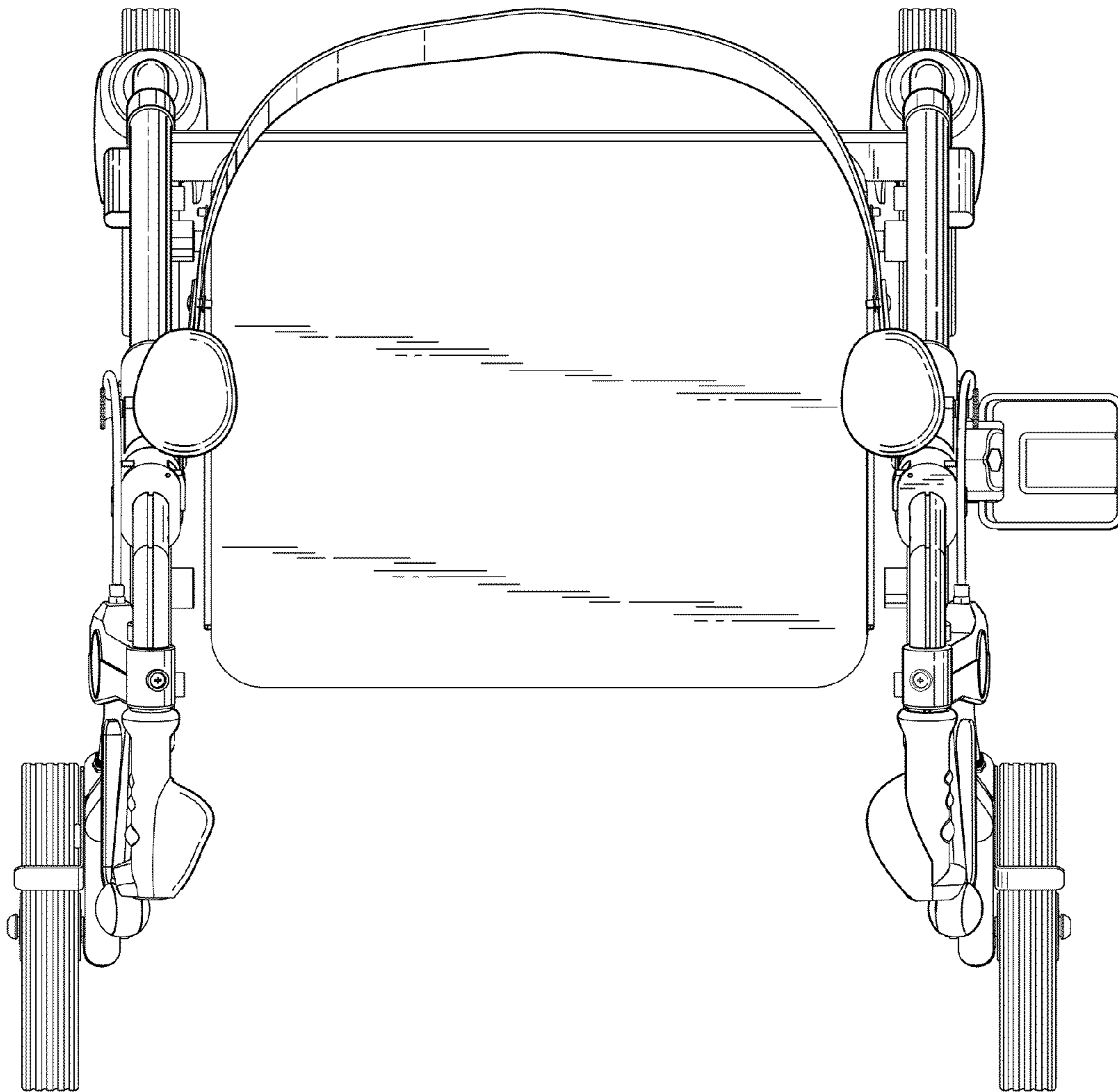


FIG. 8

