



US00D736115S

(12) **United States Design Patent**
Welch

(10) **Patent No.:** **US D736,115 S**

(45) **Date of Patent:** **** Aug. 11, 2015**

- (54) **CHILD CAR SEAT CHEST CLIP**
- (71) Applicant: **Alfonzo Welch**, Houston, TX (US)
- (72) Inventor: **Alfonzo Welch**, Houston, TX (US)
- (**) Term: **14 Years**
- (21) Appl. No.: **29/522,248**
- (22) Filed: **Mar. 29, 2015**
- (51) **LOC (10) Cl.** **02-01**
- (52) **U.S. Cl.**
USPC **D11/216**
- (58) **Field of Classification Search**
USPC D11/1-2, 200-201, 206-210, 214-218;
24/163 R, 169-171, 173, 177-179, 191,
24/194-195, 197, 200, 614-616, 625, 198,
24/630, 307; D8/349, 395; 455/404.2;
297/464, 484
CPC A44B 11/26; A44B 11/25; A44B 21/00
See application file for complete search history.

D535,214 S *	1/2007	Kolasa	D11/216
D536,640 S *	2/2007	Kawamura et al.	D11/216
7,252,342 B2 *	8/2007	Patrizi et al.	297/464
D552,014 S *	10/2007	Chen et al.	D11/216
D557,632 S *	12/2007	Lee	D11/216
D568,783 S *	5/2008	Yang et al.	D11/216
D568,789 S *	5/2008	Guichot	D11/218
D576,075 S *	9/2008	Freeman	D11/218
D591,200 S *	4/2009	Freeman	D11/218

(Continued)

Primary Examiner — Ralf Seifert

(74) *Attorney, Agent, or Firm* — Andrew Alia

(57) **CLAIM**

The ornamental design for a child car seat chest clip, as shown and described.

DESCRIPTION

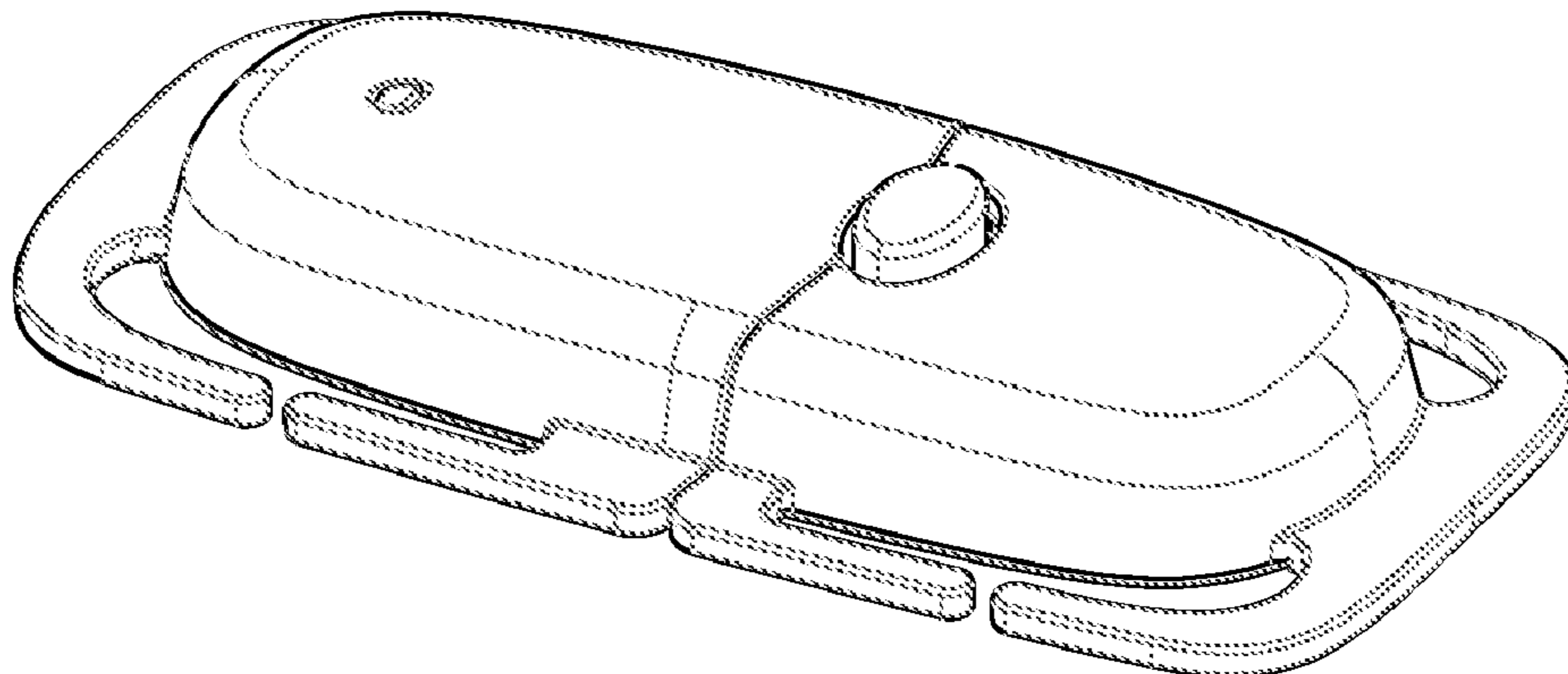
FIG. 1 is a perspective view of a first embodiment showing my new design of a child car seat chest clip in a closed position;
 FIG. 2 is a top plan view thereof;
 FIG. 3 is a bottom plan view thereof;
 FIG. 4 is a right side elevation view thereof;
 FIG. 5 is a left side elevation view thereof;
 FIG. 6 is a rear elevation view thereof;
 FIG. 7 is front elevation view thereof;
 FIG. 8 is a perspective view of the child car seat chest clip shown in an opened position;
 FIG. 9 is a top plan view of FIG. 8;
 FIG. 10 is a bottom plan view of FIG. 8;
 FIG. 11 is a right side elevation view of FIG. 8;
 FIG. 12 is a left side elevation view of FIG. 8; and,
 FIG. 13 is a perspective view of FIG. 1 shown in a position of use wherein the broken lines depicting environmental structures are for illustrative purposes only and do not form part of the claimed design.

1 Claim, 10 Drawing Sheets

(56) **References Cited**

U.S. PATENT DOCUMENTS

D204,260 S *	4/1966	Maskowitz	D11/220
5,084,946 A *	2/1992	Lee	24/625
D351,122 S *	10/1994	Janeke	D11/216
5,380,067 A *	1/1995	Turvill et al.	297/484
D389,426 S *	1/1998	Merrick et al.	D11/216
5,873,635 A *	2/1999	Merrick	297/484
D447,088 S *	8/2001	Anscher	D11/216
D447,979 S *	9/2001	Anscher	D11/216
D452,809 S *	1/2002	Yang et al.	D8/339
D454,092 S *	3/2002	Lindblad	D11/200
D455,101 S *	4/2002	Hamilton	D11/220
6,393,677 B1 *	5/2002	Anscher	24/630
D479,151 S *	9/2003	Hamilton	D11/216
6,662,413 B2 *	12/2003	Glover	24/615
D515,456 S *	2/2006	Gastaldi	D11/216
D519,411 S *	4/2006	Yoshiguchi	D11/218



(56)

References Cited

U.S. PATENT DOCUMENTS

D614,996 S * 5/2010 Huang D11/216
D632,214 S * 2/2011 Buscart D11/216
D633,415 S * 3/2011 Grimm et al. D11/218

8,768,292 B2 7/2014 Welch
D718,186 S * 11/2014 Iannello et al. D11/218
D724,484 S * 3/2015 Swan et al. D11/218
8,974,005 B2 * 3/2015 Mason et al. 297/484
8,991,867 B2 * 3/2015 Longenecker et al. 280/808

* cited by examiner

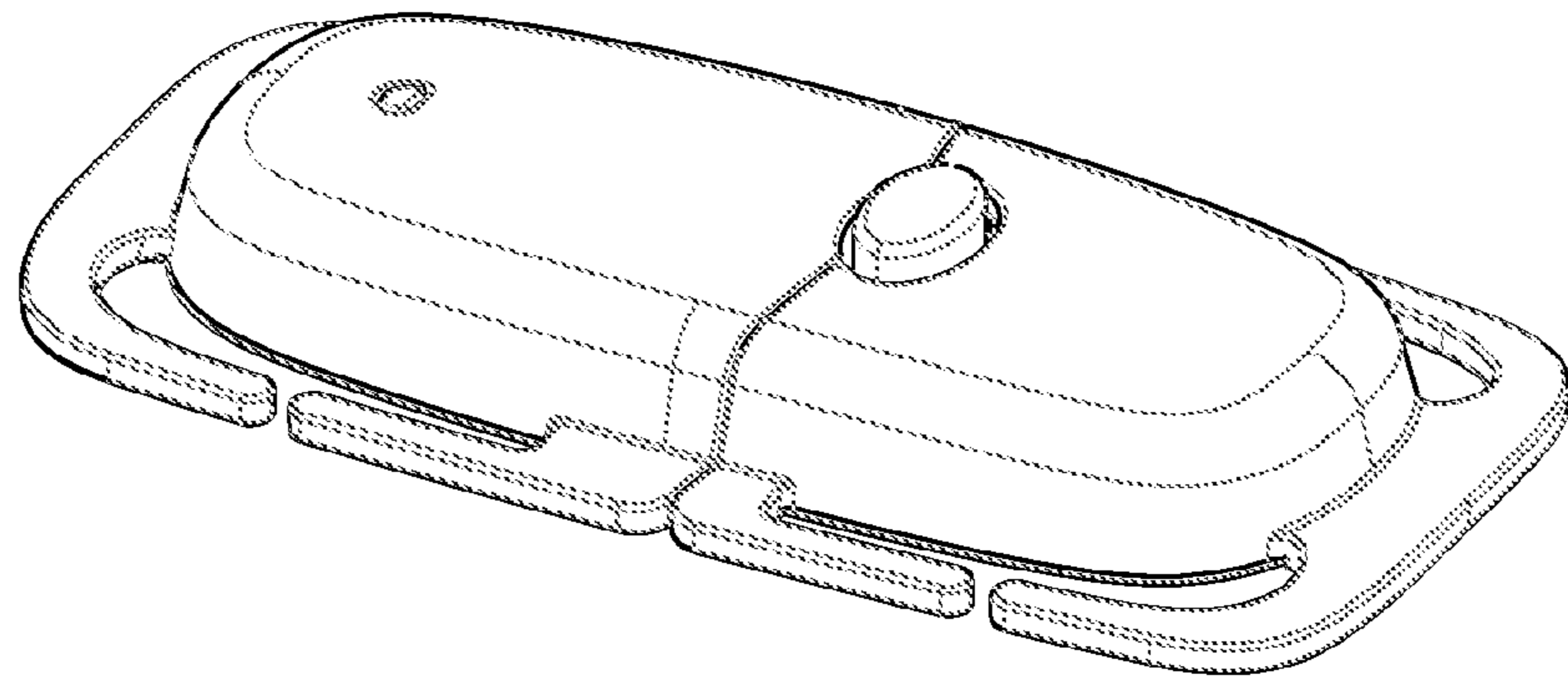


FIG. 1

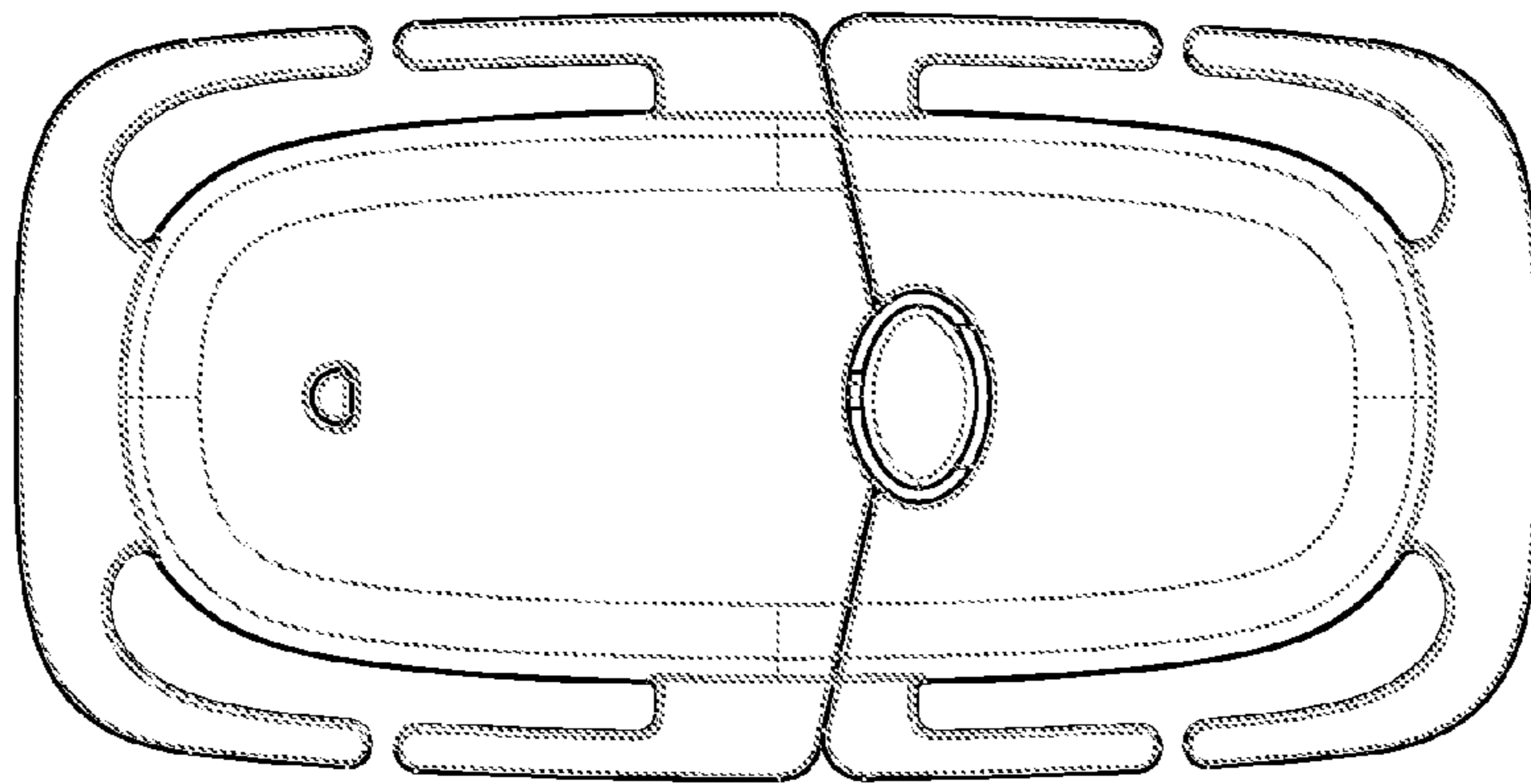


FIG. 2

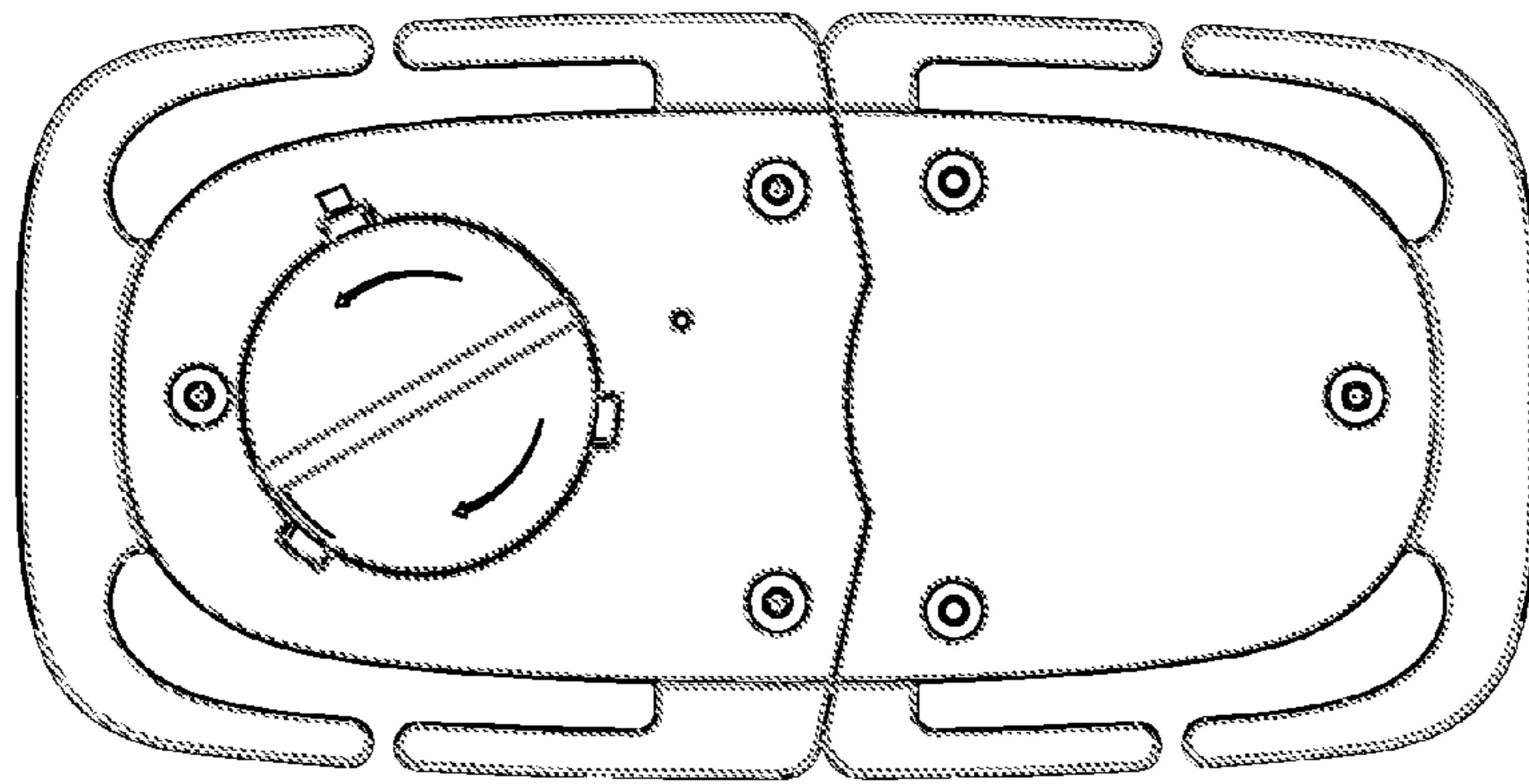


FIG. 3

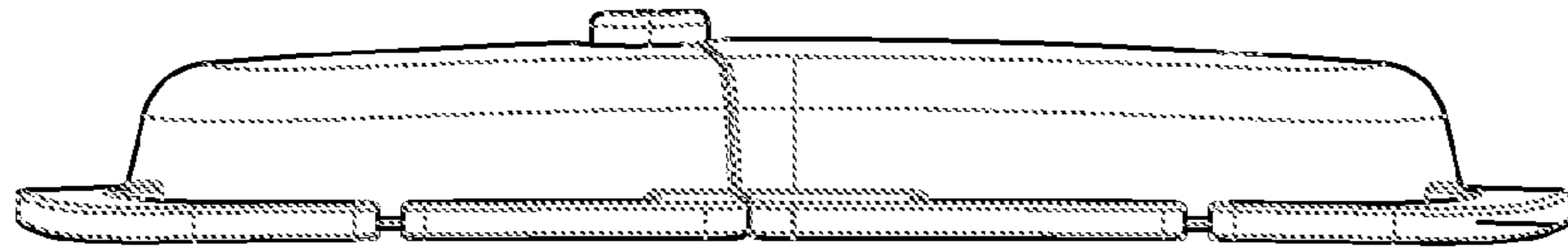


FIG. 4

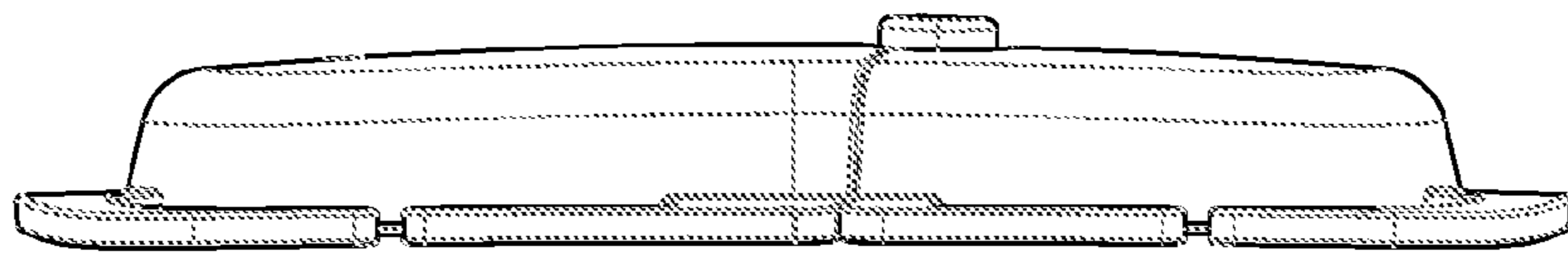


FIG. 5

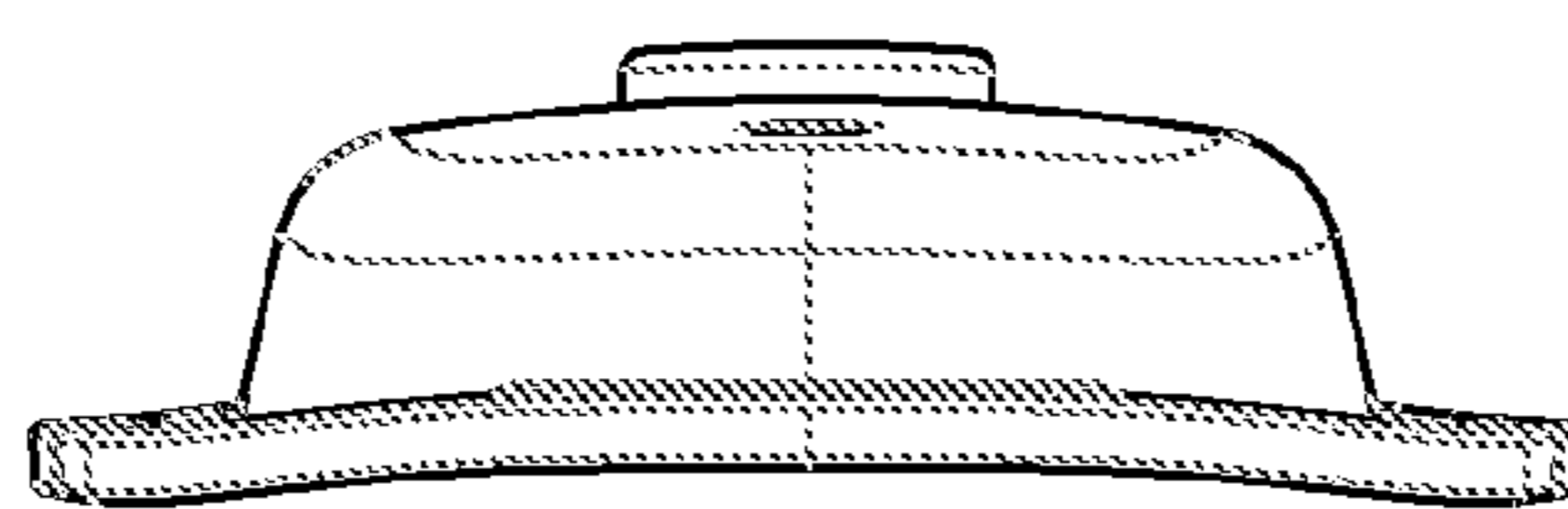


FIG. 6

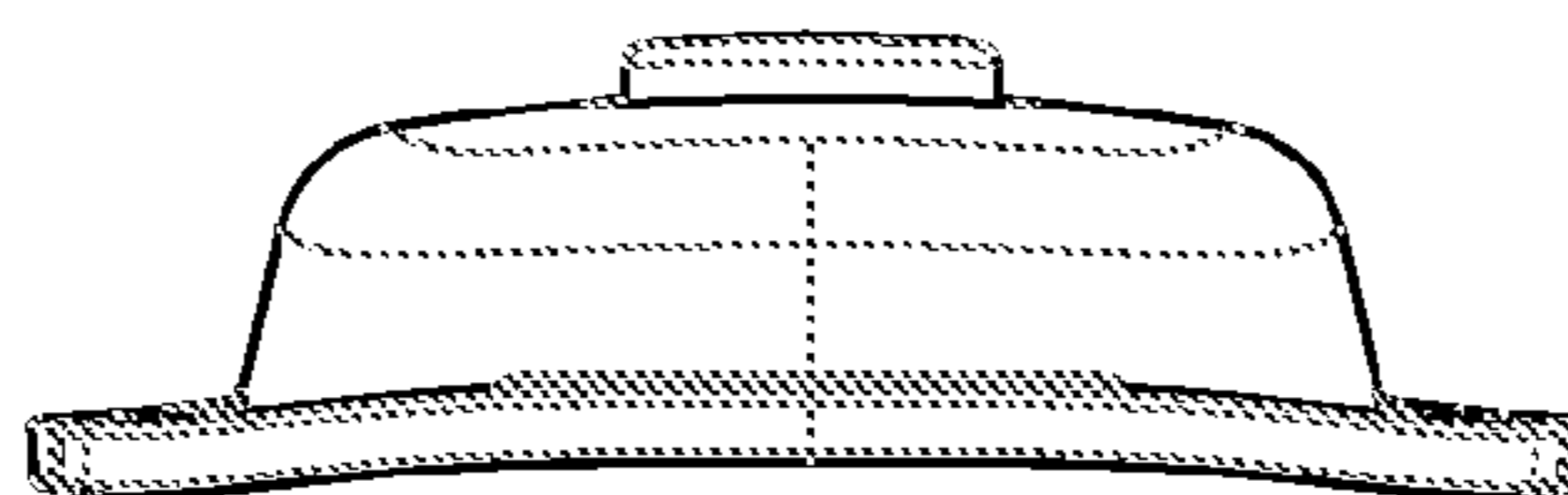


FIG. 7

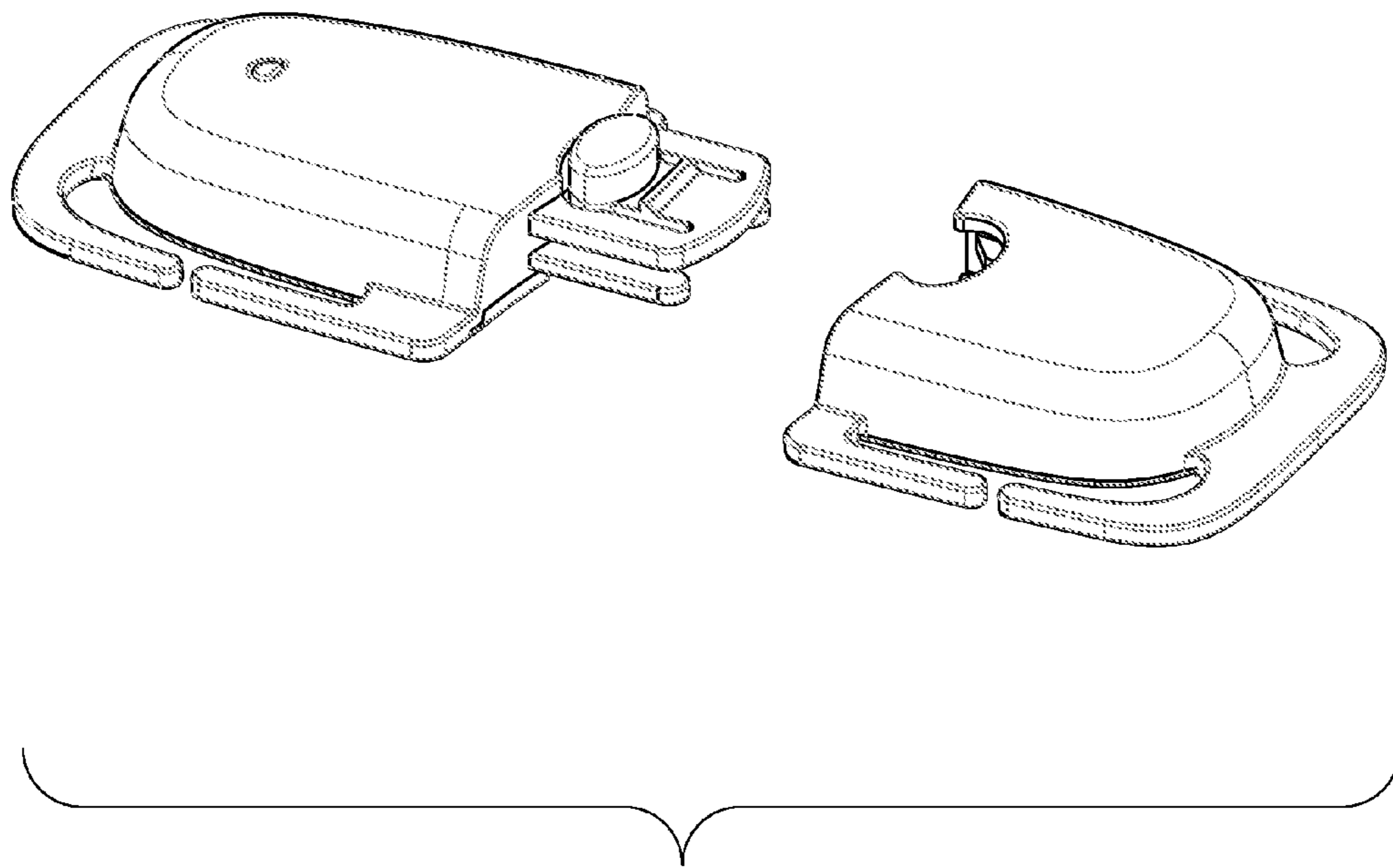


FIG. 8

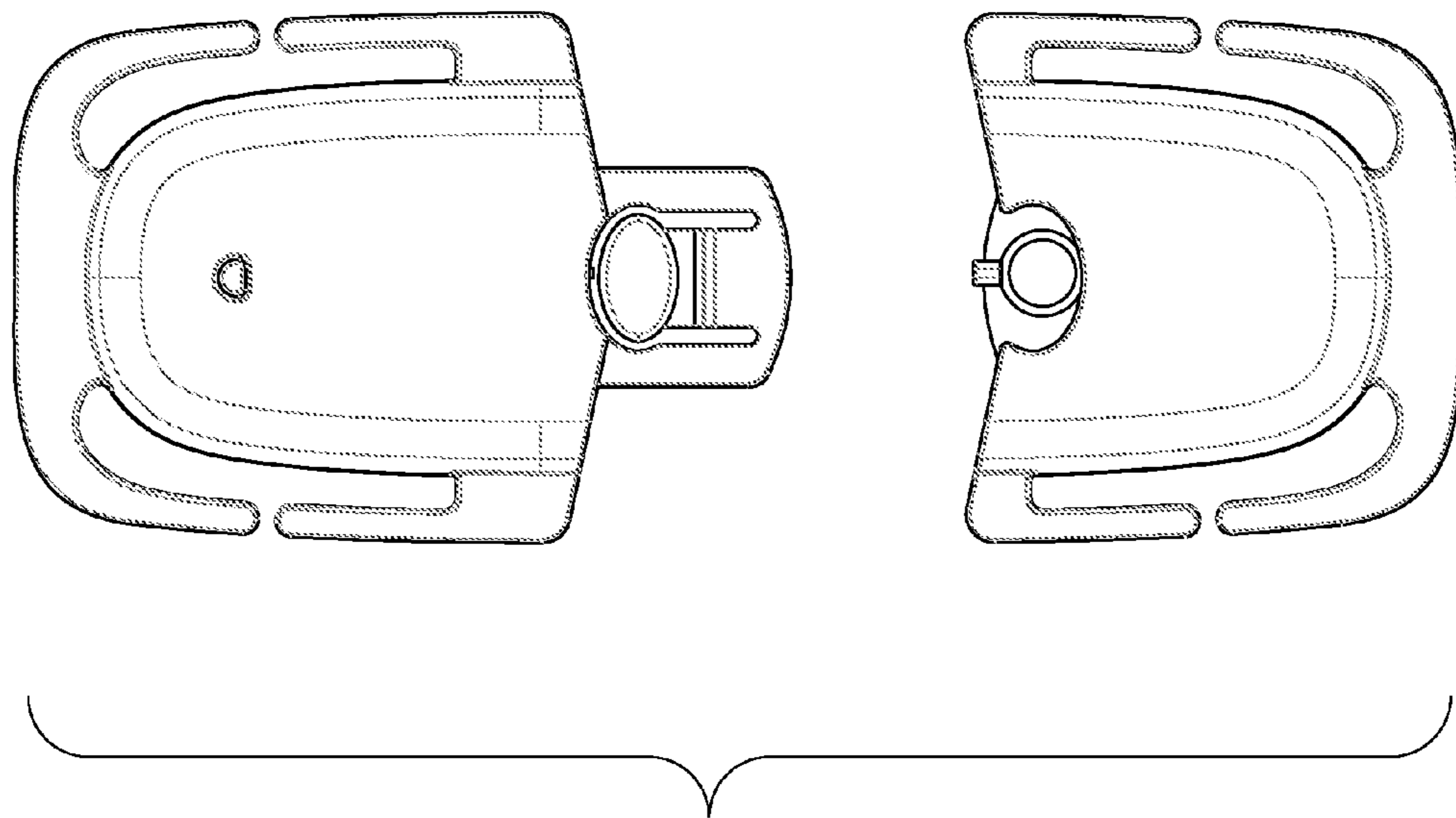


FIG. 9

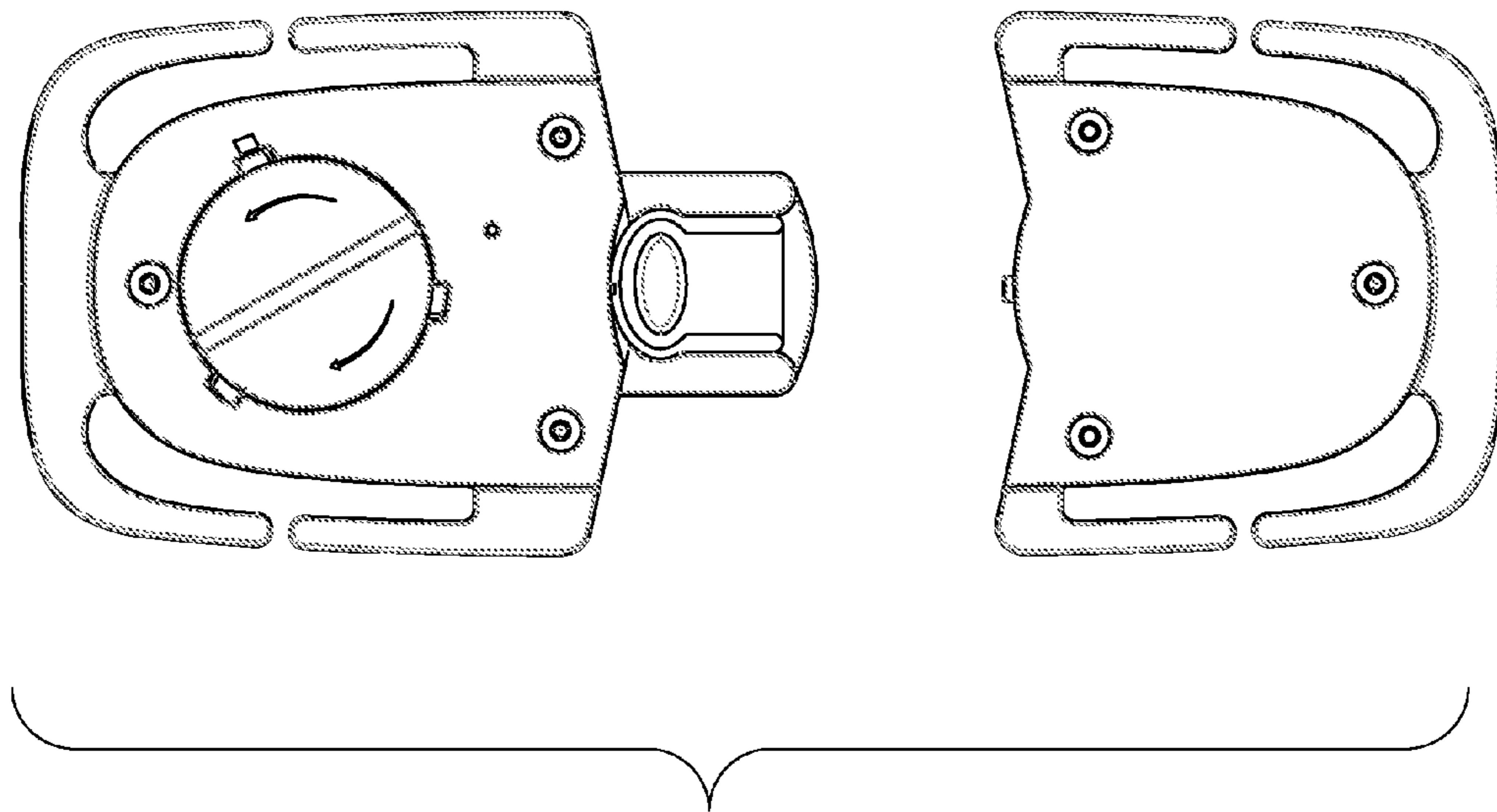


FIG. 10

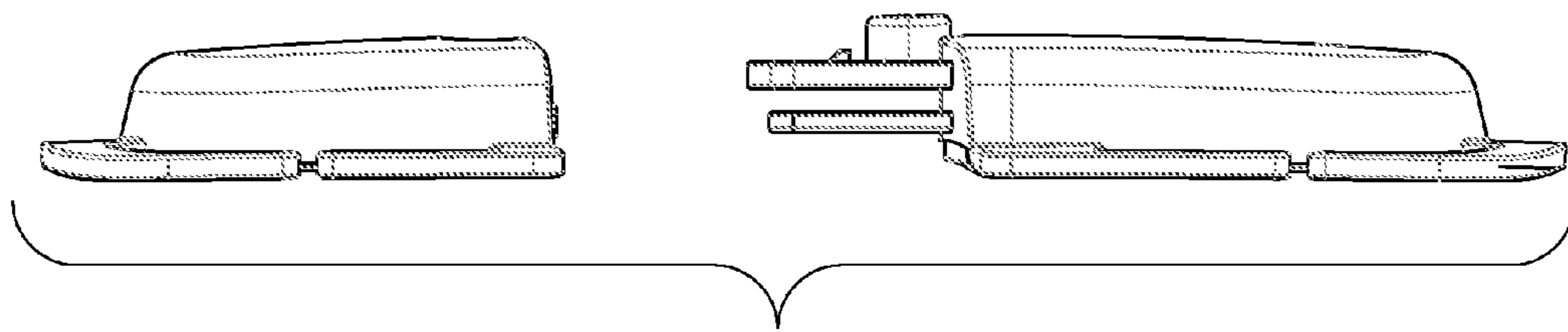


FIG. 11

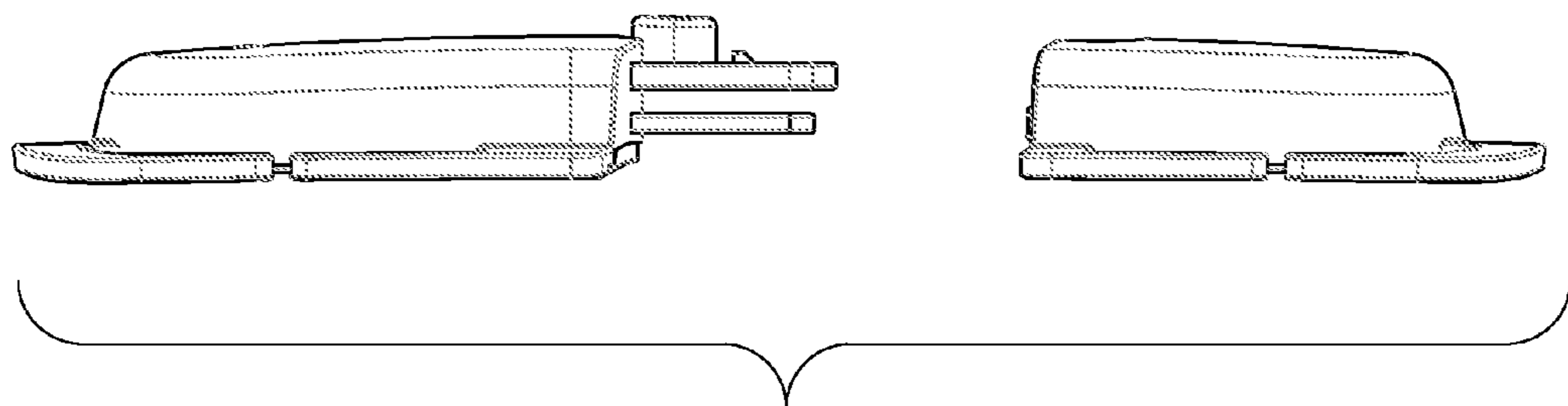


FIG. 12

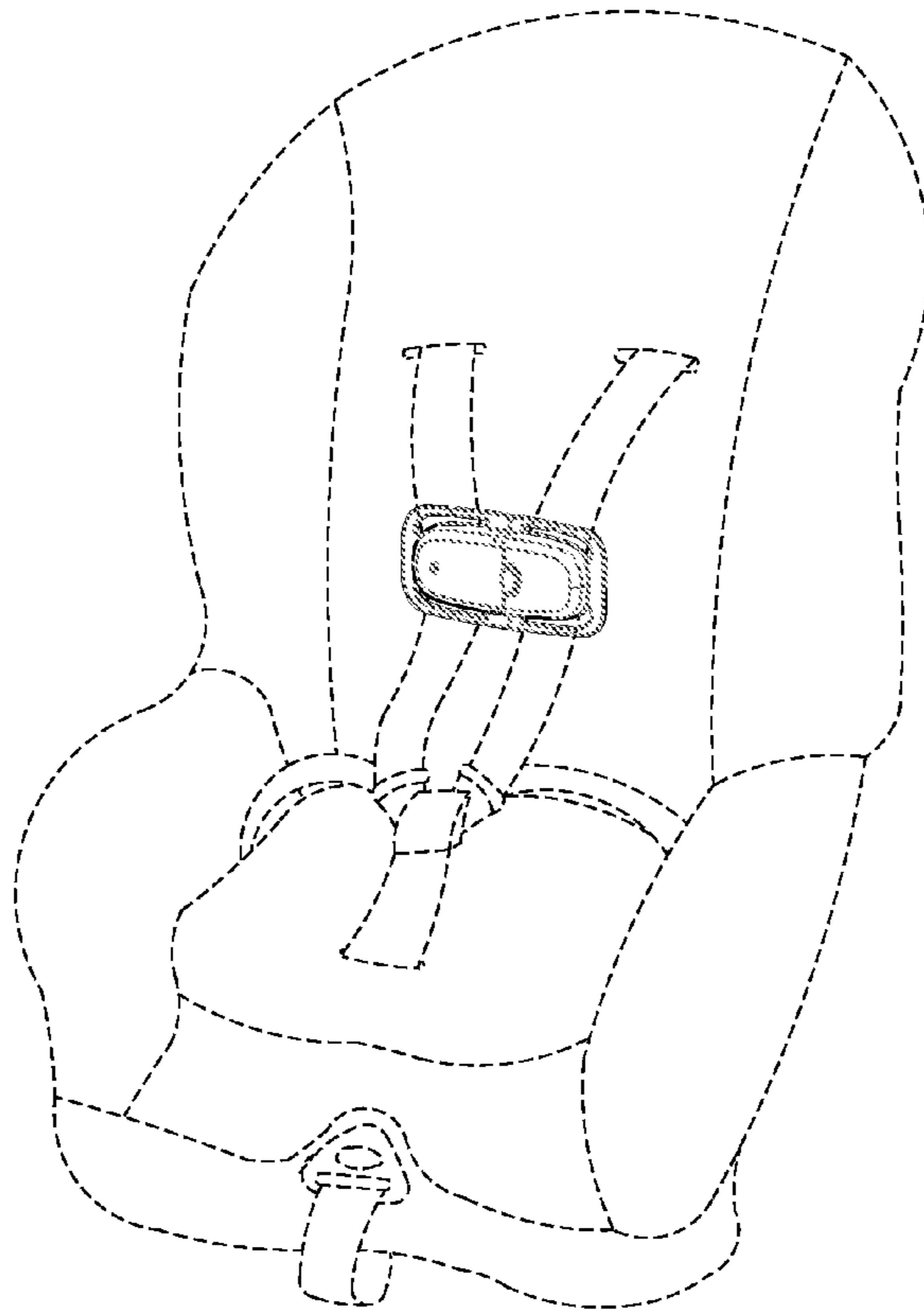


FIG. 13