



US00D736113S

(12) **United States Design Patent**
Santagada

(10) **Patent No.:** **US D736,113 S**

(45) **Date of Patent:** **** Aug. 11, 2015**

(54) **UNIVERSAL CHAIN CLASP**

(71) Applicant: **Elaine Carmel Santagada**, Rutherford,
NJ (US)

(72) Inventor: **Elaine Carmel Santagada**, Rutherford,
NJ (US)

(**) Term: **14 Years**

(21) Appl. No.: **29/499,823**

(22) Filed: **Aug. 19, 2014**

(51) **LOC (10) Cl.** **11-01**

(52) **U.S. Cl.**
USPC **D11/87**

(58) **Field of Classification Search**
USPC D11/1-2, 7, 40-44, 46-49, 53, 56, 57,
D11/59-61, 63, 65, 79-83, 86-87, 89-90,
D11/91-92, 99, 101, 106, 114-116,
D11/200-201; 63/18-20
CPC A44C 5/02-5/246
See application file for complete search history.

(56) **References Cited**

U.S. PATENT DOCUMENTS

4,107,823 A * 8/1978 Sieto 24/3.6
D458,096 S * 6/2002 Rosenbaum D8/14

6,848,270 B2 * 2/2005 White 63/3.1
D522,906 S * 6/2006 Siggins D11/87
D528,938 S * 9/2006 Pongonis D11/86
7,308,922 B2 * 12/2007 Stein 150/106
D716,684 S * 11/2014 Hasbany D11/87
D720,128 S * 12/2014 Fong et al. D3/207

* cited by examiner

Primary Examiner — Zenia Bennett

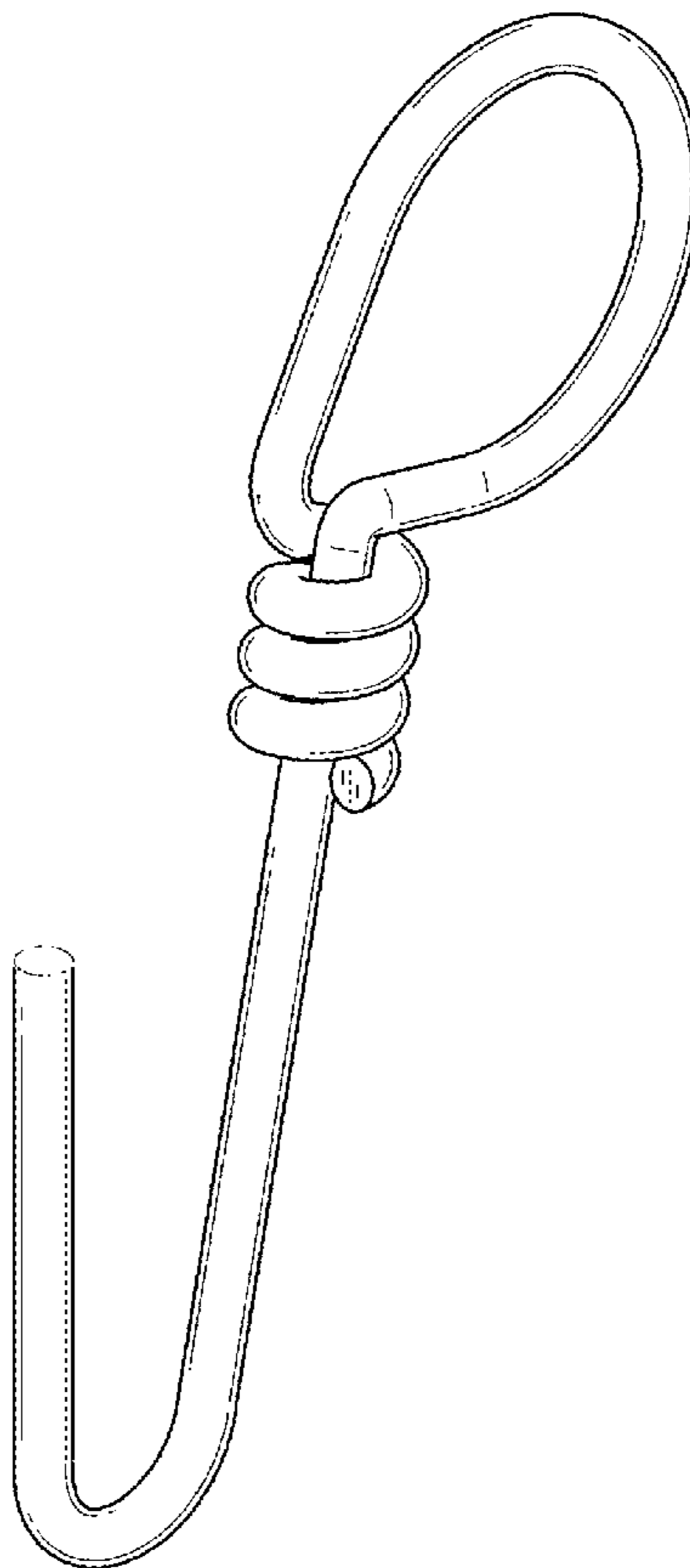
(57) **CLAIM**

The ornamental design for a universal chain clasp, as shown and described.

DESCRIPTION

FIG. 1 is a perspective front view of a universal chain clasp; FIG. 2 is a front elevation view of the universal chain clasp; FIG. 3 is a rear elevation view of the universal chain clasp; FIG. 4 is a left side elevation view of the universal chain clasp; FIG. 5 is a right side elevation view of the universal chain clasp; FIG. 6 is a top plan view of the universal chain clasp; FIG. 7 is a bottom plan view of the universal chain clasp; FIG. 8 is a perspective front view of the universal chain clasp; and, FIG. 9 is a perspective front view of the universal chain clasp. The broken lines shown in the drawings illustrate portions of the universal chain clasp that form no part of claimed design.

1 Claim, 4 Drawing Sheets



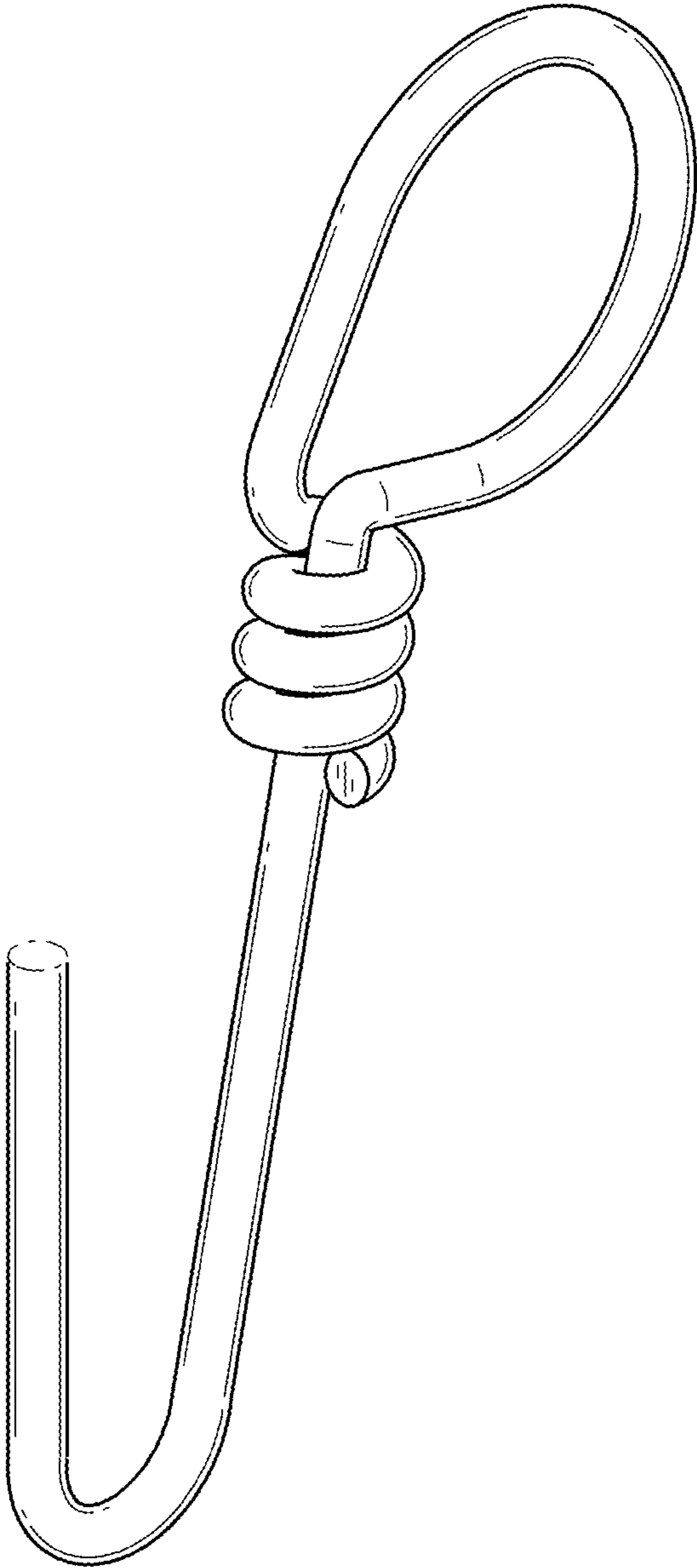


FIG. 1

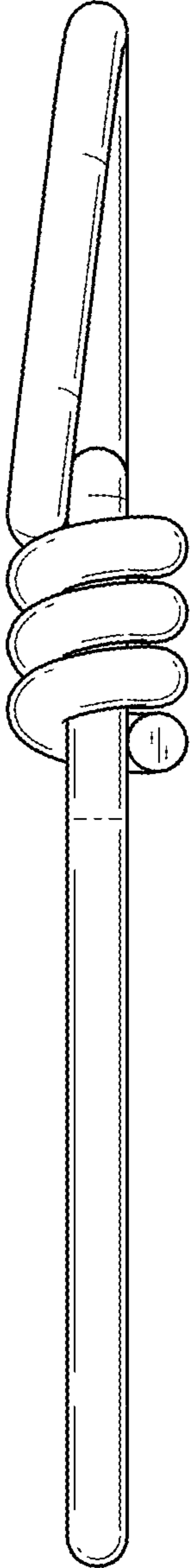


FIG. 2

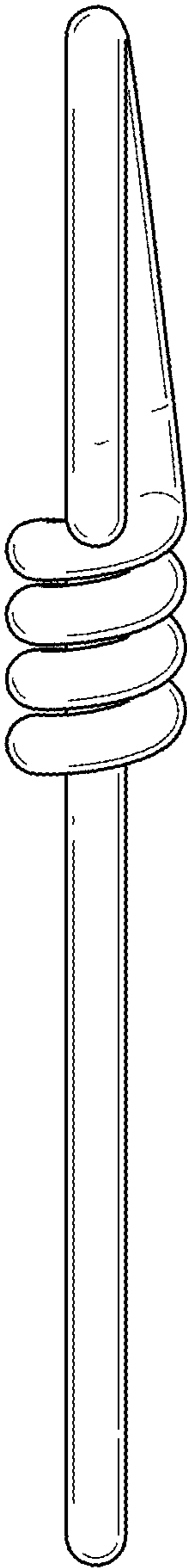


FIG. 3

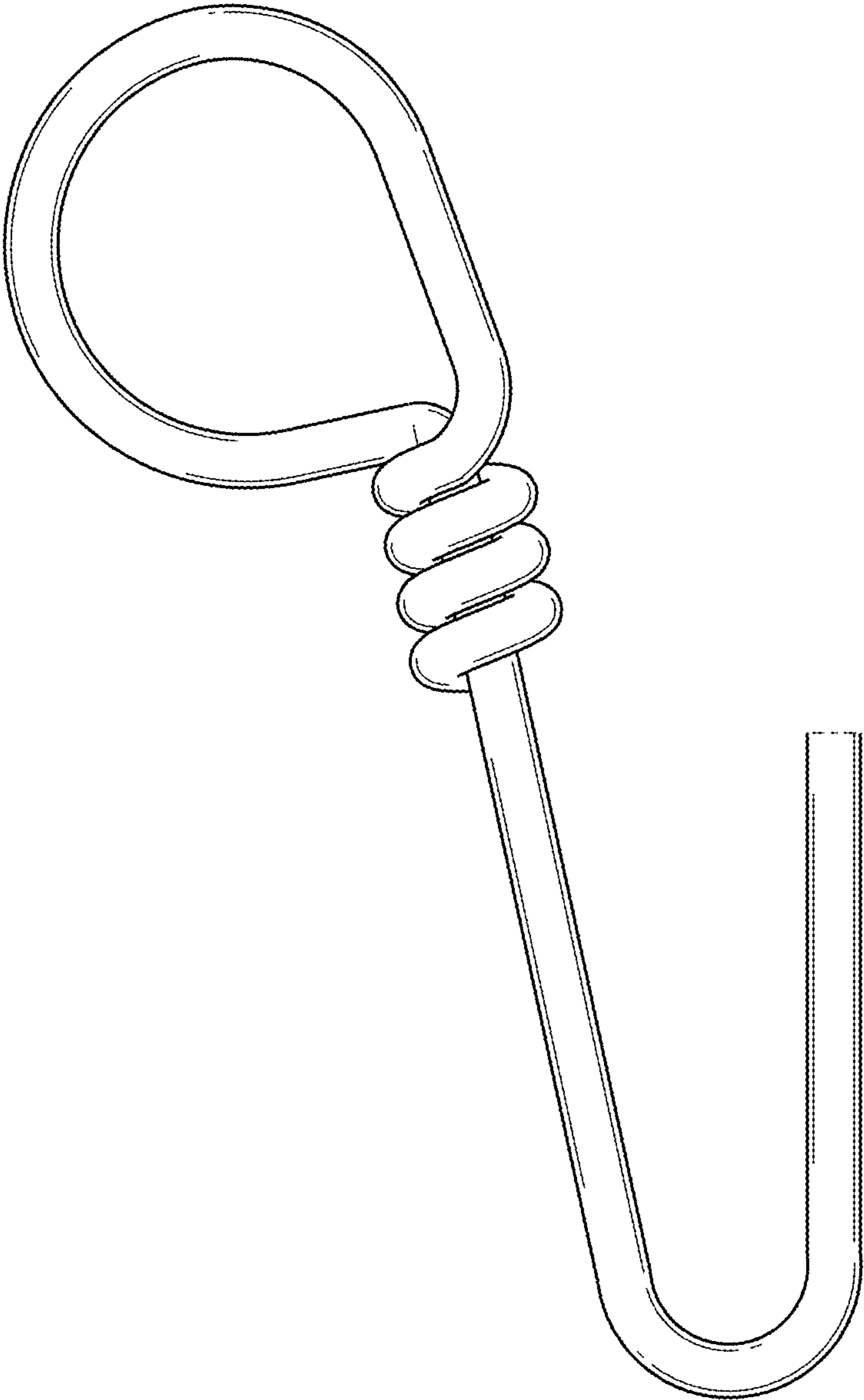


FIG. 4

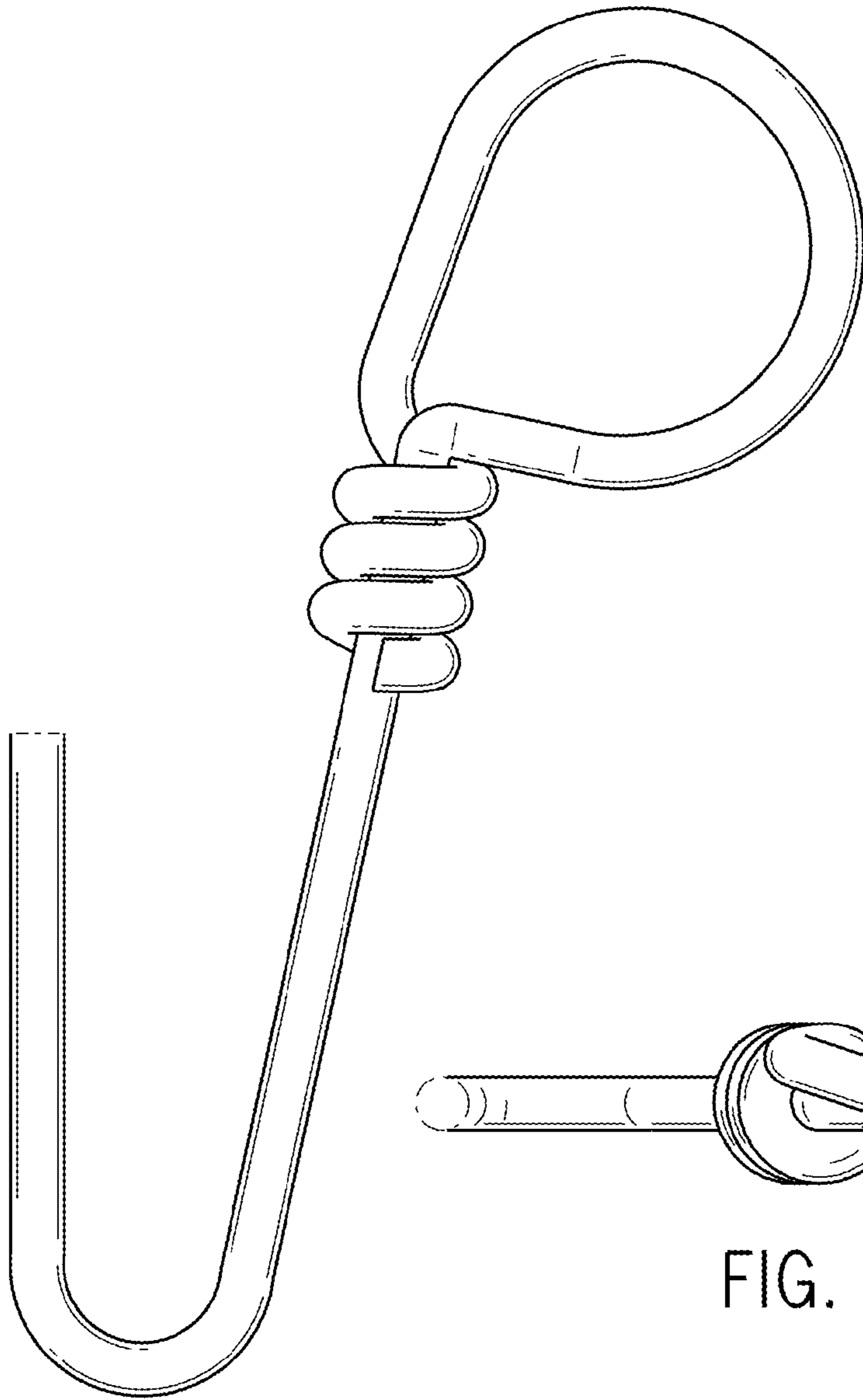


FIG. 5

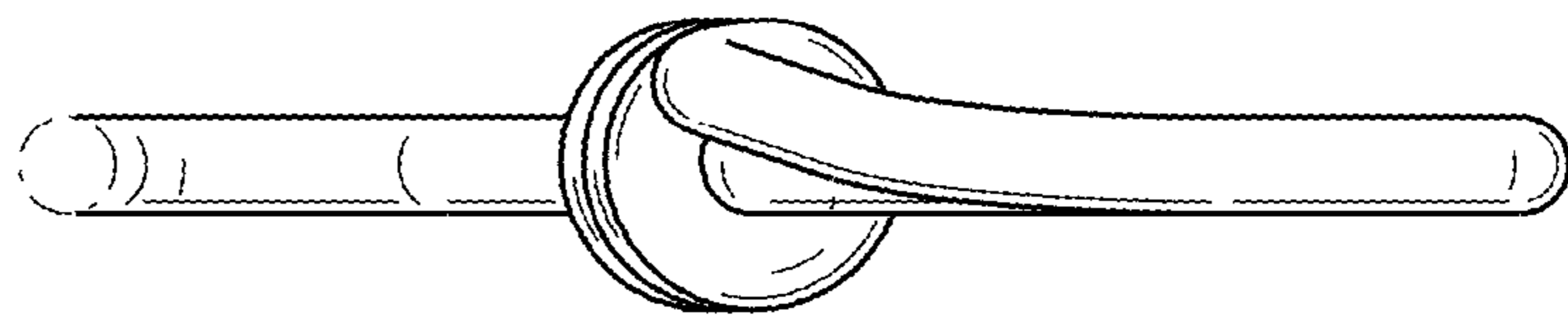


FIG. 6

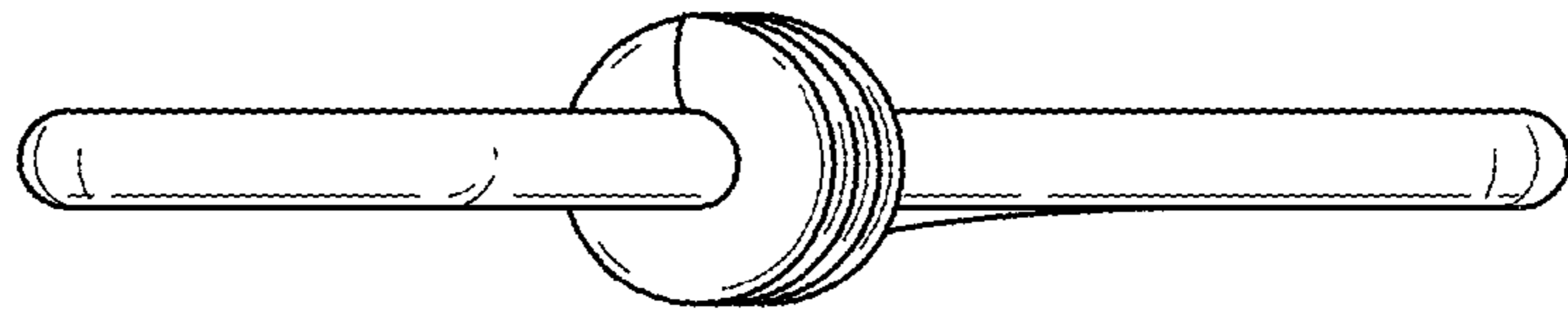


FIG. 7

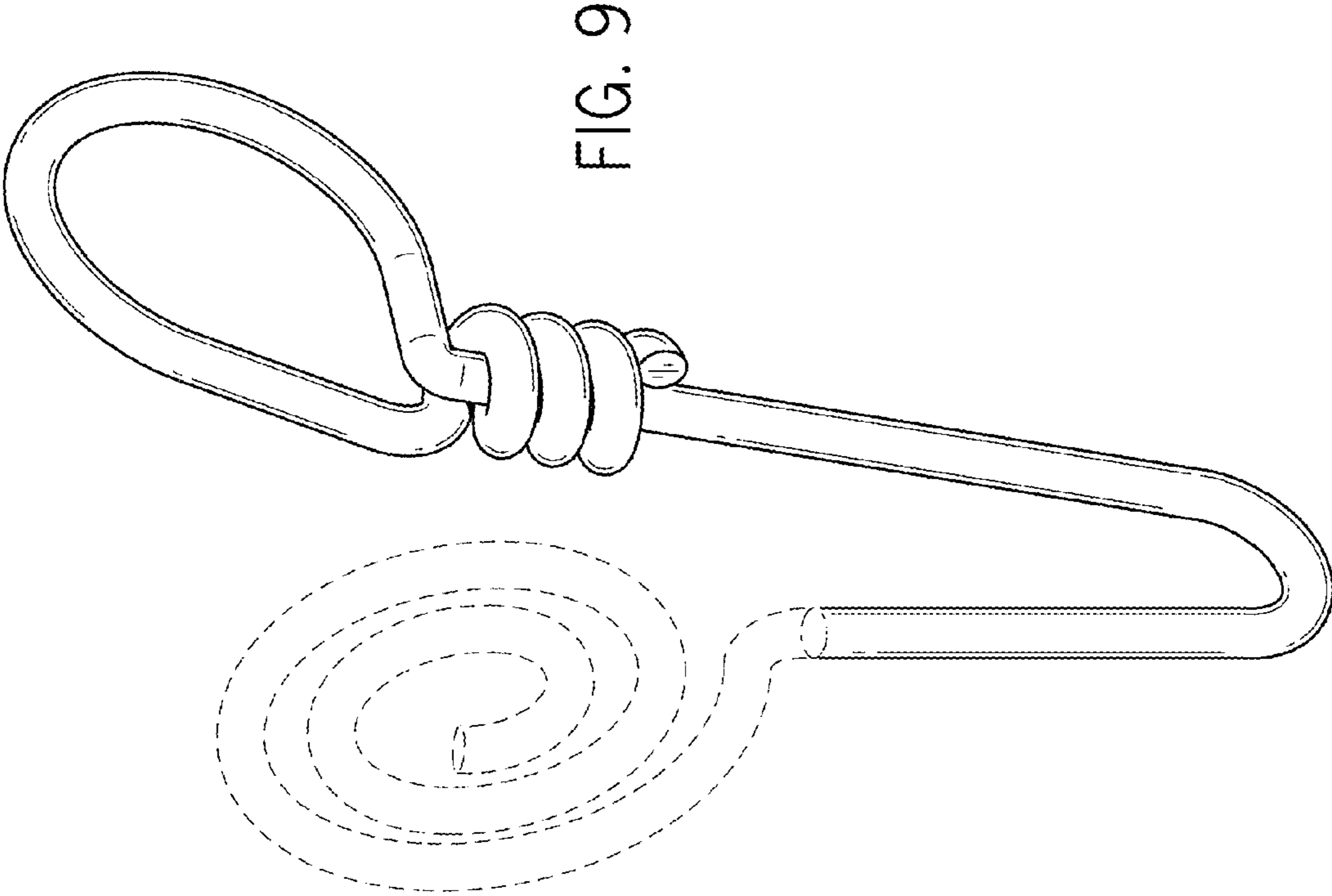


FIG. 9

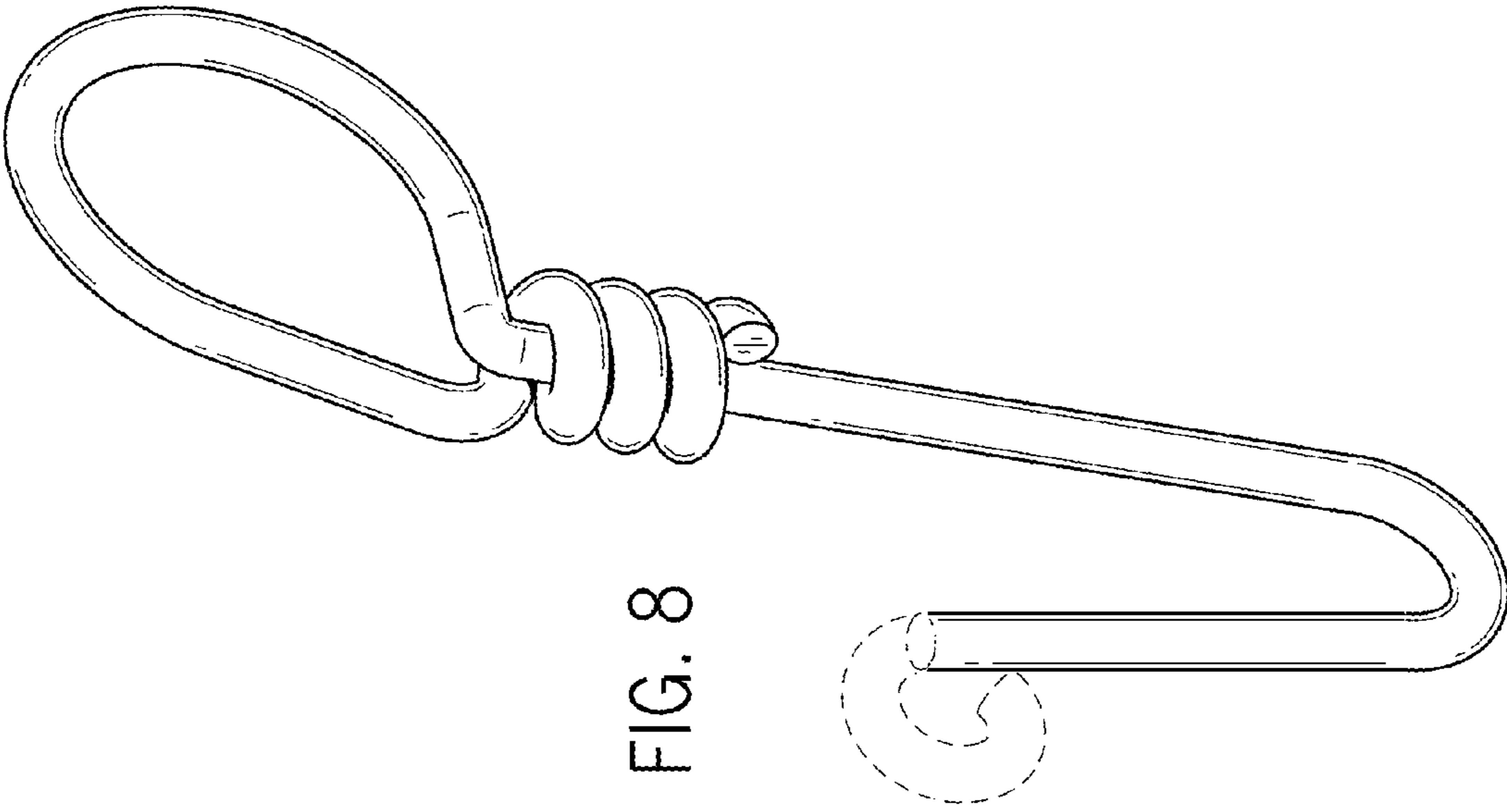


FIG. 8