



US00D736108S

(12) **United States Design Patent**
Cha

(10) **Patent No.:** **US D736,108 S**

(45) **Date of Patent:** **** Aug. 11, 2015**

(54) **PORTABLE HEIGHT MEASURING DEVICE**

Primary Examiner — Antoine D Davis

(71) Applicant: **InBody Co., Ltd.**, Seoul (KR)

(74) *Attorney, Agent, or Firm* — Marshall, Gerstein & Borun LLP

(72) Inventor: **Ki Chul Cha**, Seoul (KR)

(73) Assignee: **InBody Co., Ltd.**, Seoul (KR)

(**) Term: **14 Years**

(21) Appl. No.: **29/511,065**

(22) Filed: **Dec. 5, 2014**

(30) **Foreign Application Priority Data**

Sep. 30, 2014 (KR) 30-2014-0047180

(51) **LOC (10) Cl.** **10-04**

(52) **U.S. Cl.**
USPC **D10/70**

(58) **Field of Classification Search**
USPC D10/70
CPC A61B 5/1072; G01B 3/28; G01B 3/205;
G01S 15/08; G01S 15/88; G01S 7/64; G01S
15/521; Y10S 367/91
See application file for complete search history.

(56) **References Cited**

U.S. PATENT DOCUMENTS

7,006,405 B1 * 2/2006 Huang 367/107
2005/0007878 A1 * 1/2005 Chen 367/99
2007/0022620 A1 * 2/2007 Batora 33/836

* cited by examiner

(57) **CLAIM**

The ornamental design for a portable height measuring device, as shown and described.

DESCRIPTION

FIG. 1 is a front perspective view showing a new design for a portable height measuring device;

FIG. 2 is a front view of the portable height measuring device of FIG. 1;

FIG. 3 is a rear view of the portable height measuring device of FIG. 1;

FIG. 4 is a left side view of the portable height measuring device of FIG. 1;

FIG. 5 is a right side view of the portable height measuring device of FIG. 1;

FIG. 6 is a top plan view of the portable height measuring device of FIG. 1; and,

FIG. 7 is a bottom plan view of the portable height measuring device of FIG. 1.

The broken lines define the boundary of an opening that forms no part of the claim design.

1 Claim, 3 Drawing Sheets

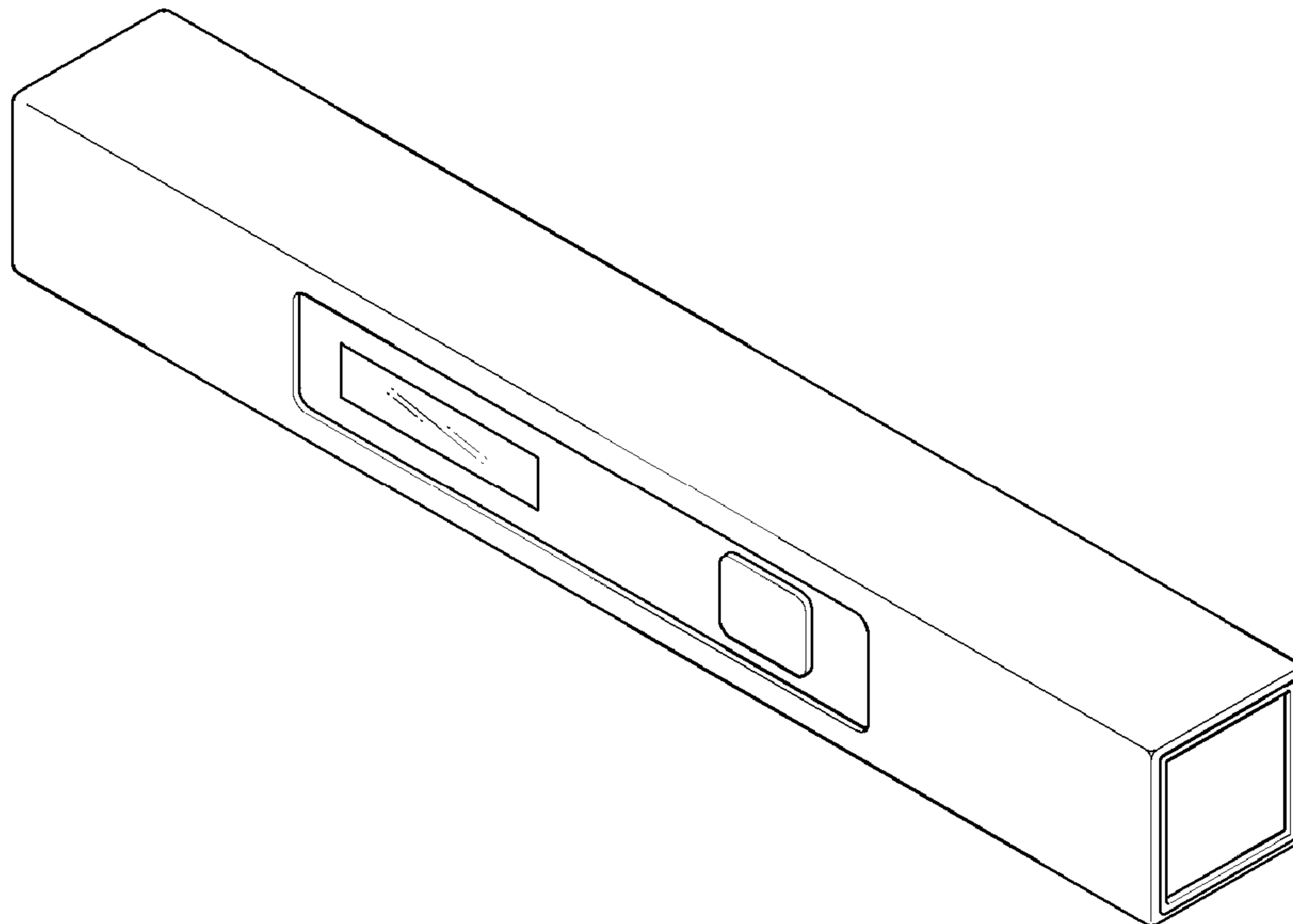


FIG. 1

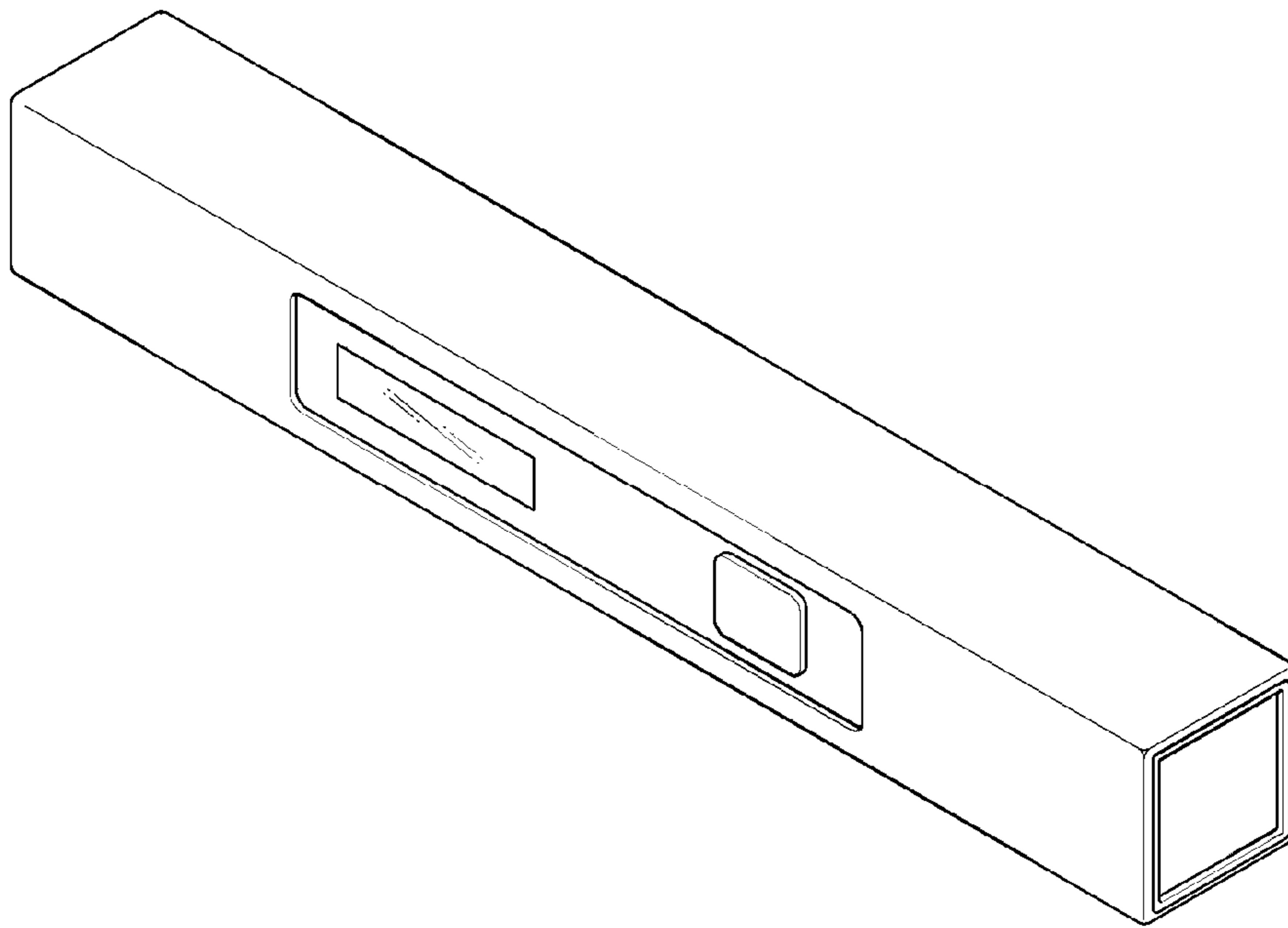


FIG. 2

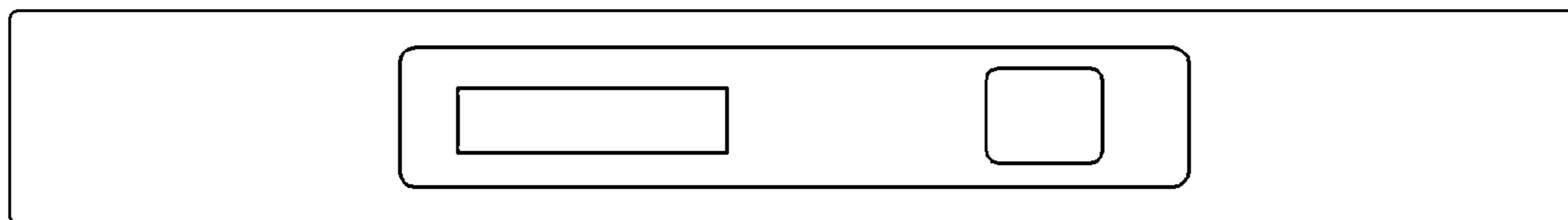


FIG. 3



FIG. 4

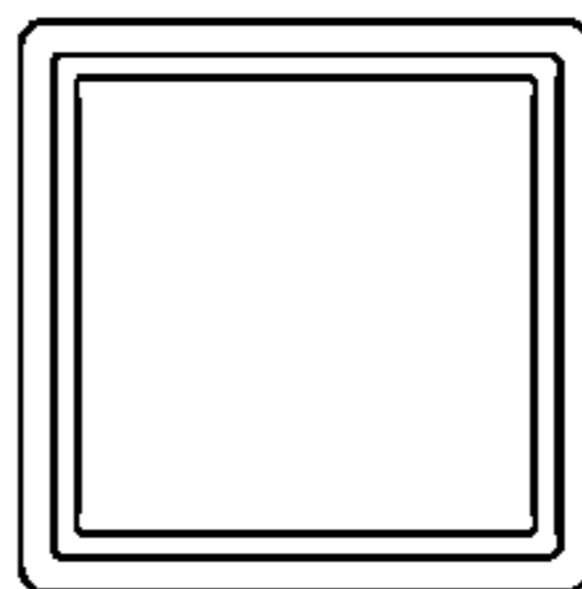


FIG. 5

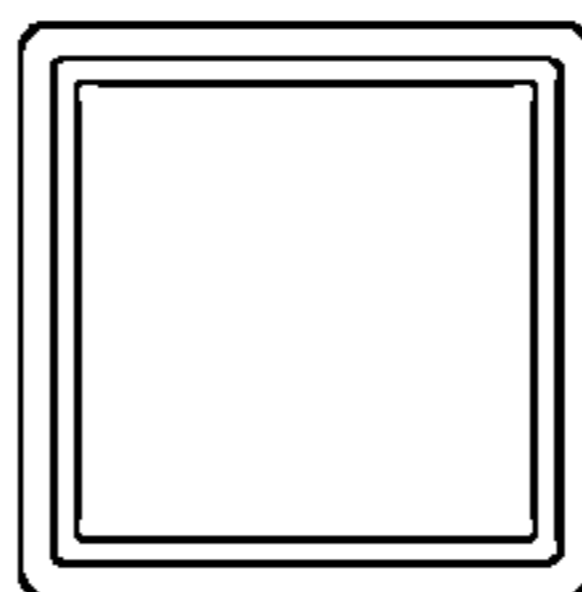


FIG. 6

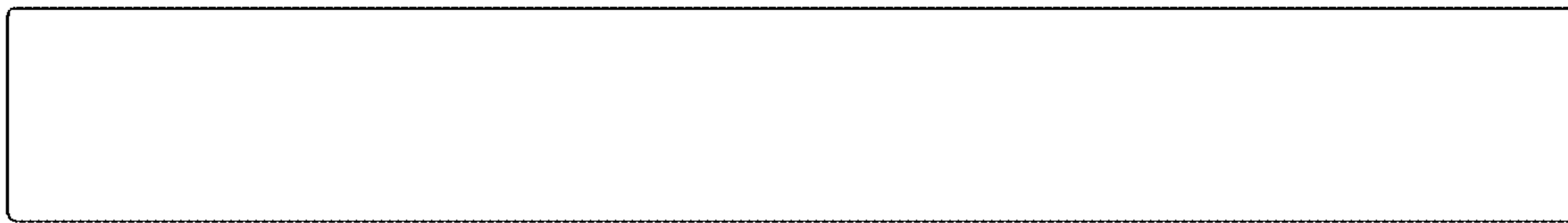


FIG. 7

