



US00D736105S

(12) **United States Design Patent**
Hoyt

(10) **Patent No.:** **US D736,105 S**

(45) **Date of Patent:** **** Aug. 11, 2015**

(54) **TEMPLATE**

(71) Applicant: **Jeffrey C. Hoyt**, Barton (CA)

(72) Inventor: **Jeffrey C. Hoyt**, Barton (CA)

(**) Term: **14 Years**

(21) Appl. No.: **29/466,481**

(22) Filed: **Sep. 9, 2013**

(51) **LOC (10) Cl.** **10-04**

(52) **U.S. Cl.**
USPC **D10/64**

(58) **Field of Classification Search**

USPC D8/14, 45, 98–101, 354, 364, 400–499;
D25/156, 151, 138, 140, 199;
D23/206, 499; D9/414, 430–432;
D13/123, 133, 138.1, 139.1, 139.2,
D13/139.3, 139.4, 139.5, 139.6, 139.7,
D13/139.8, 146, 152, 154, 158–160, 173,
D13/177, 184, 199; D10/61, 64; 408/13, 26,
408/241 R, 241 G; 33/528, 562, 565, 566;
269/1

CPC H02G 1/00; H02G 3/126; H02G 3/12;
H02G 3/00; B23Q 35/42; B25H 1/0078;
B43L 13/205; B26B 29/06; G01B 3/00;
G01B 3/14

See application file for complete search history.

(56) **References Cited**

U.S. PATENT DOCUMENTS

D35,071 S * 9/1901 Hammann D13/199
D52,805 S * 12/1918 Nickerson D13/152
1,392,360 A * 10/1921 Searle 269/1
1,454,722 A * 5/1923 Boutin 220/3.9
D130,643 S * 12/1941 Hose D13/146
2,733,513 A * 2/1956 Gatineau 33/528
2,775,812 A * 1/1957 Mohr 29/407.1
2,830,662 A * 4/1958 Marcum 30/358
2,887,776 A * 5/1959 Eisner 33/528
2,992,490 A * 7/1961 Hay et al. 33/528

3,176,869 A * 4/1965 Kinney 220/3.9
D205,722 S * 9/1966 Sunley D10/64
D215,722 S * 10/1969 Winston et al. D13/146
3,823,754 A * 7/1974 Nix 144/372
3,842,320 A * 10/1974 Kiesling 361/837
3,863,037 A * 1/1975 Schindler et al. 174/58
3,888,013 A * 6/1975 Benoit 33/528
D242,903 S * 1/1977 Benoit D10/64
4,059,905 A * 11/1977 Wieting 33/528
D263,822 S * 4/1982 Smith D13/160
4,793,069 A * 12/1988 McDowell 33/528
5,040,304 A * 8/1991 Jackson 33/528
5,143,490 A * 9/1992 Kopras 408/26
D340,761 S * 10/1993 Long D23/206
D342,235 S * 12/1993 Shotey D13/156

(Continued)

Primary Examiner — Susan Bennett Hattan

Assistant Examiner — Marie Fast Horse

(74) *Attorney, Agent, or Firm* — James Ray & Assoc.

(57) **CLAIM**

The ornamental design for a template, as shown and described.

DESCRIPTION

FIG. 1 is a front isometric view of a template showing my new design.

FIG. 2 is a rear isometric view of the template of FIG. 1.

FIG. 3 is a top plan view of the template in FIG. 1.

FIG. 4 is a bottom plan view of the template in FIG. 1.

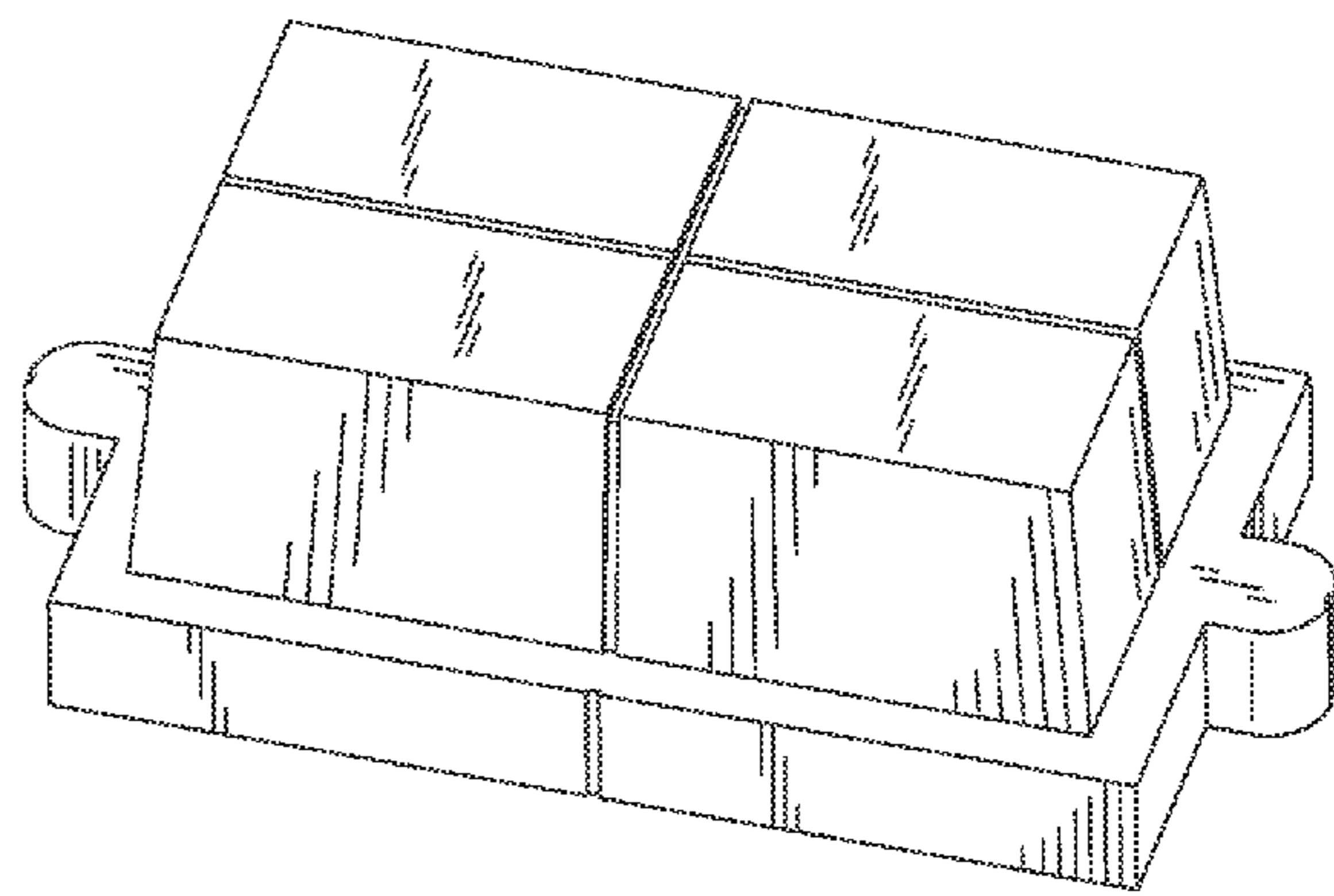
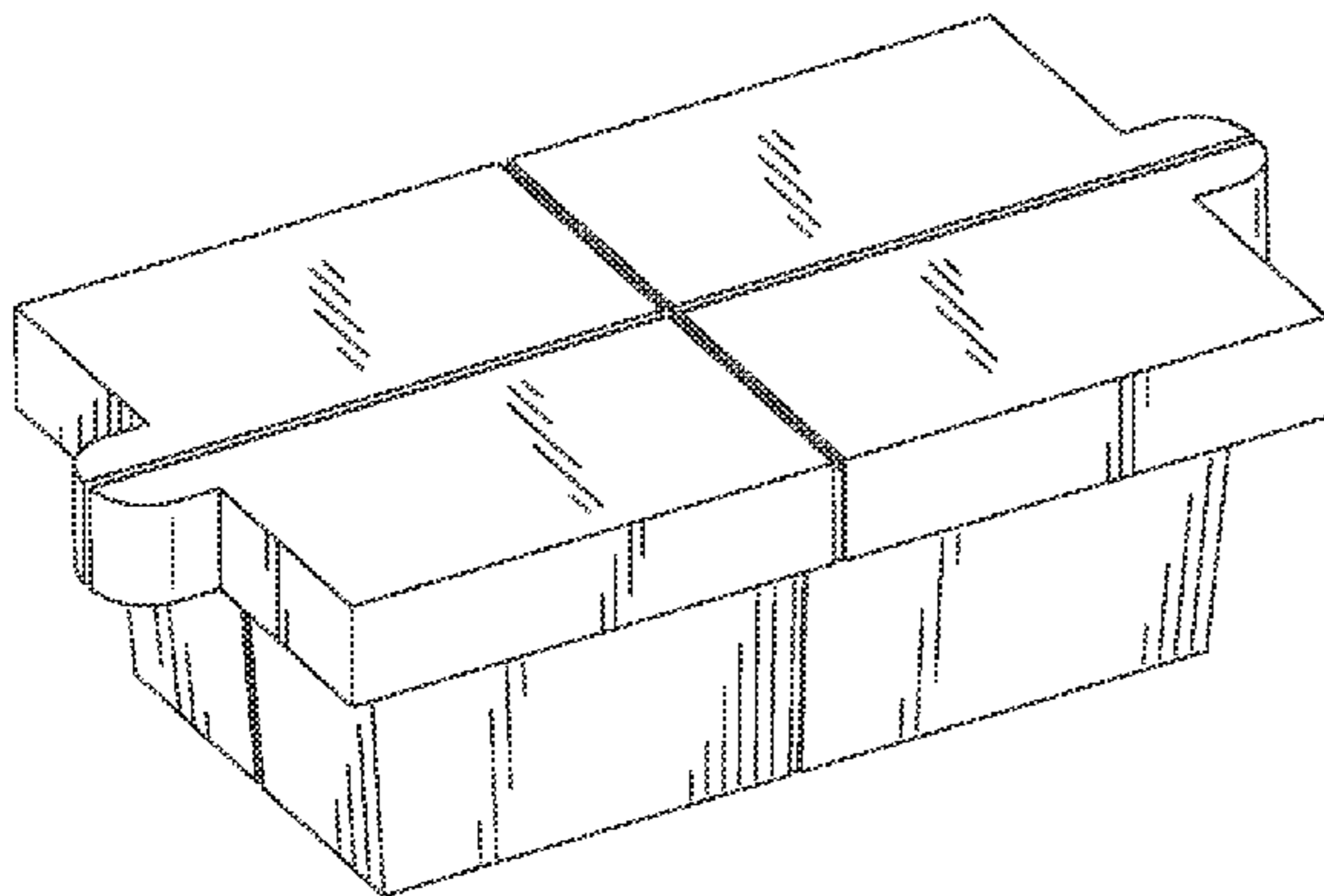
FIG. 5 is a right side elevation view of the template in FIG. 1. Left side elevation view is identical to the right side elevation view.

FIG. 6 is one isometric environmental view of the template in FIG. 1; and,

FIG. 7 is another isometric environmental view of the template in FIG. 1.

The broken lines showing sheet stock material, supporting stud-type frame and electrical box/fixture are for environmental purposed only and forms no part of the claimed design.

1 Claim, 3 Drawing Sheets



(56)

References Cited

U.S. PATENT DOCUMENTS

5,630,281 A * 5/1997 Pledger et al. 33/528
 D379,796 S * 6/1997 Bagga D13/139.4
 5,813,130 A * 9/1998 MacDowell 33/528
 D399,825 S * 10/1998 Heung et al. D13/139.6
 6,209,214 B1 * 4/2001 Talavera 33/528
 D466,085 S * 11/2002 Heggem D13/152
 6,538,202 B1 * 3/2003 Shaffer et al. 174/66
 6,546,641 B1 * 4/2003 Boule 33/528
 6,927,341 B1 * 8/2005 Crane 174/66
 D529,447 S * 10/2006 Greenfield D13/156
 D531,129 S * 10/2006 Muto D13/152
 D531,961 S * 11/2006 Greenfield D13/156
 D553,093 S * 10/2007 Miller D13/152
 D556,143 S * 11/2007 Ni D13/152

D559,789 S * 1/2008 Dinh D13/152
 D563,896 S * 3/2008 Greenslate D13/152
 D583,205 S * 12/2008 Waliszewski D8/14
 D660,733 S * 5/2012 Shotey et al. D10/64
 D680,426 S * 4/2013 Baker D9/431
 D684,935 S * 6/2013 DeCosta D13/152
 D697,033 S * 1/2014 Hashimoto et al. D13/159
 2004/0040167 A1 * 3/2004 Hall 33/528
 2004/0083617 A1 * 5/2004 Bielen 33/528
 2008/0127502 A1 * 6/2008 Feng 33/562
 2008/0236859 A1 * 10/2008 de la Borbolla 174/66
 2009/0277028 A1 * 11/2009 Dunn 33/528
 2009/0277029 A1 * 11/2009 Guzallis 33/528
 2010/0037475 A1 * 2/2010 Guzallis 33/528
 2010/0126031 A1 * 5/2010 Crorey 33/528
 2011/0239477 A1 * 10/2011 Dressel et al. 33/528

* cited by examiner

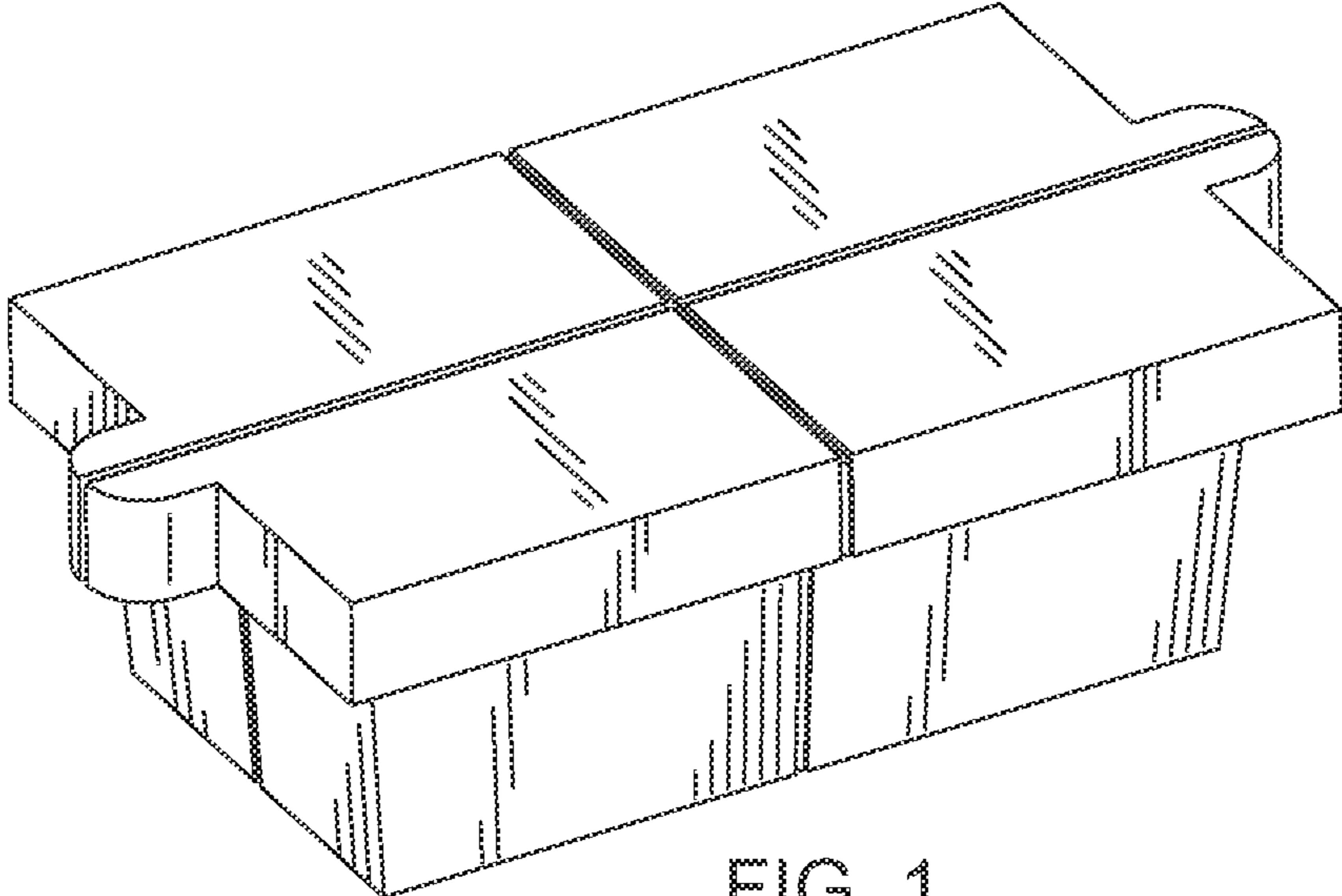


FIG. 1

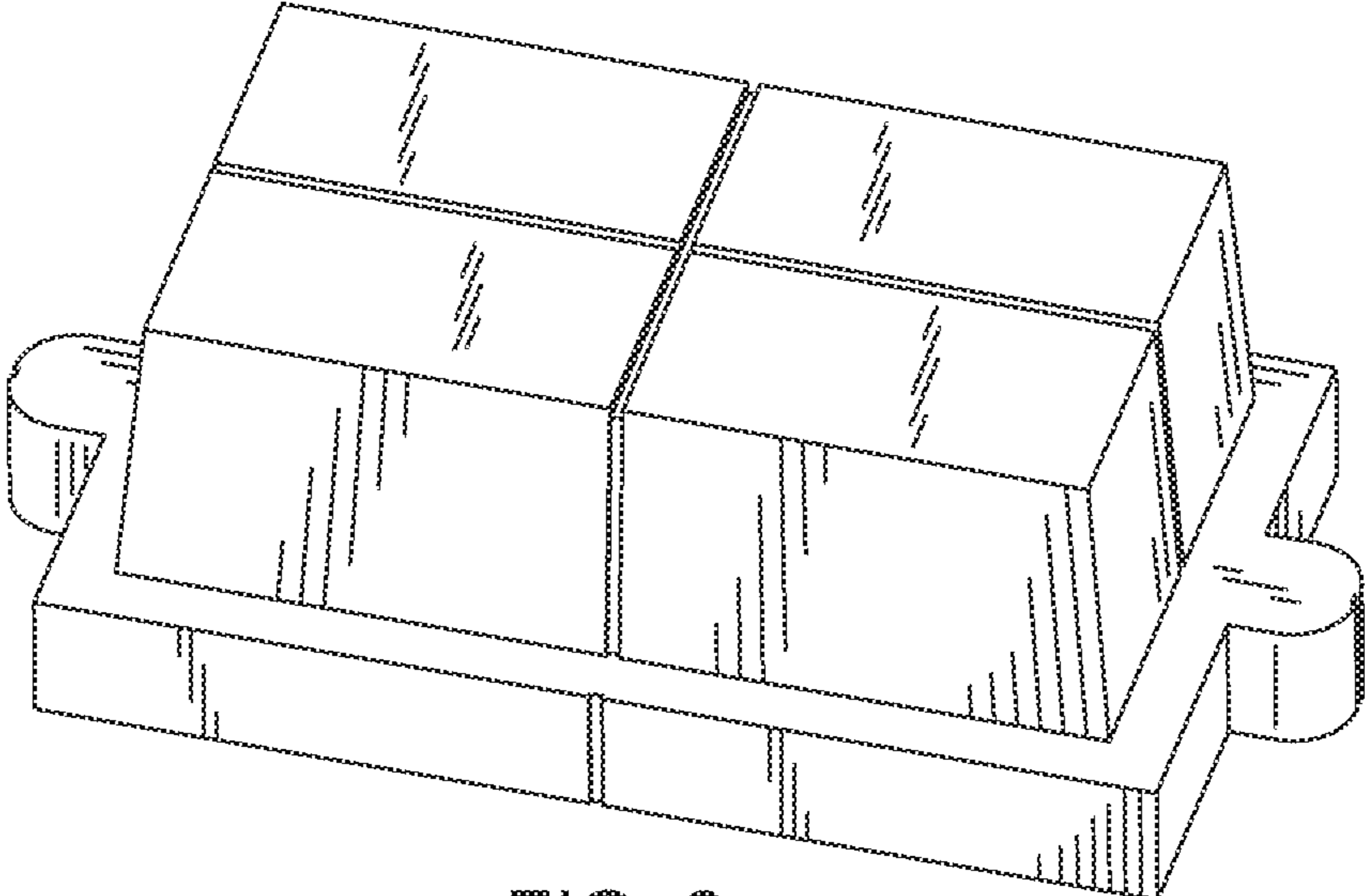


FIG. 2

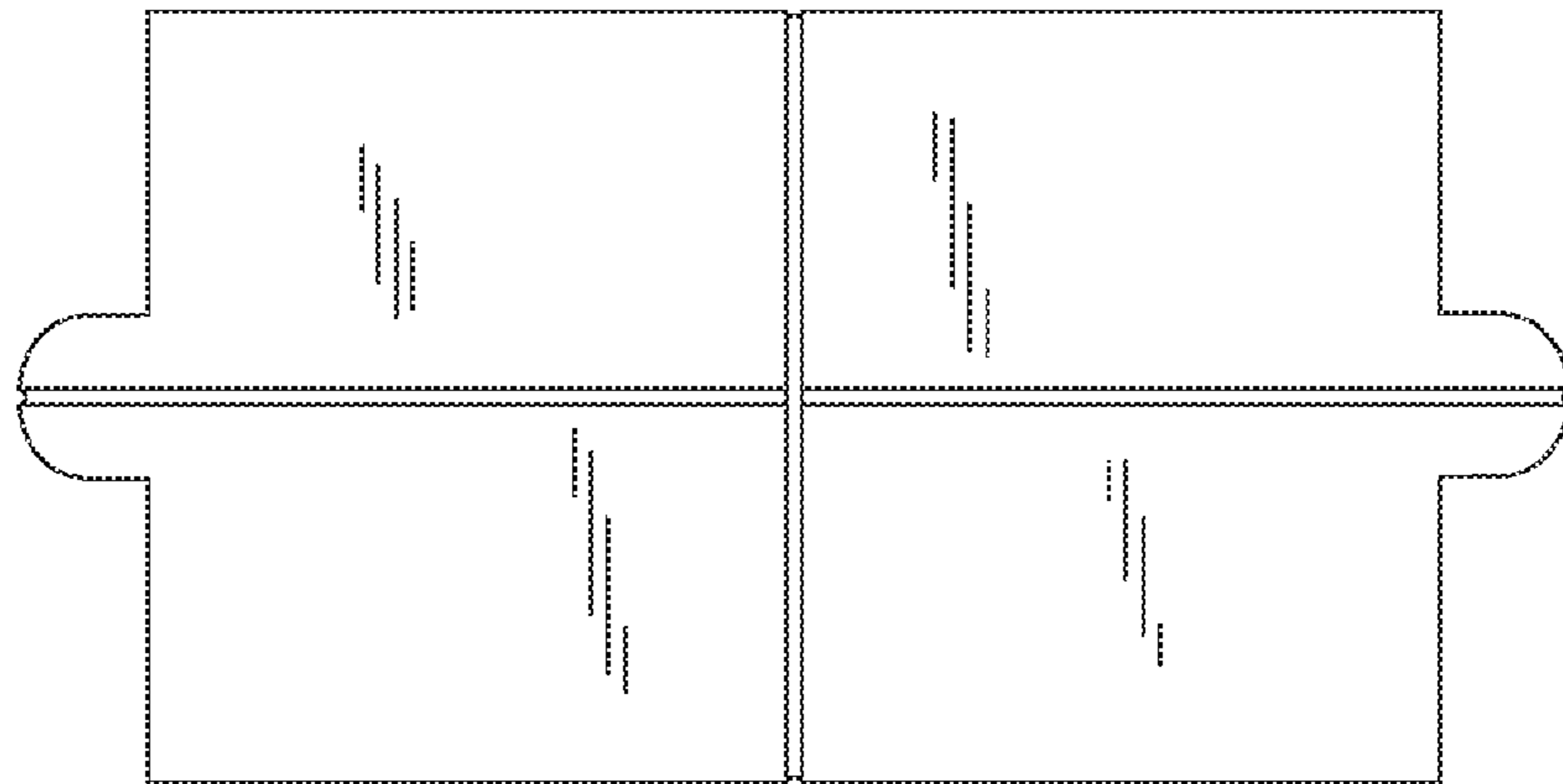


FIG. 3

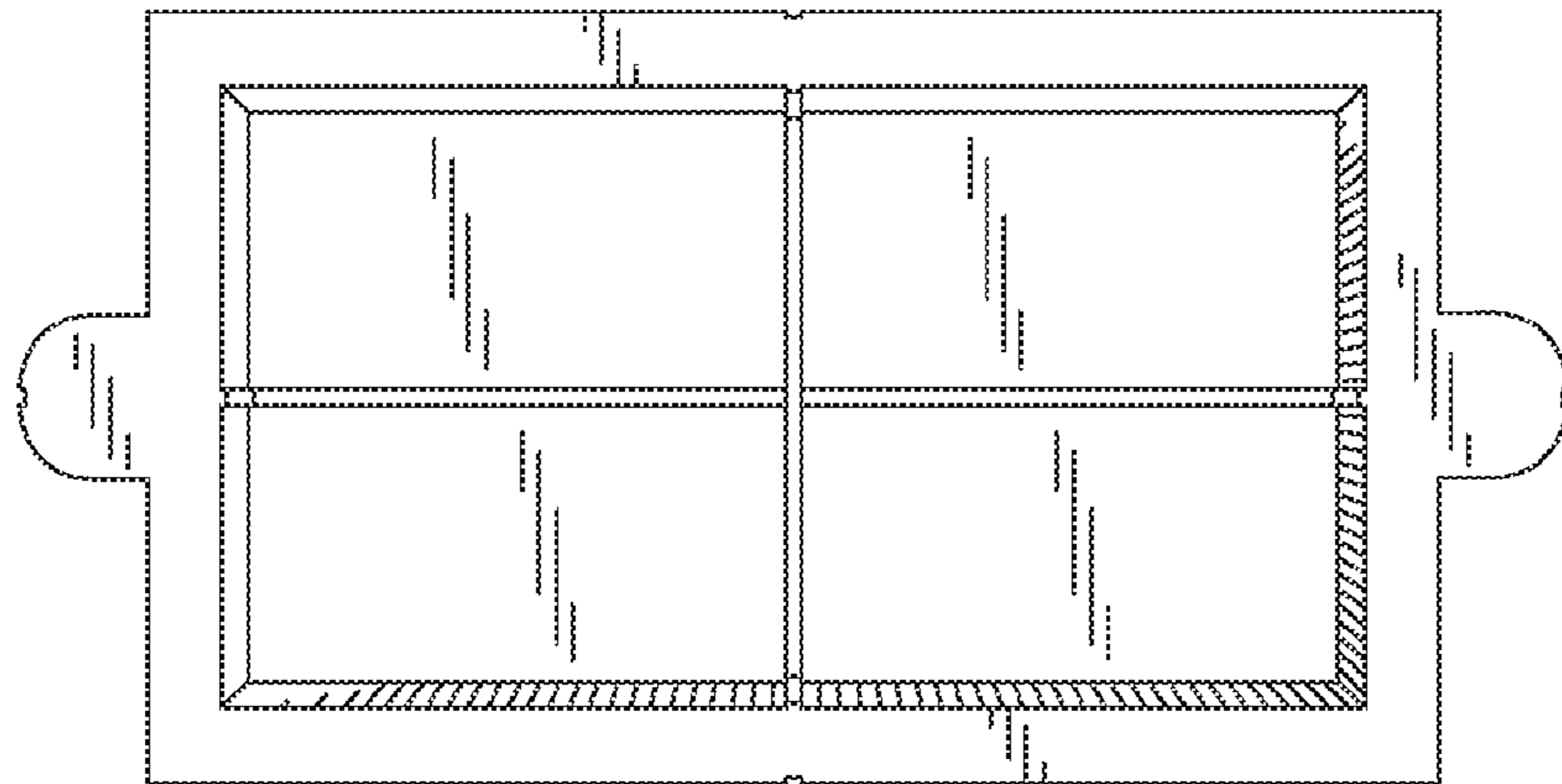


FIG. 4

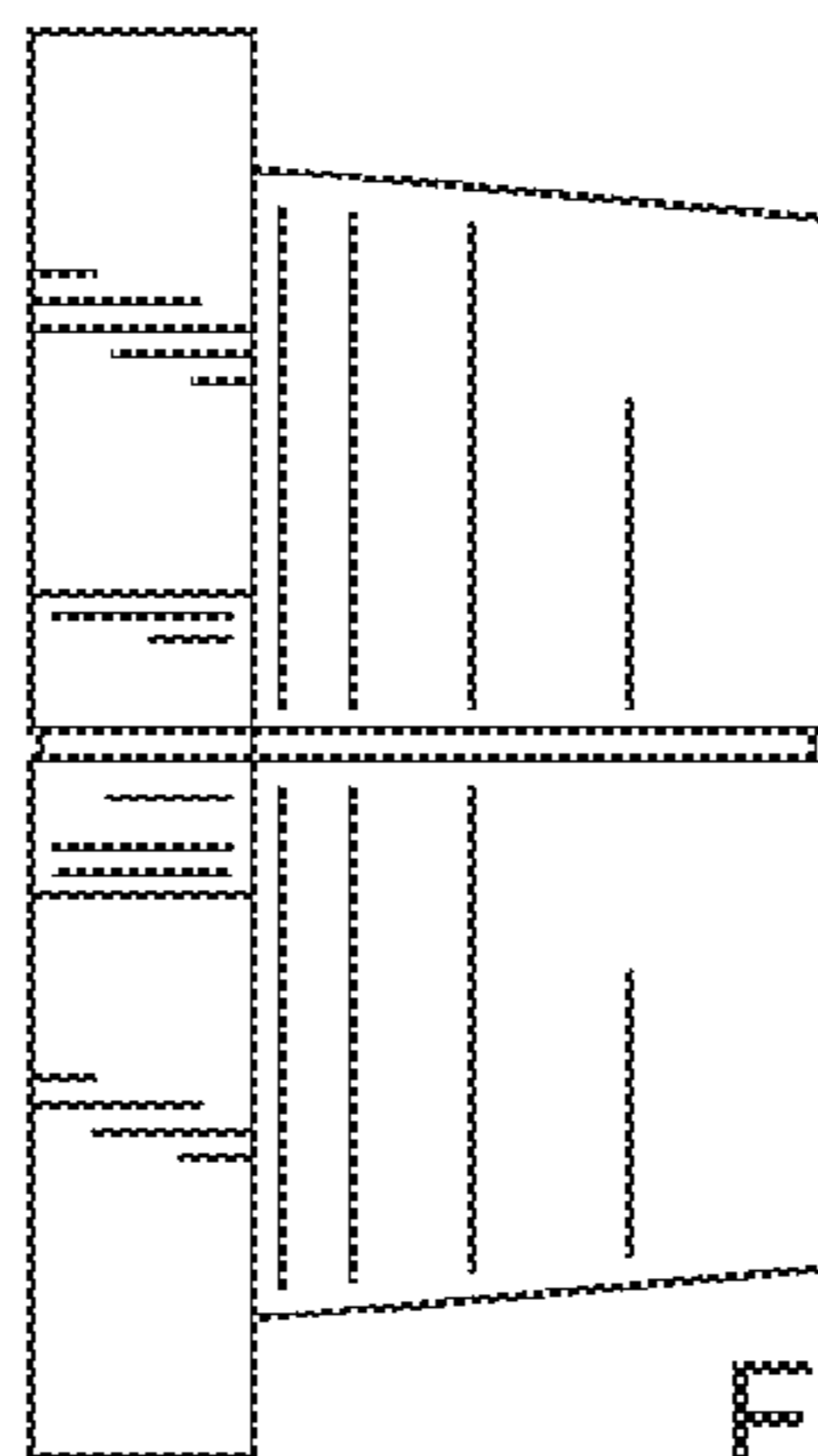


FIG. 5

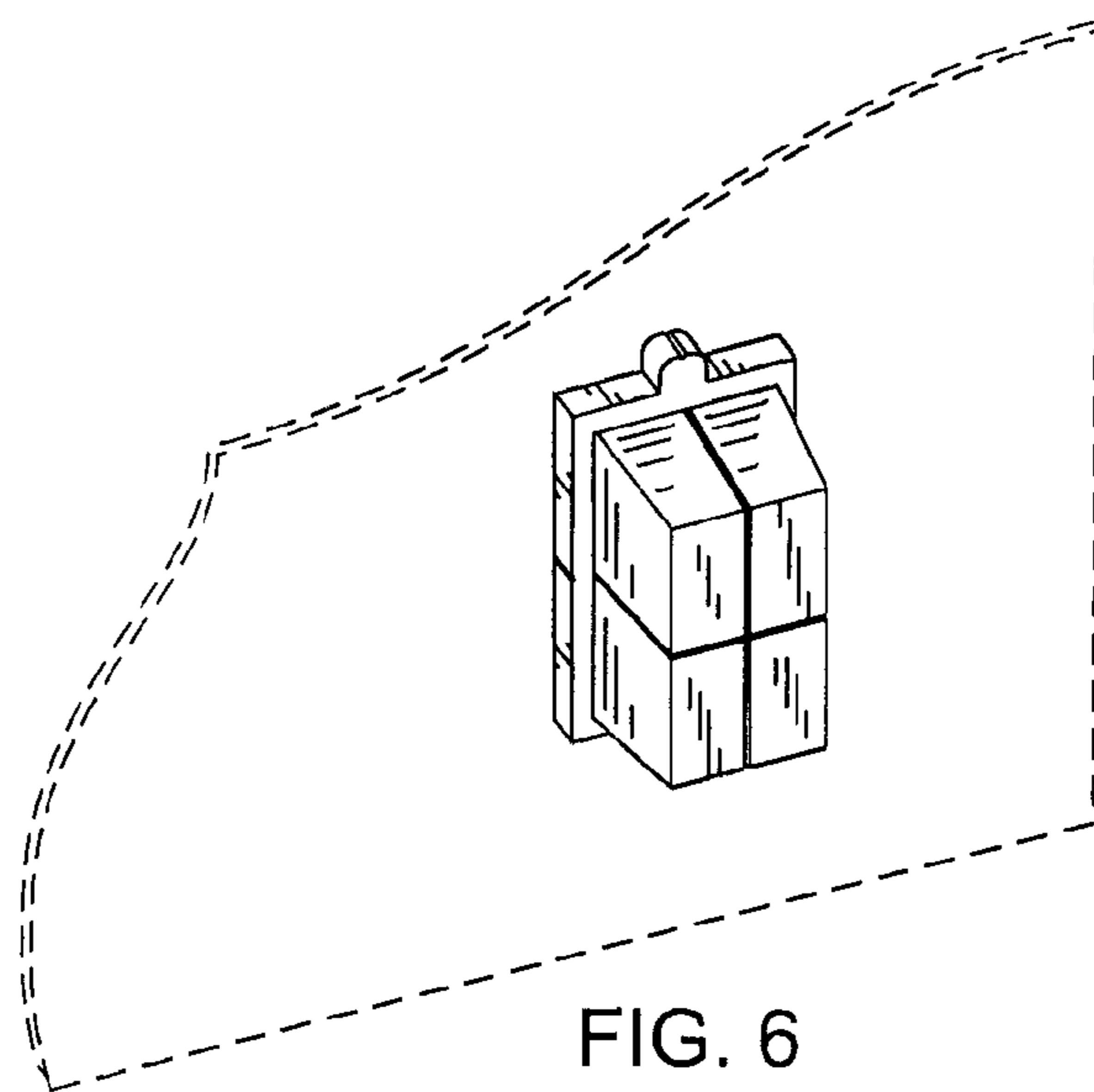


FIG. 6

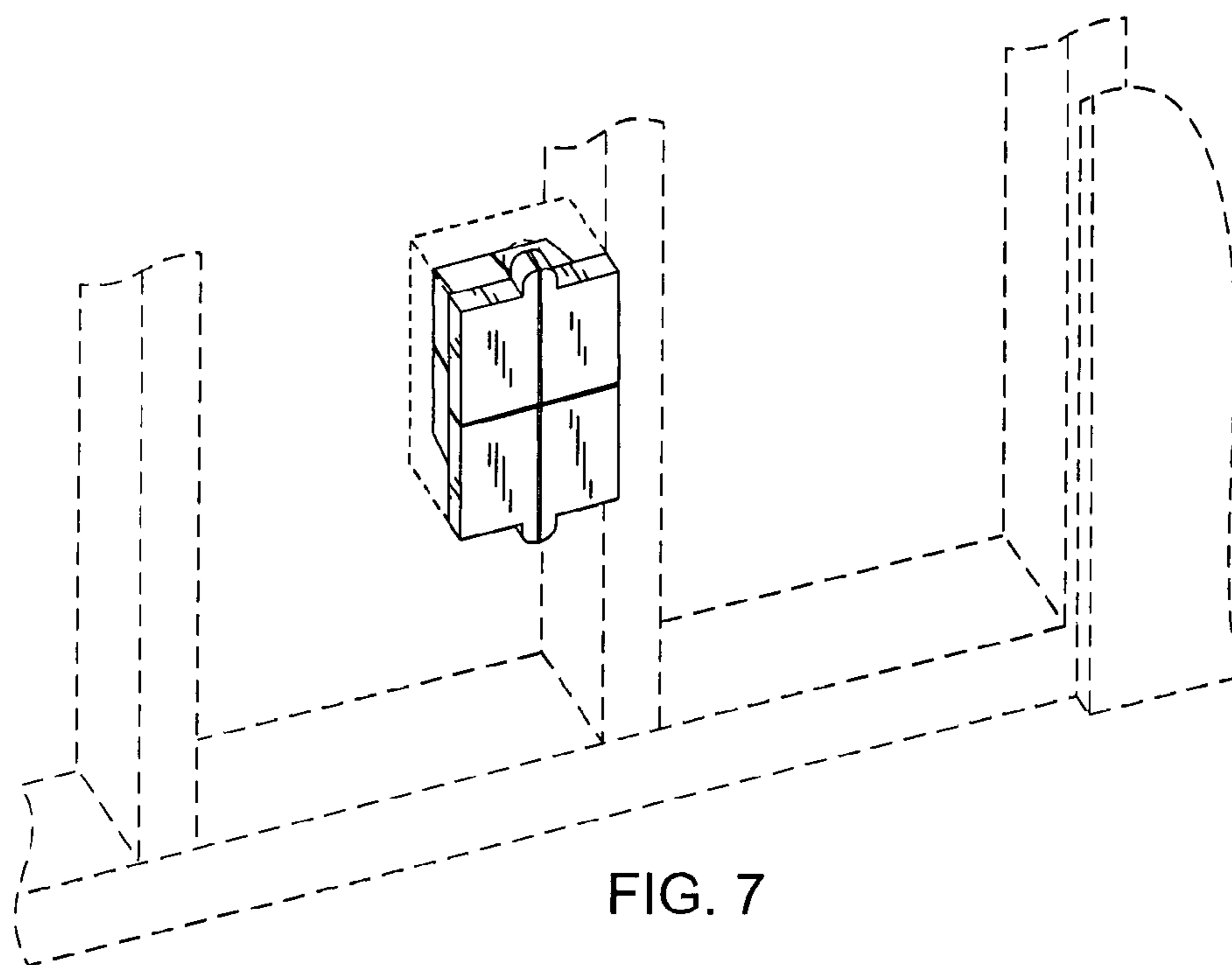


FIG. 7