

US00D736104S

(12) **United States Design Patent**  
**Ericksen et al.**

(10) **Patent No.:** **US D736,104 S**

(45) **Date of Patent:** **\*\* Aug. 11, 2015**

(54) **TIMER**

(56)

**References Cited**

(71) Applicant: **Orbit Irrigation Products, Inc.**, North Salt Lake, UT (US)

U.S. PATENT DOCUMENTS

(72) Inventors: **Kent C. Ericksen**, Centerville, UT (US); **Stuart Eyring**, Bountiful, UT (US); **Jeffrey C. Thurgood**, Syracuse, UT (US); **Karl L. Connolly**, Bountiful, UT (US); **Alan T. Ence**, Fruit Heights, UT (US)

D53,726	S	*	8/1919	Berge	.....	D10/74
1,865,965	A	*	7/1932	Ruiz	.....	368/99
D191,294	S	*	9/1961	Charnota et al.	.....	D23/246
4,562,865	A	*	1/1986	Lemkin et al.	.....	137/624.12
4,807,664	A	*	2/1989	Wilson et al.	.....	137/624.11
D309,175	S	*	7/1990	Hastings et al.	.....	D23/245
D386,985	S	*	12/1997	Cameron	.....	D10/40
D427,085	S	*	6/2000	Steinhagen	.....	D10/40

(Continued)

(73) Assignee: **Orbit Irrigation Products, Inc.**, North Salt Lake, UT (US)

OTHER PUBLICATIONS

(\*\*) Term: **14 Years**

The products shown in Attachment A hereto were sold or offered for sale by Orbit Irrigation Products, Inc., on or before Nov. 2008.

(Continued)

(21) Appl. No.: **29/500,449**

*Primary Examiner* — Martie K Holtje

(22) Filed: **Aug. 25, 2014**

(74) *Attorney, Agent, or Firm* — Austin Rapp & Hardman

**Related U.S. Application Data**

(62) Division of application No. 29/450,680, filed on Mar. 20, 2013, now Pat. No. Des. 713,271.

(57) **CLAIM**

The ornamental design for a timer, as shown and described.

(51) **LOC (10) Cl.** ..... **10-03**

**DESCRIPTION**

(52) **U.S. Cl.**  
USPC ..... **D10/40**

(58) **Field of Classification Search**

USPC ..... D10/40-45, 74; D23/245, 246; 368/10, 368/89, 96-100, 107-121; 200/329, 330, 200/33 R, 315, 38 A; 307/139, 140, 141.4; 239/67-70; 137/624.11, 624.12, 137/624.18, 624.21, 624.22  
CPC ..... A01G 25/00; A01G 25/16; A01G 25/165; B05B 12/00; B05B 12/02; F16K 31/48; G05D 7/00; G05D 7/06; G05D 7/0635; G04F 3/00; G04F 3/02

FIG. 1 is an elevated perspective view of a timer, according to our new design;

FIG. 2 is a front view of the timer shown in FIG. 1;

FIG. 3 is a rear view of the timer shown in FIG. 1;

FIG. 4 is a top view of the timer shown in FIG. 1;

FIG. 5 is a bottom view of the timer shown in FIG. 1;

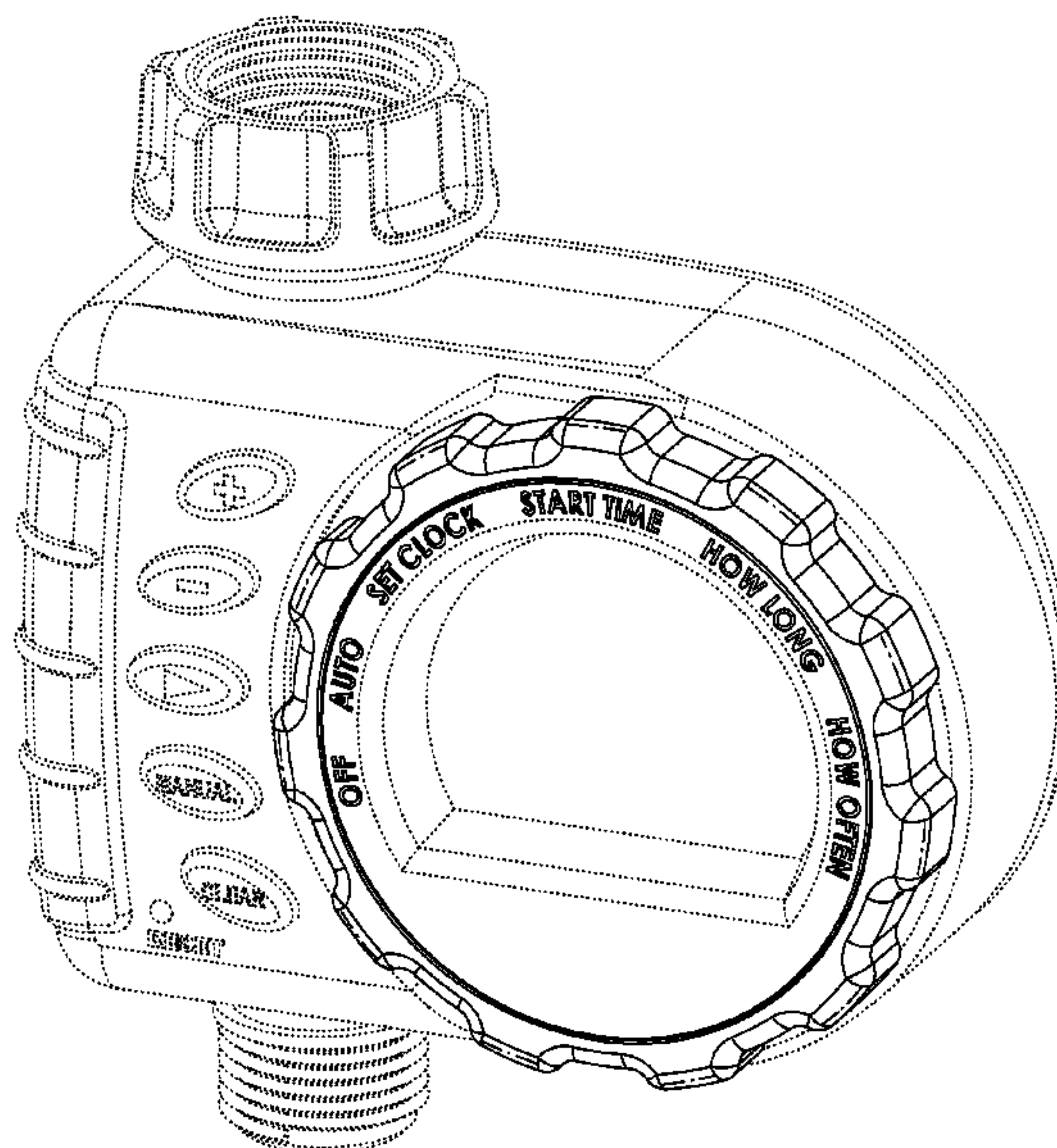
FIG. 6 is a first side view of the timer shown in FIG. 1; and,

FIG. 7 is a second side view of the timer shown in FIG. 1.

The portions of the figures depicted in broken lines form no part of the claimed design.

See application file for complete search history.

**1 Claim, 7 Drawing Sheets**



(56)

**References Cited**

U.S. PATENT DOCUMENTS

D476,240 S \* 6/2003 Kuramochi et al. .... D10/40  
7,252,113 B2 \* 8/2007 Jacobs et al. .... 137/624.11  
7,404,415 B2 \* 7/2008 Jacobs et al. .... 137/624.11  
D636,278 S \* 4/2011 Franchini ..... D10/40  
D643,755 S \* 8/2011 Nies et al. .... D10/40  
D647,411 S \* 10/2011 Barton et al. .... D10/40  
D657,264 S \* 4/2012 Nies et al. .... D10/40  
D658,519 S \* 5/2012 Connolly et al. .... D10/40  
D659,029 S \* 5/2012 Connolly et al. .... D10/40  
8,251,300 B2 \* 8/2012 Wilson ..... 239/70  
2006/0011243 A1 \* 1/2006 Jacobs et al. .... 137/624.11

OTHER PUBLICATIONS

The product(s) shown in Attachment B were privately or publicly sold or offered for sale by Orbit Irrigation Products, Inc., on or before Mar. 19, 2013.

The product(s) shown in Attachment C were sold or offered for sale by Robert Bosch Tool Corporation under the brand name Nelson on or before Mar. 19, 2013.

The product(s) shown in Attachment D were sold or offered for sale by Melnor, Inc., on or before Mar. 19, 2013.

The website shown in the printout included in Attachment E appears to have been published by Melnor, Inc., on or before Feb. 10, 2012.

The website shown in the printout included in Attachment F appears to have been published by Melnor, Inc., on or before Jun. 24, 2012.

The website shown in the printout included in Attachment G appears to have been published by Robert Bosch Tool Corporation under the brand name Nelson on or before Mar. 27, 2012.

The website shown in the printout included in Attachment H appears to have been published by Robert Bosch Tool Corporation under the brand name Nelson on or before Jul. 9, 2012.

The product shown in Attachment I was sold or offered for sale by Rain Bird Corporation at least by Mar. 19, 2012.

The products shown in Attachment J were sold or offered for sale by Orbit Irrigation Products, Inc., at least by Mar. 19, 2012.

\* cited by examiner

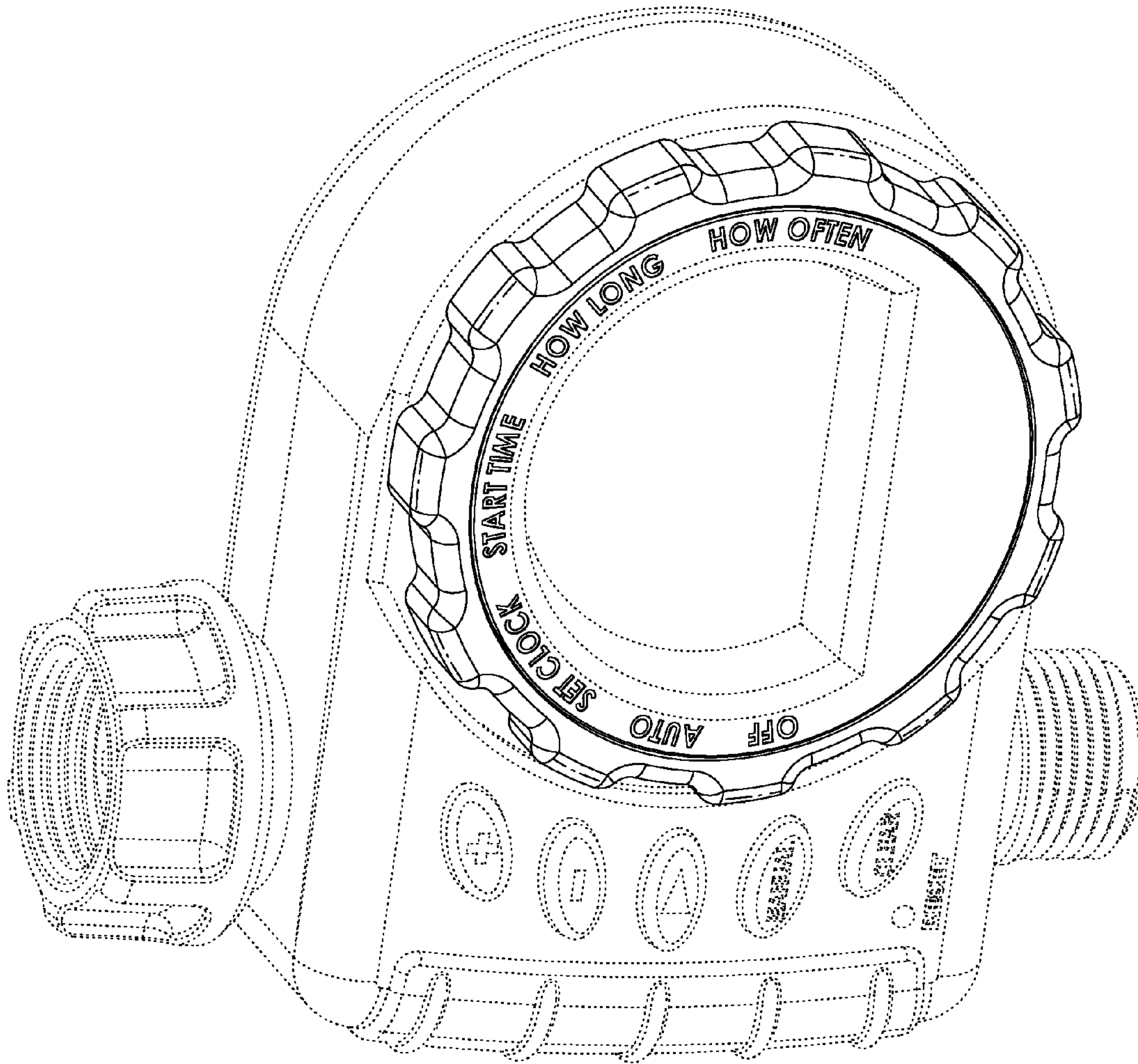


FIG. 1



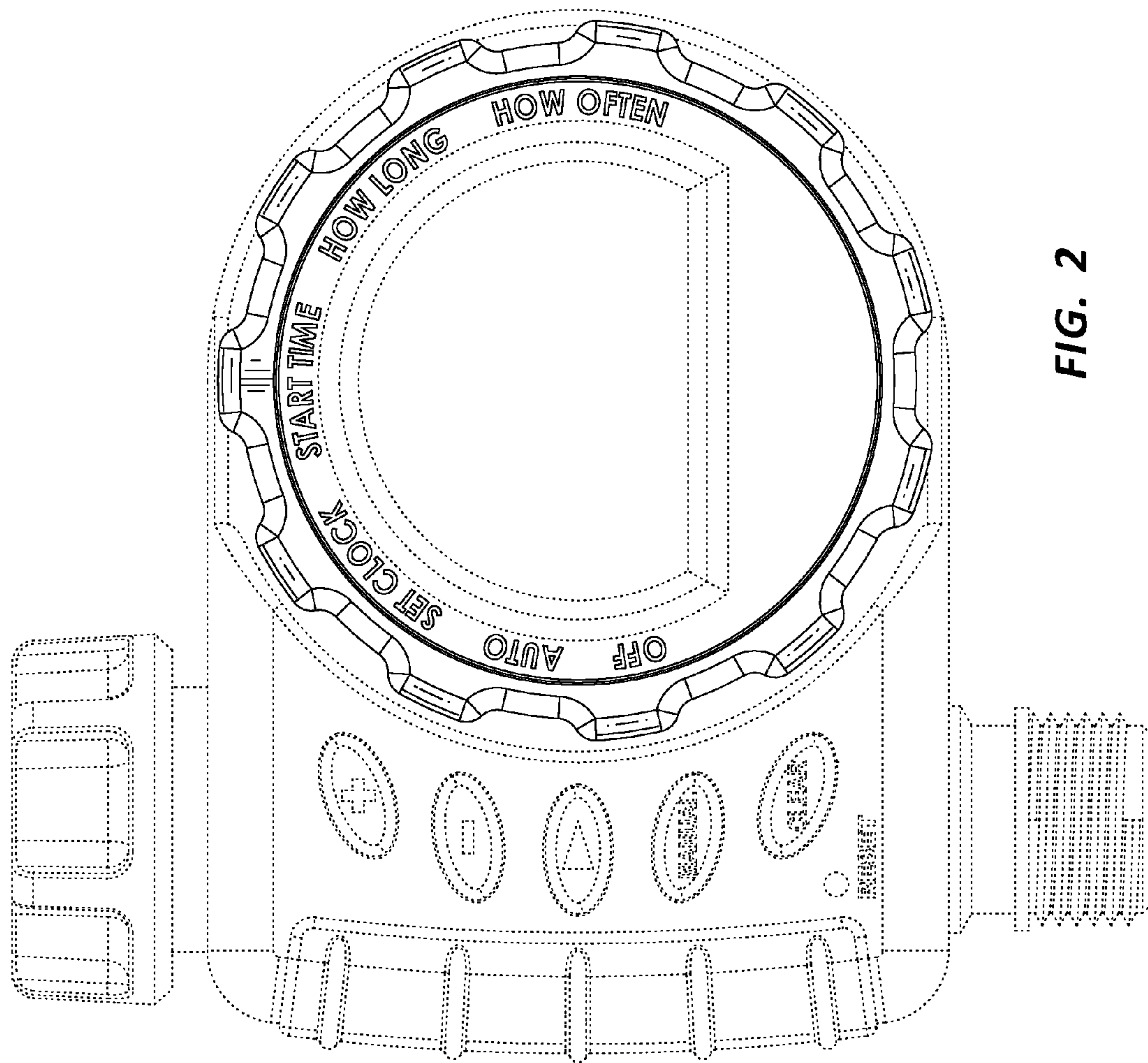


FIG. 2

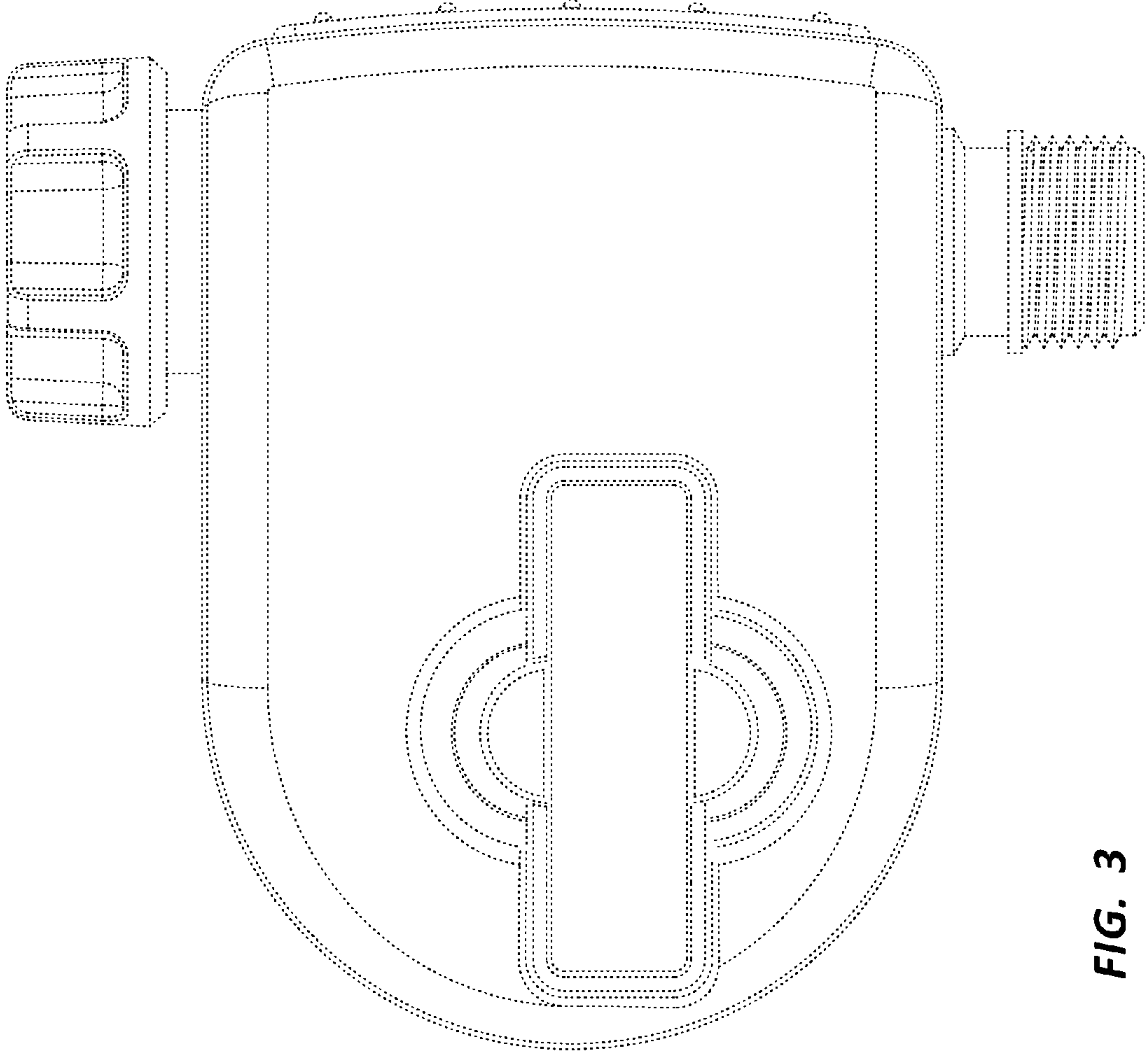
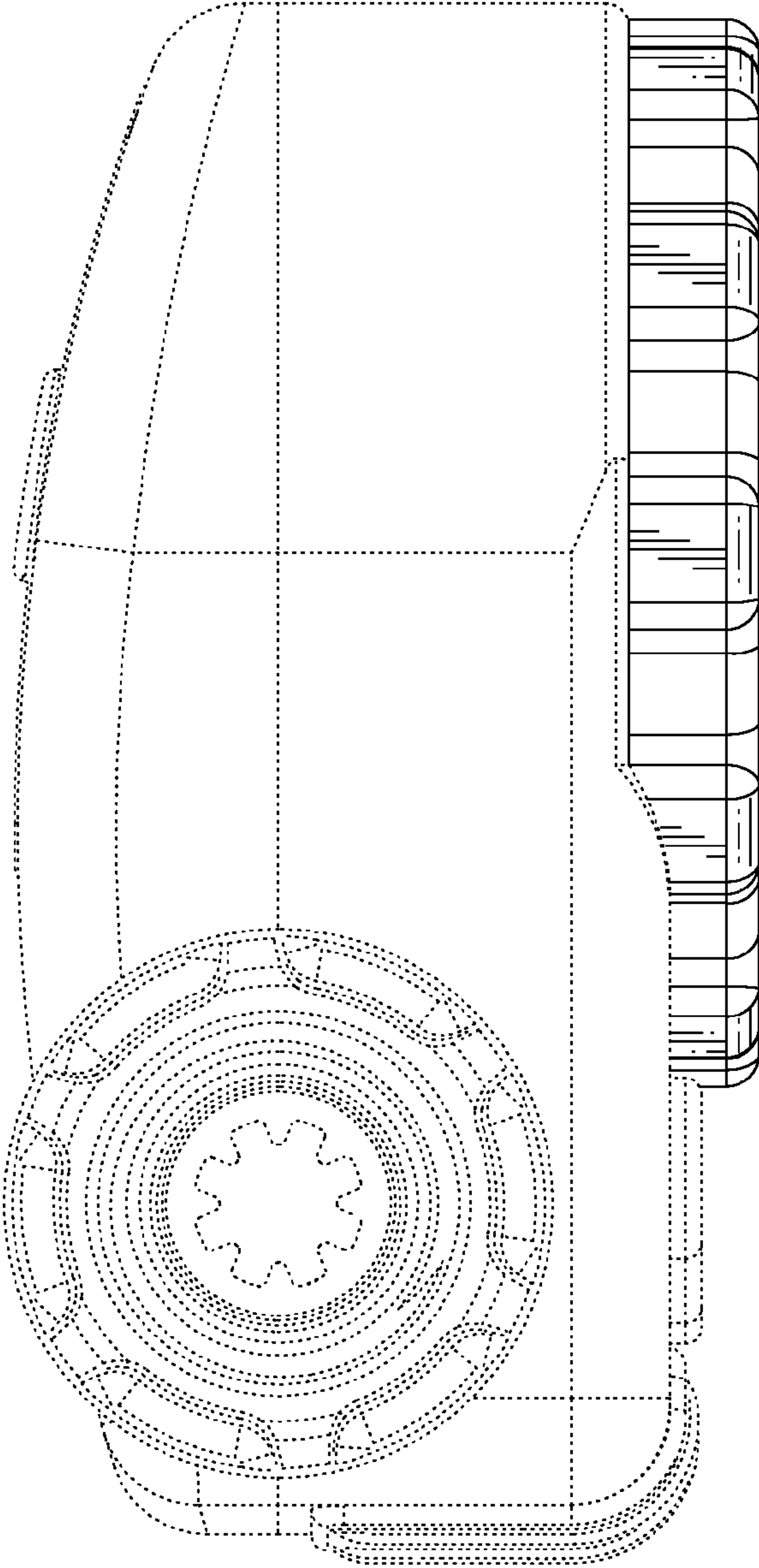


FIG. 3



**FIG. 4**

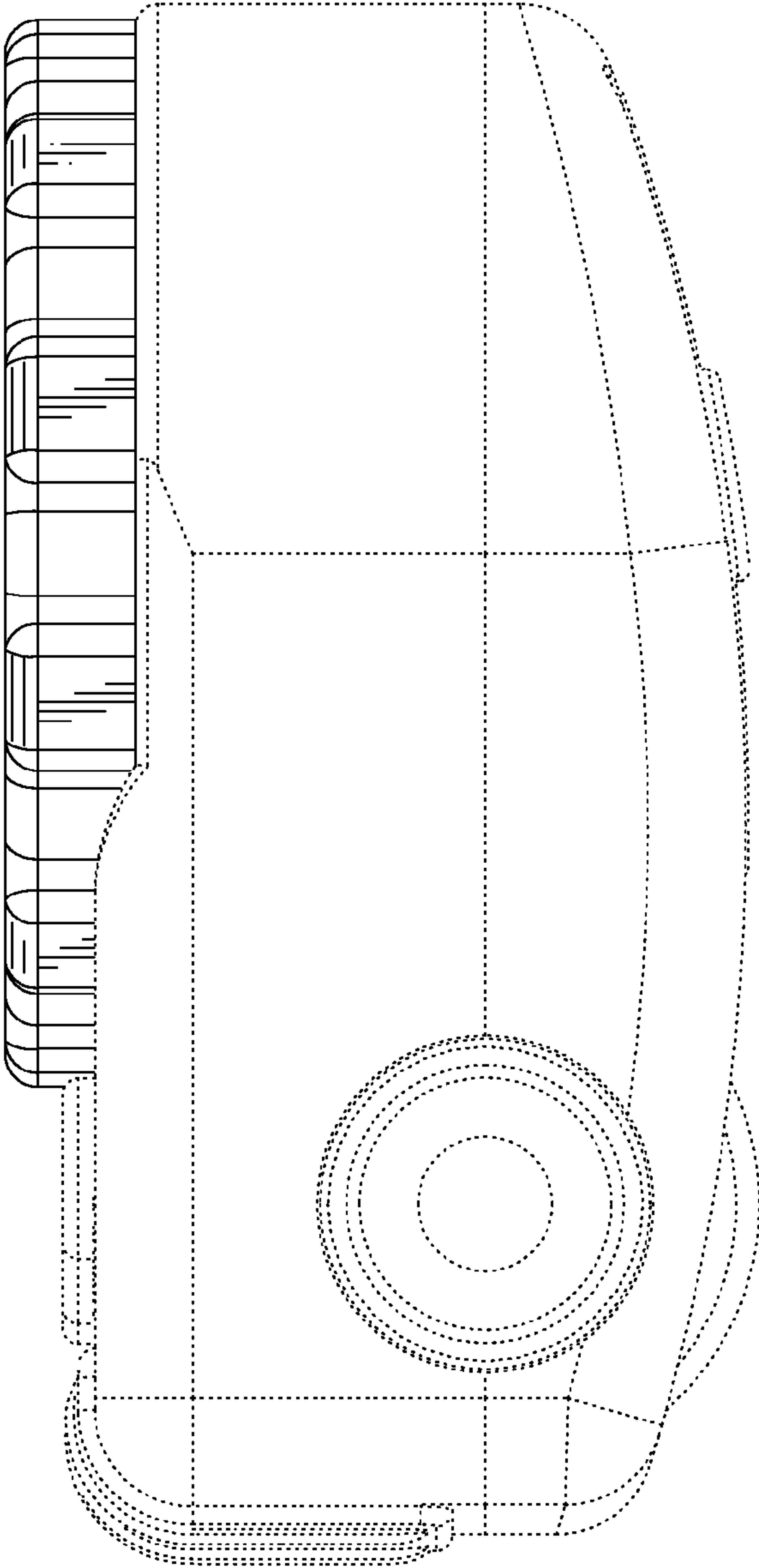


FIG. 5

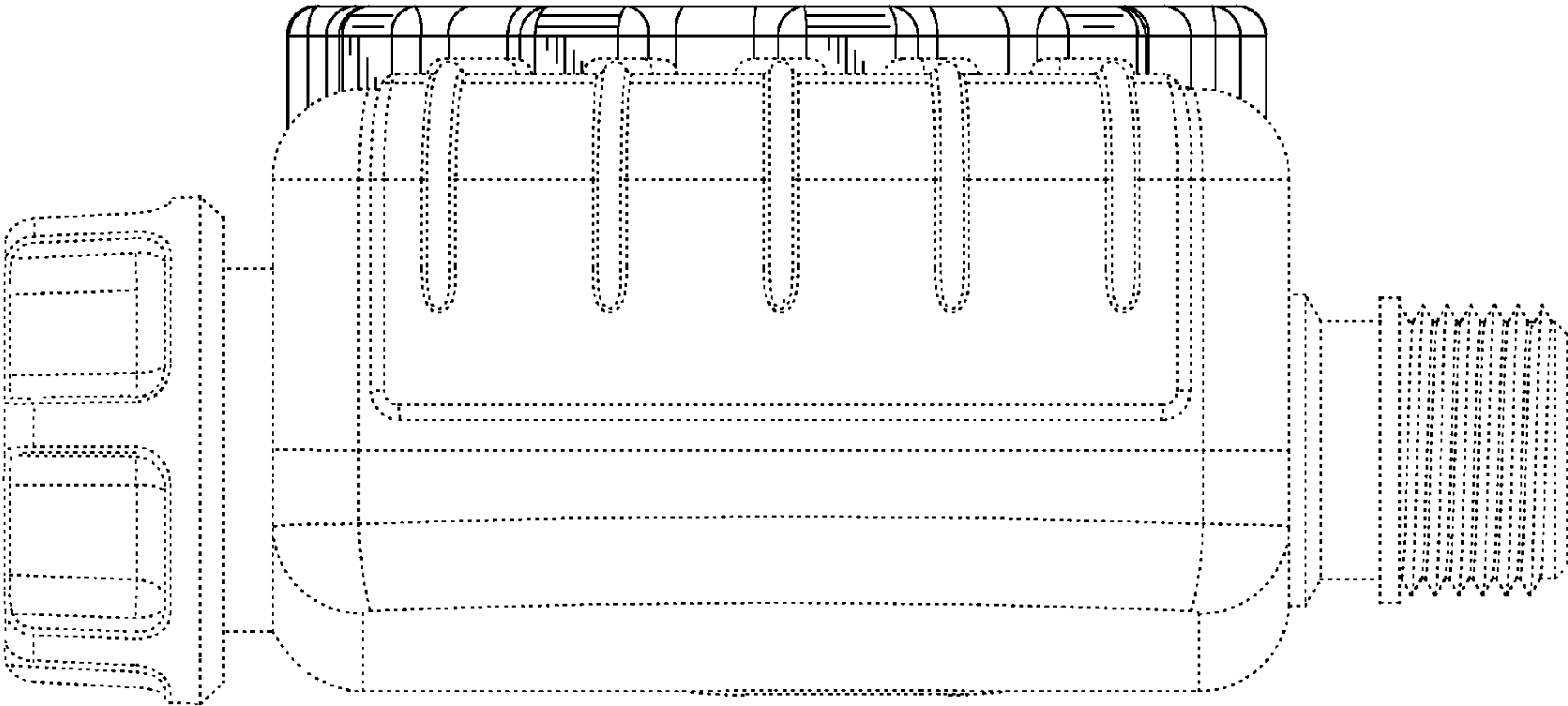


FIG. 6



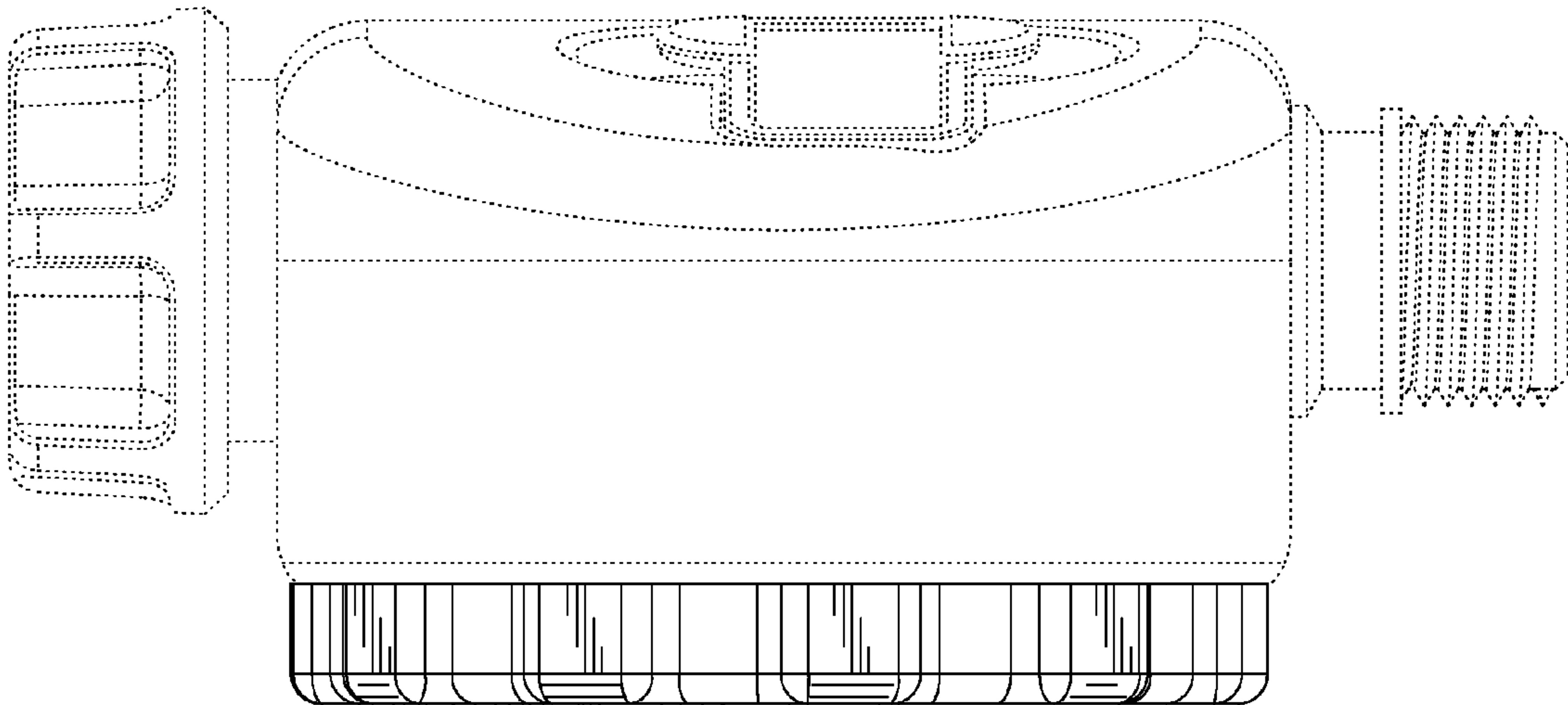


FIG. 7