

US00D736103S

(12) **United States Design Patent**  
**Behling**

(10) **Patent No.:** **US D736,103 S**

(45) **Date of Patent:** **\*\* Aug. 11, 2015**

(54) **WATCH CASE**

(71) Applicant: **LVMH Swiss Manufactures SA**, La Chaux-de-Fonds (CH)

(72) Inventor: **Christoph Behling**, London (GB)

(73) Assignee: **LVMH Swiss Manufactures SA**, La Chaux-de-Fonds (CH)

(\*\*) Term: **14 Years**

(21) Appl. No.: **29/441,987**

(22) Filed: **Jan. 11, 2013**

(51) **LOC (10) Cl.** ..... **10-02**

(52) **U.S. Cl.**  
USPC ..... **D10/30**

(58) **Field of Classification Search**  
USPC ..... D10/30-39; 368/276, 281, 282  
CPC ..... G04B 37/00; G04B 37/0008; G04B 37/0058; G04B 45/00; G04B 45/0069  
See application file for complete search history.

(56) **References Cited**

**U.S. PATENT DOCUMENTS**

3,270,928	A	*	9/1966	Brunet	.....	224/164
3,740,944	A	*	6/1973	Chopard	.....	368/281
D457,816	S	*	5/2002	Guye	.....	D10/32
D536,627	S	*	2/2007	Behling	.....	D10/38
D536,628	S	*	2/2007	Roth	.....	D10/38

D544,372	S	*	6/2007	Seyr et al.	.....	D10/32
D579,791	S	*	11/2008	Hoshino	.....	D10/38
D585,309	S	*	1/2009	Monachon	.....	D10/39
D590,274	S	*	4/2009	Monachon	.....	D10/31
D655,630	S	*	3/2012	Behling	.....	D10/38
8,366,313	B2	*	2/2013	Scioscia	.....	368/286
D684,486	S	*	6/2013	Messmer et al.	.....	D10/39
D690,611	S	*	10/2013	Inoue	.....	D10/39
D692,322	S	*	10/2013	Behling	.....	D10/39
D705,087	S	*	5/2014	Monachon	.....	D10/39
D709,389	S	*	7/2014	Monachon	.....	D10/39
D711,750	S	*	8/2014	Monachon	.....	D10/39

\* cited by examiner

*Primary Examiner* — Martie K Holtje

(74) *Attorney, Agent, or Firm* — Mark S. Leonardo; Brown Rudnick LLP

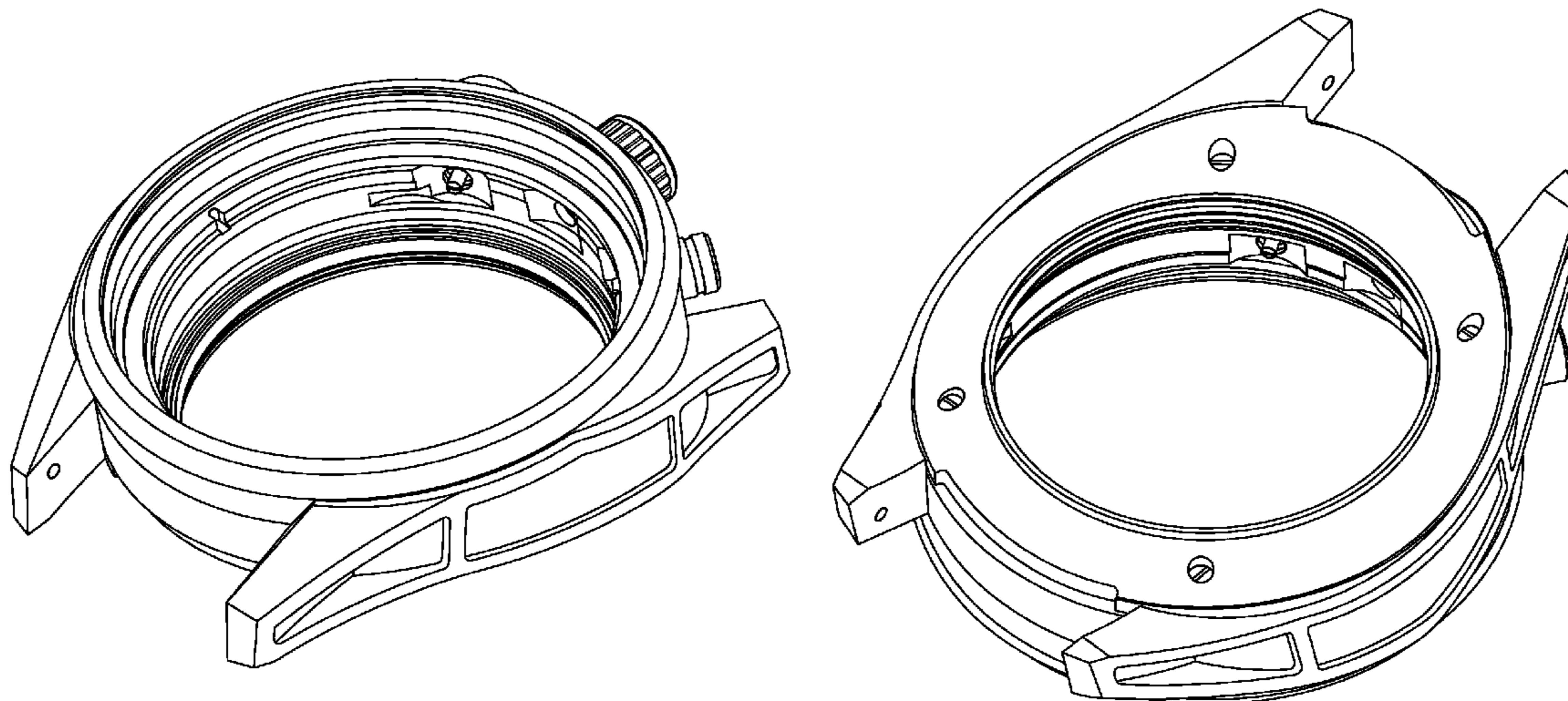
(57) **CLAIM**

The ornamental design for a watch case, as shown and described.

**DESCRIPTION**

FIG. 1 is a front perspective view of a watch case showing my new design;  
FIG. 2 is a rear perspective view thereof;  
FIG. 3 is a front elevational view thereof;  
FIG. 4 is a rear elevational view thereof;  
FIG. 5 is a left side elevational view thereof;  
FIG. 6 is a right side elevational view thereof;  
FIG. 7 is a top plan view thereof; and,  
FIG. 8 is a bottom plan view thereof.

**1 Claim, 8 Drawing Sheets**



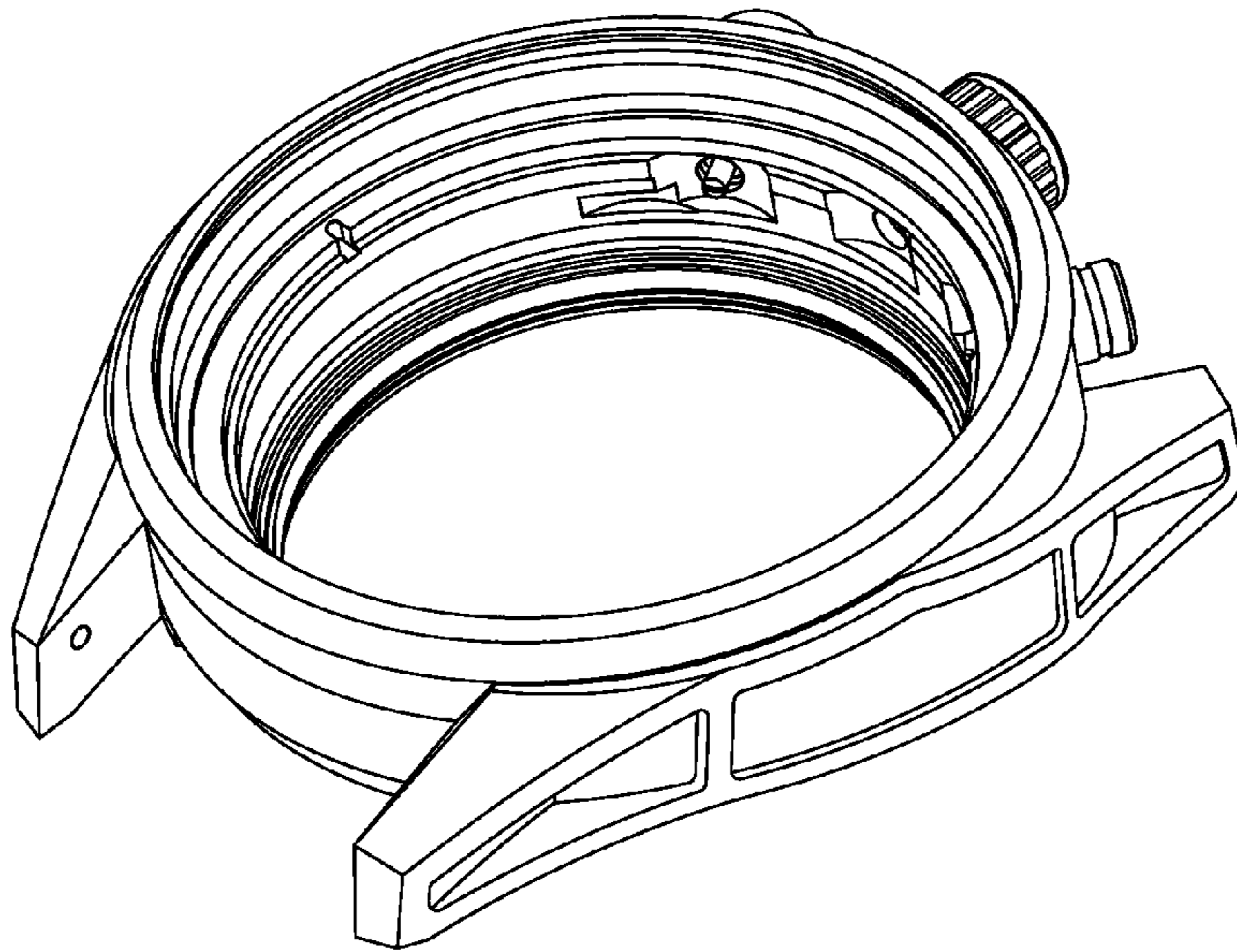


FIG. 1

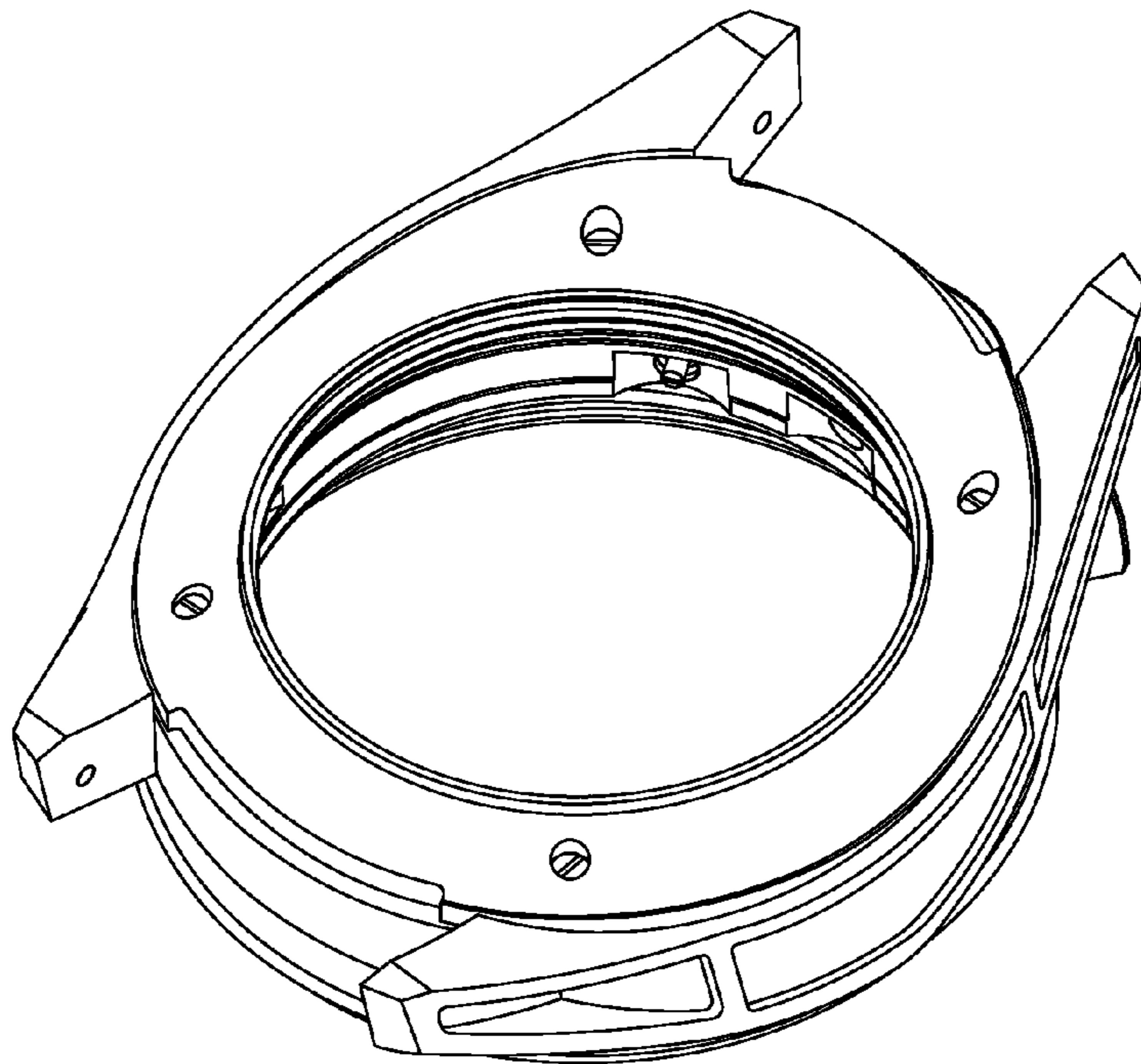


FIG. 2

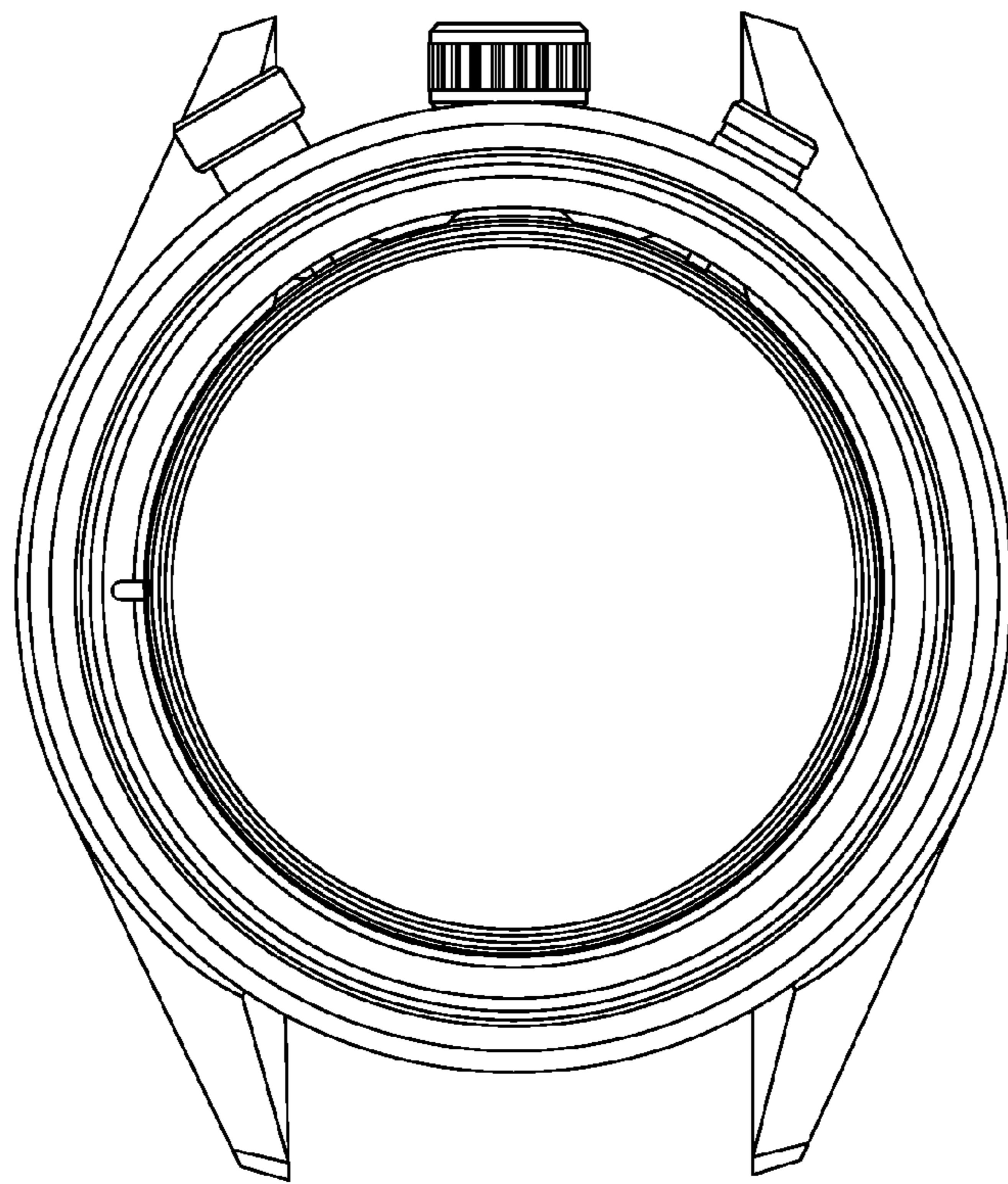


FIG. 3

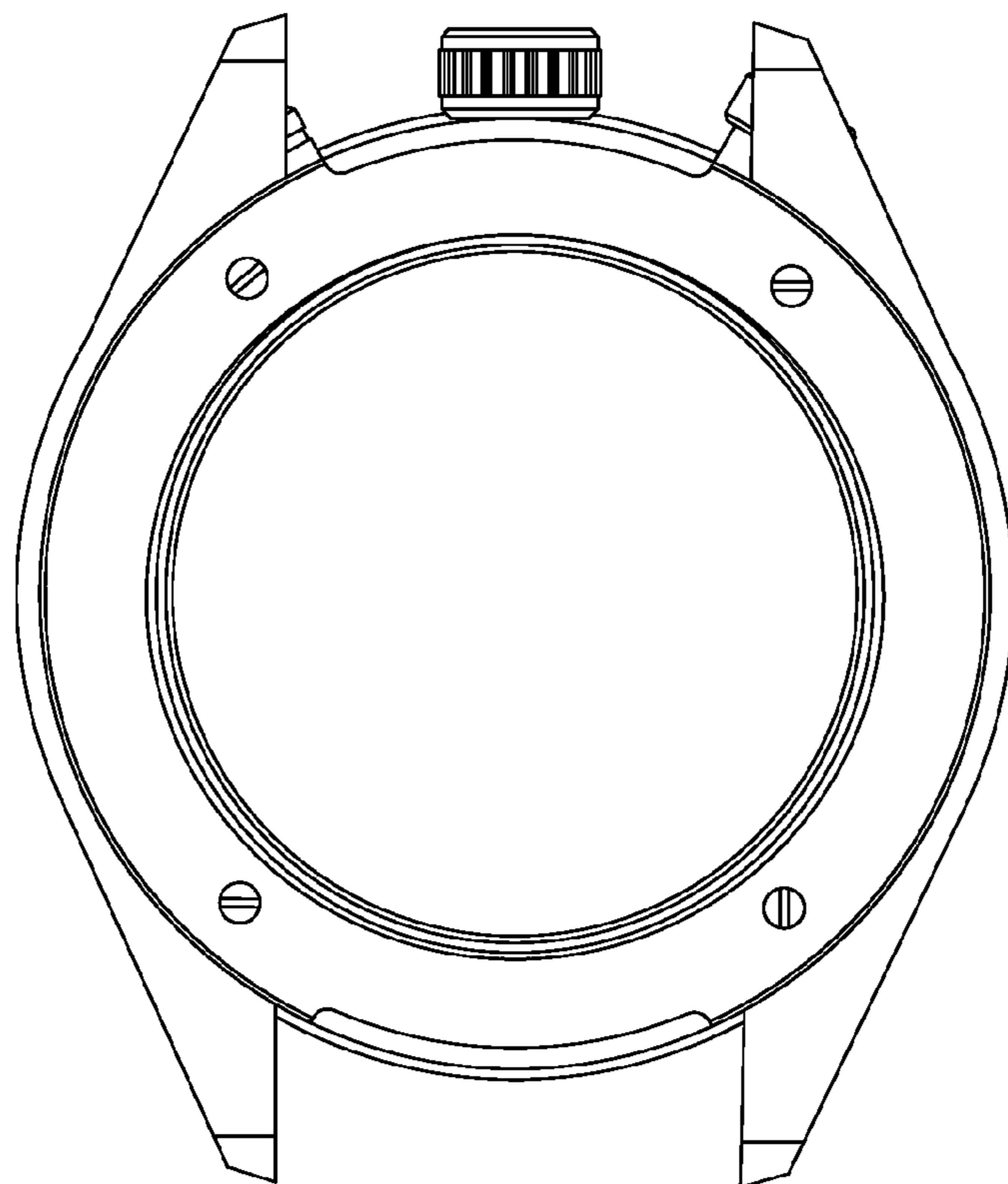


FIG. 4

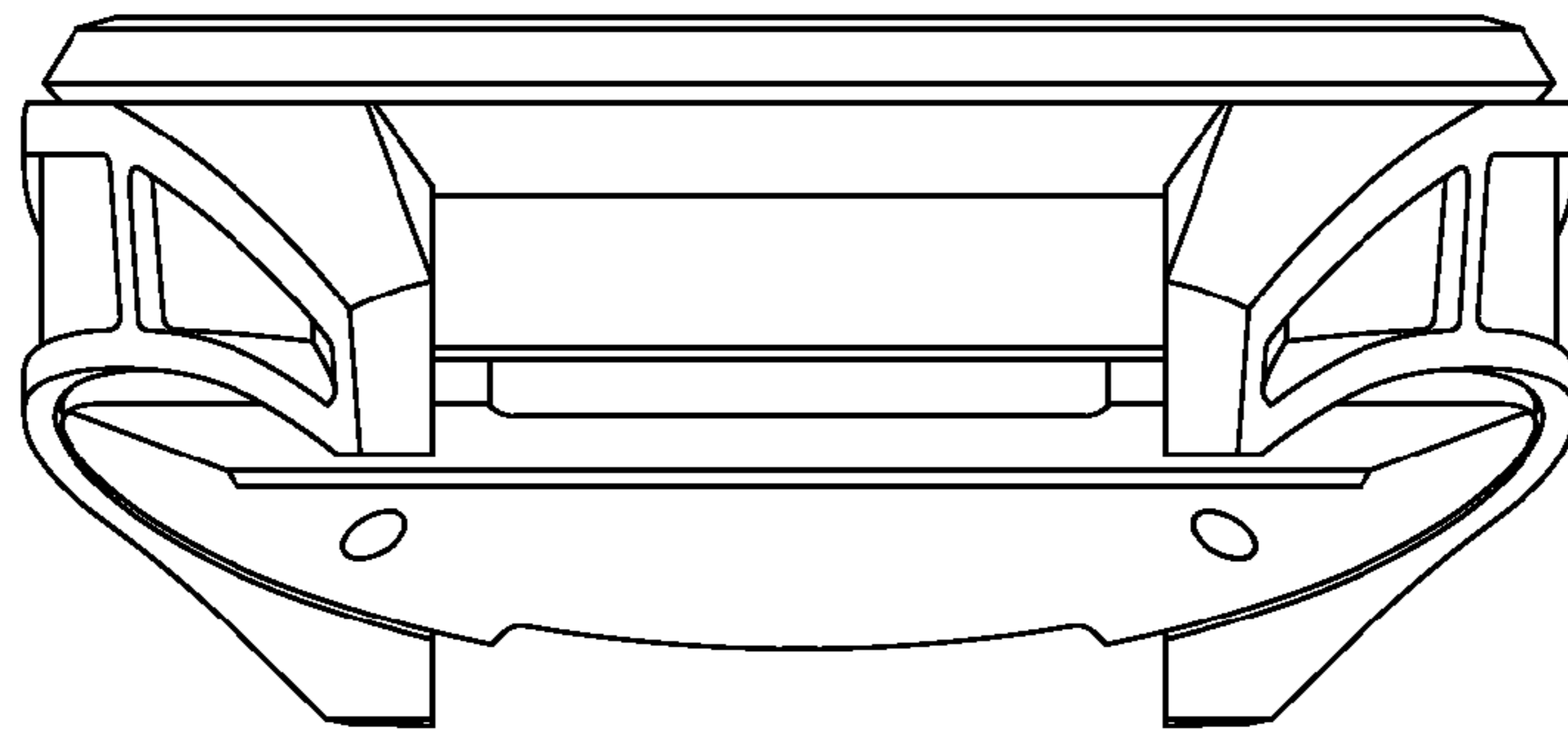


FIG. 5

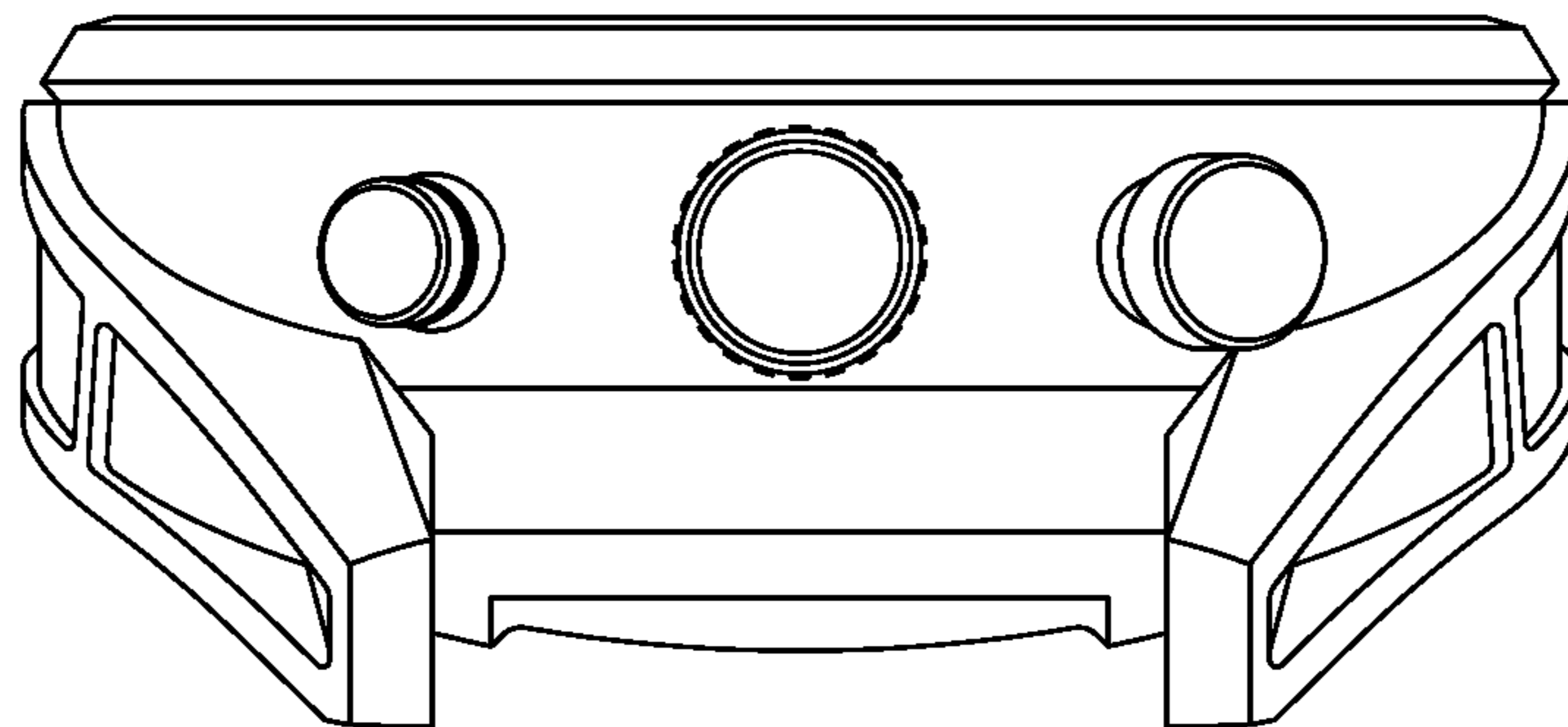


FIG. 6

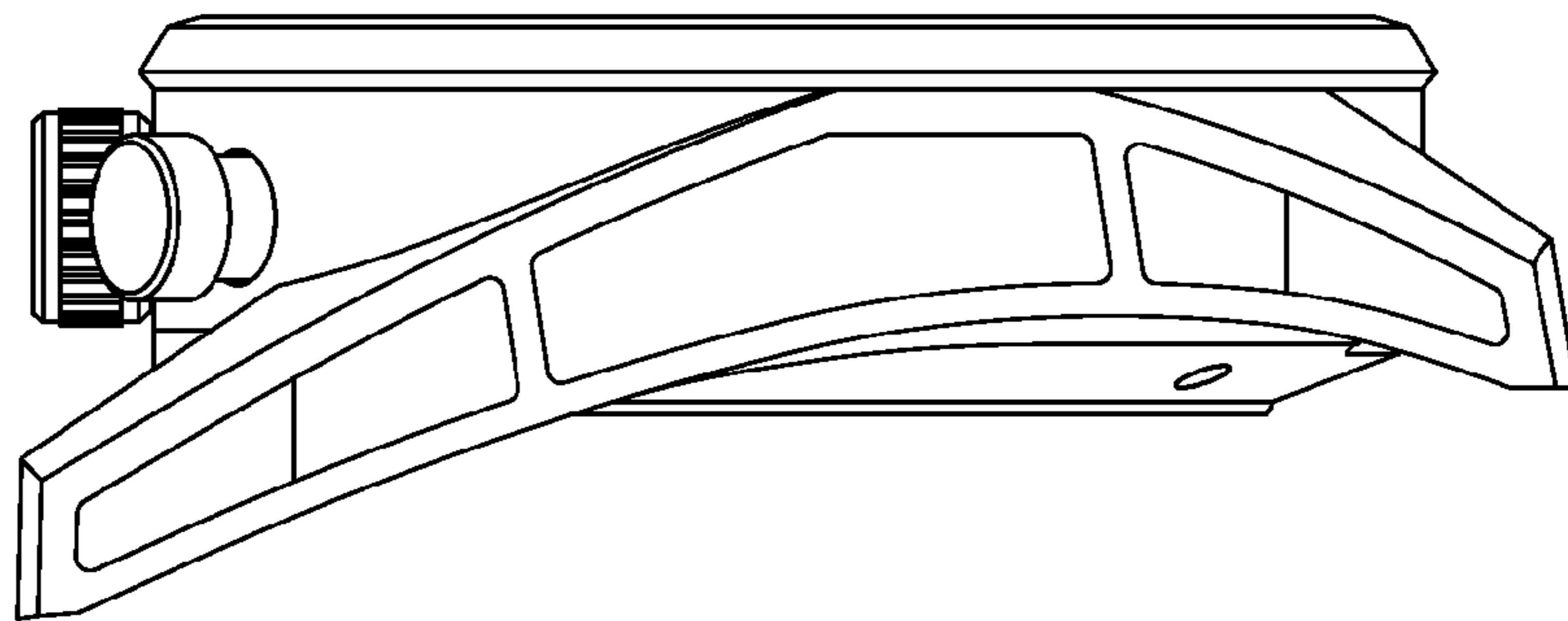


FIG. 7



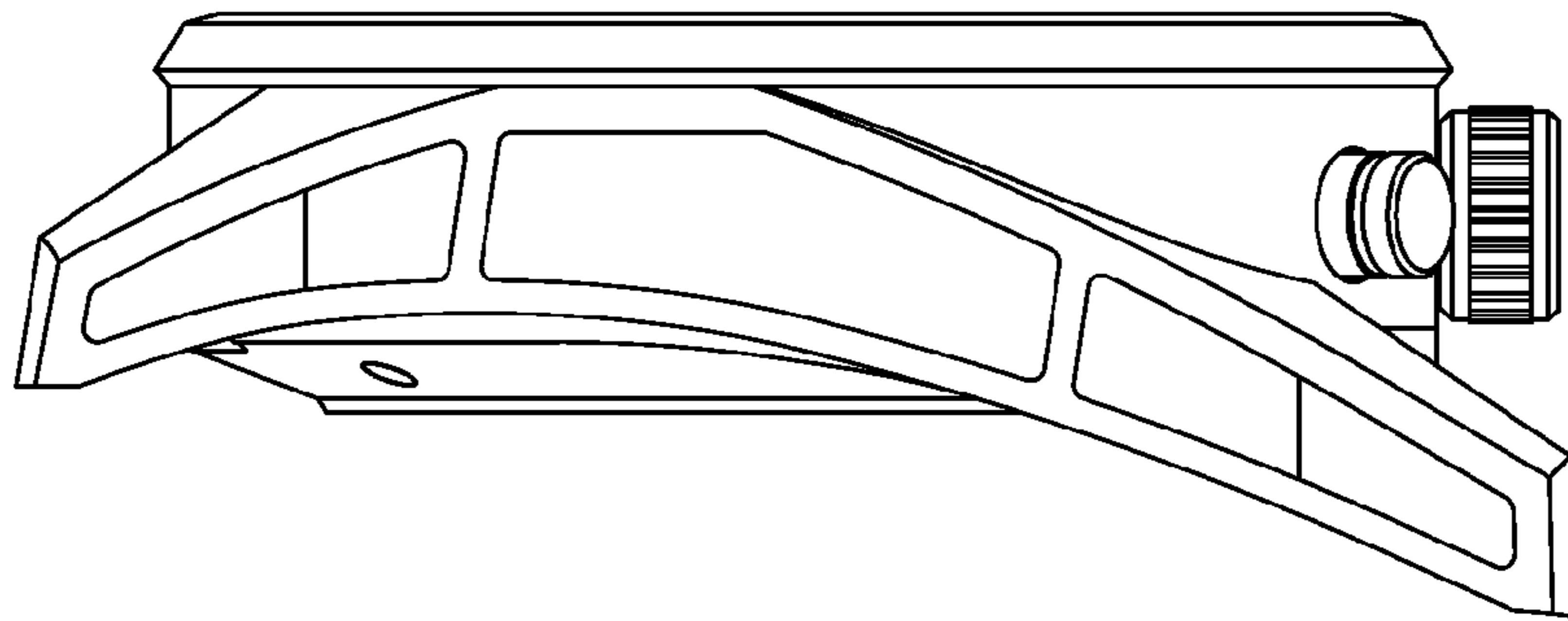


FIG. 8