



US00D736092S

(12) **United States Design Patent**
Delgado Carmona

(10) **Patent No.:** **US D736,092 S**
(45) **Date of Patent:** **** Aug. 11, 2015**

(54) **BOTTLE WITH RABBIT SHAPE**
(71) Applicant: **Dart Industries Inc.**, Orlando, FL (US)
(72) Inventor: **Sara L. Delgado Carmona**, Orlando, FL (US)
(73) Assignee: **Dart Industries Inc.**, Orlando, FL (US)
(**) Term: **14 Years**

D227,512 S * 6/1973 Kantz D21/655
D236,439 S * 8/1975 Gottsegen D9/613
D298,067 S * 10/1988 Bussell D21/655
D302,940 S * 8/1989 Ferrero D9/613
D342,020 S * 12/1993 Orosz et al. D9/607
D355,592 S * 2/1995 Weder et al. D9/613
D460,914 S * 7/2002 Yourist D9/607
D634,627 S * 3/2011 Beard D9/613
D682,112 S * 5/2013 Bourguignon D9/613
D717,662 S * 11/2014 Eble D9/613

* cited by examiner

(21) Appl. No.: **29/512,133**
(22) Filed: **Dec. 17, 2014**
(51) **LOC (10) Cl.** **09-01**
(52) **U.S. Cl.**
USPC **D9/613**
(58) **Field of Classification Search**
USPC D3/270, 271.1-271.4; D7/514-520,
D7/599, 604, 613, 619.2, 623, 628;
D9/600-601, 605, 607-613; 206/457,
206/459.5, 527; 215/387-388, 381-384,
215/400; D21/655
CPC B65D 5/4258; B65D 81/60; B65D 81/365;
B65D 81/366; B65D 81/368; B65D 2203/00;
B65D 2203/02
See application file for complete search history.

Primary Examiner — Sandra Morris
(74) *Attorney, Agent, or Firm* — Taylor J. Ross

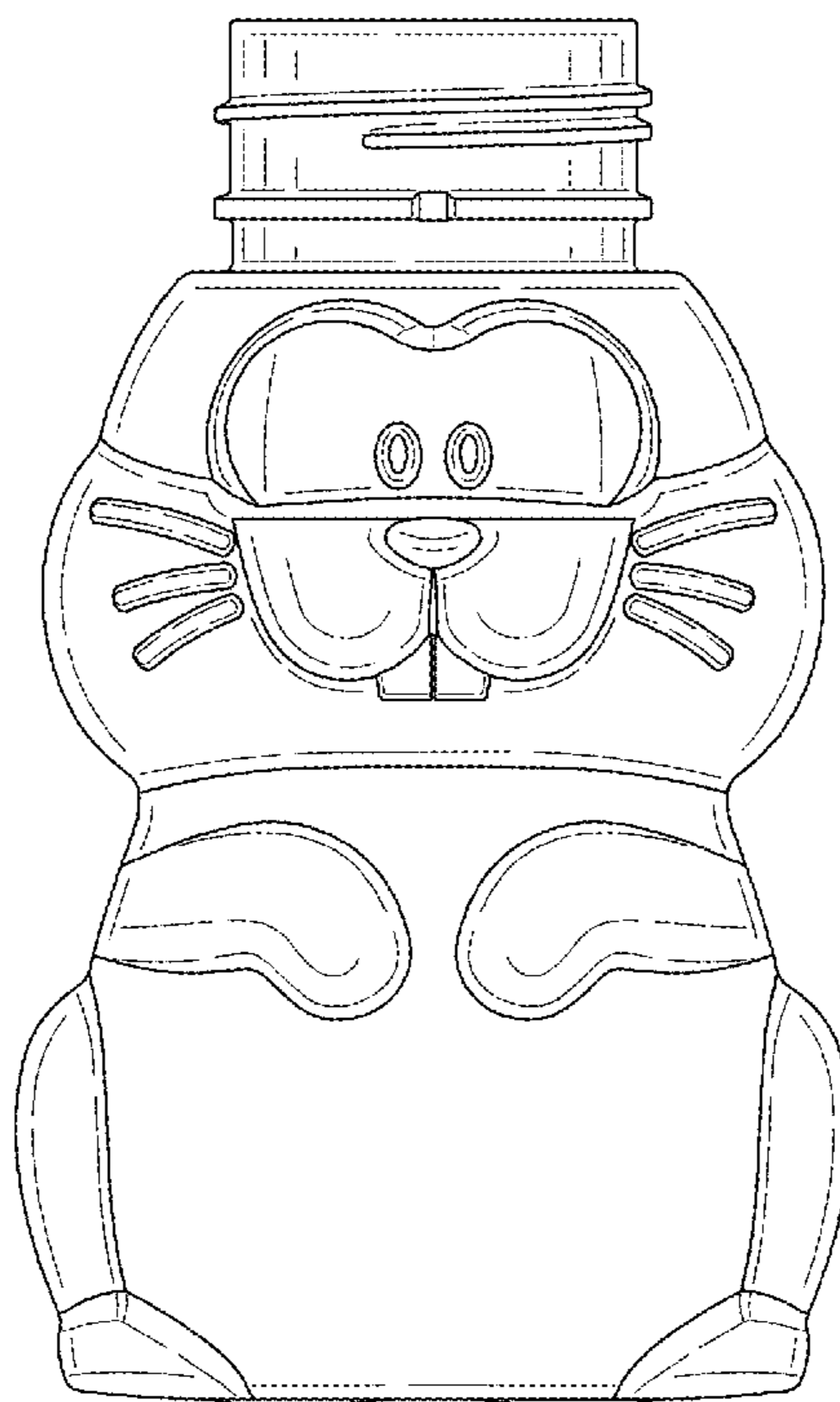
(57) **CLAIM**
The ornamental design for a bottle with rabbit shape, as shown and described.

DESCRIPTION

FIG. 1 is a top, front and left side perspective view of a bottle with rabbit shape showing my new design;
FIG. 2 is a bottom, rear and left side perspective view thereof;
FIG. 3 is a top plan view thereof;
FIG. 4 is a bottom plan view thereof;
FIG. 5 is a front elevation view thereof;
FIG. 6 is a rear elevation view thereof;
FIG. 7 is a left side elevation view, the right side being a mirror image thereof;
FIG. 8 is a cross-sectional view taken along line 8-8 of FIG. 3; and,
FIG. 9 is a cross-sectional view along line 9-9 of FIG. 3.

(56) **References Cited**
U.S. PATENT DOCUMENTS
D167,375 S * 7/1952 Rioux D9/613
D216,287 S * 12/1969 Peters D21/655

1 Claim, 7 Drawing Sheets



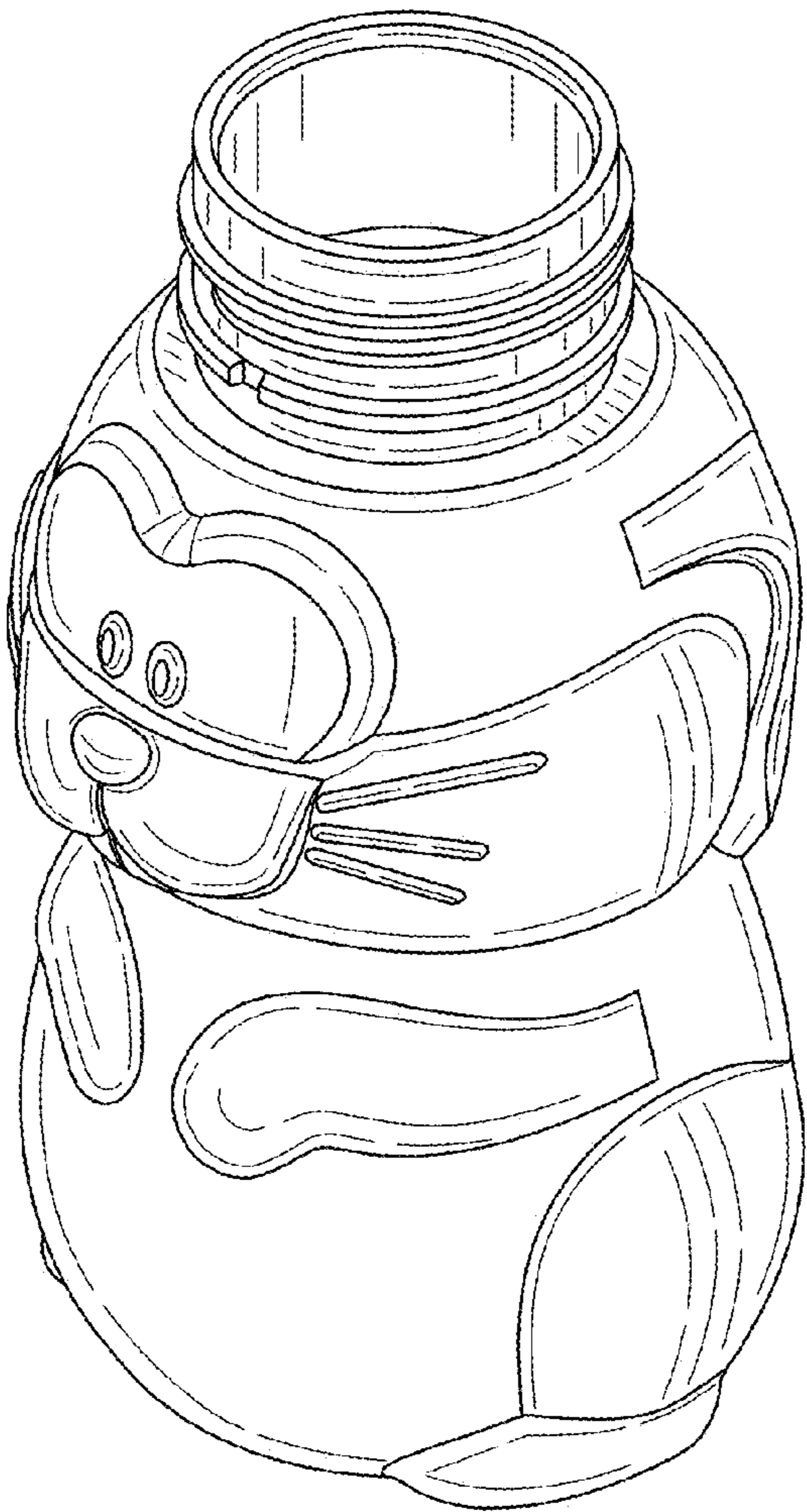


FIG. 1

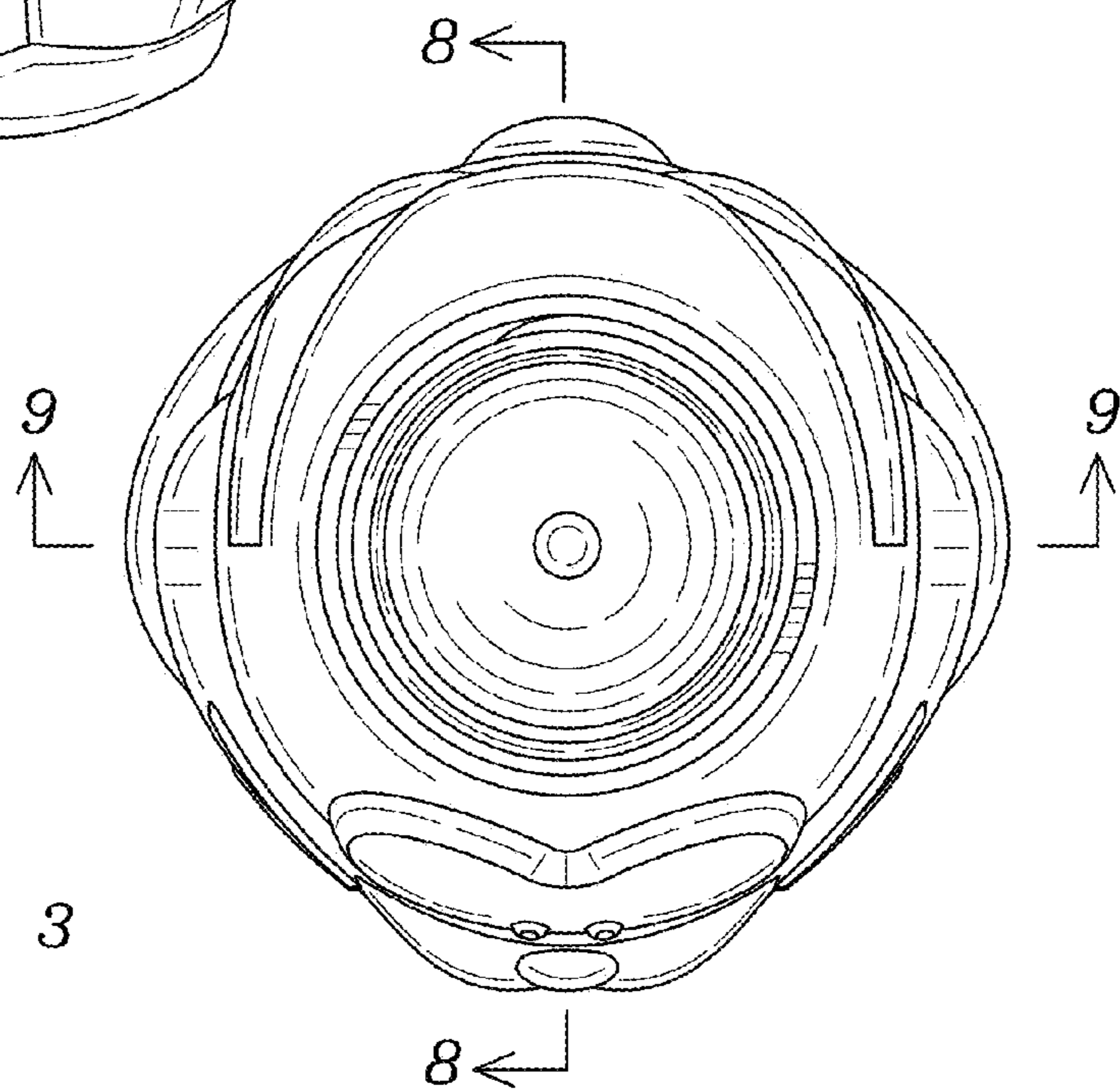


FIG. 3

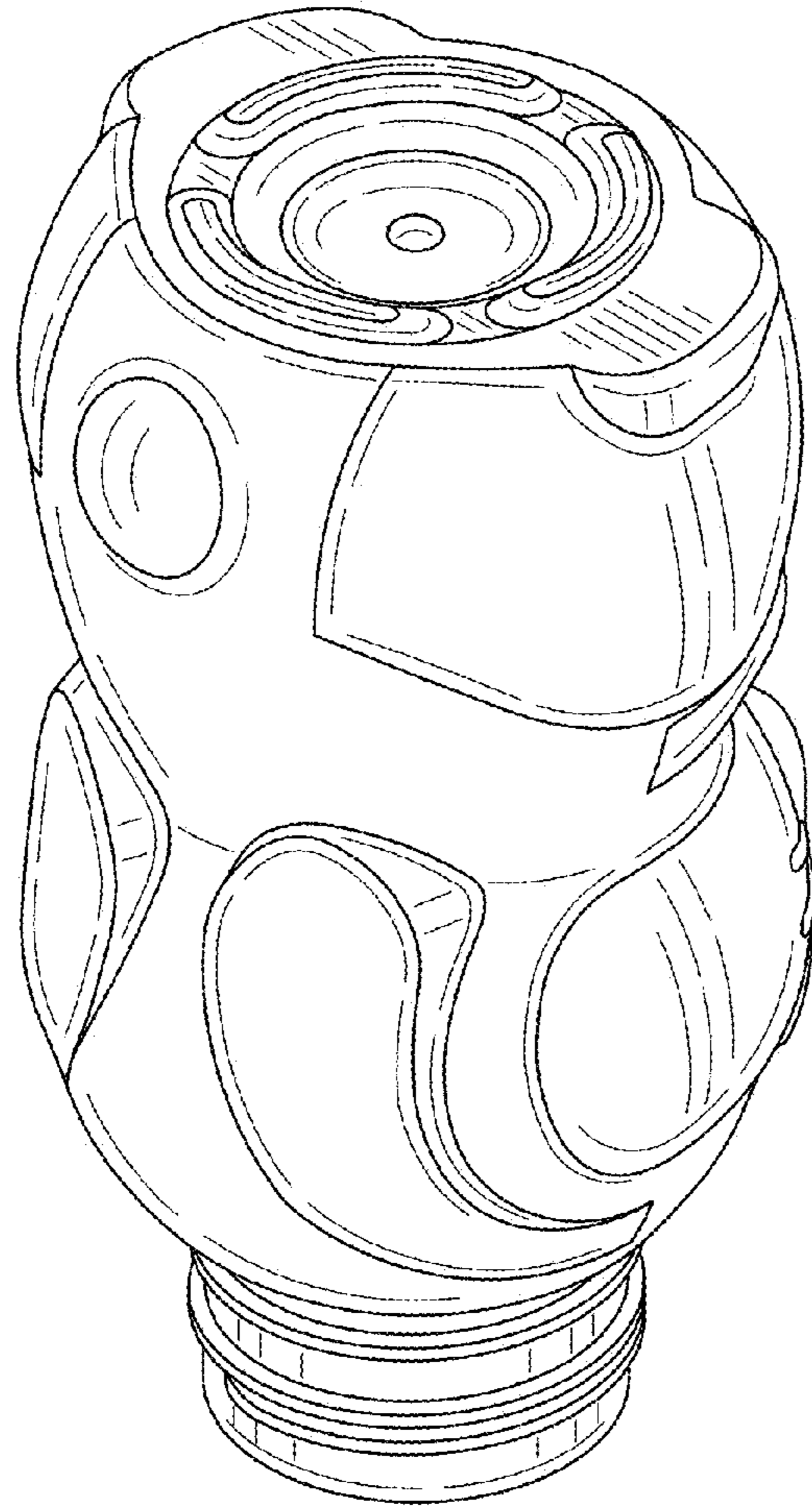


FIG. 2

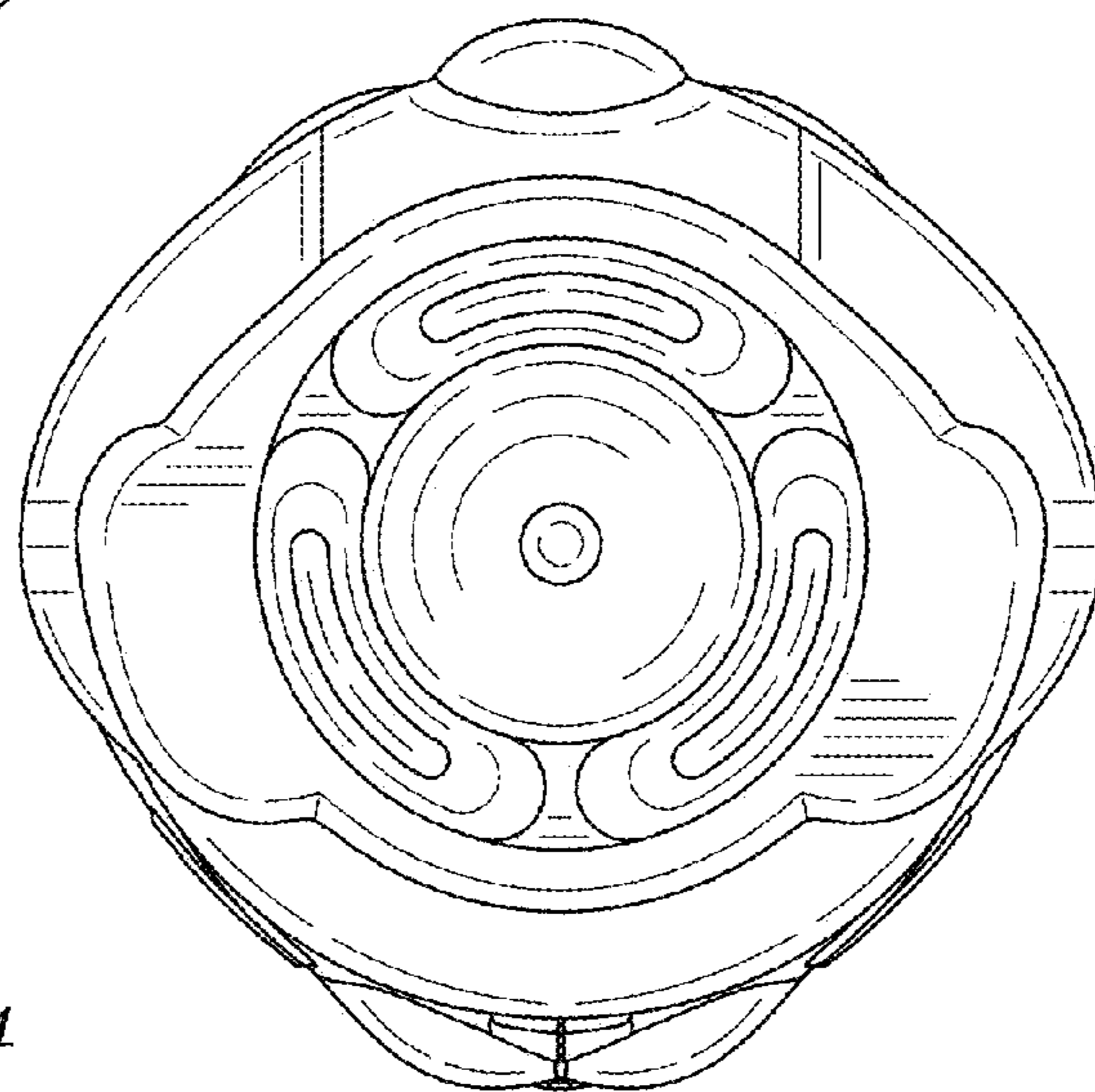


FIG. 4

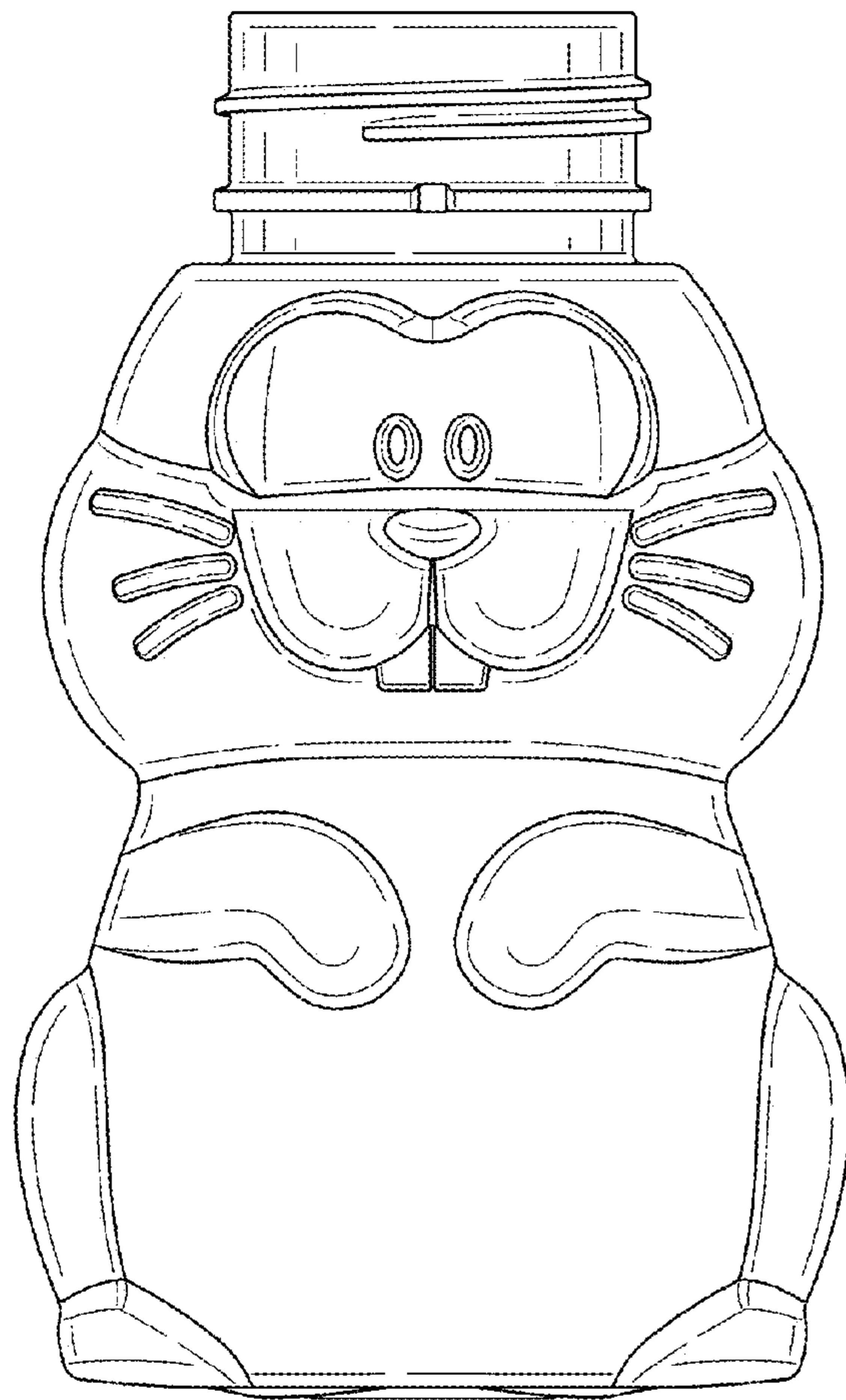


FIG. 5

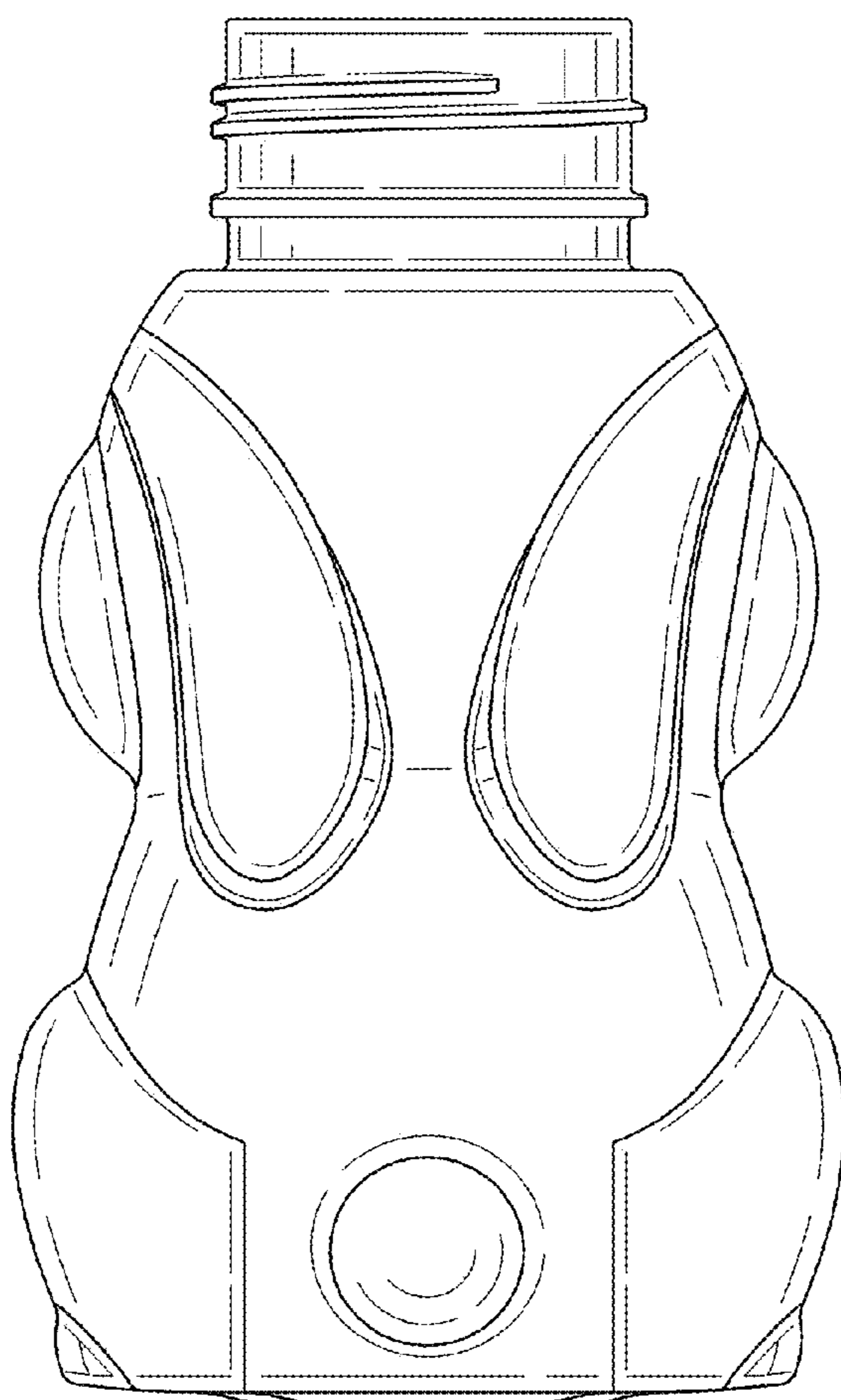


FIG. 6

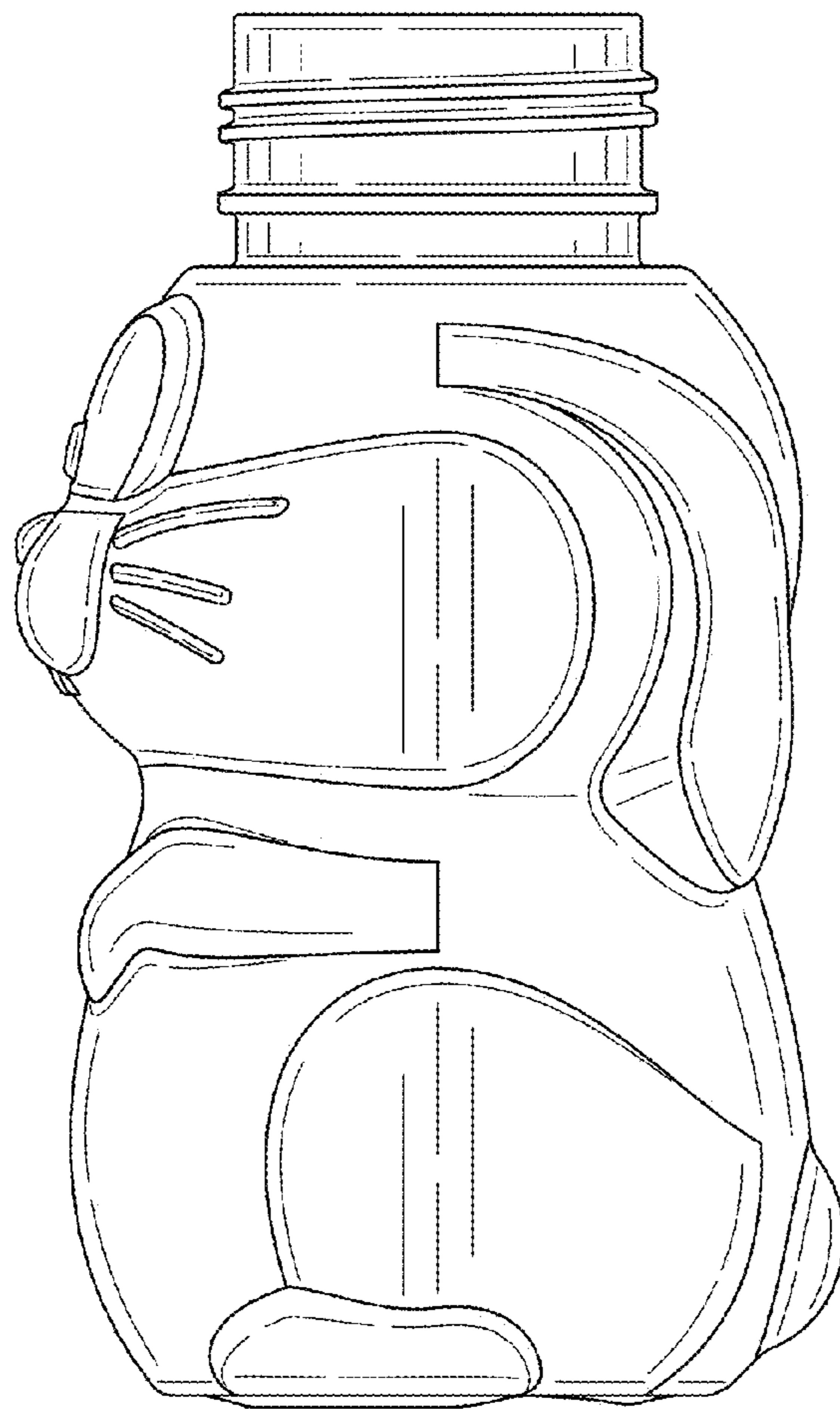


FIG. 7

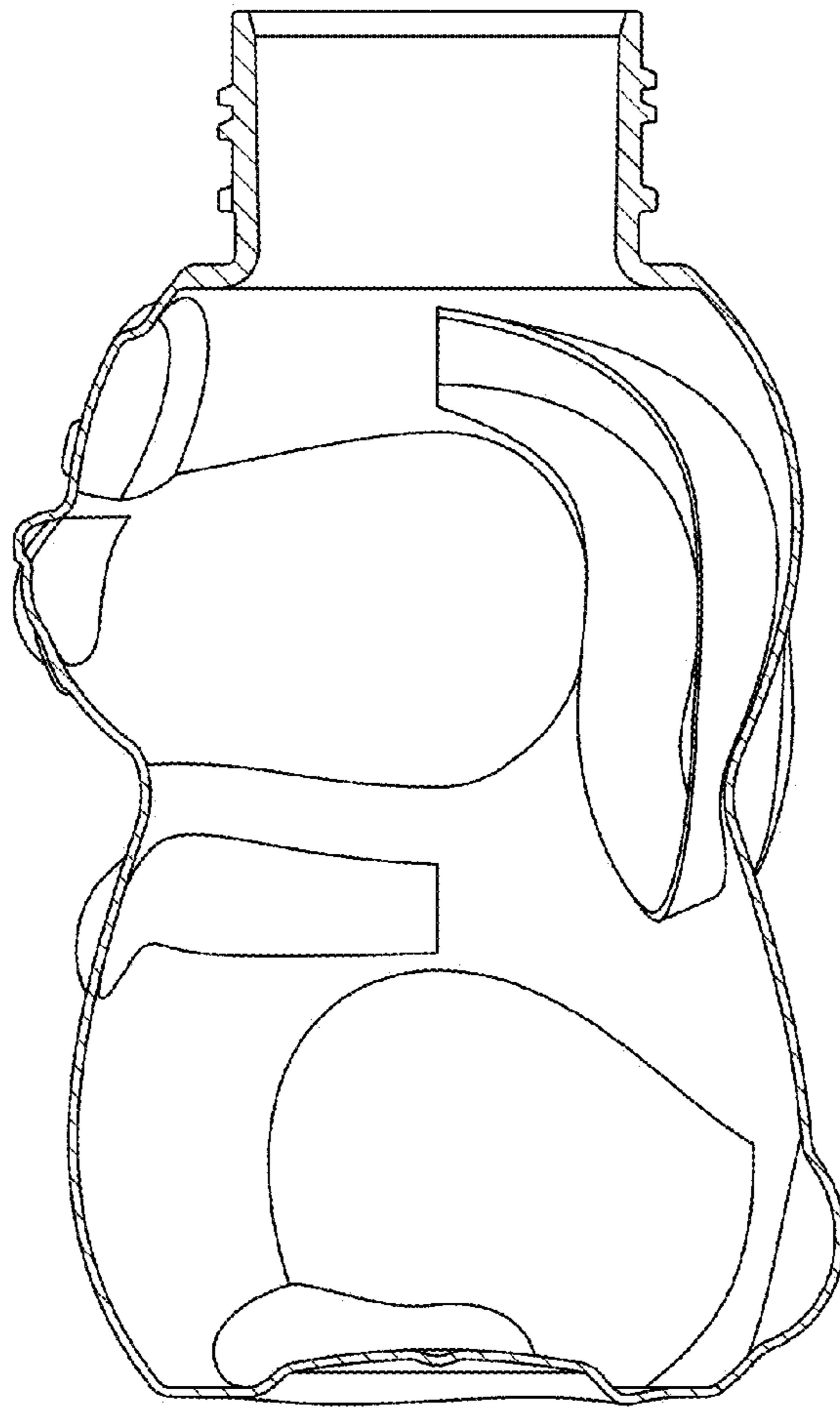


FIG. 8

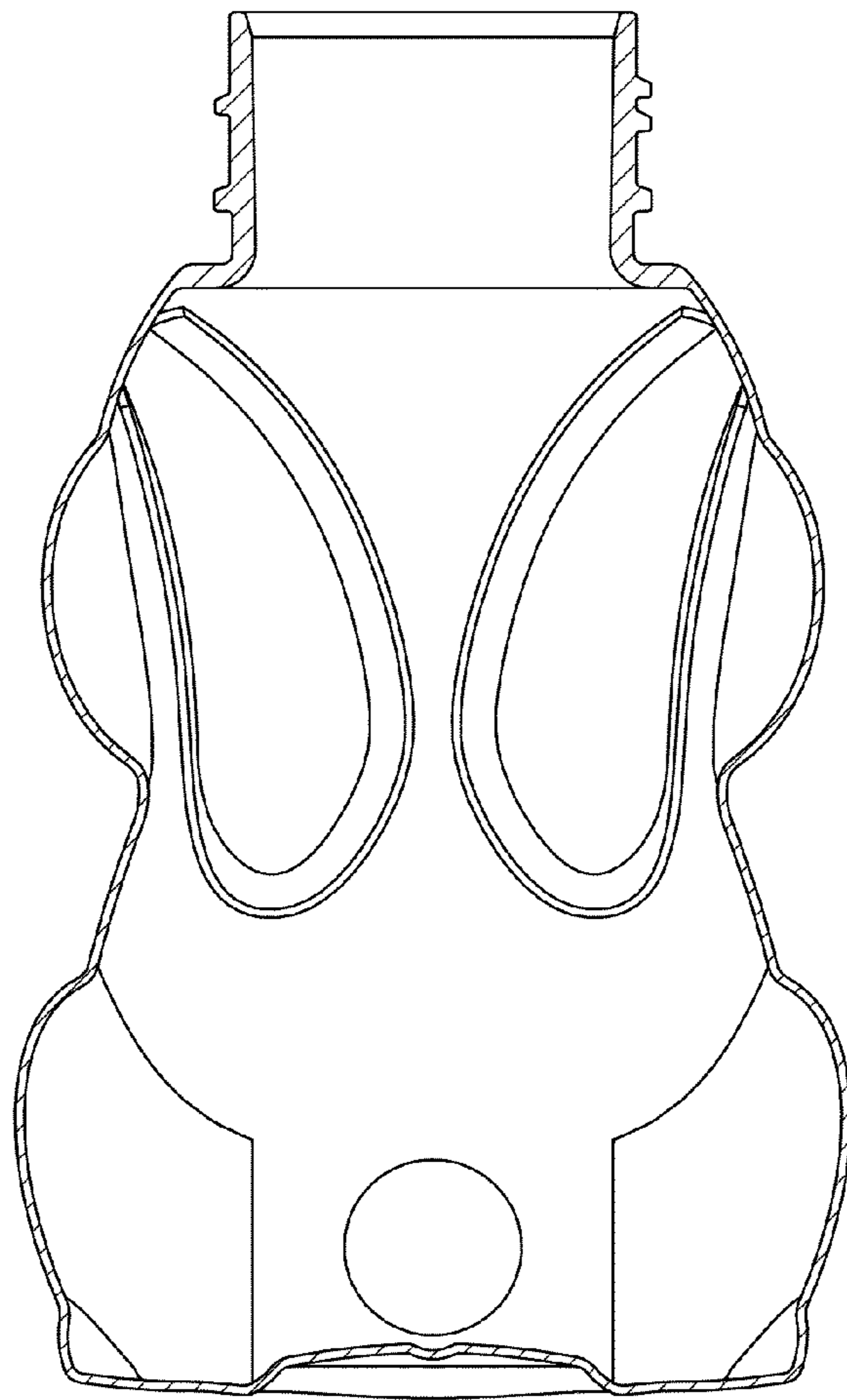


FIG. 9